

[54] VIDEO EQUIPMENT BAG

[75] Inventors: Greg E. Lowe, Boulder; Harold A. Jordan, Littleton, both of Colo.

[73] Assignee: Lowe Alpine Systems, Inc., Lafayette, Colo.

[**] Term: 14 Years

[21] Appl. No.: 560,813

[22] Filed: Dec. 13, 1983

[52] U.S. Cl. D3/33; D3/32; D3/48; D3/71

[58] Field of Search D3/30.1, 32, 33, 35, D3/36, 48, 71, 76, 77; 244/209, 153; 150/52 R; 190/100; 206/316

[56] References Cited

U.S. PATENT DOCUMENTS

- D. 249,594 9/1978 Stewart D3/32
- D. 268,711 4/1983 Putcalt D3/33
- D. 273,534 4/1984 Weinreb D3/33

- D. 278,190 4/1985 Ganz D3/33
- 4,059,207 11/1977 Jackson et al. 224/153

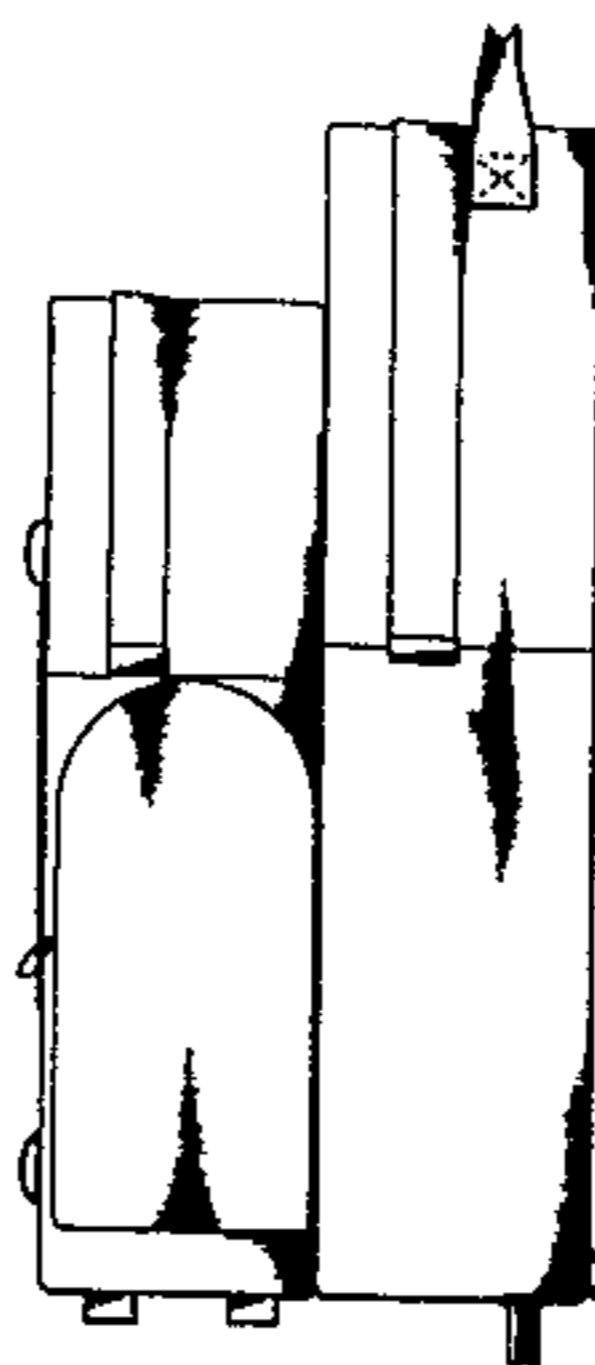
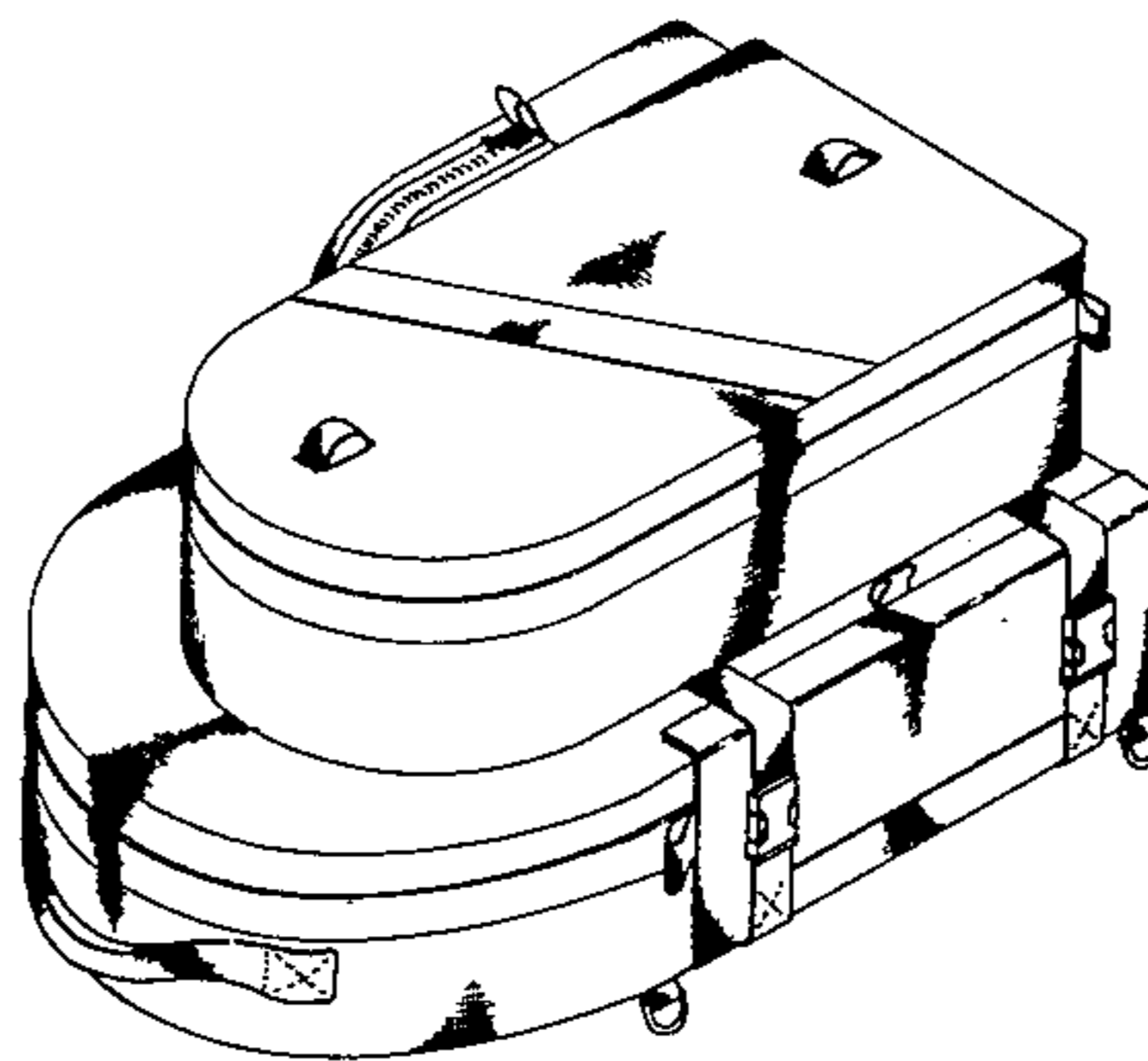
Primary Examiner—George P. Word
Attorney, Agent, or Firm—O'Rourke & Harris

[57] CLAIM

The ornamental design for a video equipment bag, as shown and described.

DESCRIPTION

FIG. 1 is a perspective view of a video equipment bag, showing our new design;
 FIG. 2 is a front elevational view thereof;
 FIG. 3 is a right side elevational view thereof;
 FIG. 4 is a top plan view thereof;
 FIG. 5 is a left side elevational view thereof;
 FIG. 6 is a rear elevational view thereof, the shoulder strap shown in dotted lines being for illustrative purposes only;
 FIG. 7 is a bottom plan view thereof; and
 FIG. 8 is a rear elevational view with the rear compartment open, the shoulder harness shown in dotted lines being for illustrative purposes only.



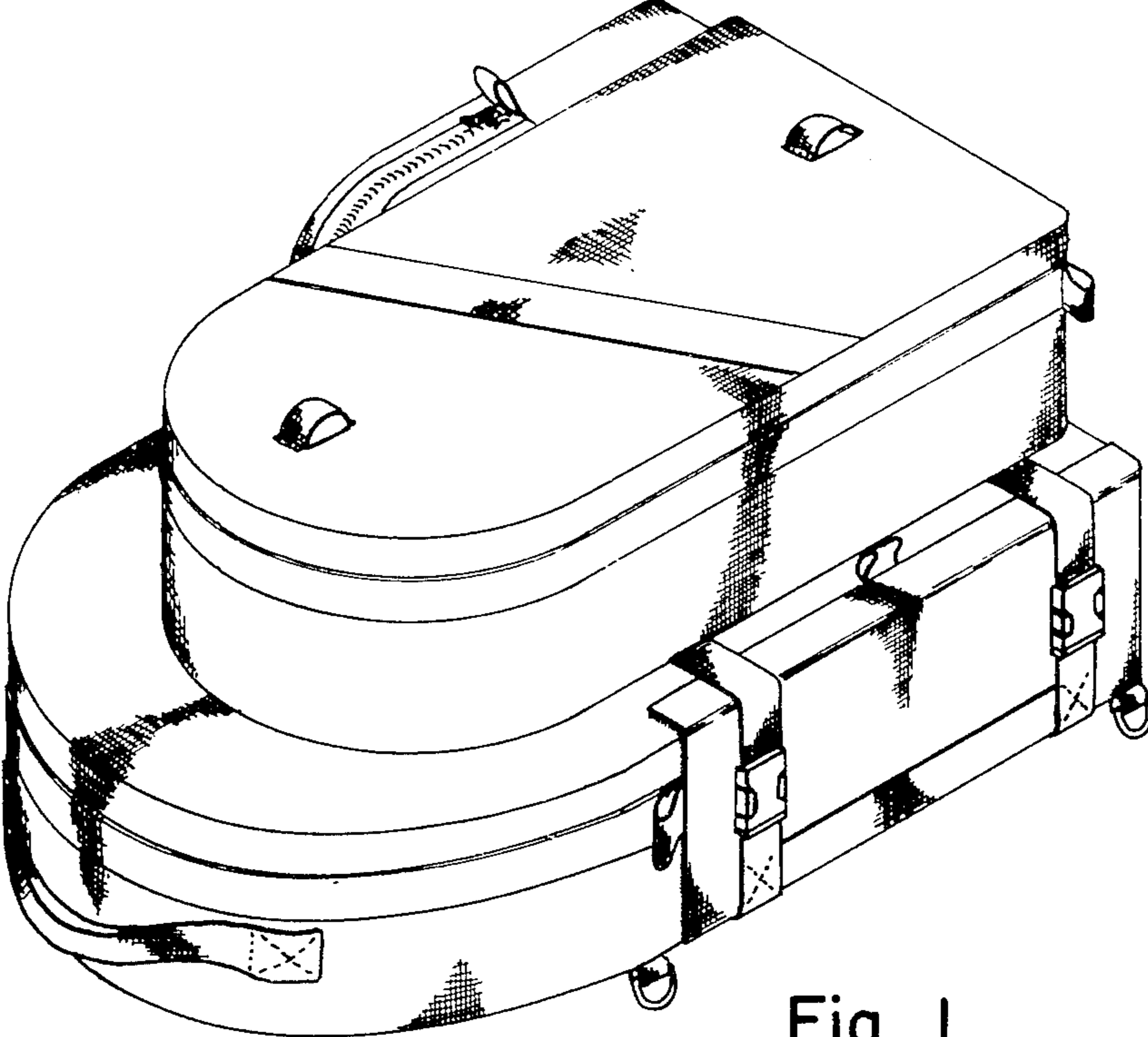


Fig. 1

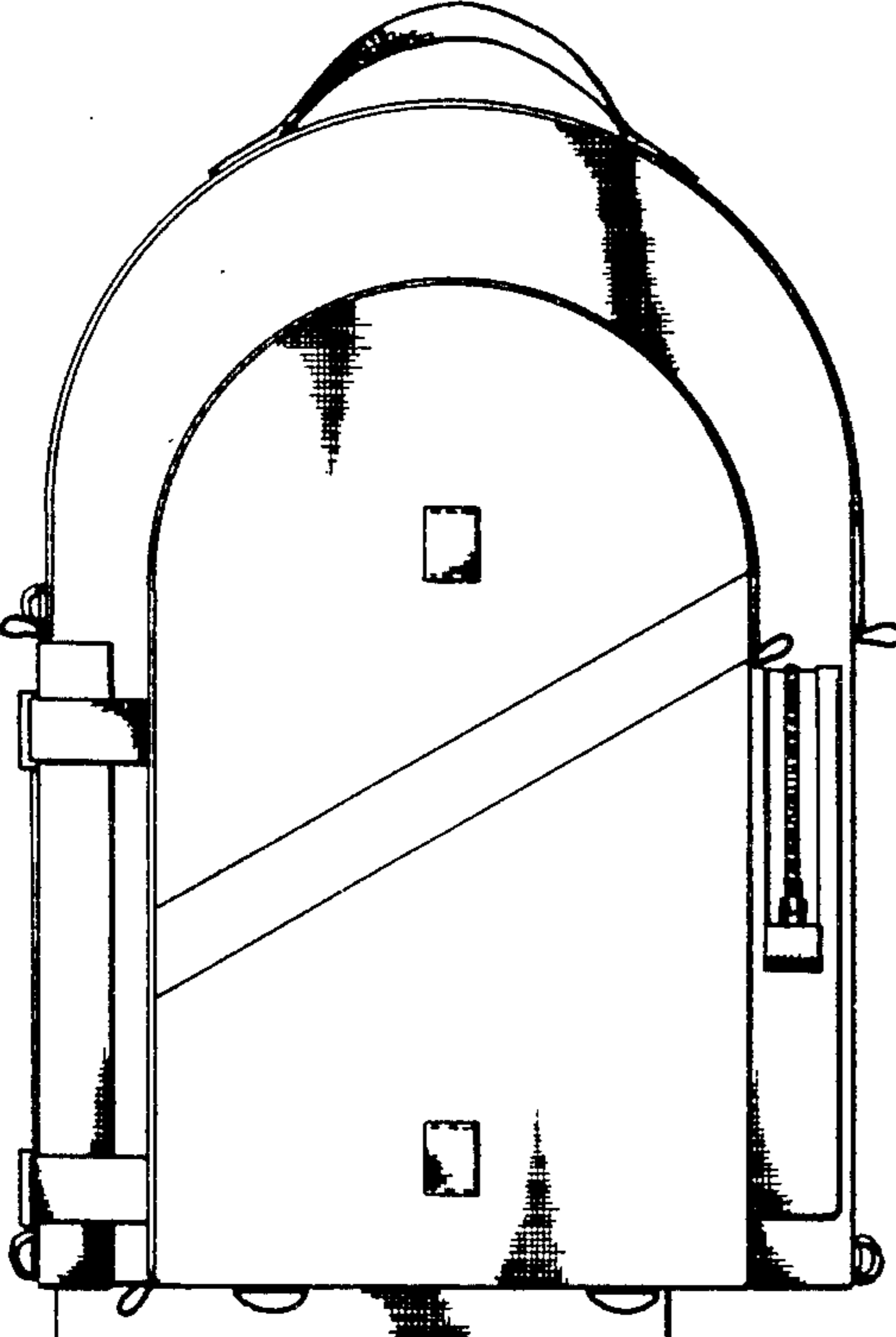


Fig. 2

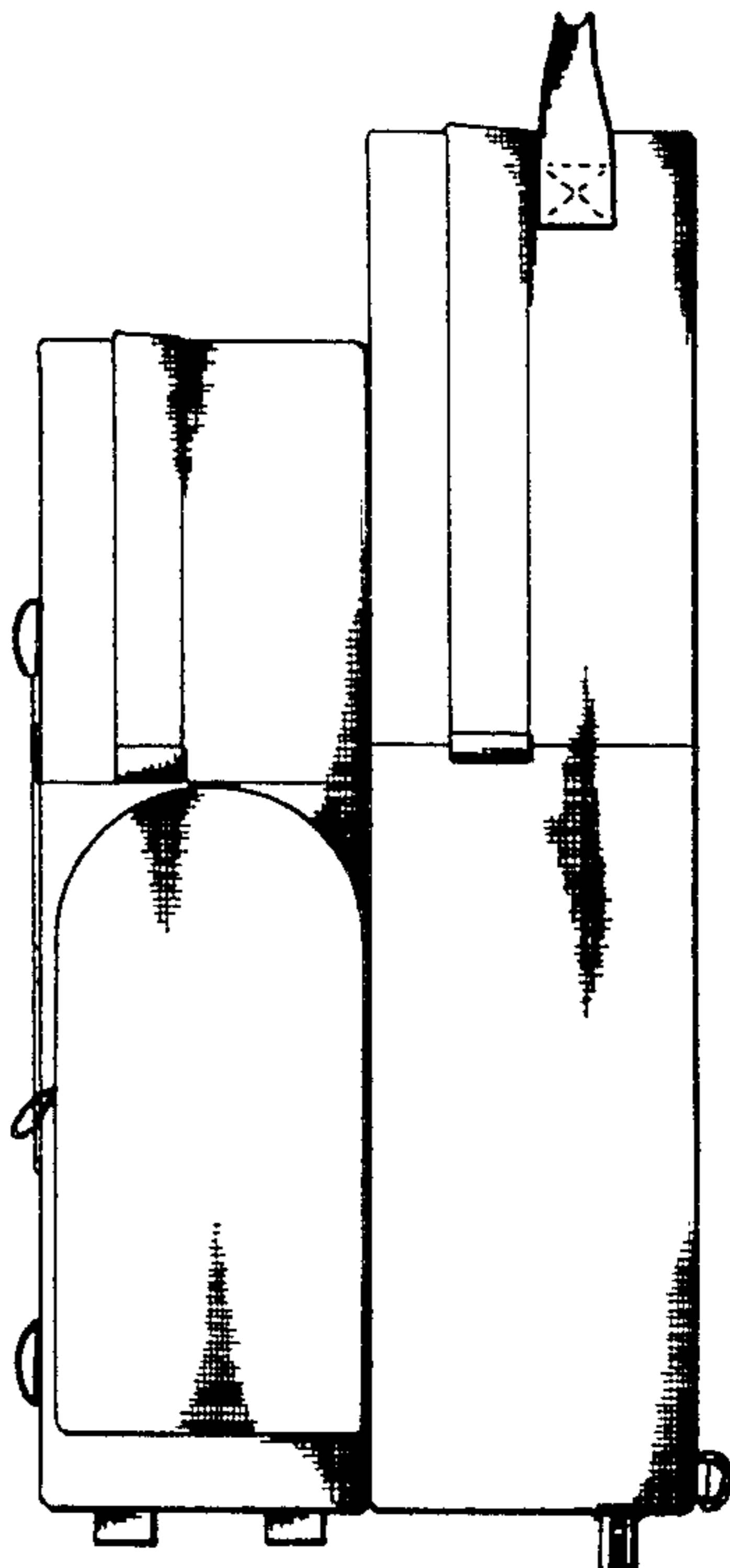


Fig. 3

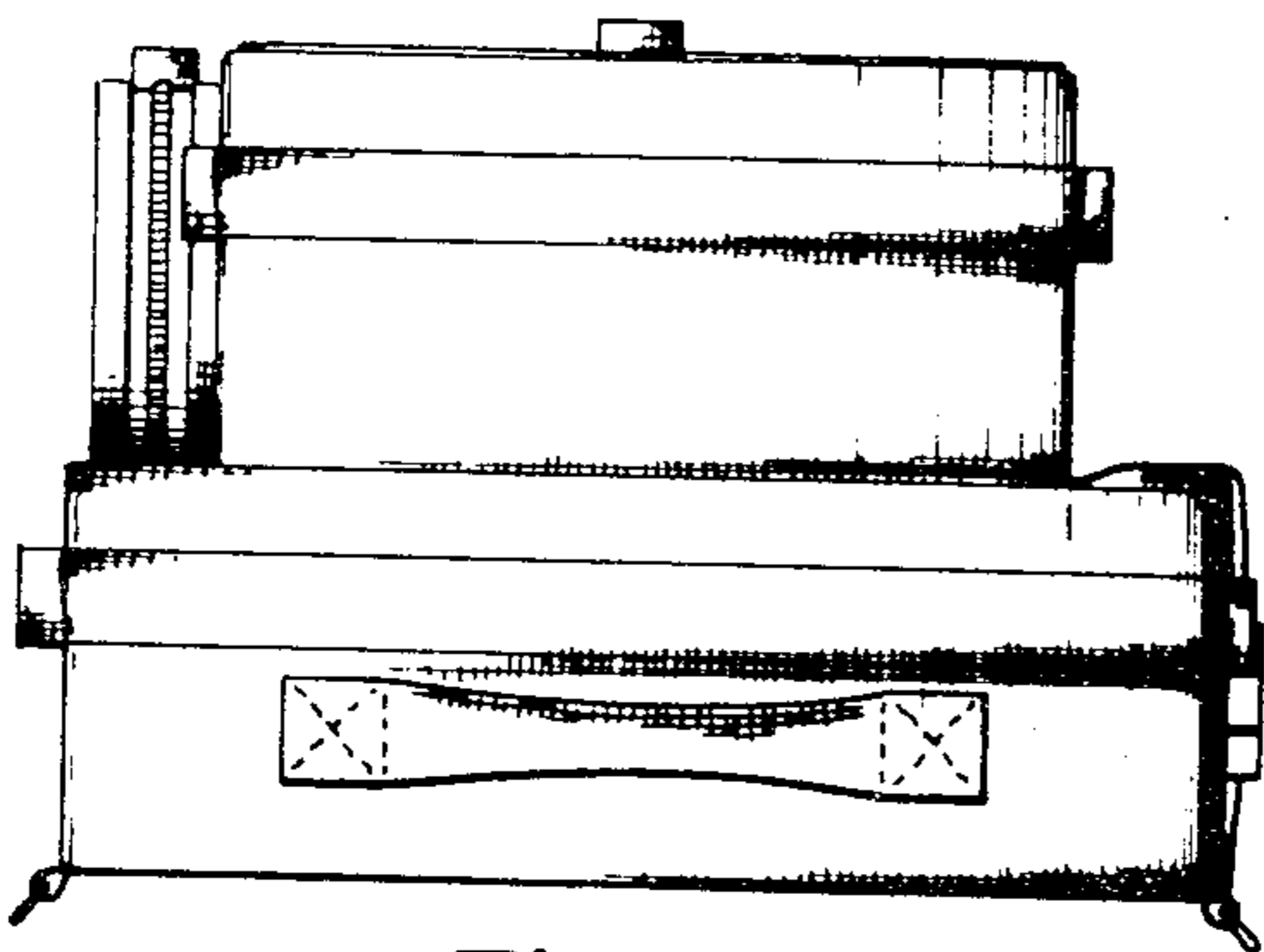


Fig. 4

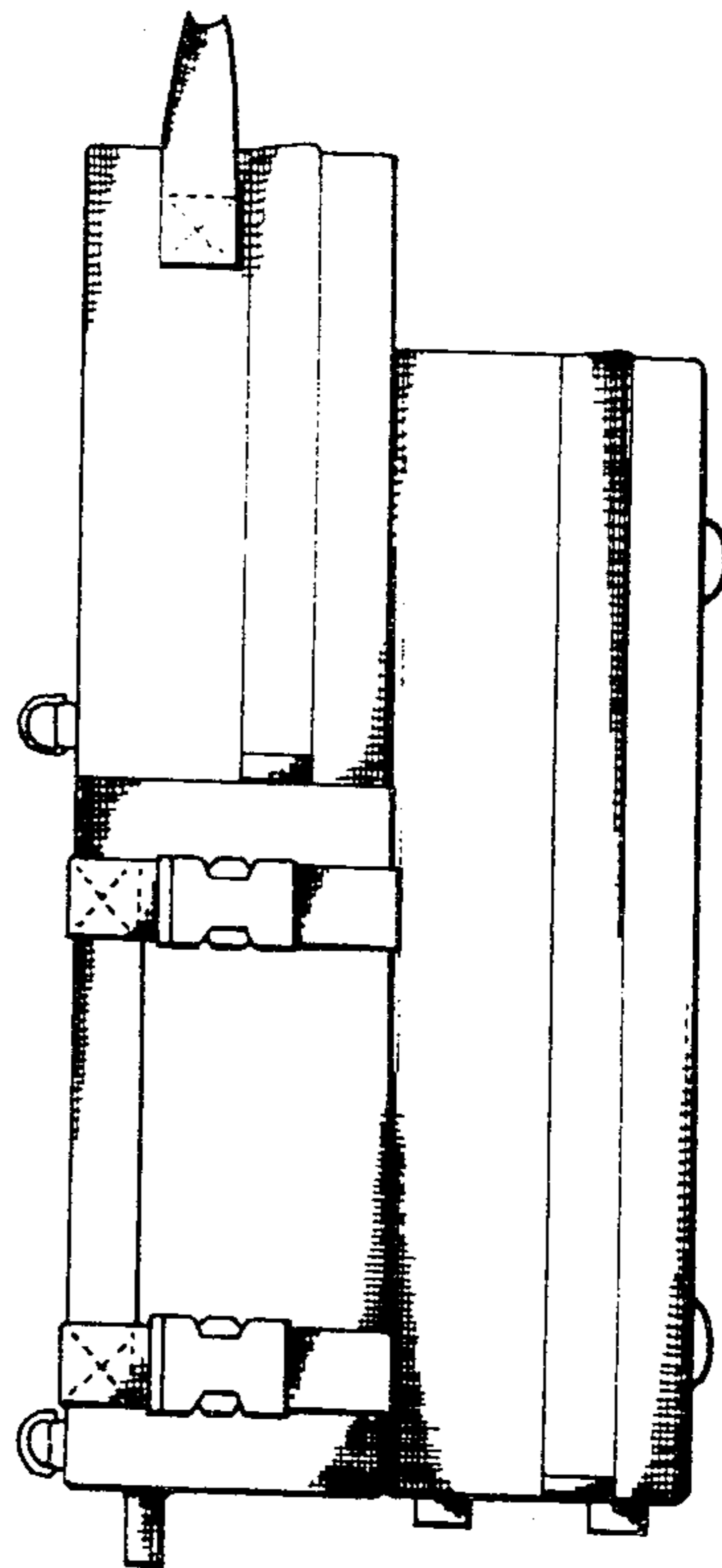


Fig. 5

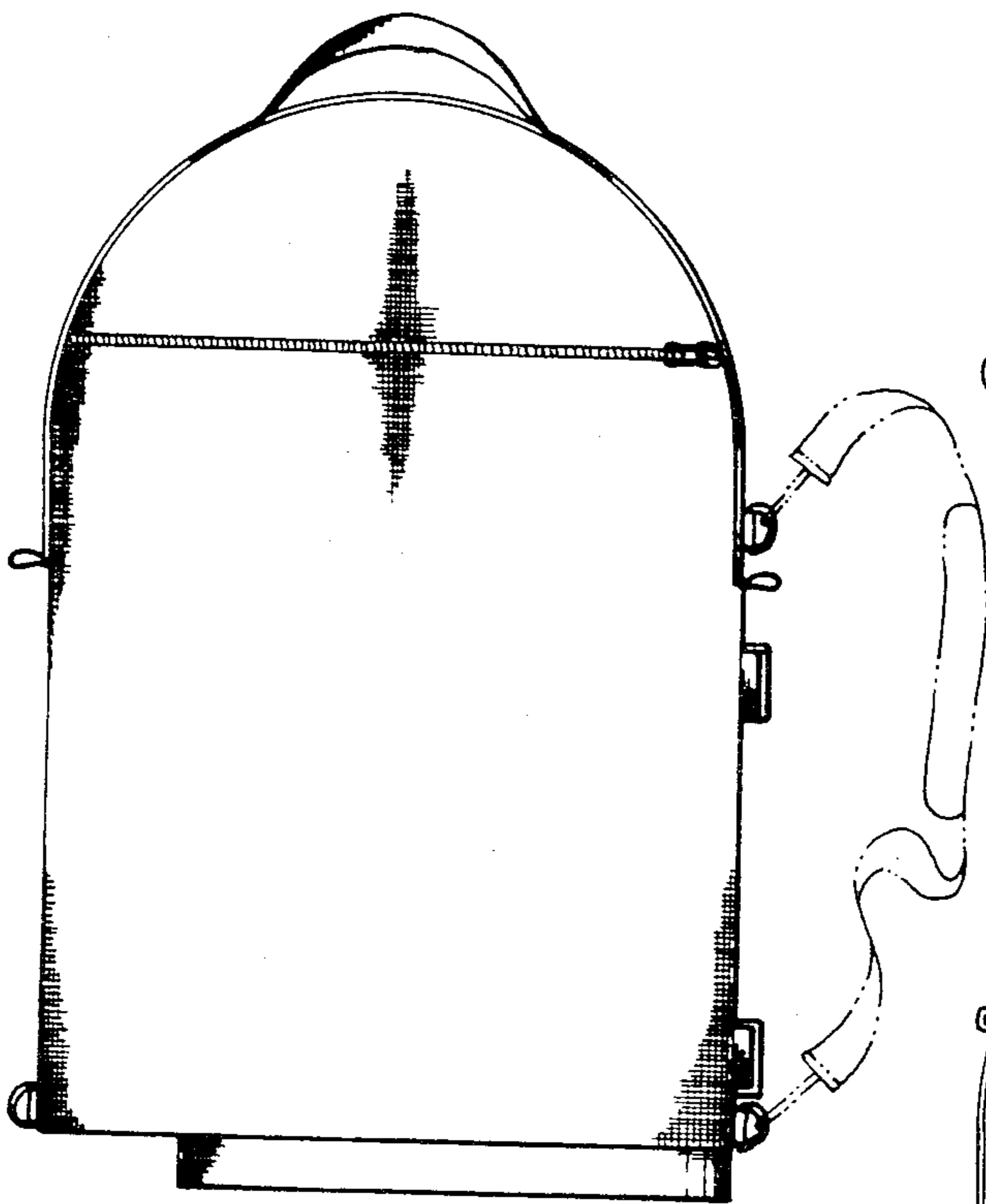


Fig. 6

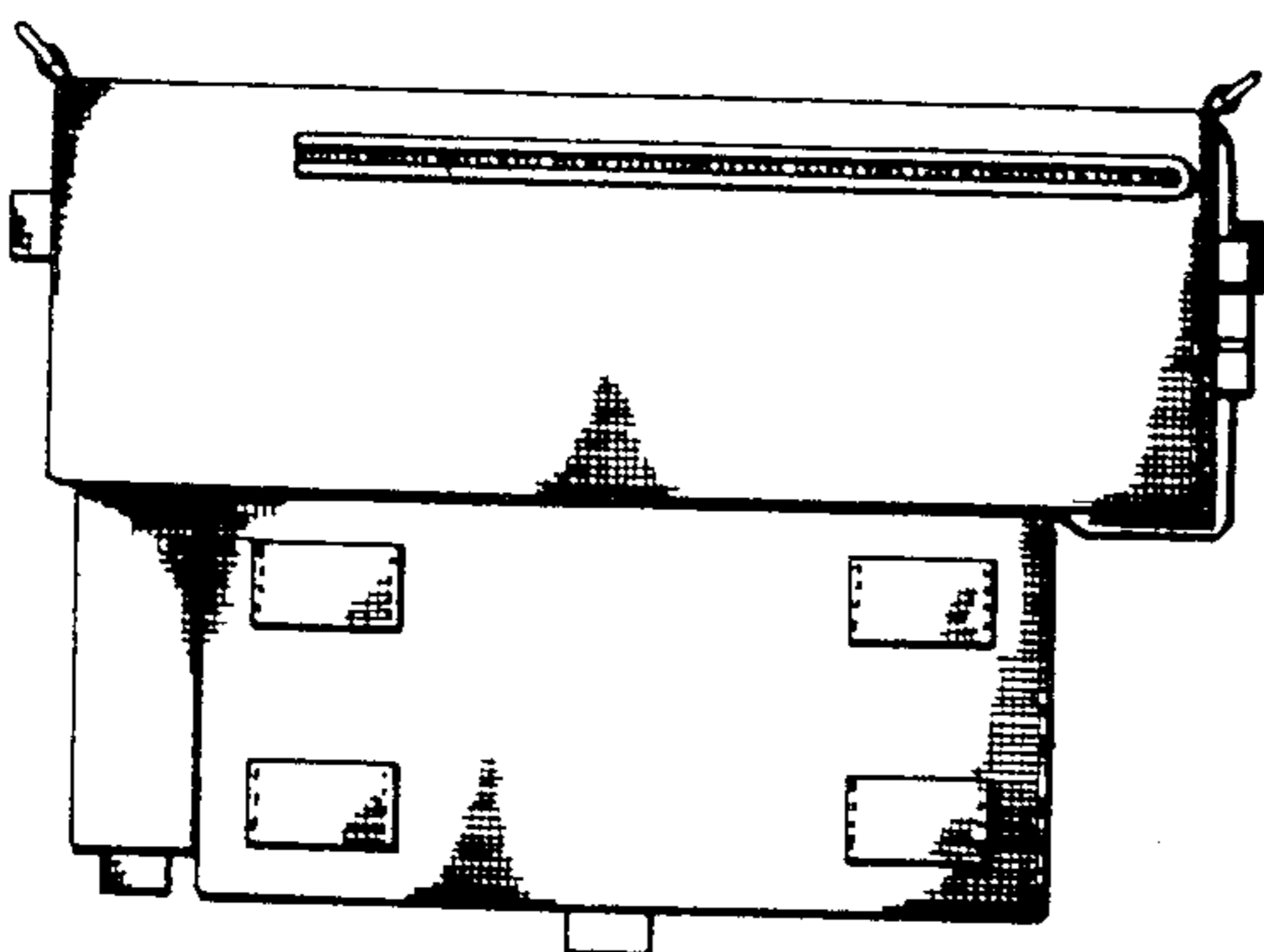


Fig. 7

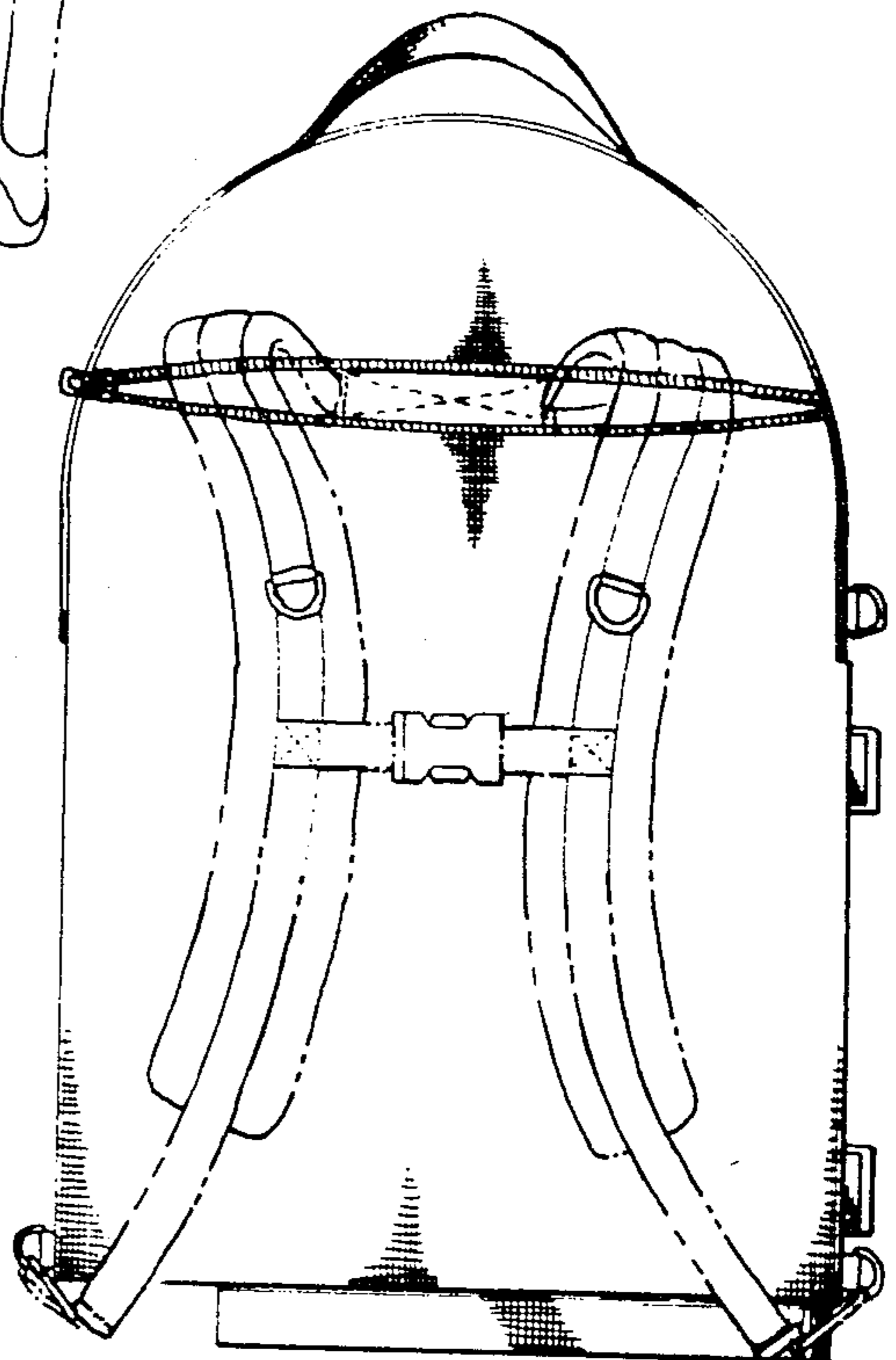


Fig. 8