

[54] COIN PACKAGE

[76] Inventor: Fred J. Povitz, c/o Corporation
Universel d'Emballage/Universal
Package Corporation, 240 Bates Rd.,
Mount Royal, Quebec, Canada, H36
1A3

[**] Term: 14 Years

[21] Appl. No.: 553,985

[22] Filed: Nov. 21, 1983

[30] Foreign Application Priority Data

Sep. 21, 1983 [CA] Canada 21-09-83-2

[52] U.S. Cl. D99/34

[58] Field of Search D99/28, 34; D9/341,
D9/347; 206/557, 562-564; 229/92.9

[56] References Cited

U.S. PATENT DOCUMENTS

- 374,149 11/1887 Foster 206/81
- 636,614 11/1899 Bach 229/92.9
- 986,075 3/1911 Menighan 232/4 R

- 1,926,481 9/1933 Fox 206/562
- 2,139,150 12/1938 Curtis et al. 29/92.9
- 2,986,438 5/1961 Smathers et al. 206/564 X

FOREIGN PATENT DOCUMENTS

D40197 1/1976 Canada .

Primary Examiner—Charles A. Rademaker

Assistant Examiner—Terry Pfeffer

Attorney, Agent, or Firm—Stevens, Davis, Miller &
Mosher

[57] CLAIM

The ornamental design for a coin package, as shown
and described.

DESCRIPTION

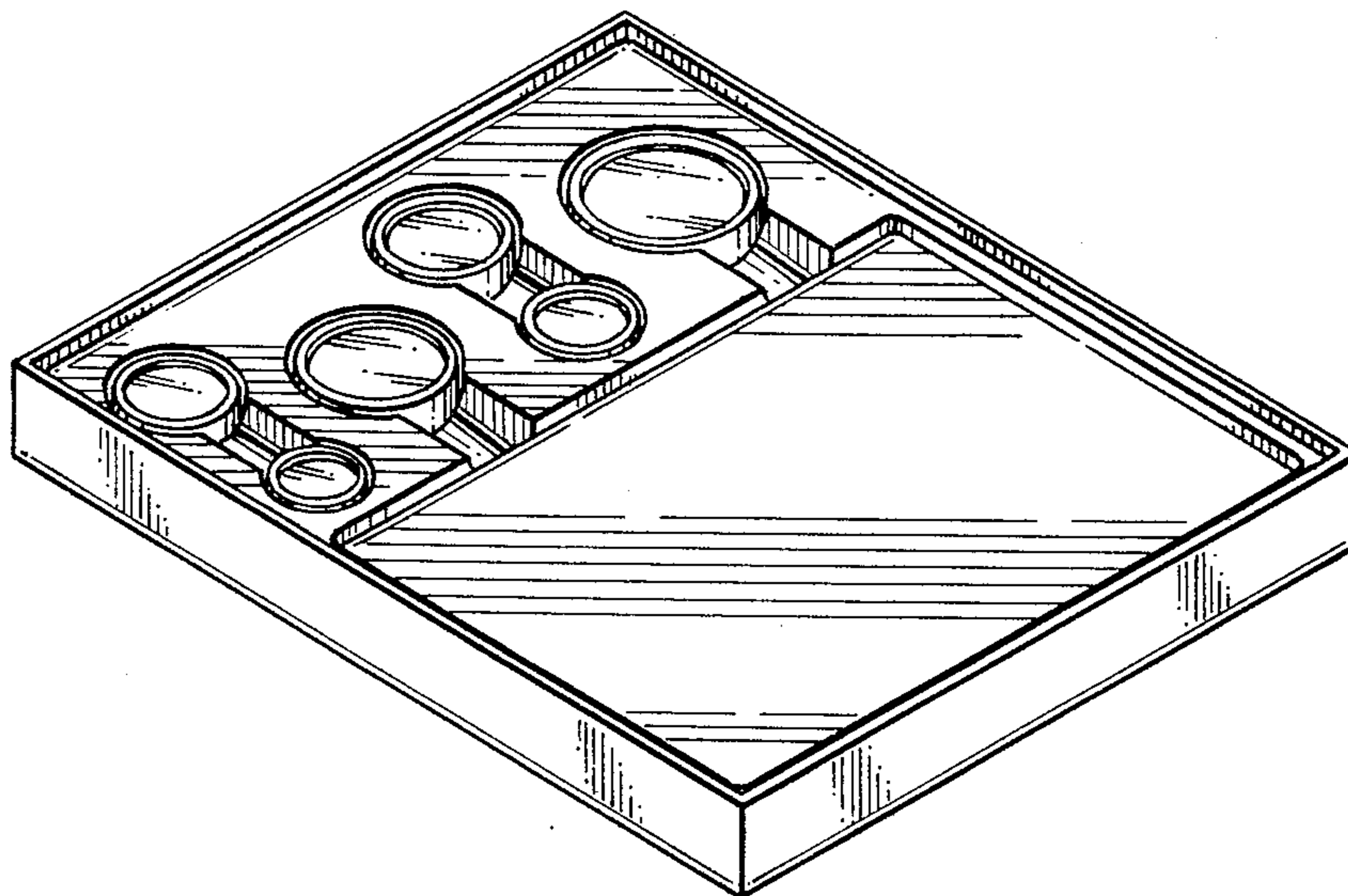
FIG. 1 is a top front, right side perspective view of a
coin package showing my new design;

FIG. 2 is a top plan view thereof;

FIG. 3 is a front elevational view thereof, the opposite
side being a mirror image;

FIG. 4 is a left side elevational view thereof; and

FIG. 5 is a bottom plan view thereof.



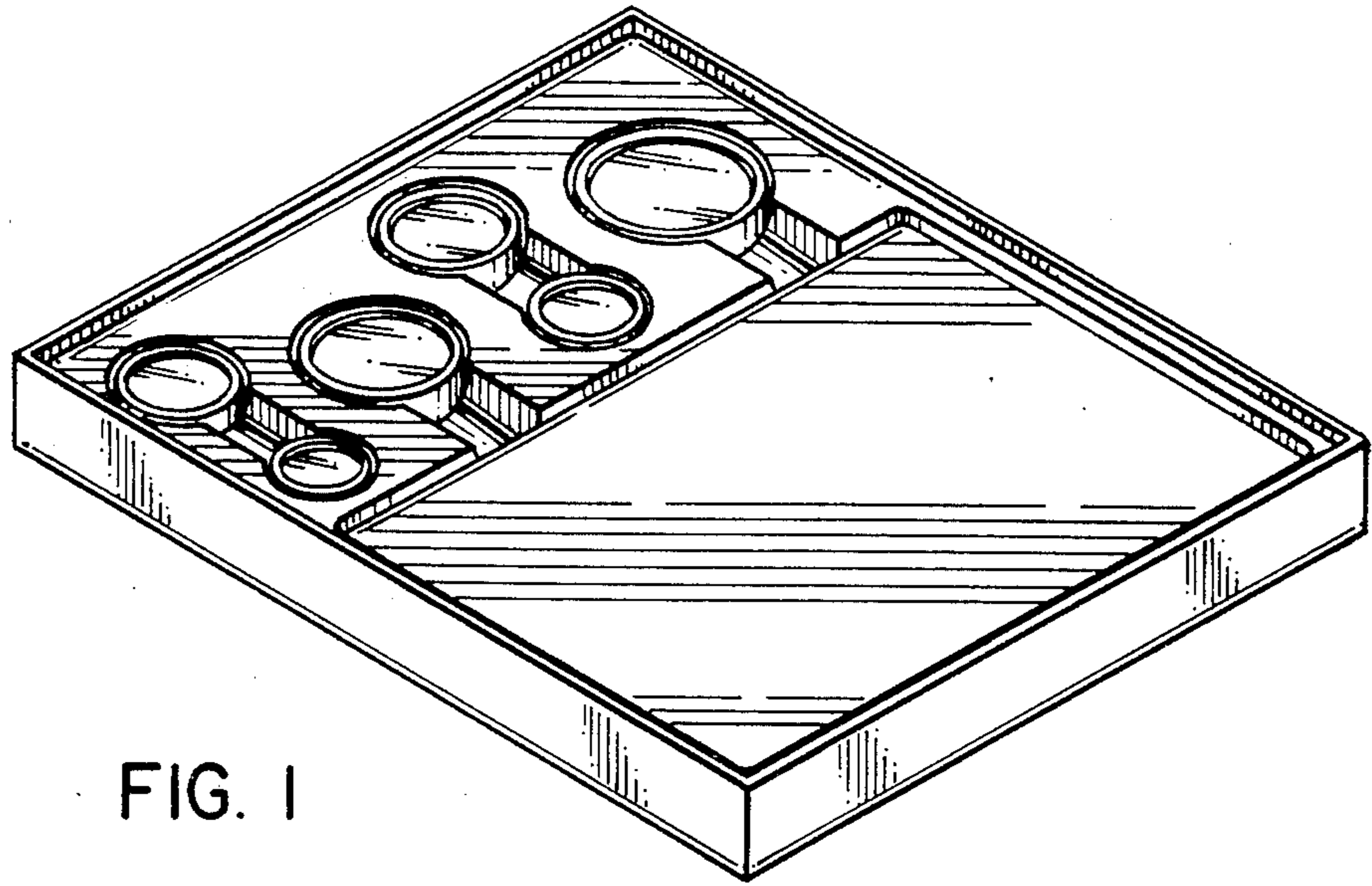


FIG. 1

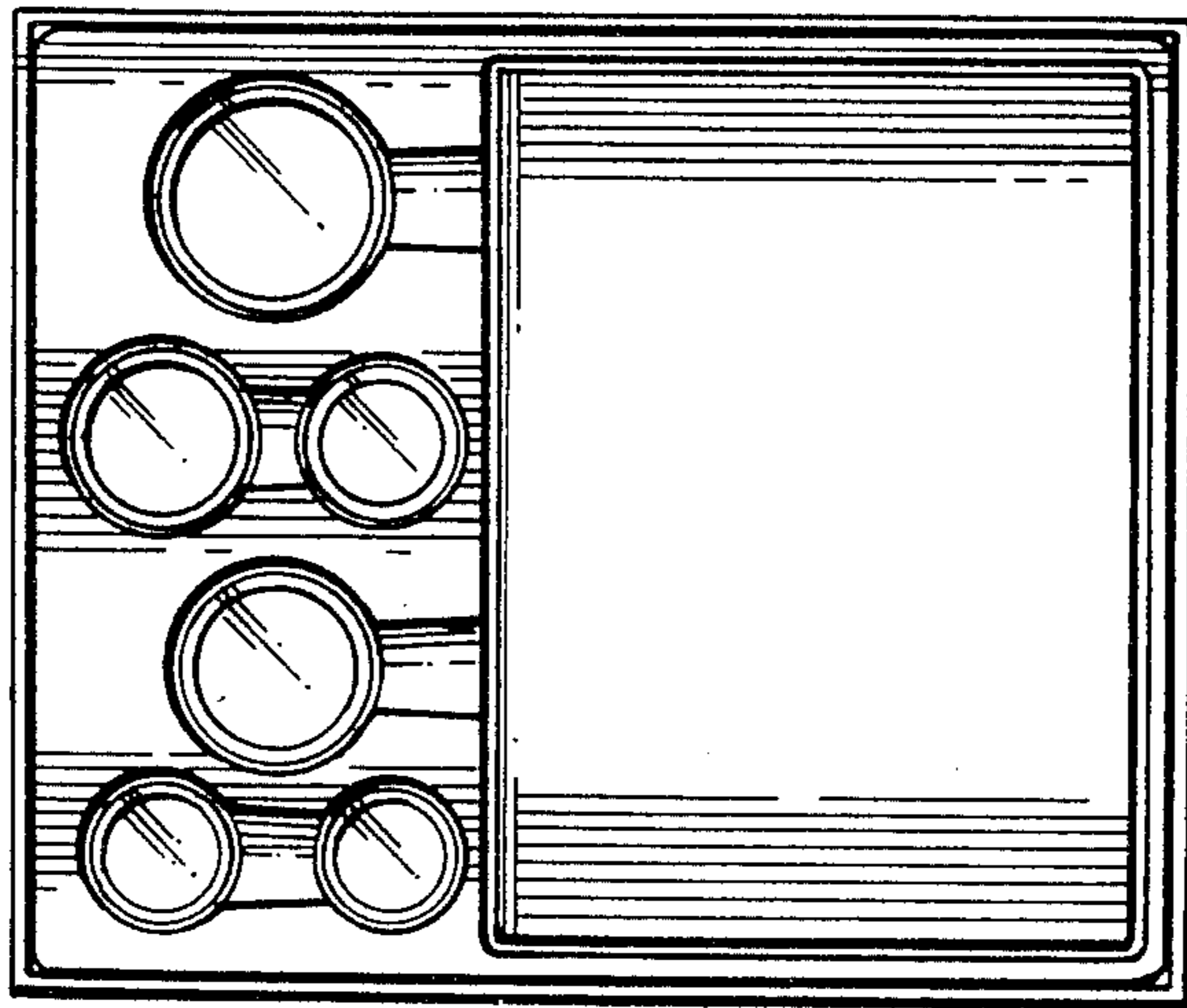


FIG. 2



FIG. 3



FIG. 4

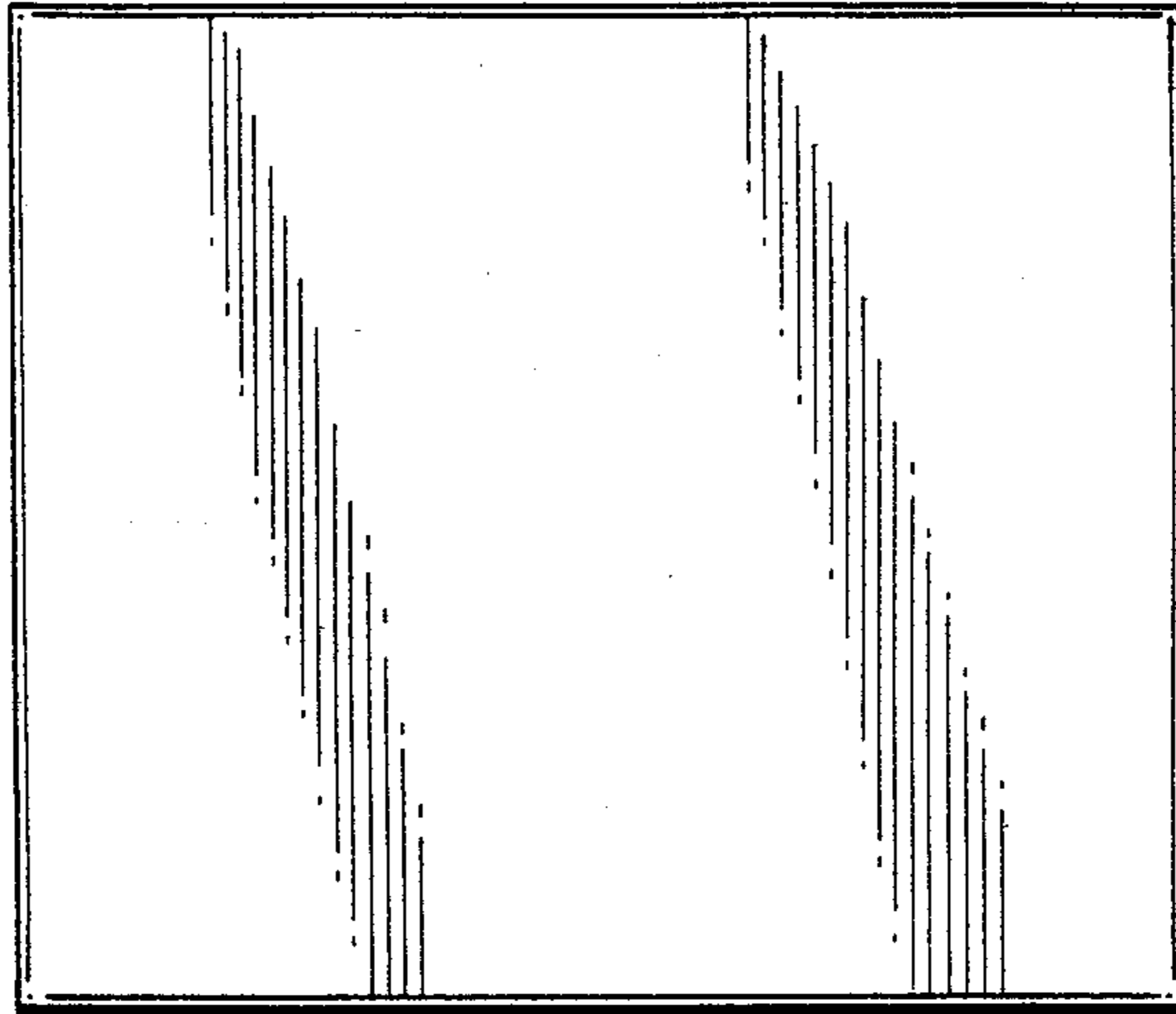


FIG. 5