

[54] LAMP

[76] Inventor: Michael Sidney, 1309 W. 112th St.,
Chicago, Cook County, Ill. 60643

[**] Term: 14 Years

[21] Appl. No.: 486,017

[22] Filed: Apr. 18, 1983

[52] U.S. Cl. D26/94; D11/149;
D11/157

[58] Field of Search D26/93-112;
362/410-414, 806; D11/149, 157; D25/18, 22,
56

[56] References Cited

U.S. PATENT DOCUMENTS

D. 87,006	5/1932	Harvey	D25/18
D. 194,550	2/1963	Margolis	D25/56 X
D. 240,069	5/1976	Lopez	D11/149
2,185,532	1/1940	Waterman et al.	D25/18

OTHER PUBLICATIONS

Everybody's Home Workshop Encyclopedia, ©1948,
p. 340, Wishing Well.
Home Furnishings Daily, 6-19-1957, p. 38, "Wishing
Well" Lamp.

Primary Examiner—Susan J. Lucas
Attorney, Agent, or Firm—Dressler, Goldsmith, Shore,
Sutker & Milnamow, Ltd.

[57] CLAIM

The ornamental design for a lamp, substantially as
shown and described.

DESCRIPTION

FIG. 1 is a top plan view of a lamp showing my new
design;
FIG. 2 is a front elevational view thereof, the rear ele-
vational view being a mirror image of this front eleva-
tional view;
FIG. 3 is a right side elevational view thereof;
FIG. 4 is a bottom plan view thereof;
FIG. 5 is an enlarged cross-sectional view thereof taken
generally along the planes 5—5 in FIG. 2; and
FIG. 6 is a greatly enlarged, fragmentary cross-sec-
tional view taken generally along plane 6—6 in FIG. 5.

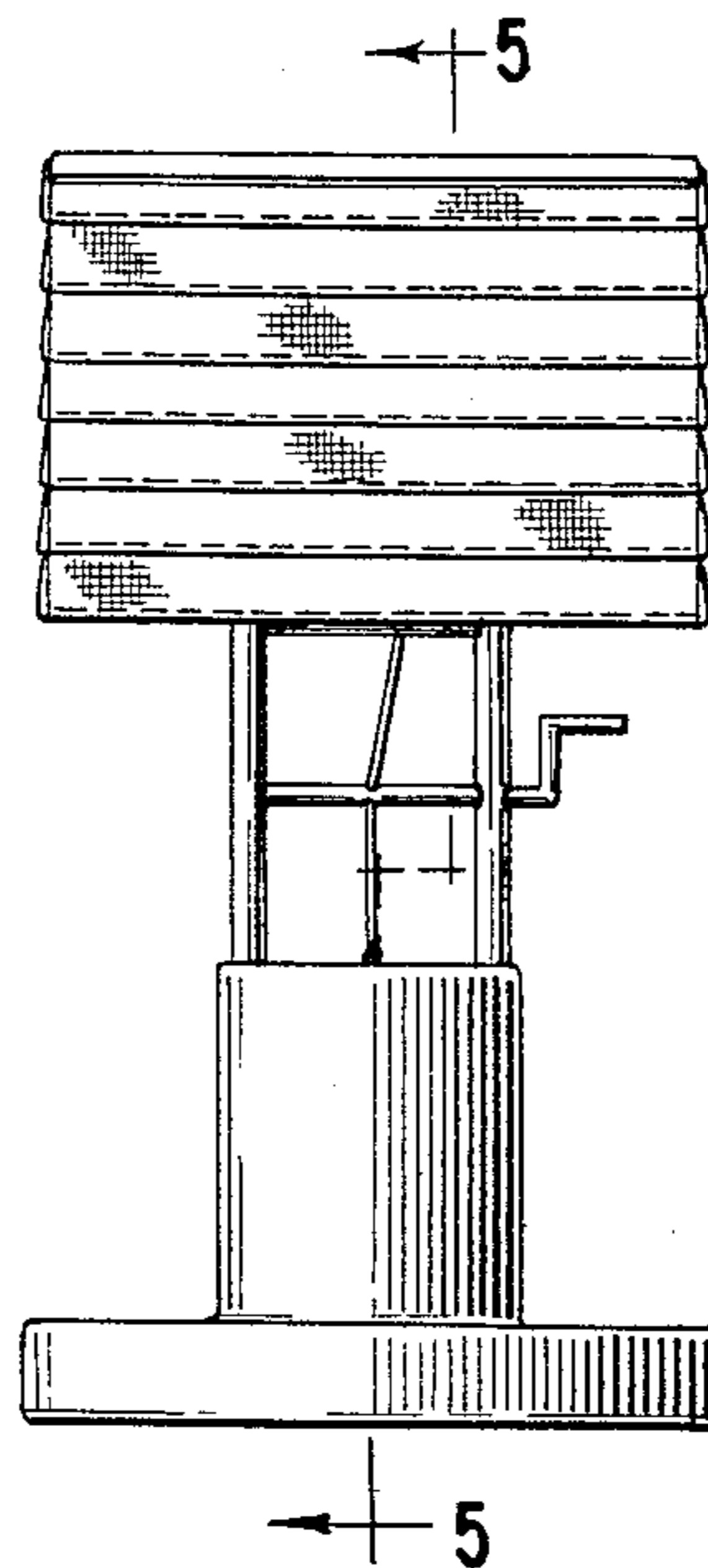


FIG. 1

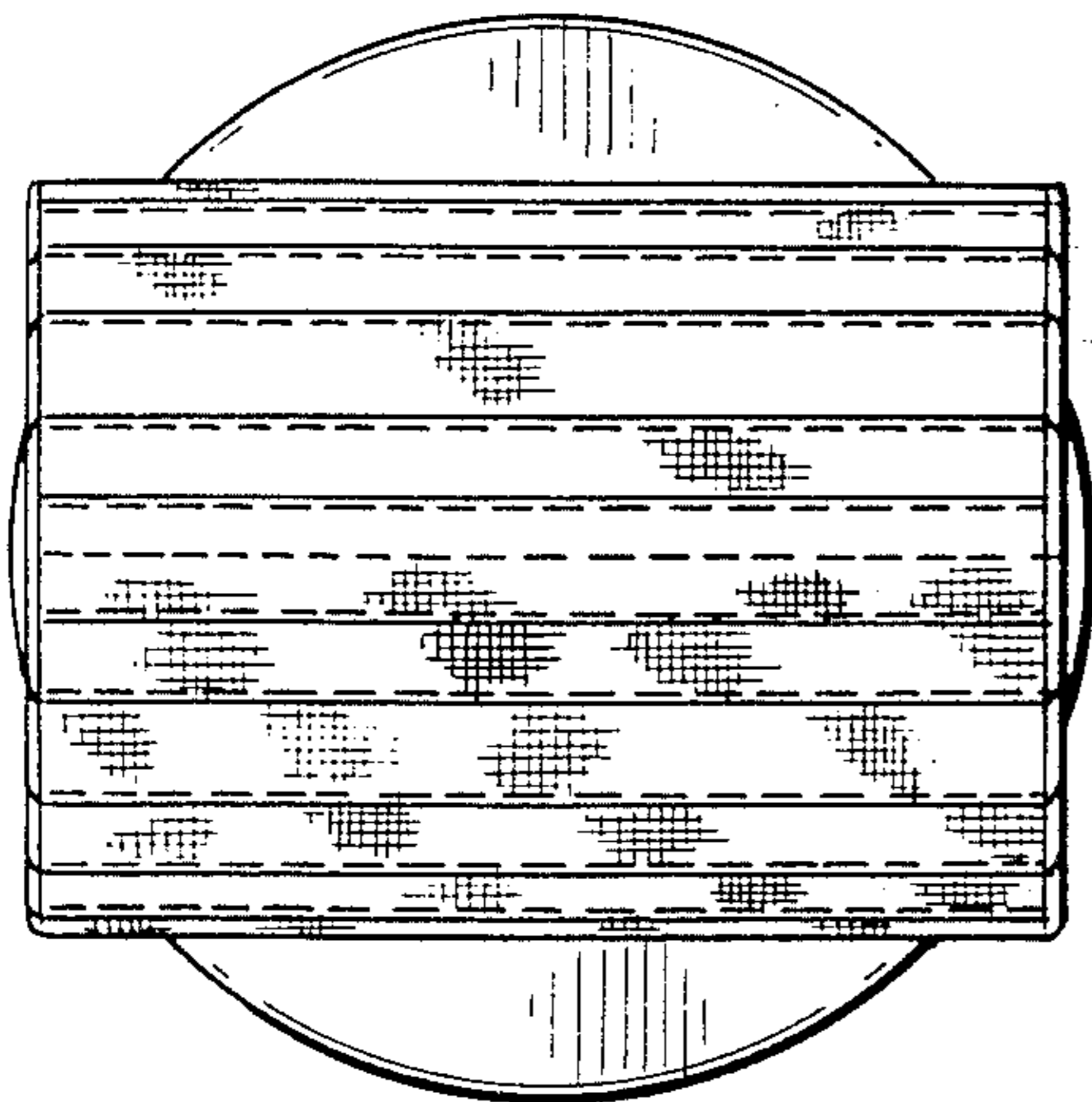


FIG. 4

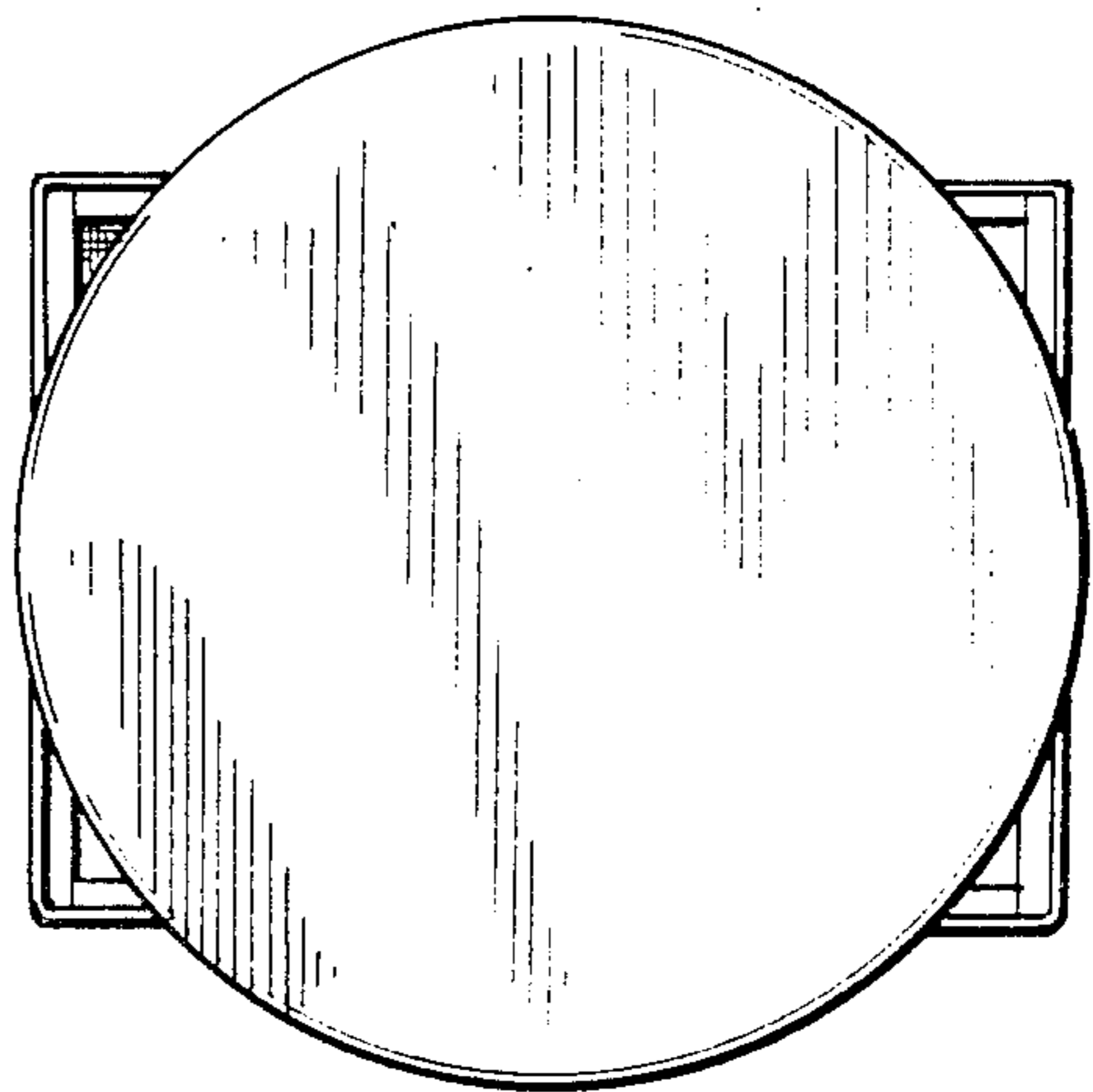


FIG. 2

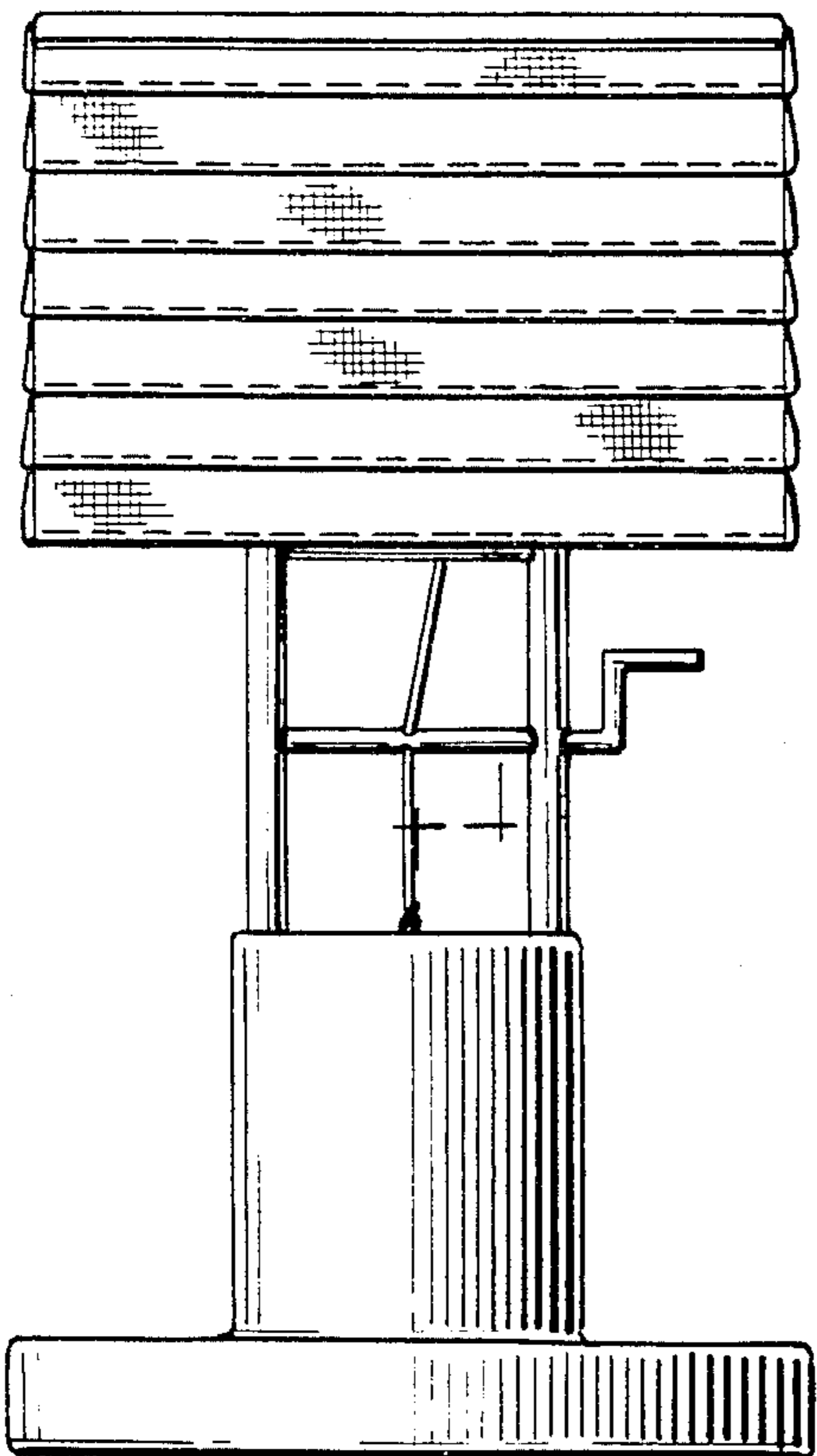
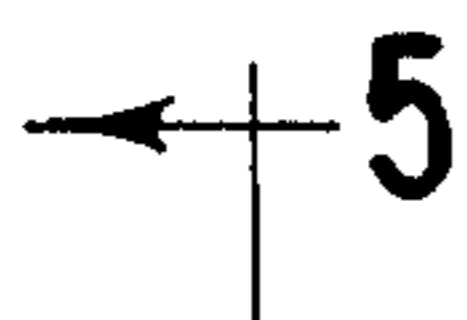


FIG. 3

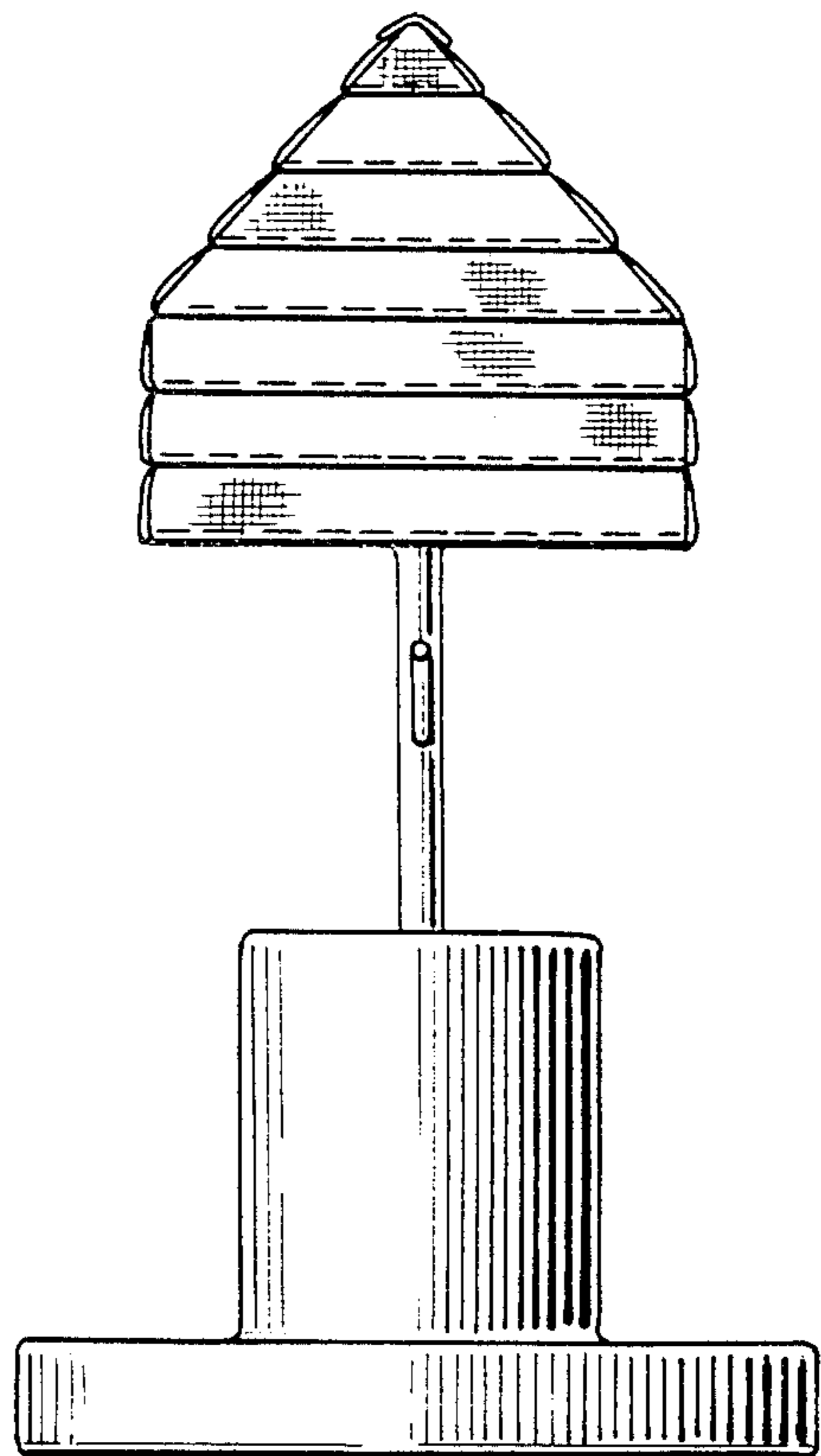


FIG. 5

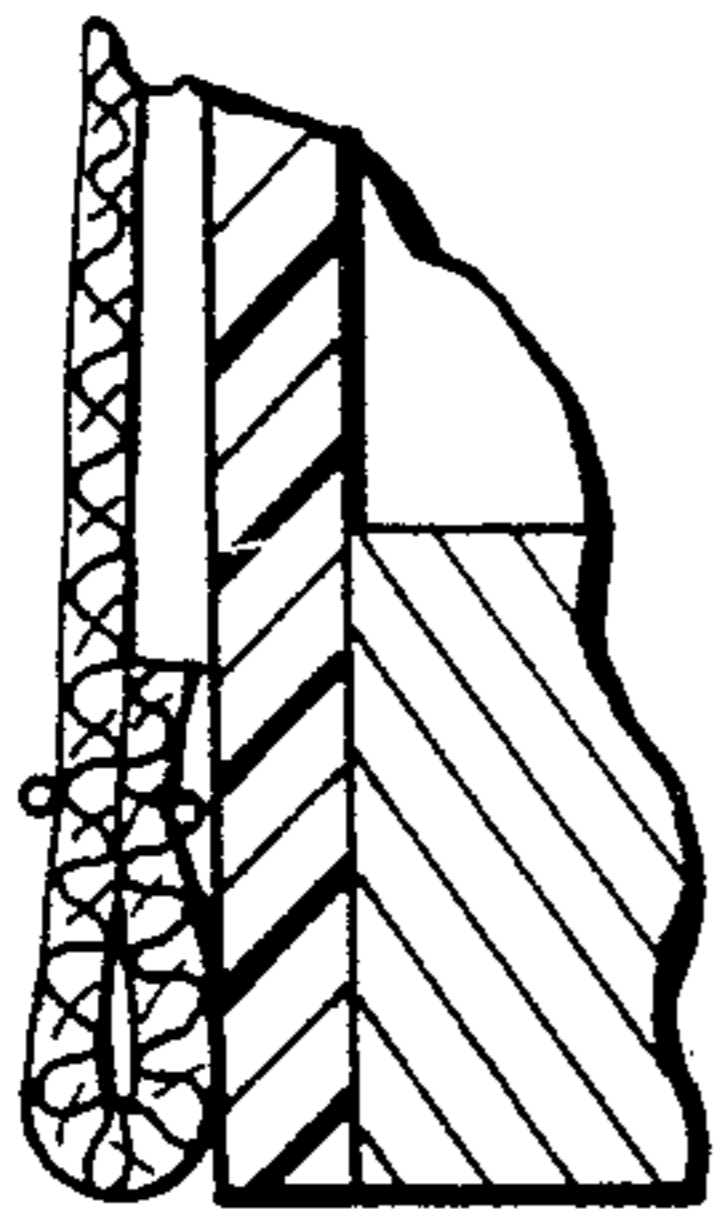
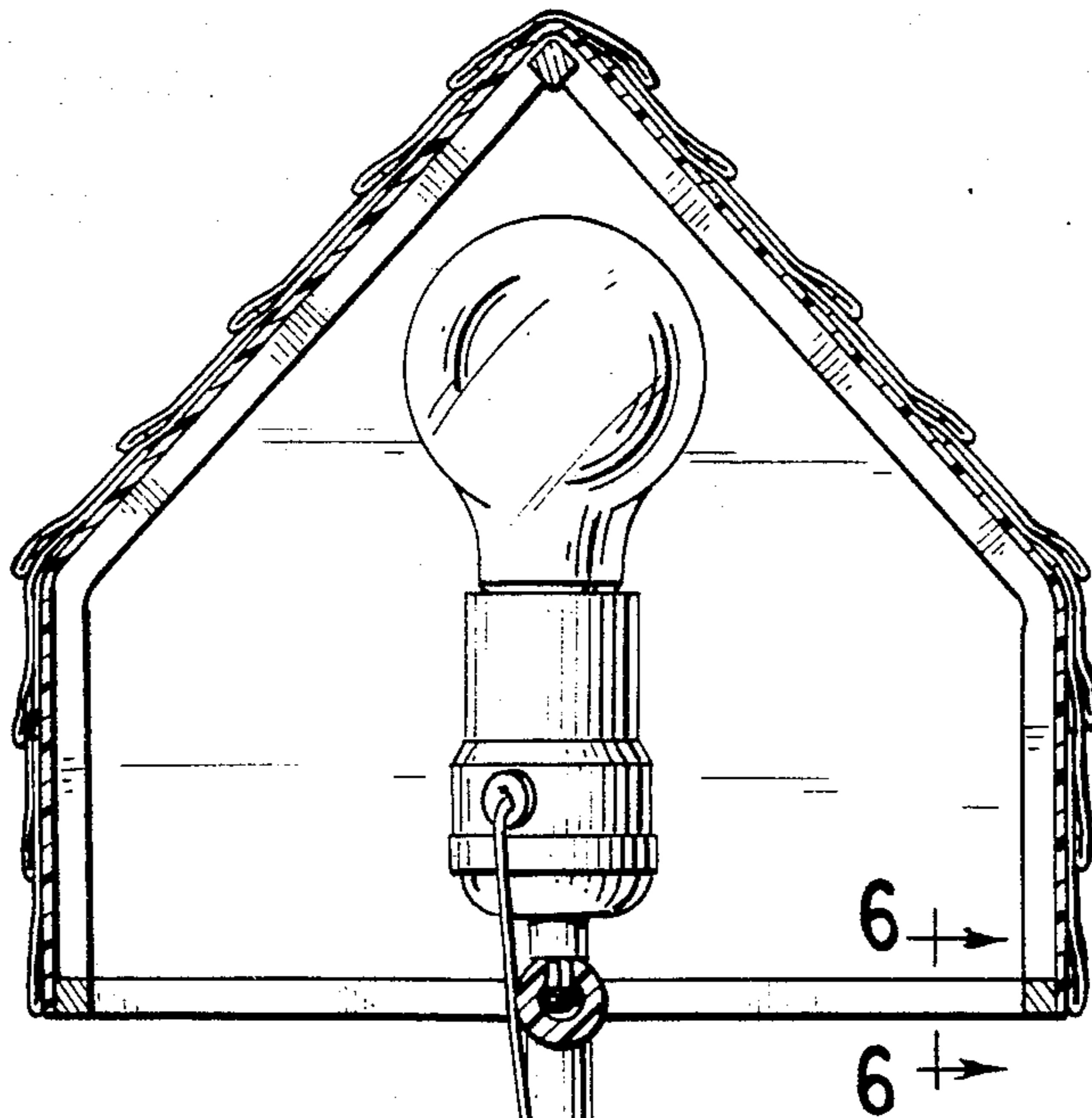


FIG. 6

