

[54] LAMP FOR A WORK STATION

[75] Inventors: Irving Schaffer, Fairfield; Willfred Goldschmidt, Weston, both of Conn.

[73] Assignee: Ledu Corporation, Trumbull, Conn.

[**] Term: 14 Years

[21] Appl. No.: 542,411

[22] Filed: Oct. 17, 1983

[52] U.S. Cl. D26/65

[58] Field of Search D26/24, 60-66; 362/269, 296, 401, 402, 418, 427

[56] References Cited

U.S. PATENT DOCUMENTS

- D. 147,900 11/1947 Fanelli D26/63 X
- D. 176,549 1/1956 Mugnai D26/65
- D. 272,003 12/1983 Jankowski D26/63
- 4,449,171 5/1984 Warshawsky 362/269 X

OTHER PUBLICATIONS

Domus, 7-8-1980, p. 21, Desk Lamp.

Primary Examiner—Susan J. Lucas

[57] CLAIM

The ornamental design for a lamp for a work station, as shown and described.

DESCRIPTION

FIG. 1 is a front perspective view of a lamp for a work station showing my new design;

FIG. 2 is a top plan view of the lamp on an enlarged scale, with the moveable parts in alternate positions with respect to FIG. 1;

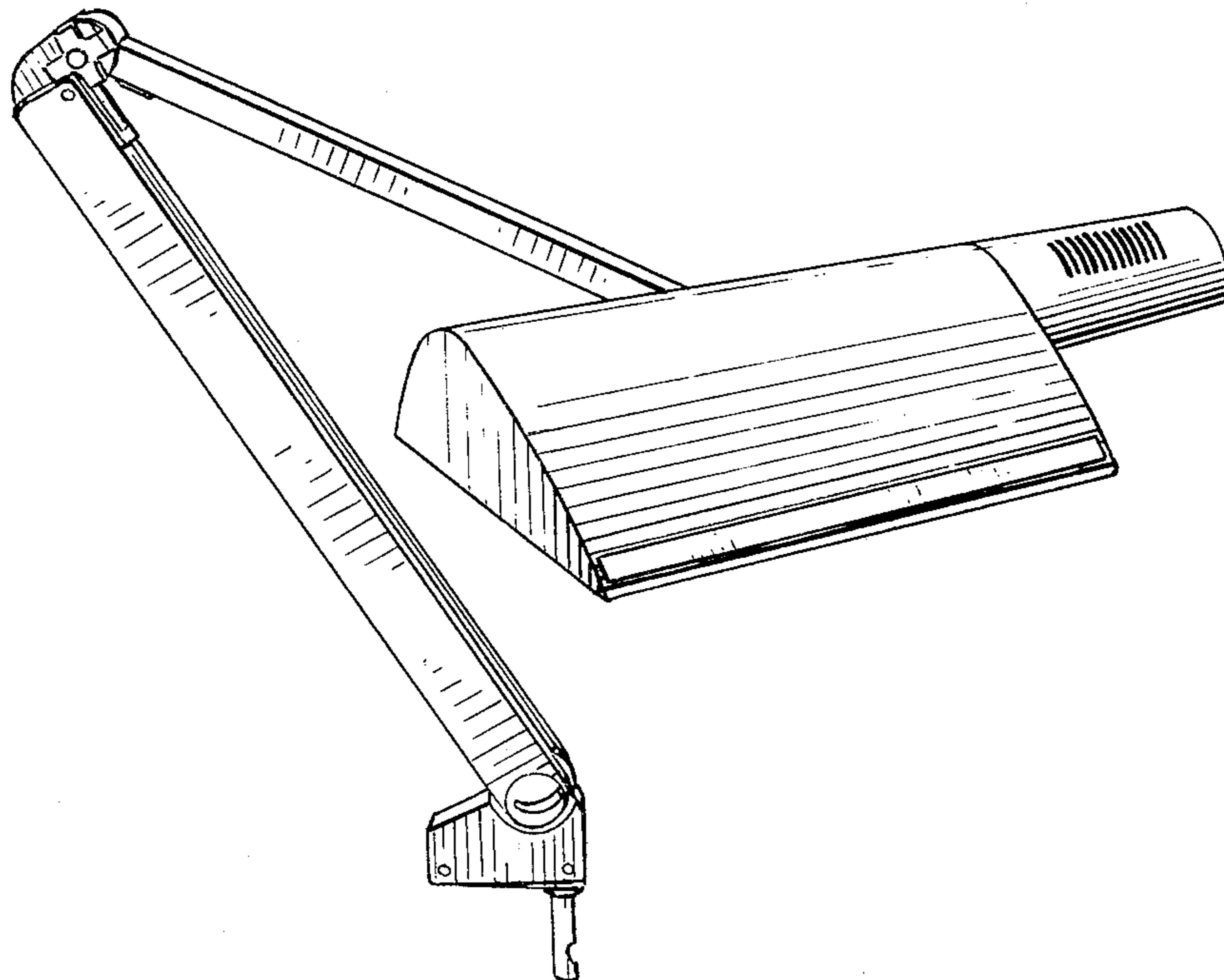
FIG. 3 is a side elevational view thereof;

FIG. 4 is a front elevational view thereof;

FIG. 5 is an opposite side elevational view thereof; and

FIG. 6 is a fragmentary bottom plan view thereof.

The supporting arm is broken away in FIGS. 2 and 4 and fragmentarily shown in FIG. 6 for convenience of illustration.



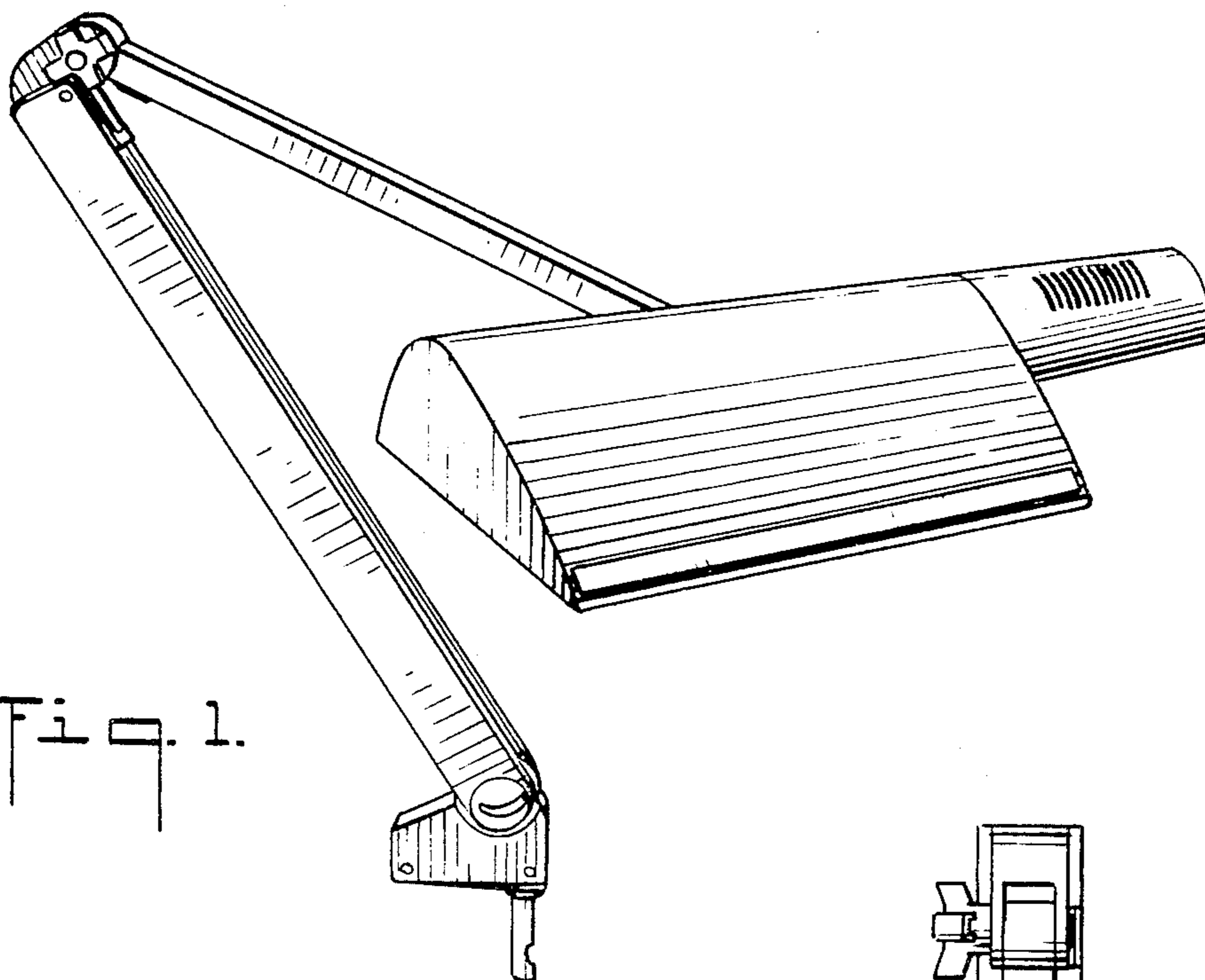


Fig. 1.

Fig. 2.

