

[54] **MODULE FOR WALLS AND FREE STANDING STRUCTURES**

[76] Inventors: **Angelo Risi; Antonio Risi**, both of P.O. Box 370, Gormley, Ontario, Canada, L0H 1G0

[\*\*] Term: **14 Years**

[21] Appl. No.: **497,740**

[22] Filed: **May 24, 1983**

[52] U.S. Cl. .... **D25/91**

[58] Field of Search ..... 52/594, 593, 605, 591, 52/606; 98/58; D25/83-96

[56] **References Cited**

**U.S. PATENT DOCUMENTS**

1,457,454	6/1923	Patee	52/722
2,703,487	3/1955	Ossoinack	52/594
4,372,091	2/1983	Brown et al.	52/593
4,439,967	4/1984	Dielenberg	52/593 X
4,475,326	10/1984	Hanson	52/591 X

**FOREIGN PATENT DOCUMENTS**

943432 5/1956 Fed. Rep. of Germany ..... 52/606

*Primary Examiner*—A. Hugo Word  
*Attorney, Agent, or Firm*—Weldon F. Green

[57] **CLAIM**

The ornamental design for a module for walls and free standing structures, as shown and described.

**DESCRIPTION**

FIG. 1 is a perspective view of the first embodiment showing our new design taken from a point forwardly and upwardly to the right of the front face thereof.

FIG. 2 is a perspective view taken from a point forwardly and downwardly to the left of the front face of the first embodiment illustrated in FIG. 1.

FIG. 3 is a side elevational view of the first embodiment of the FIGS. 1 and 2 taken from the right in FIG. 1.

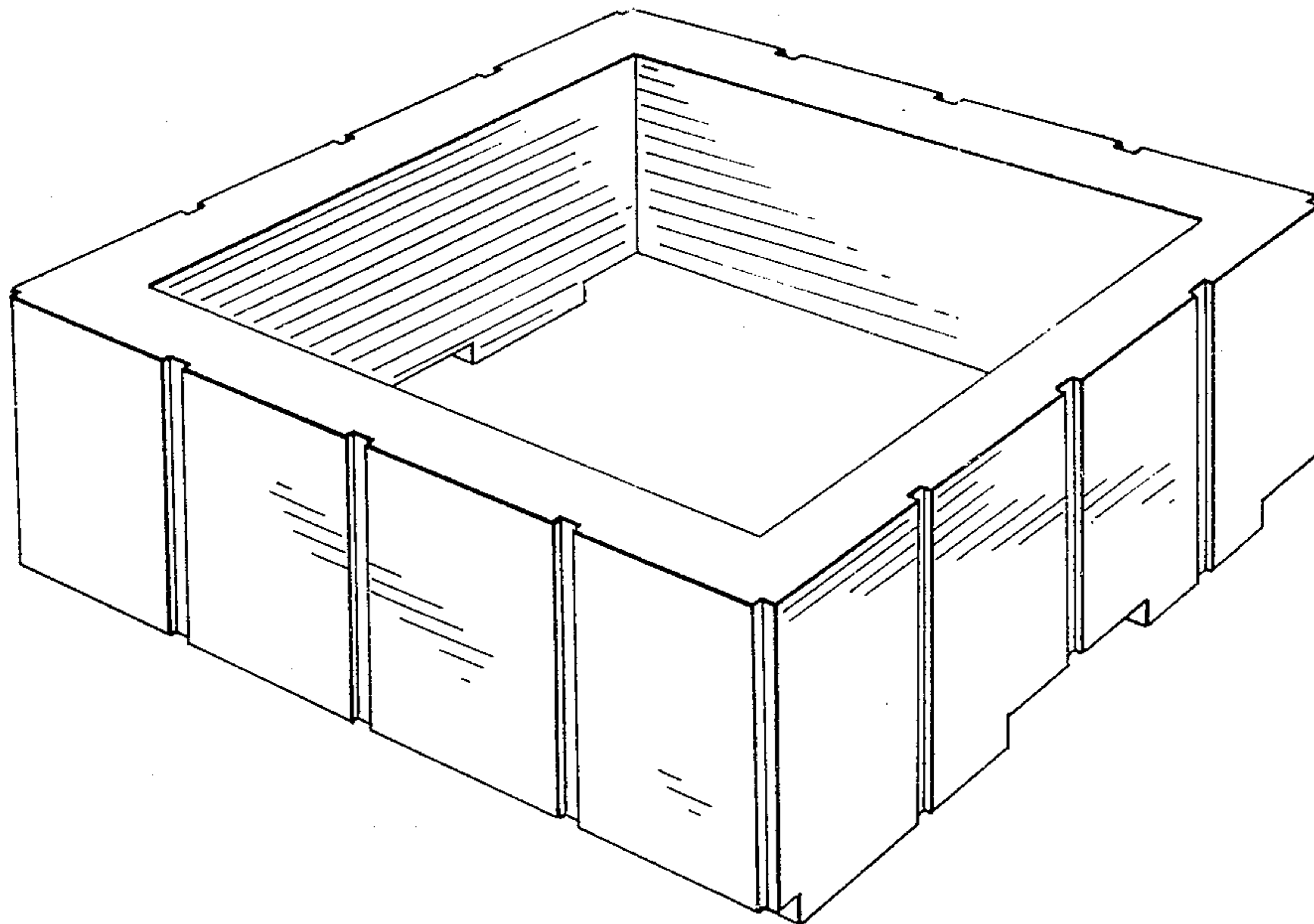
FIG. 4 is a bottom plan view of the first embodiment illustrated in FIGS. 1 to 3 inclusive.

FIG. 5 is a perspective view of the second embodiment showing our new design taken from a point forwardly and upwardly to the right of the front face thereof.

FIG. 6 is a perspective view taken from a point forwardly and downwardly to the left of the front face of the second embodiment illustrated in FIG. 5.

FIG. 7 is a side elevational view of the second embodiment of the FIGS. 5 and 6 taken from the right in FIG. 5.

FIG. 8 is a bottom plan view of the second embodiment illustrated in FIGS. 5 to 7 inclusive.



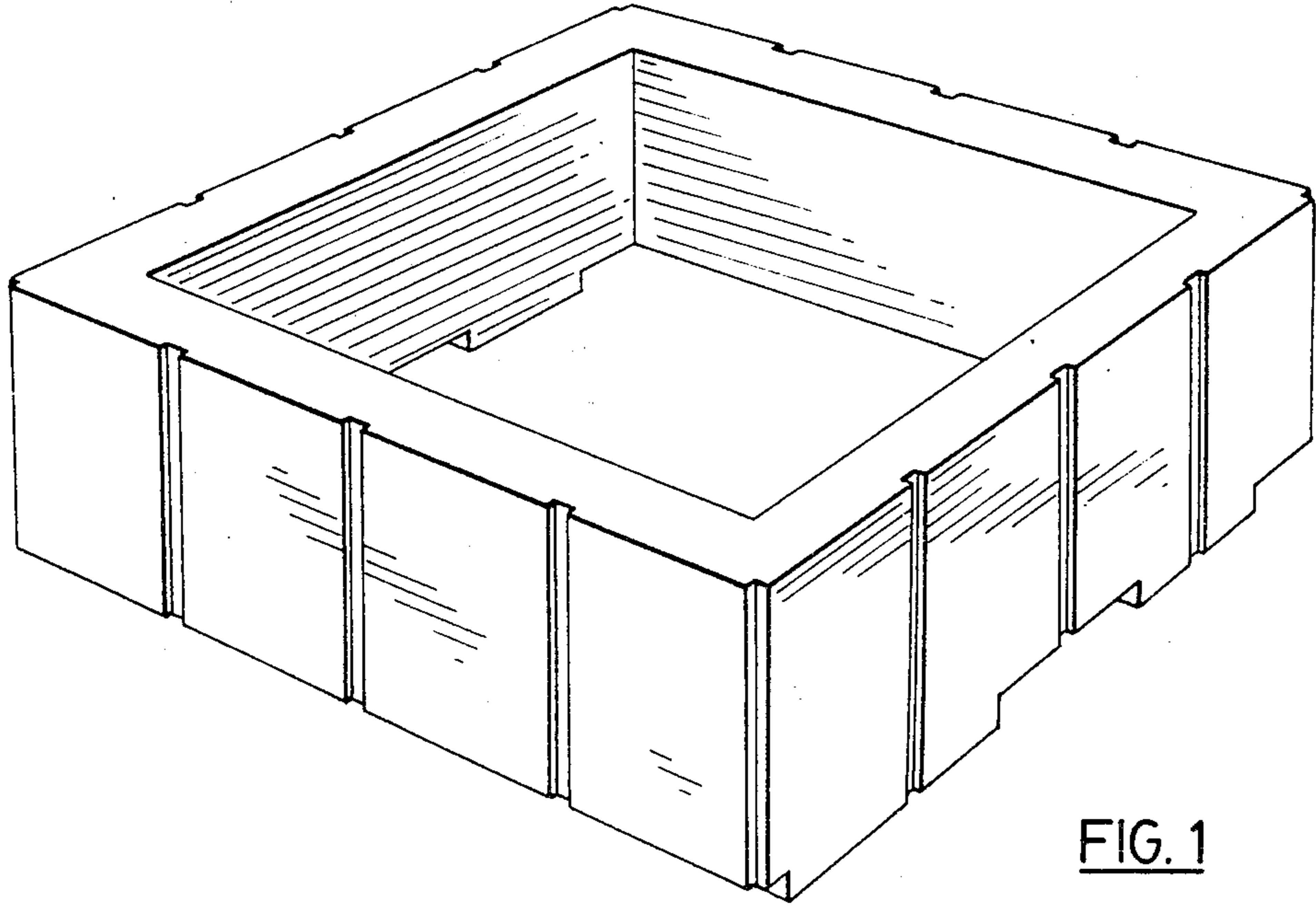


FIG. 1

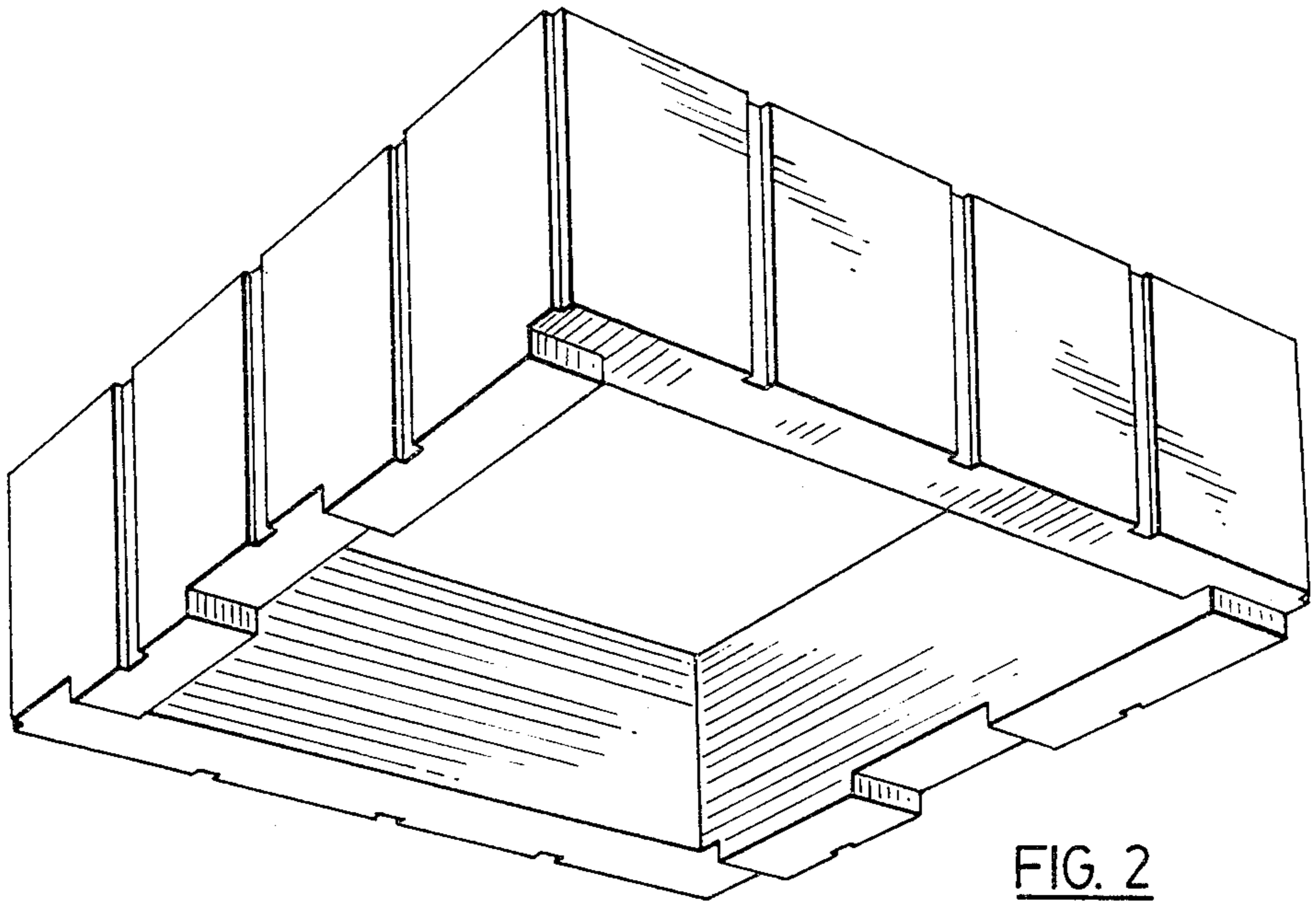


FIG. 2

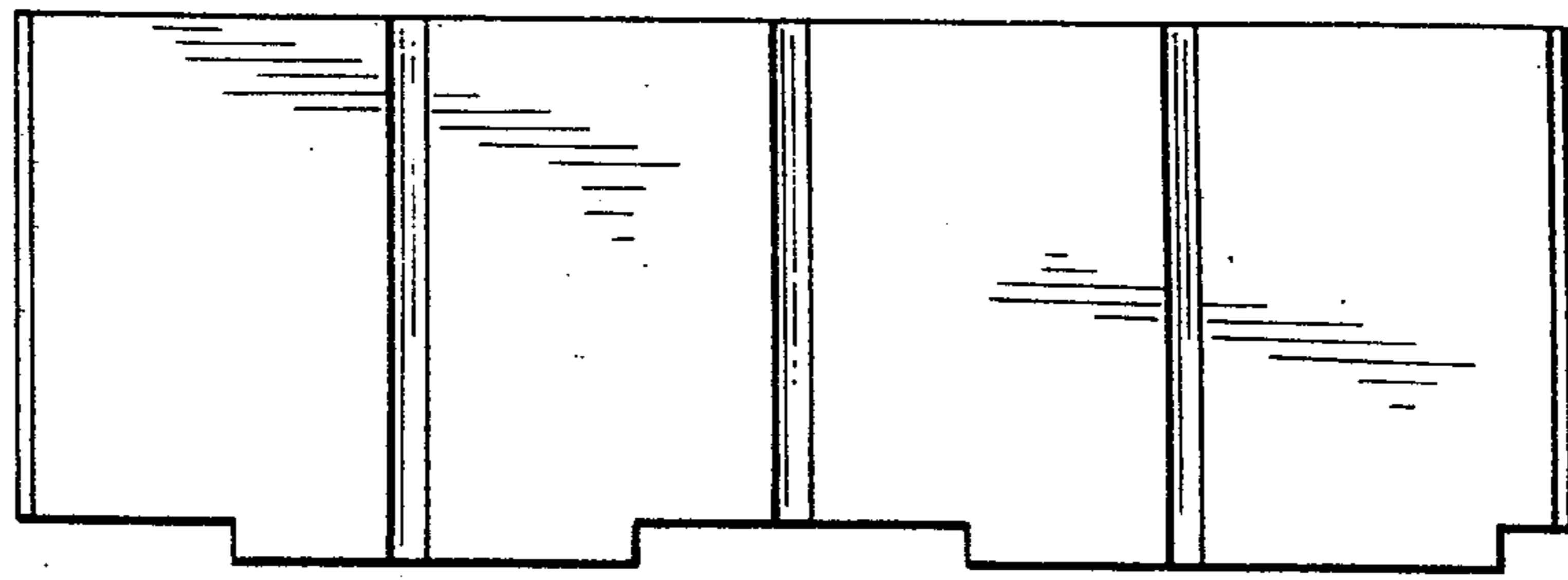


FIG. 3

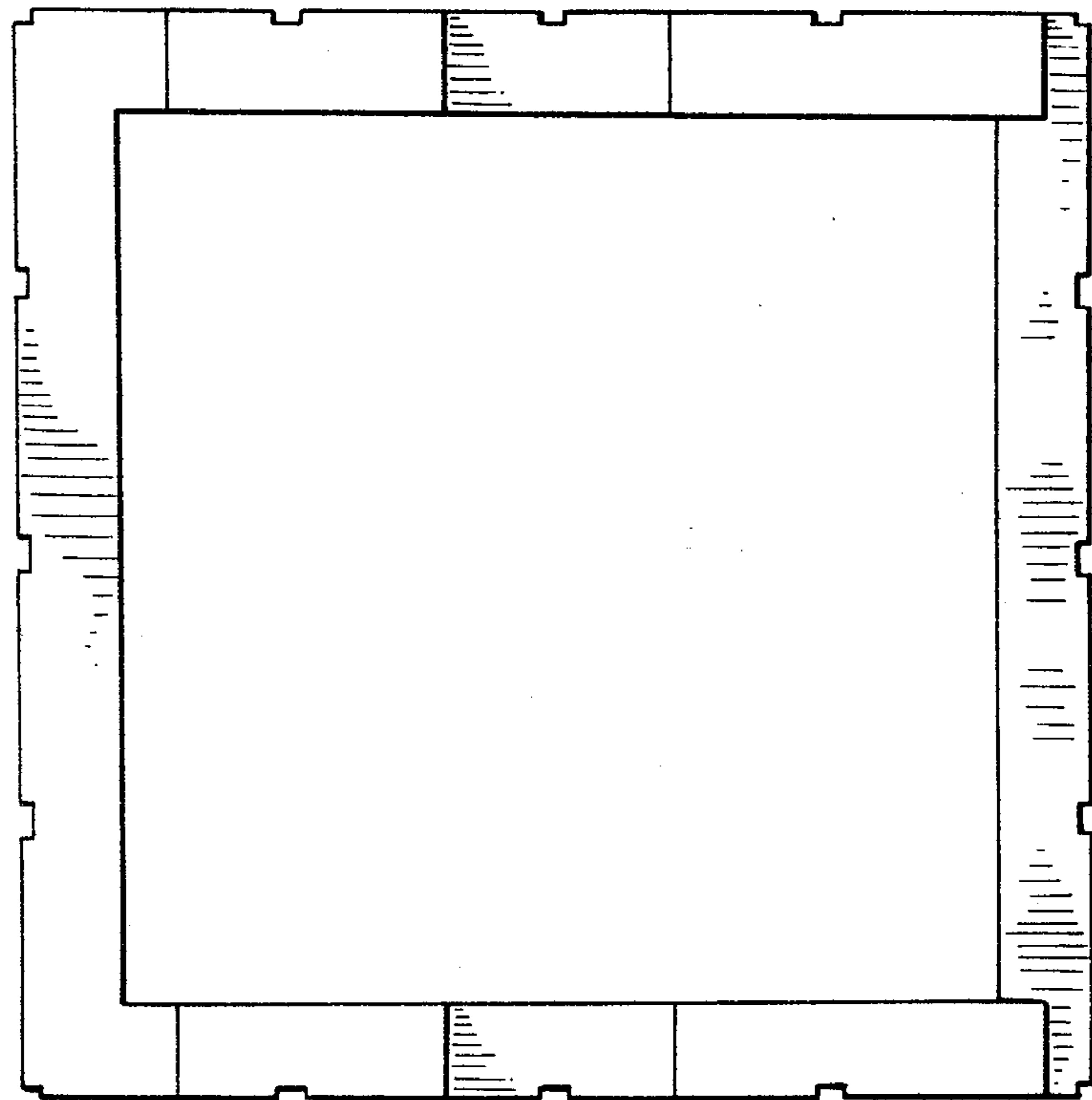


FIG. 4

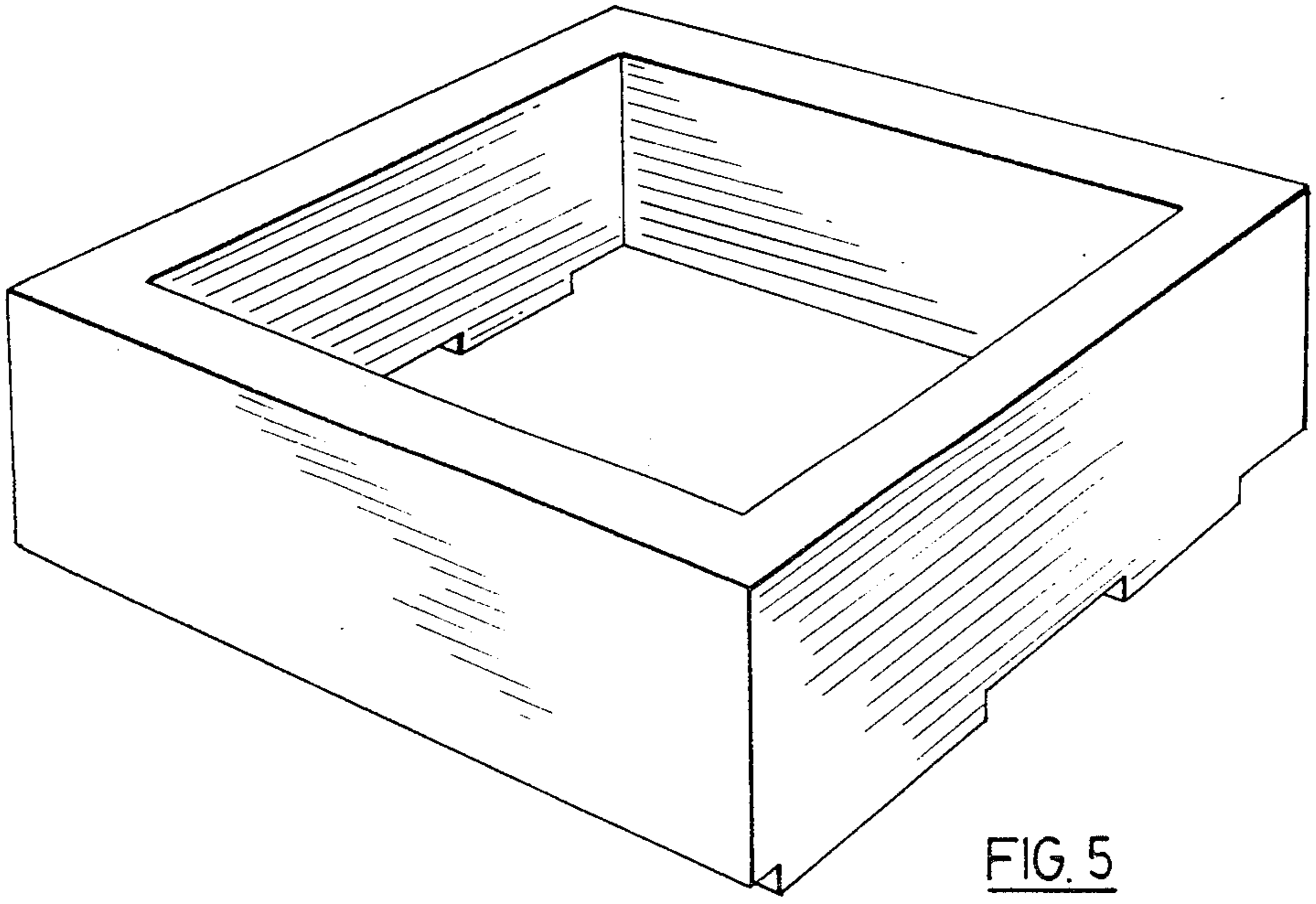


FIG. 5

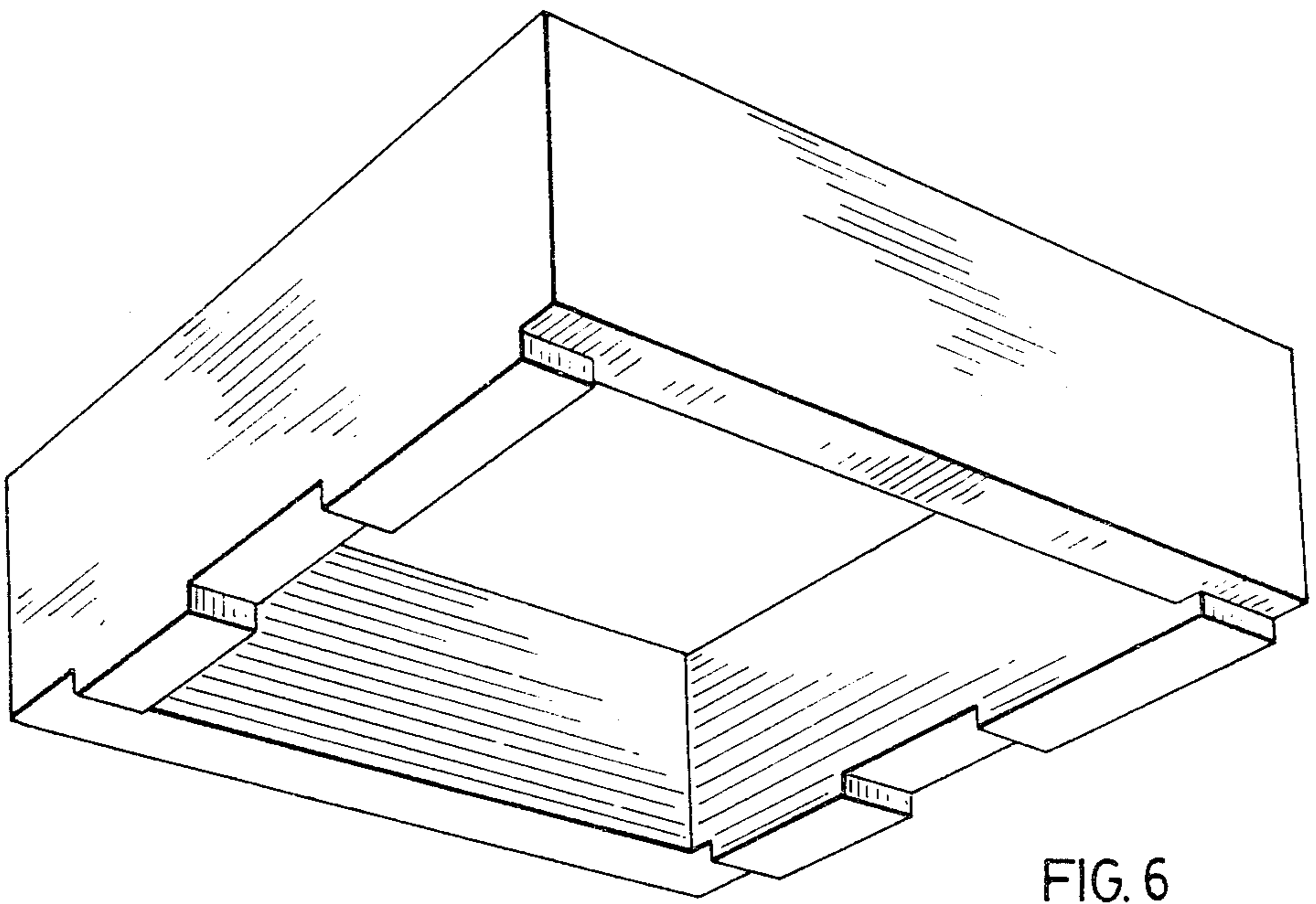


FIG. 6



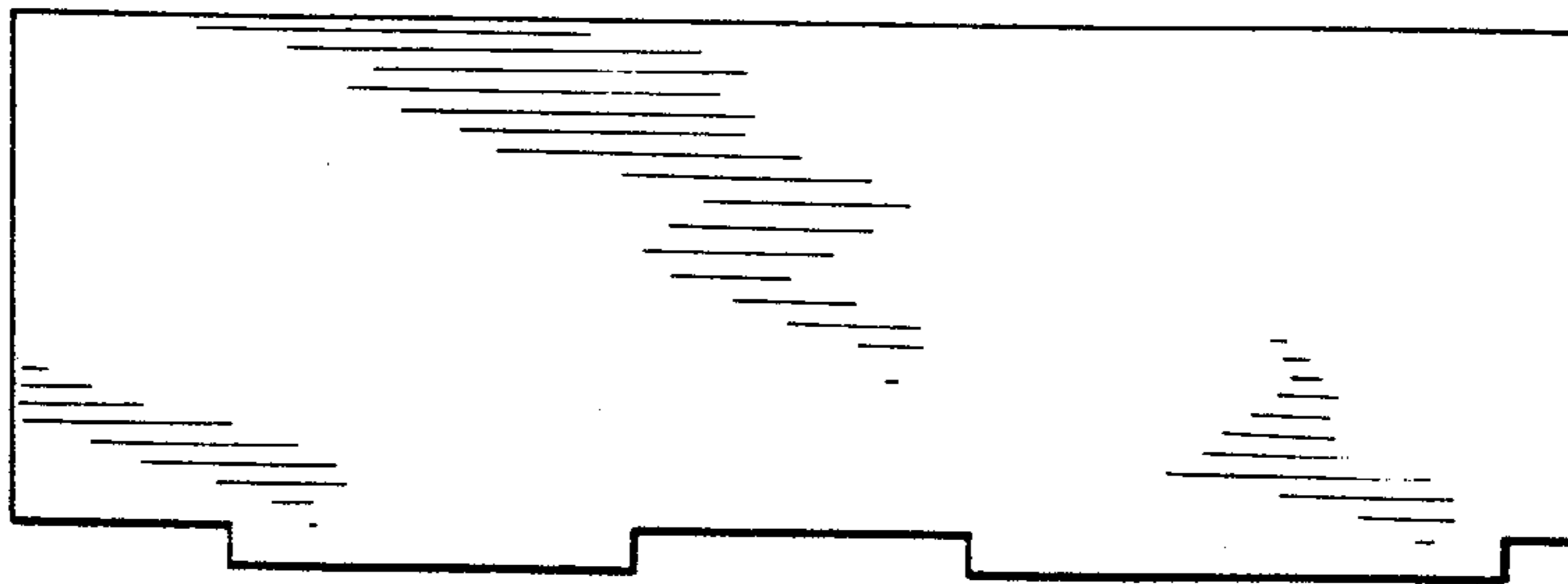


FIG. 7

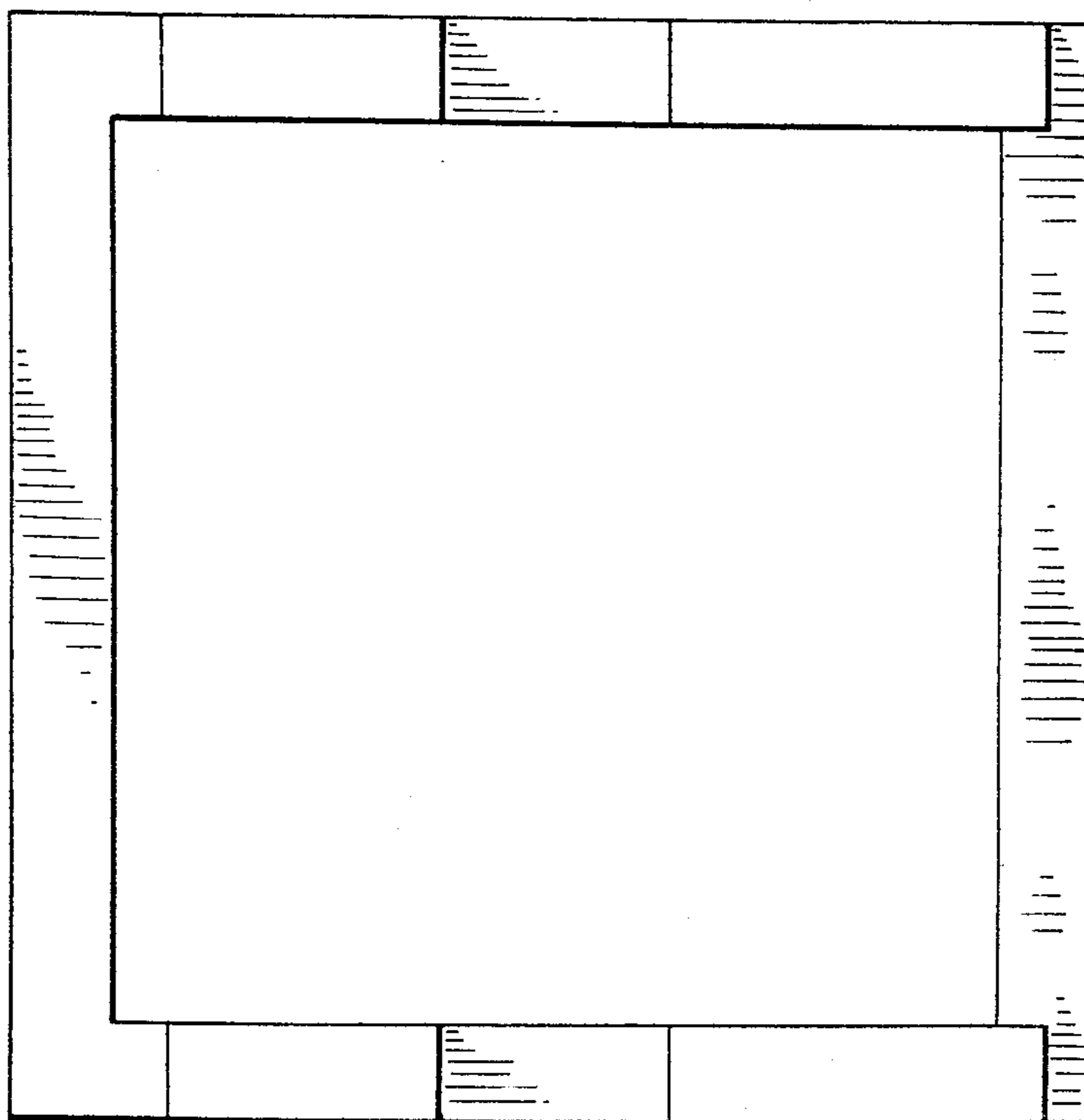


FIG. 8