

United States Patent - [19]

Harber

[11] Patent Number: **Des. 284,304**

[45] Date of Patent: **** Jun. 17, 1986**

[54] **COMBINED CEILING FAN AND LIGHT**

[76] Inventor: **Eva L. Harber, 2428 Taylor Ave., Alexandria, Va. 22302**

[**] Term: **14 Years**

[21] Appl. No.: **659,961**

[22] Filed: **Oct. 11, 1984**

[52] U.S. Cl. **D23/155; D23/158; 416/5**

[58] Field of Search **D23/139-165; 98/38.3-38.7, 40.1-40.9; 416/5**

[56] **References Cited**

U.S. PATENT DOCUMENTS

D. 82,179 9/1930 Ringwald D23/158
D. 200,986 4/1965 Wojciechowski D12/214
D. 265,681 8/1982 Kan D23/158

D. 270,563 9/1983 Phillips D23/158
4,511,310 4/1985 Pearce 416/5

OTHER PUBLICATIONS

Hornung: Handbook of Designs and Devices (1981) p. 112, Item 1007—Anchor Motif.

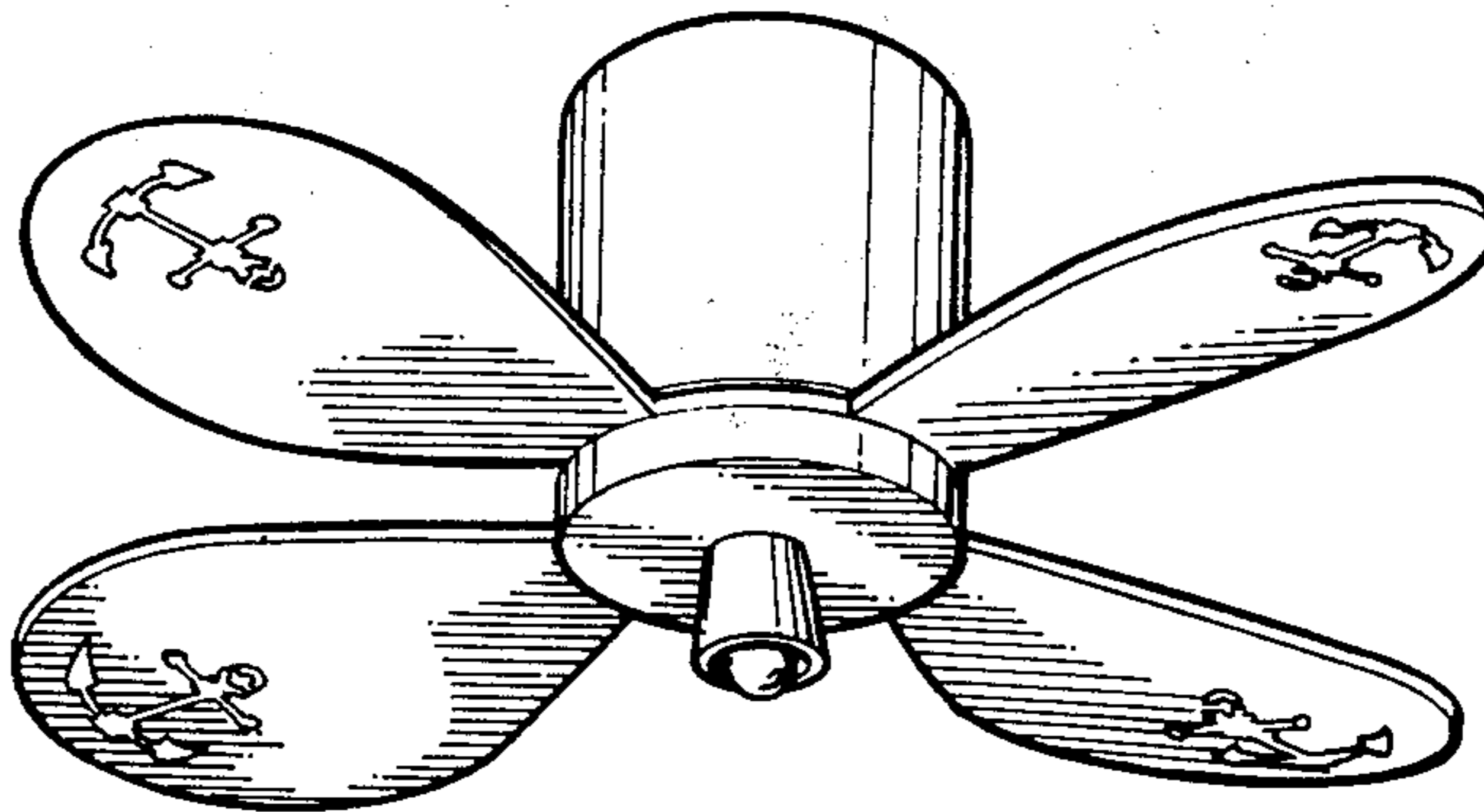
Primary Examiner—Wallace R. Burke
Assistant Examiner—Brian N. Vinson
Attorney, Agent, or Firm—Richard C. Litman

[57] **CLAIM**

The ornamental design for a combined ceiling fan and light, as shown.

DESCRIPTION

FIG. 1 is a perspective view of a combined ceiling fan and light showing my new design; FIG. 2 is a top plan view thereof; and FIG. 3 is a side view thereof.



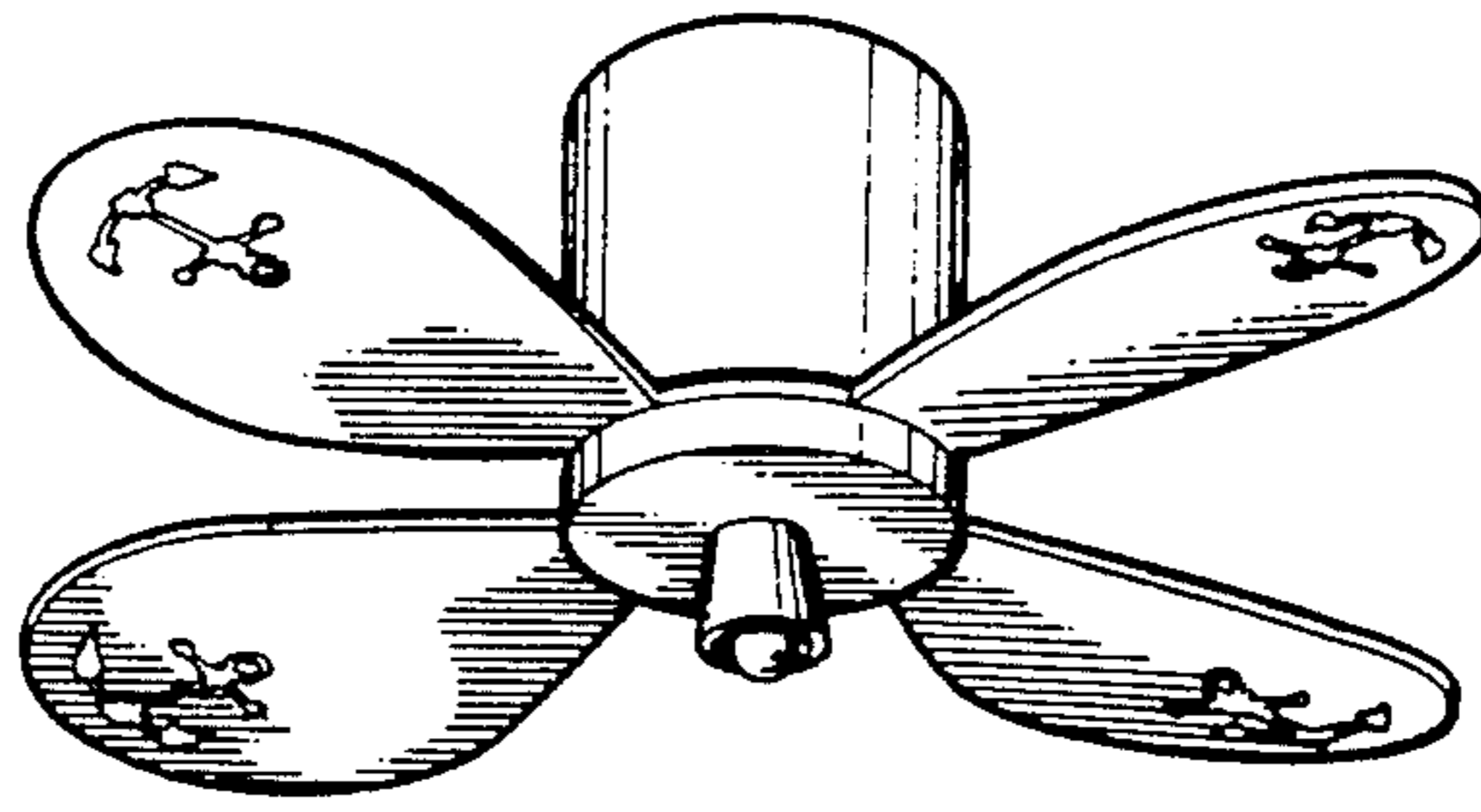


Fig. 1

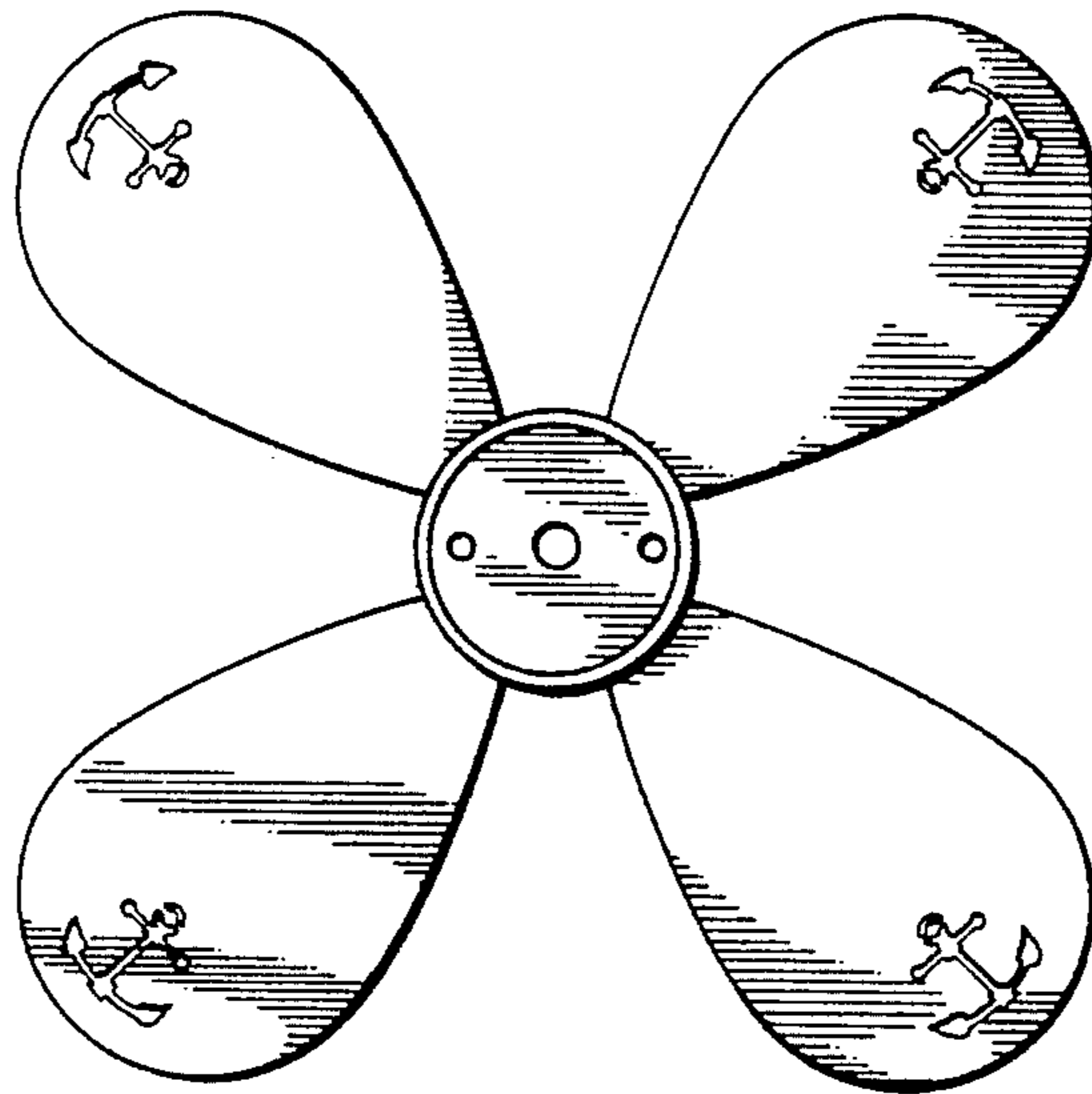


Fig. 2

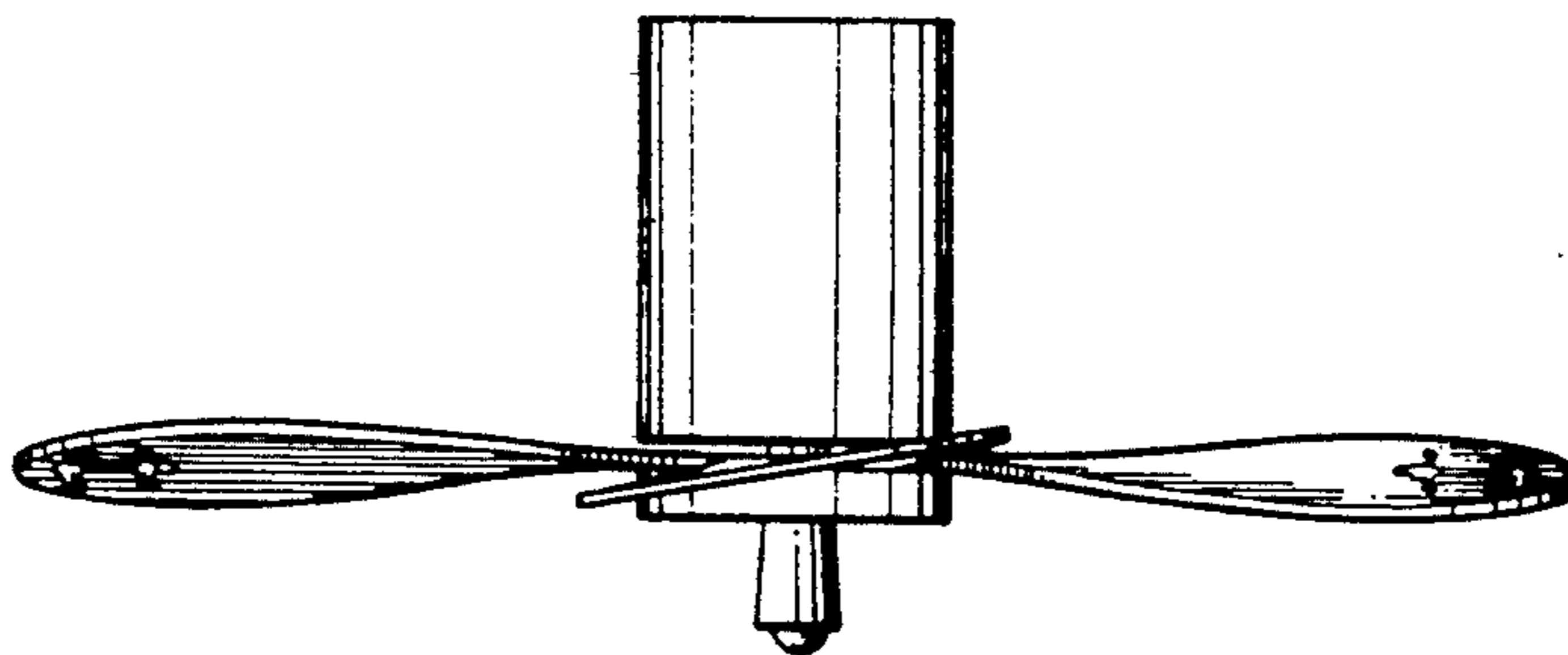


Fig. 3