

[54] TOILET

[75] Inventor: Roger Yvetot,  
Conflans-Sainte-Honorine, France

[73] Assignee: Societe Generale de Fonderie, Paris,  
France

[\*\*] Term: 14 Years

[21] Appl. No.: 534,356

[22] Filed: Sep. 21, 1983

[30] Foreign Application Priority Data

Mar. 21, 1983 [FR] France ..... 831071

[52] U.S. Cl. .... D23/65

[58] Field of Search ..... D23/49, 65-67;  
4/300, 321, 329-332, 353, 420

[56] References Cited

U.S. PATENT DOCUMENTS

- D. 198,431 6/1964 Armstrong ..... D23/65
- D. 199,021 9/1964 Stairs, Jr. .... D23/65
- D. 199,235 9/1964 Tiller ..... D23/65
- D. 215,656 10/1969 Armstrong ..... D23/65
- D. 237,884 12/1975 Korol ..... D23/65
- D. 261,799 11/1981 Alger ..... D23/65

- D. 275,515 9/1984 Kaiser ..... D23/67
- D. 276,176 10/1984 Kaiser ..... D23/65
- D. 278,078 3/1985 Kaiser ..... D23/65
- 4,162,548 7/1979 Groombridge et al. .... 4/329 X
- 4,450,595 5/1984 Saccomanno ..... 4/340 X

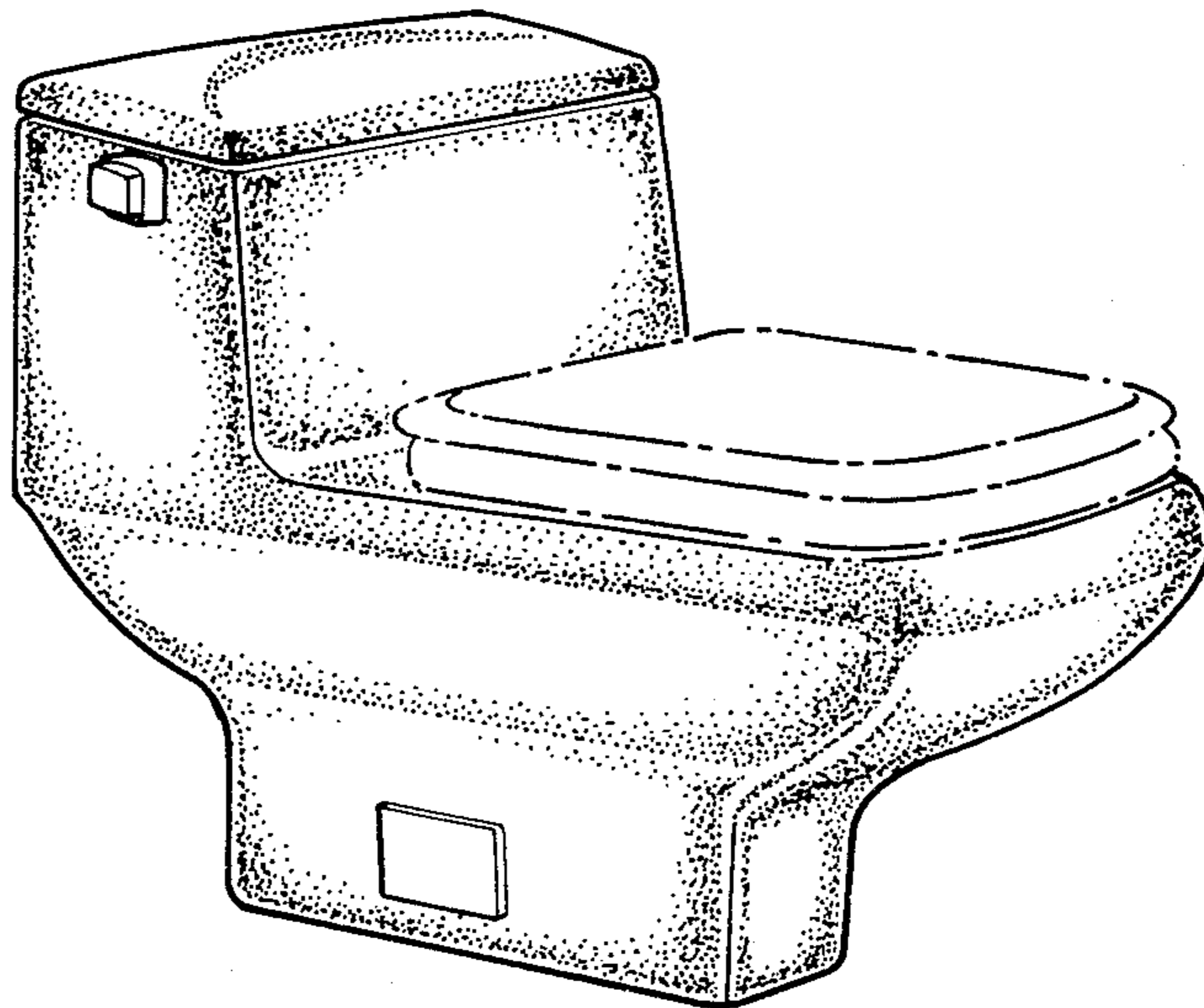
Primary Examiner—James R. Largen  
Attorney, Agent, or Firm—Oblon, Fisher, Spivak,  
McClelland & Maier

[57] CLAIM

The ornamental design for a toilet, substantially as shown and described.

DESCRIPTION

FIG. 1 is a perspective view taken from the top, front and left side of a toilet showing my new design;  
 FIG. 2 is a left side view thereof;  
 FIG. 3 is a perspective view taken from the top, front and right side thereof;  
 FIG. 4 is a front view thereof;  
 FIG. 5 is a top view thereof;  
 FIG. 6 is a rear view thereof;  
 FIG. 7 is a bottom view thereof; and  
 FIG. 8 is another top view thereof.  
 The broken line representation of a toilet seat and cover in FIGS. 1 through 5 is for purposes of illustration only.



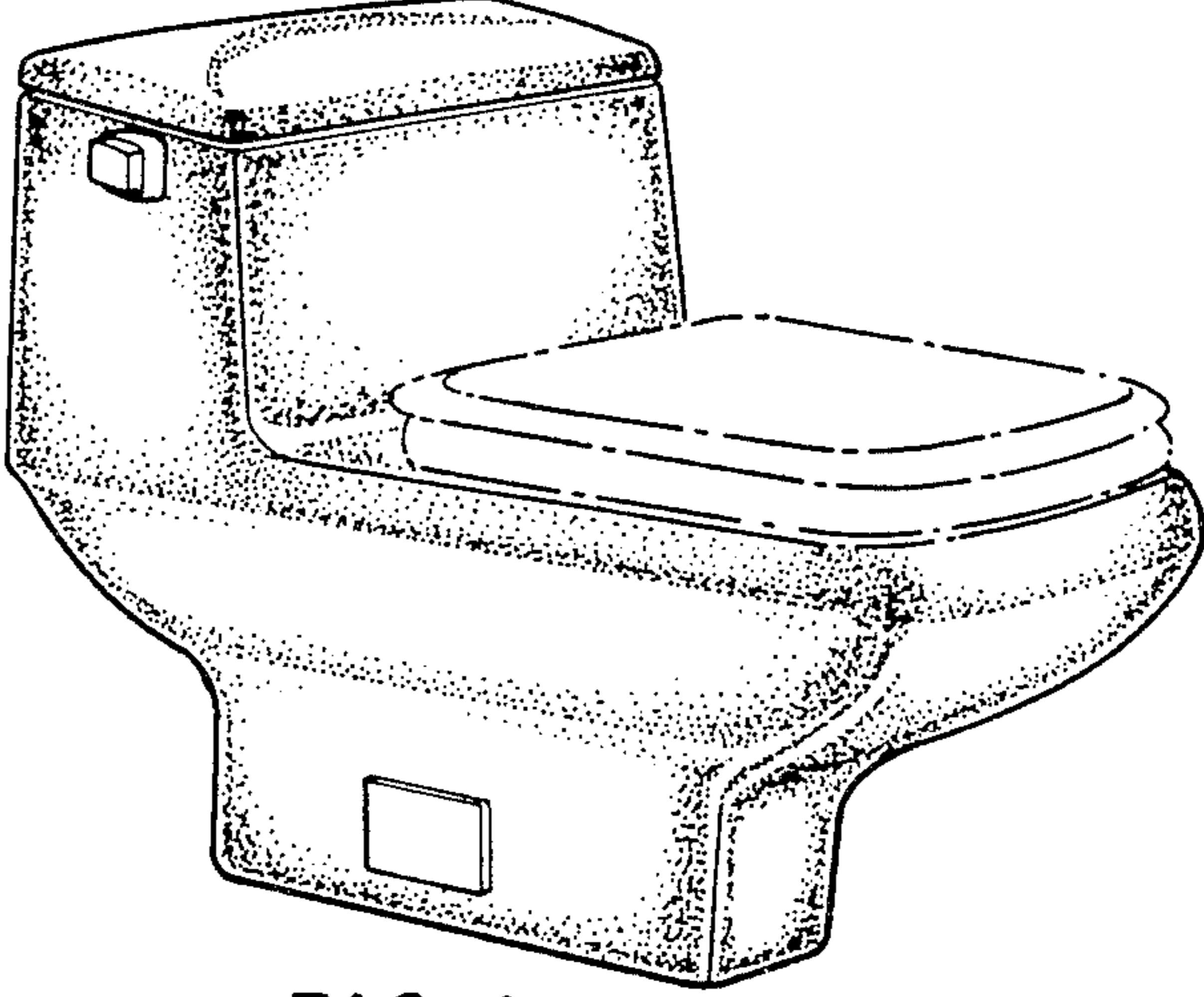


FIG. 1

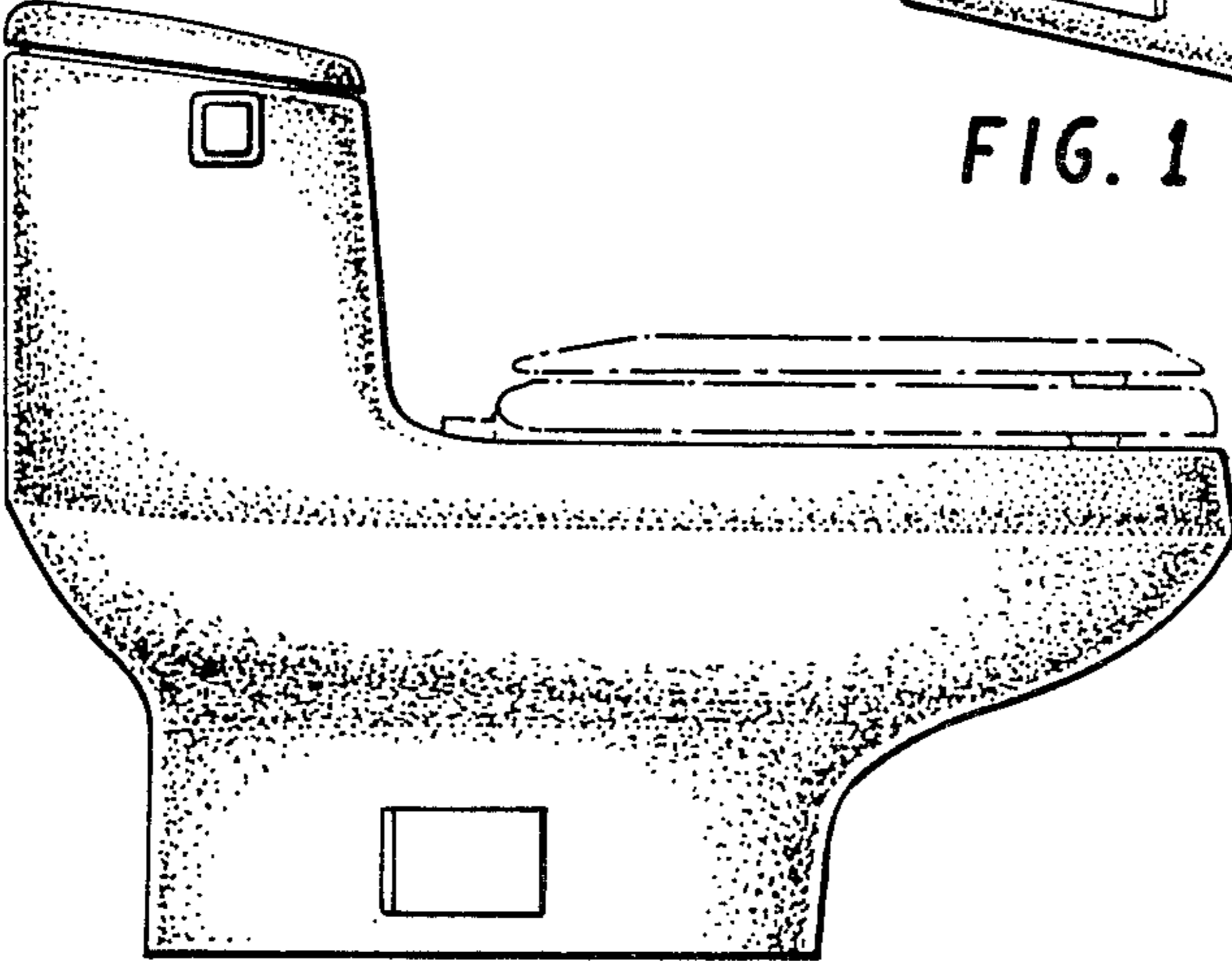


FIG. 2

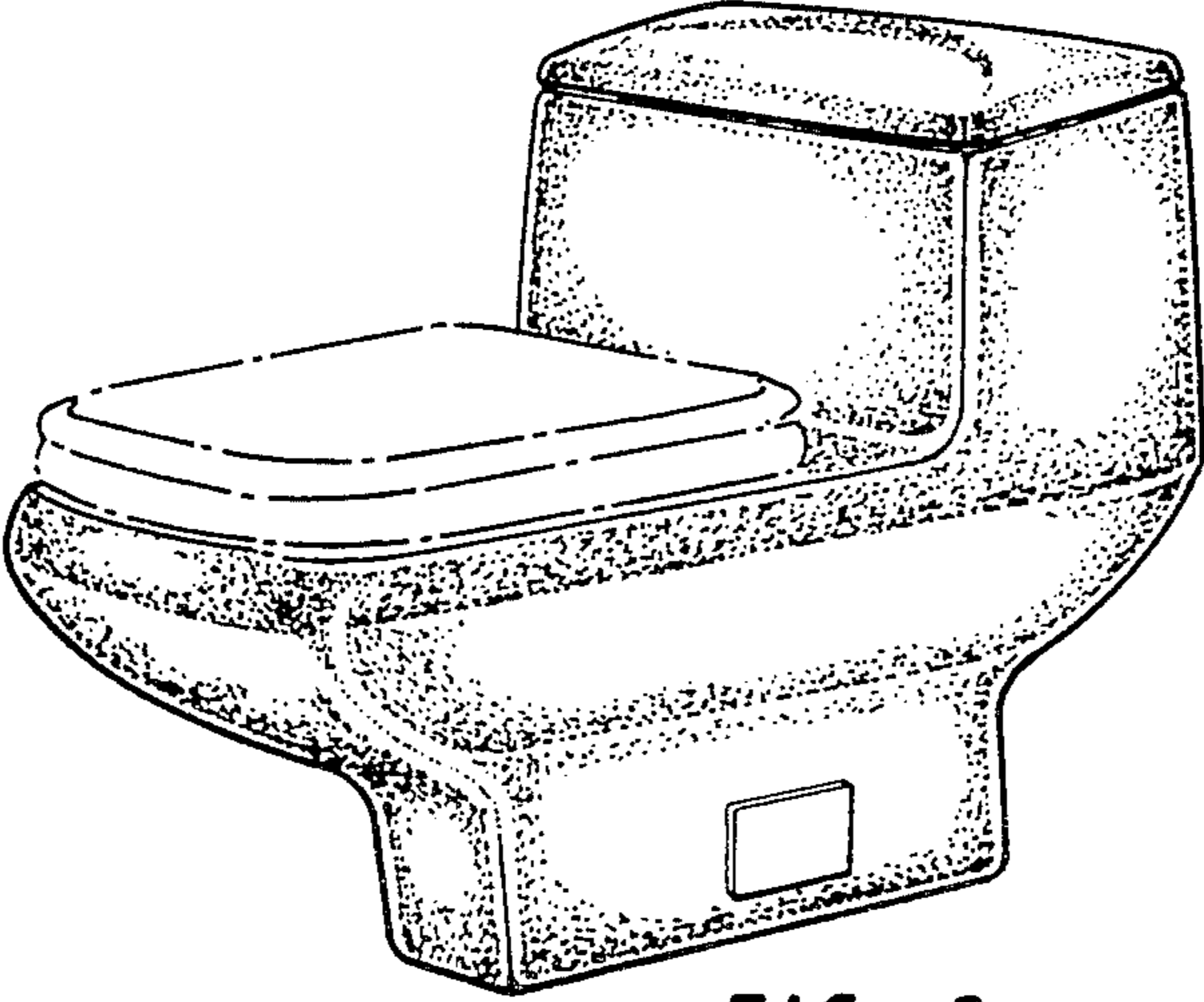


FIG. 3

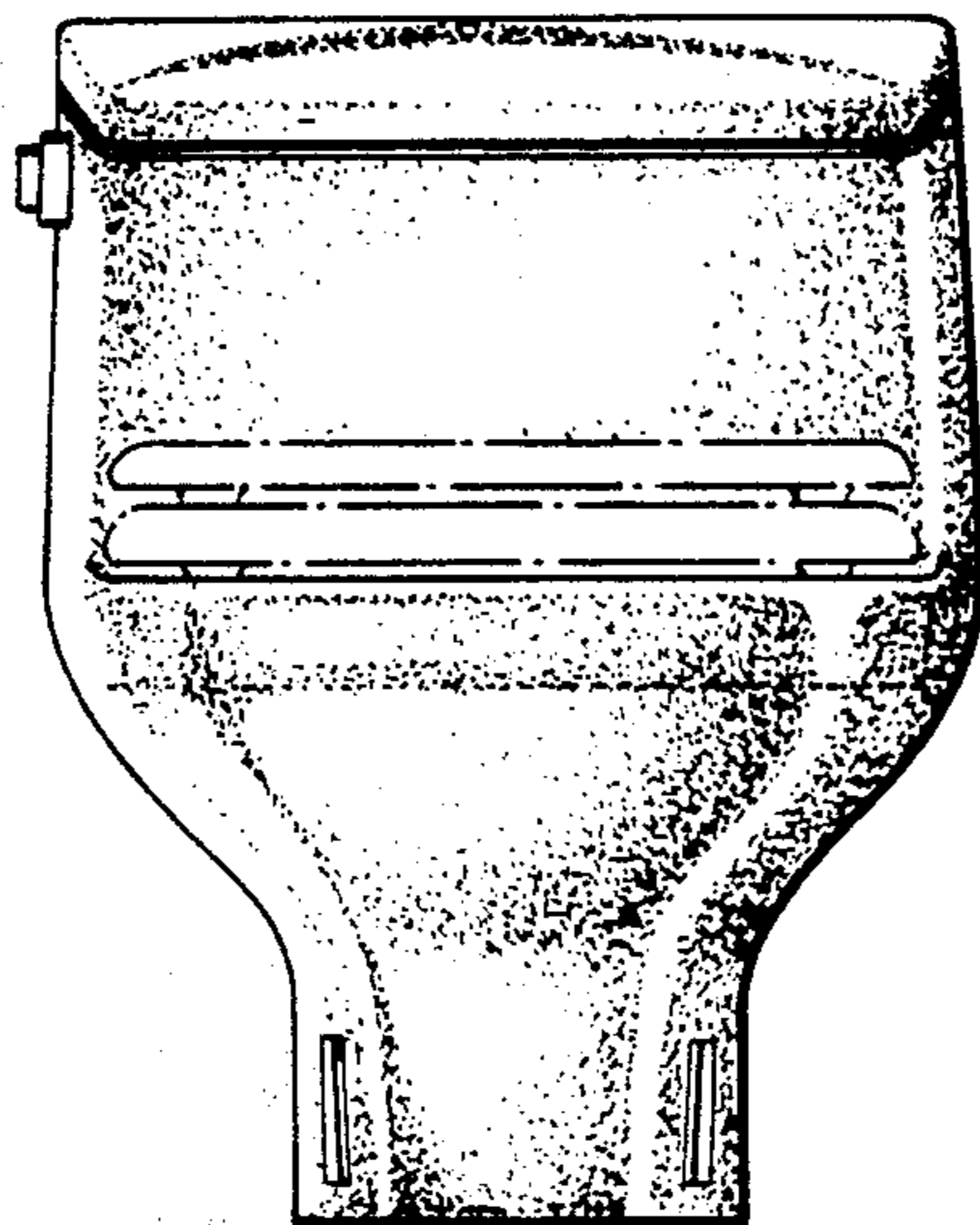


FIG. 4

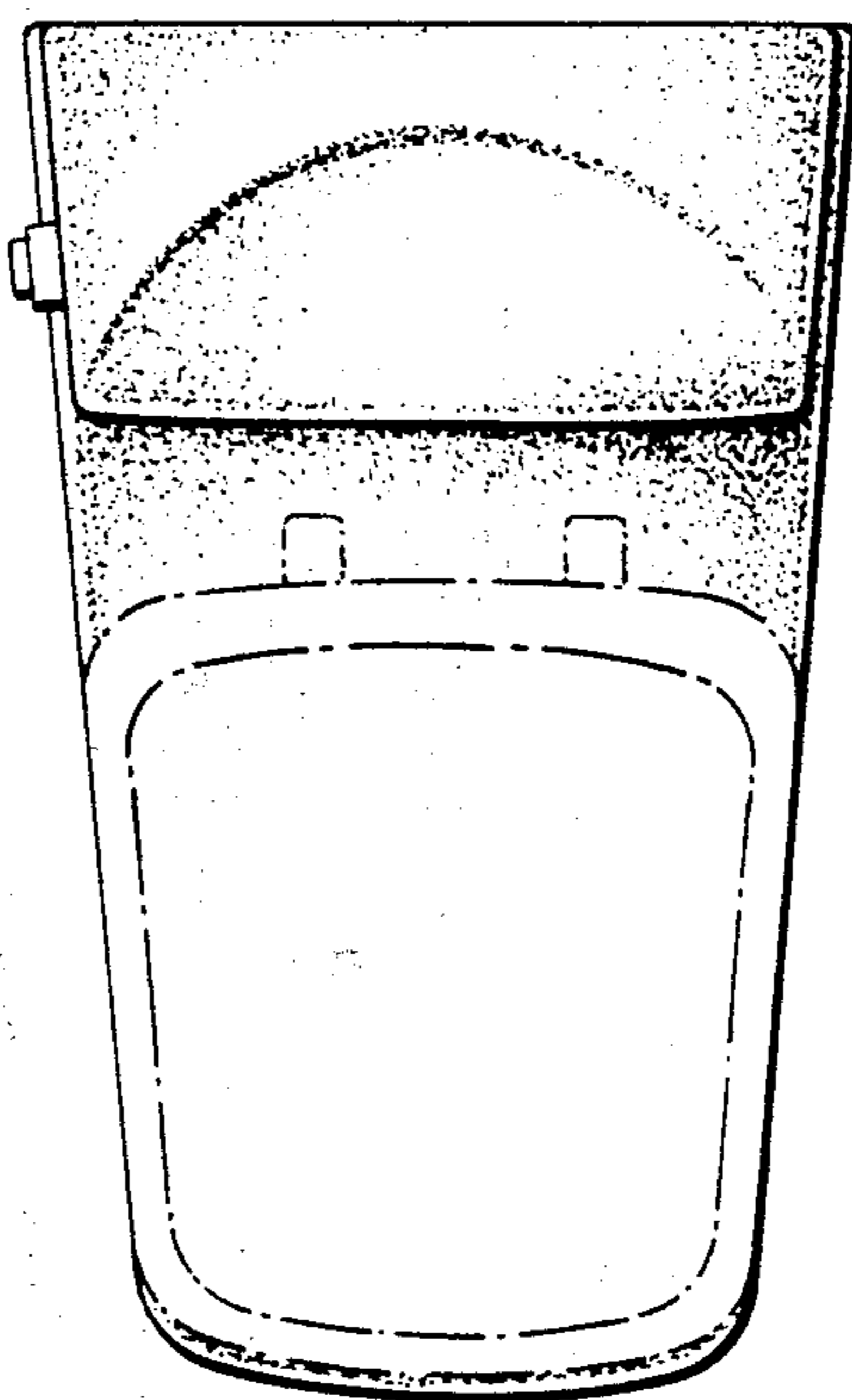


FIG. 5

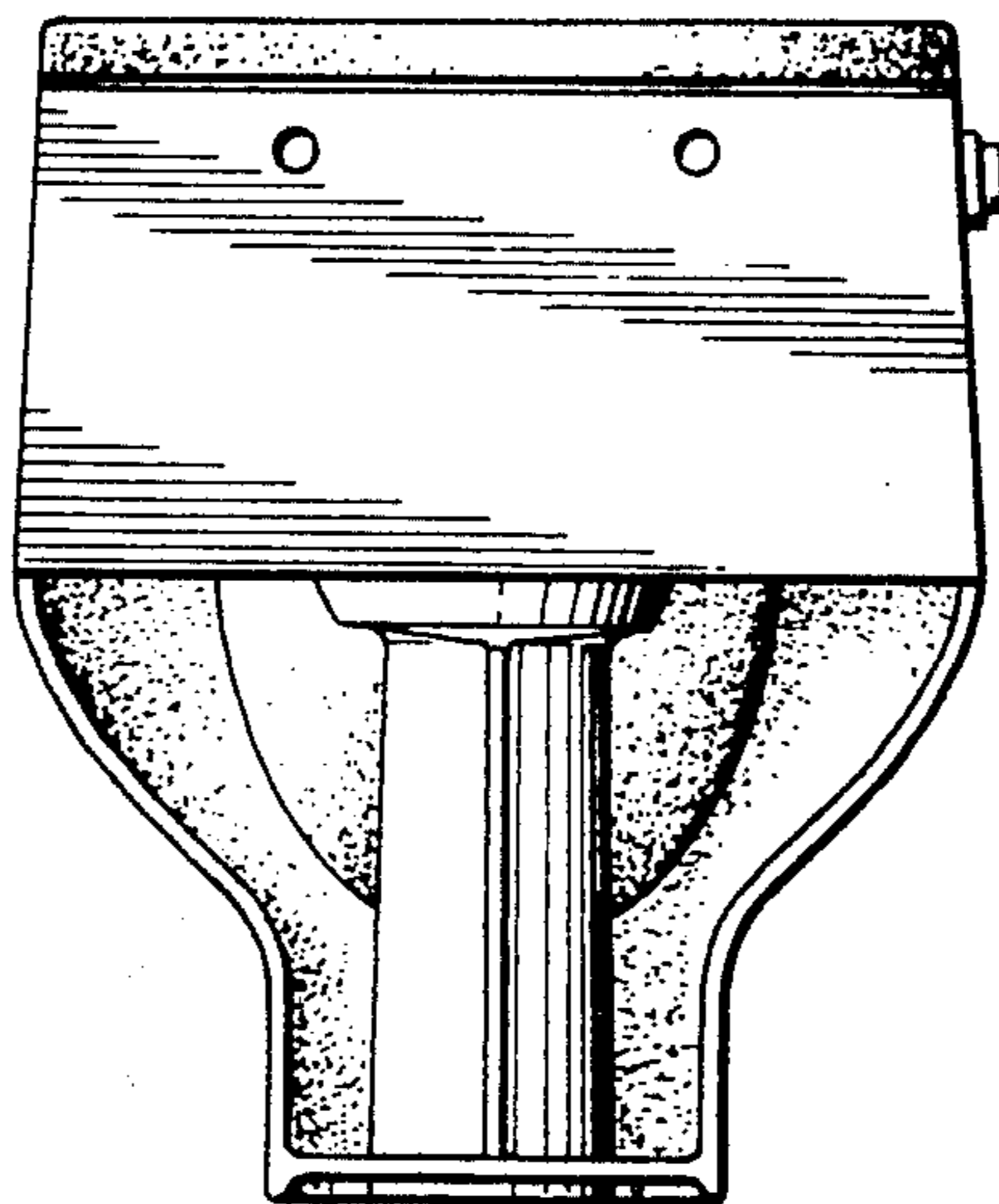


FIG. 6

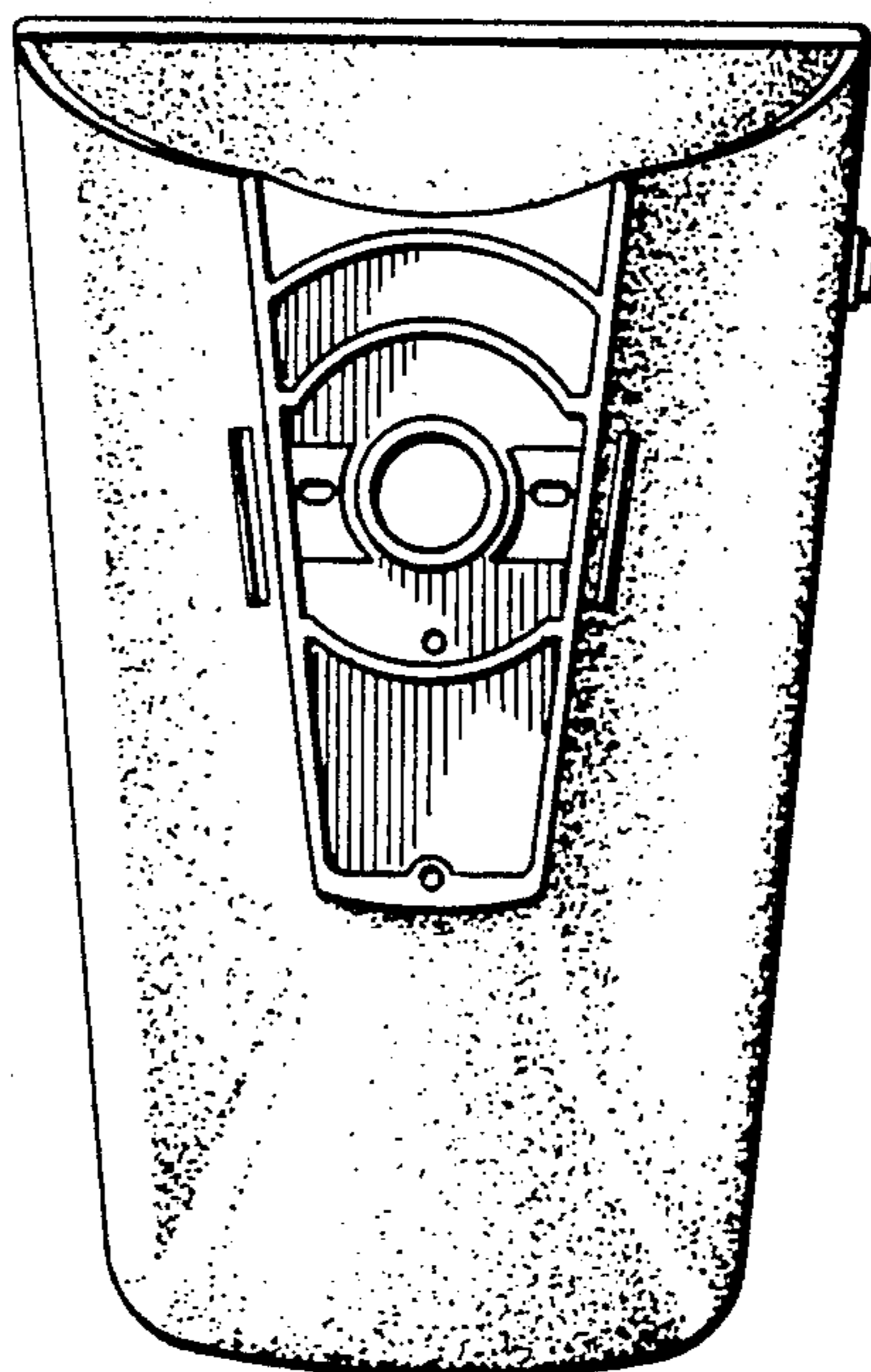
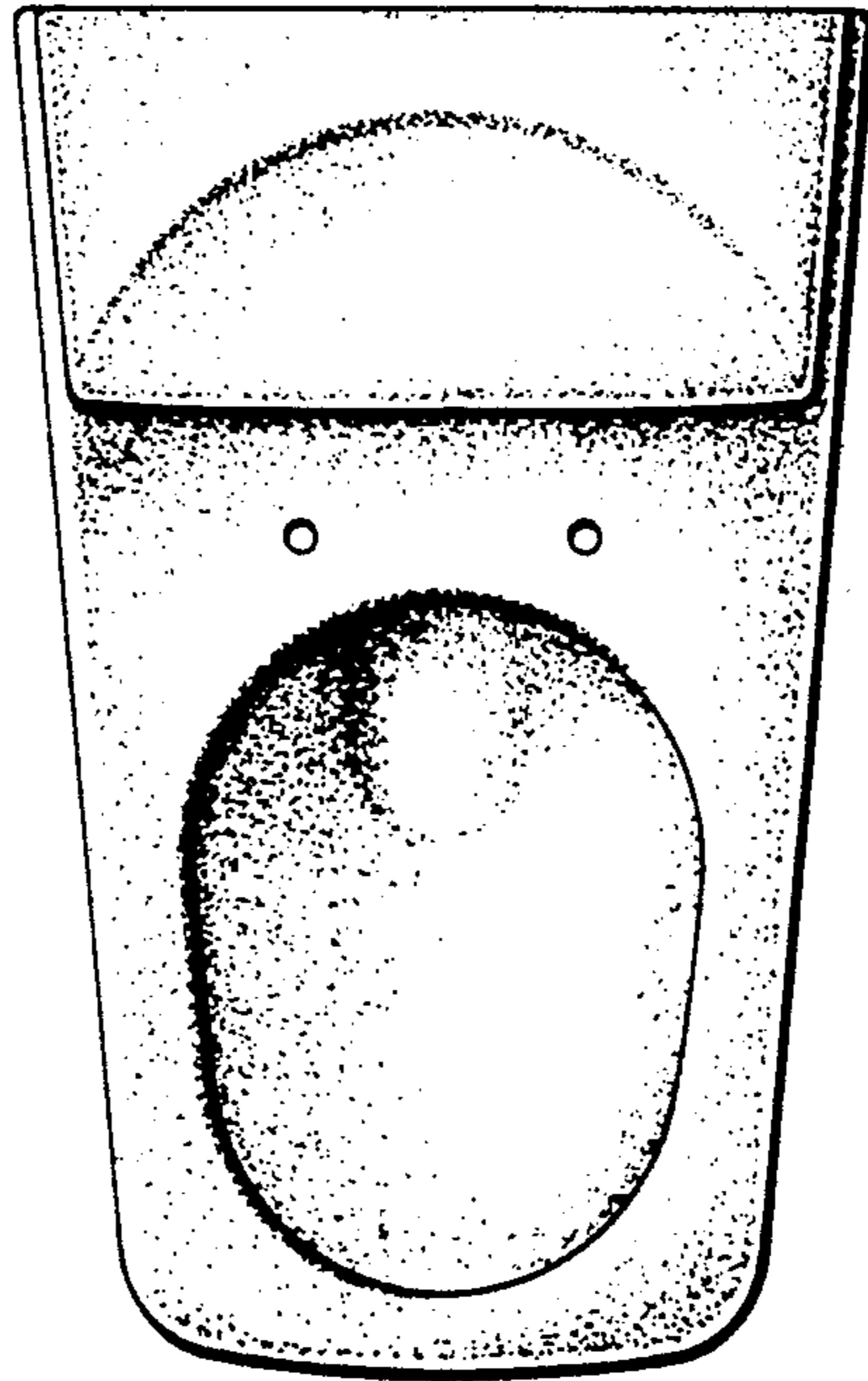


FIG. 7



*FIG. 8*