

United States Patent [19]

Hammarstedt

[11] Patent Number: **Des. 284,302**

[45] Date of Patent: **** Jun. 17, 1986**

[54] FAUCET

[75] Inventor: **Gösta Hammarstedt, Alstermo, Sweden**

[73] Assignee: **Arcu Armaturindustri AB, Alstermo, Sweden**

[**] Term: **14 Years**

[21] Appl. No.: **589,014**

[22] Filed: **Mar. 13, 1984**

[52] U.S. Cl. **D23/25**

[58] Field of Search **D23/19-32; 4/191, 192**

[56] **References Cited**

U.S. PATENT DOCUMENTS

- D. 226,660 4/1973 Mendenhall D23/25
- D. 237,495 11/1975 Gustafsson D23/25
- D. 250,272 11/1978 Jones D23/25

- D. 253,607 12/1979 Haug D23/23
- D. 253,906 1/1980 Colani D23/25
- D. 281,097 10/1985 Arnold et al. D23/25

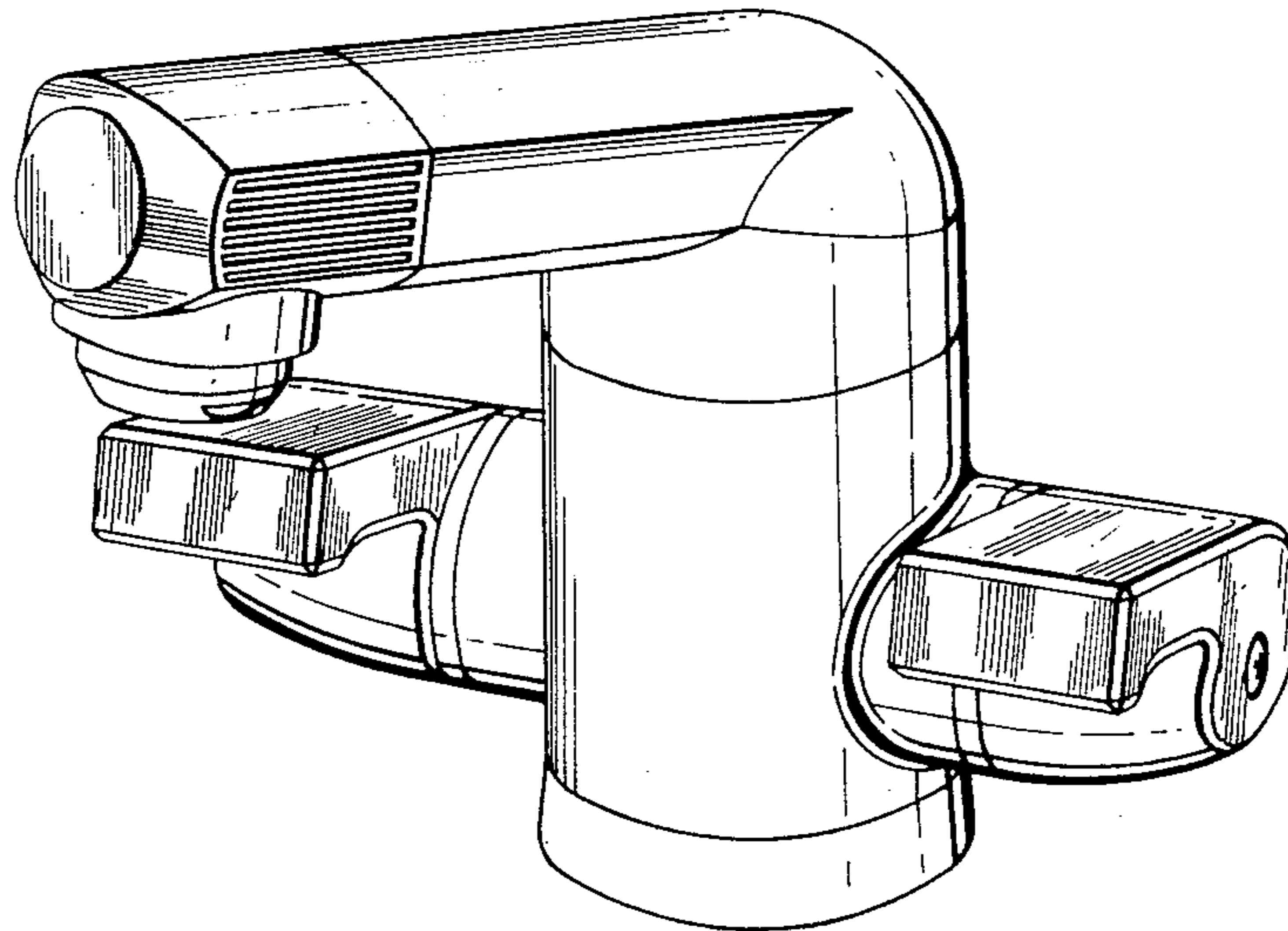
Primary Examiner—James R. Largen
Attorney, Agent, or Firm—Browdy and Neimark

[57] **CLAIM**

The ornamental design for a faucet, as shown.

DESCRIPTION

FIG. 1 is a perspective view taken from the top, front and right side of a faucet showing my new design; FIG. 2 is a front elevational view thereof; FIG. 3 is a rear elevational view thereof; FIG. 4 is a left side elevational view thereof; FIG. 5 is a perspective view taken from the top, front and right side of a modified form of the faucet shown in FIG. 1; FIG. 6 is a front elevational view of FIG. 5; FIG. 7 is a rear elevational view of FIG. 5; and FIG. 8 is a left side elevational view of FIG. 5.



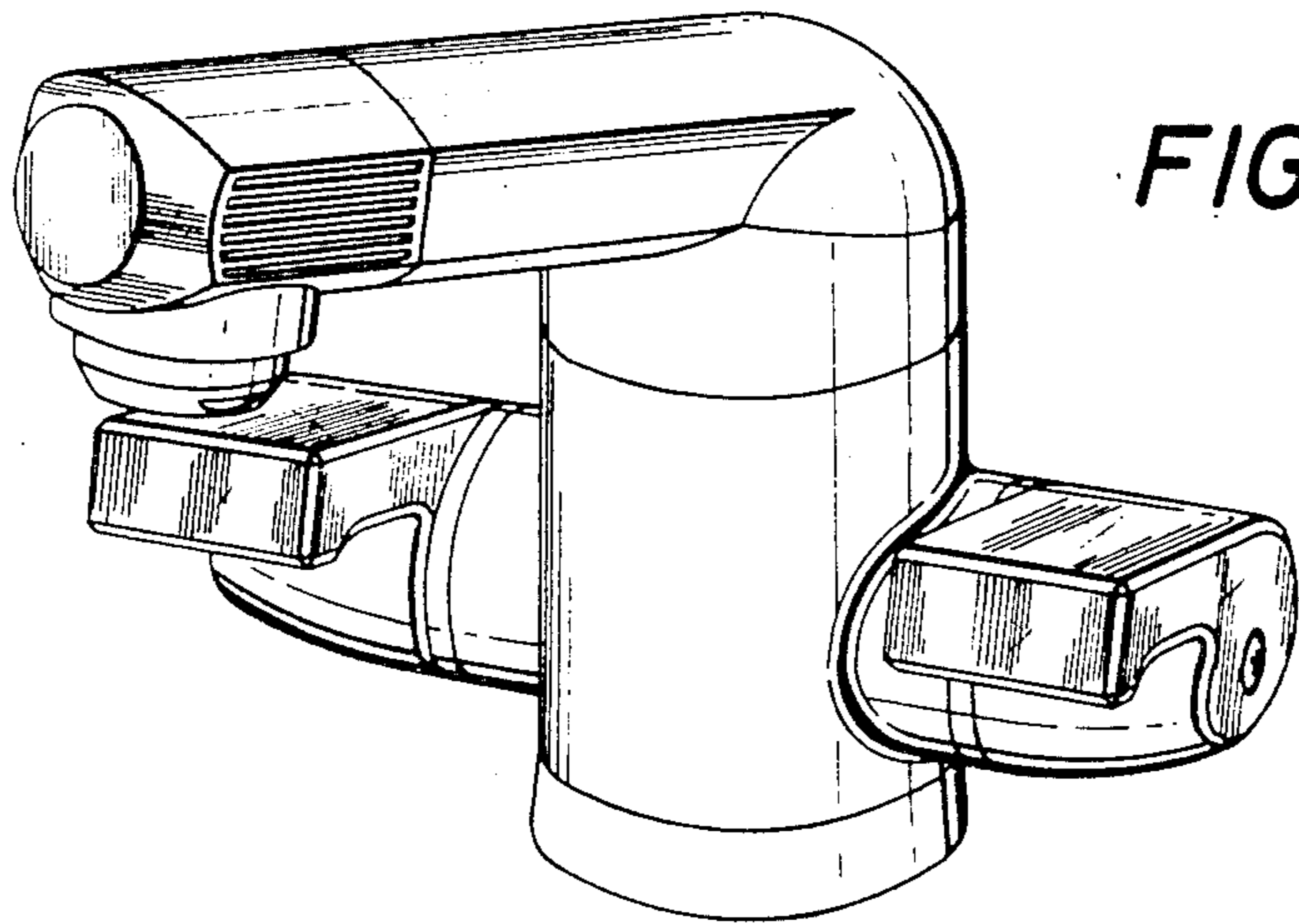


FIG. 1

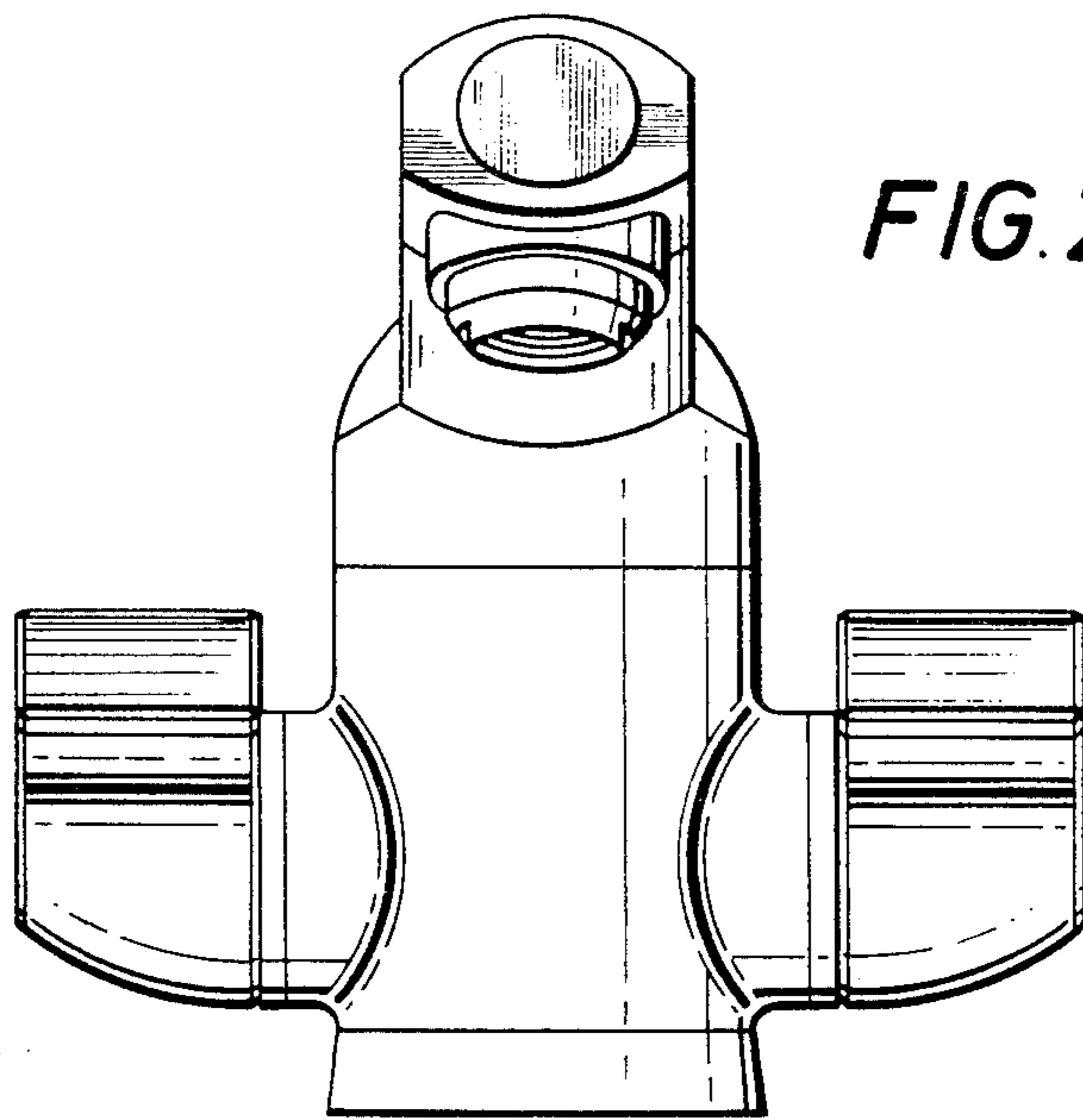
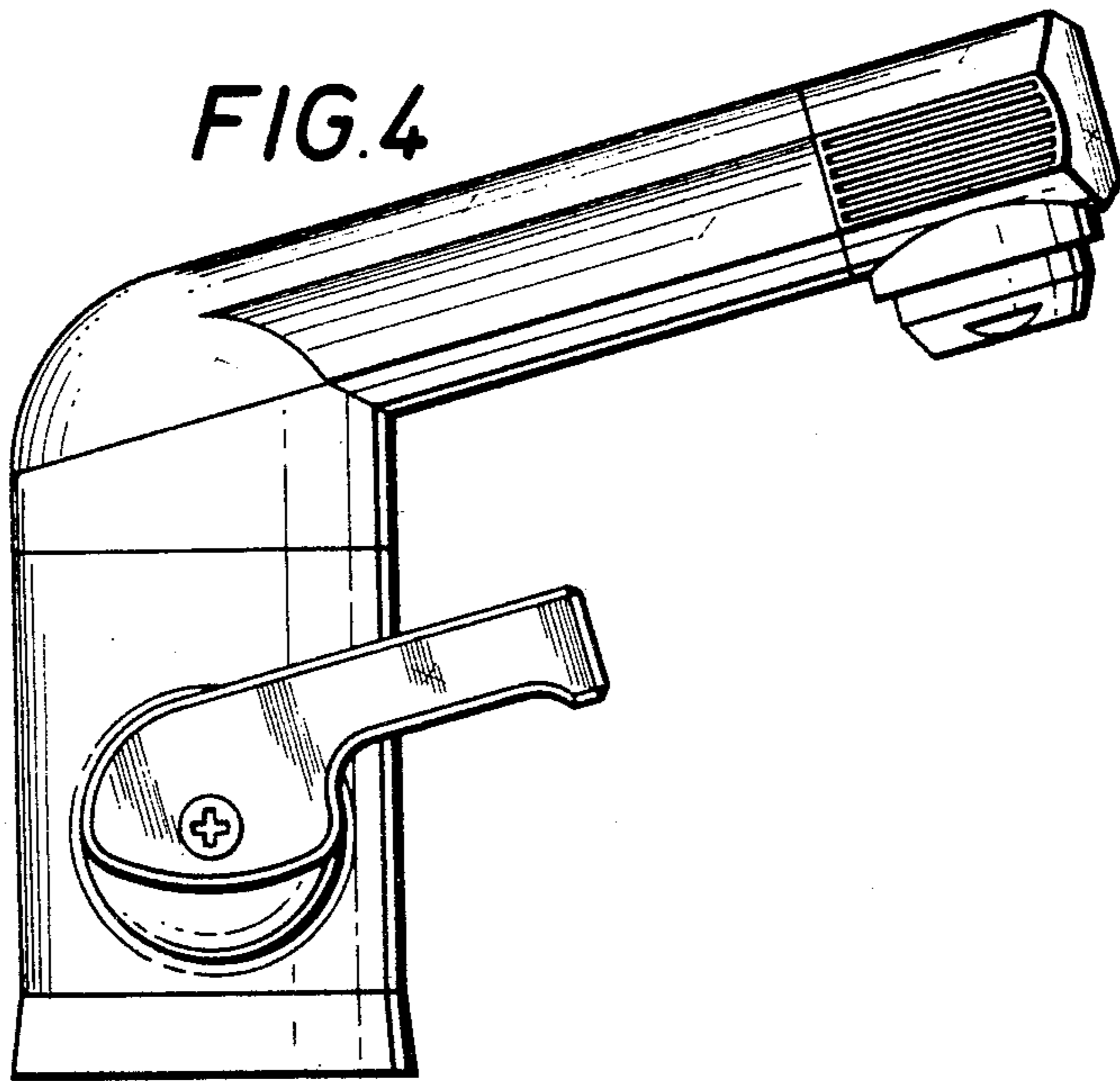
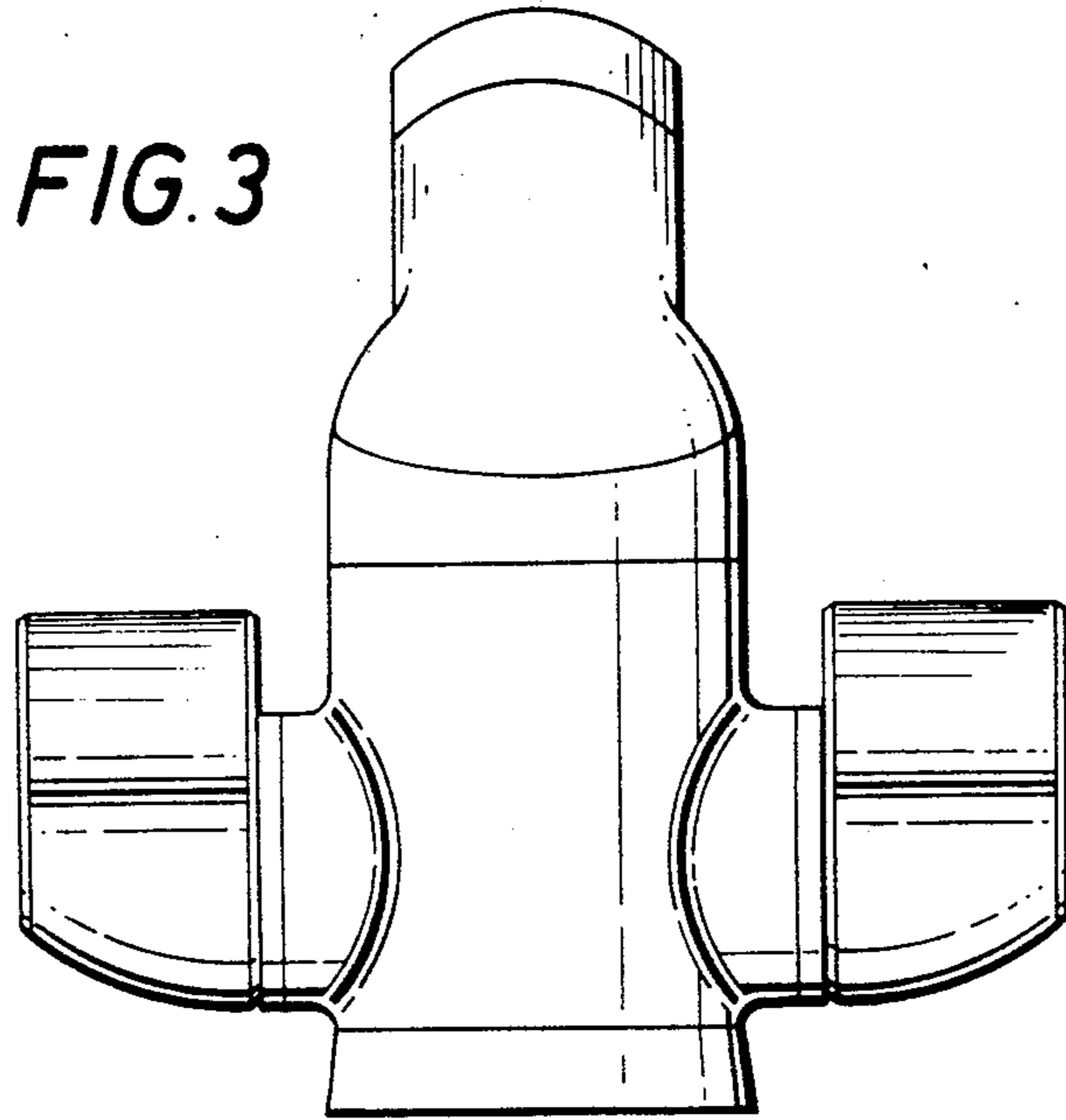


FIG. 2



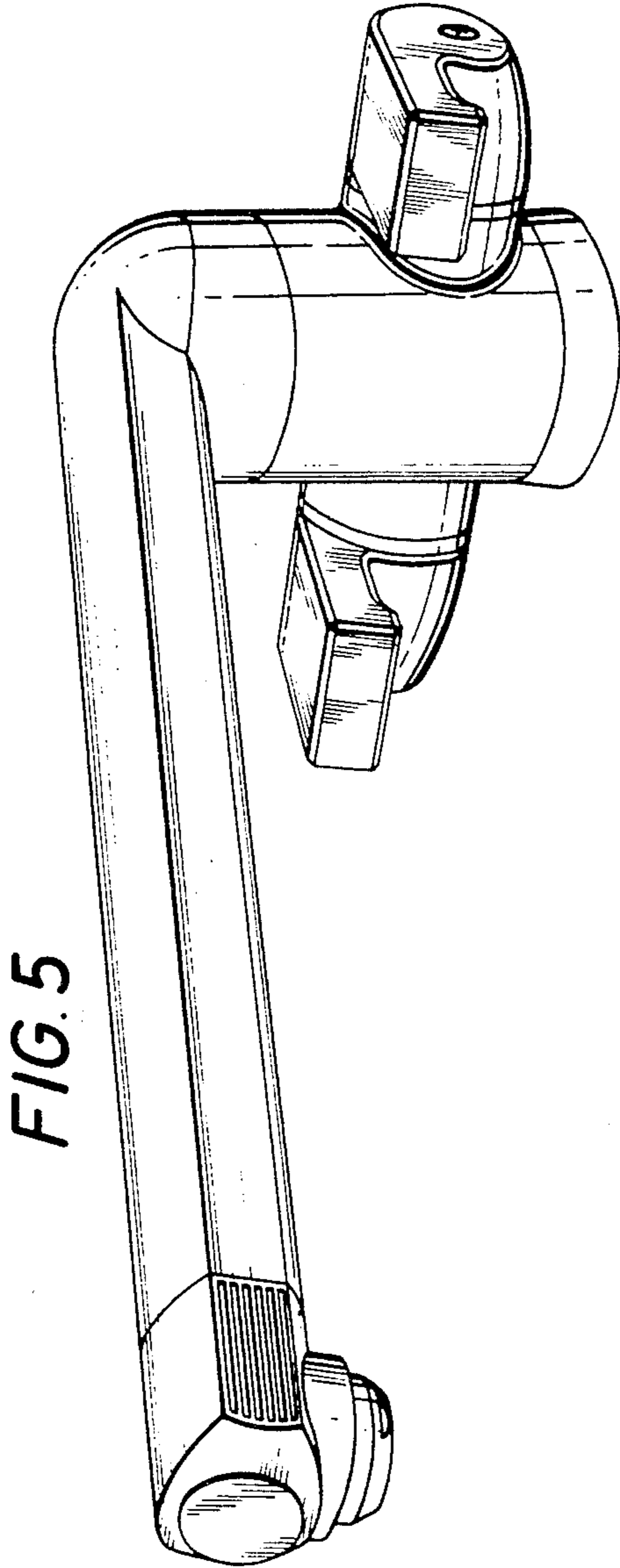


FIG. 5

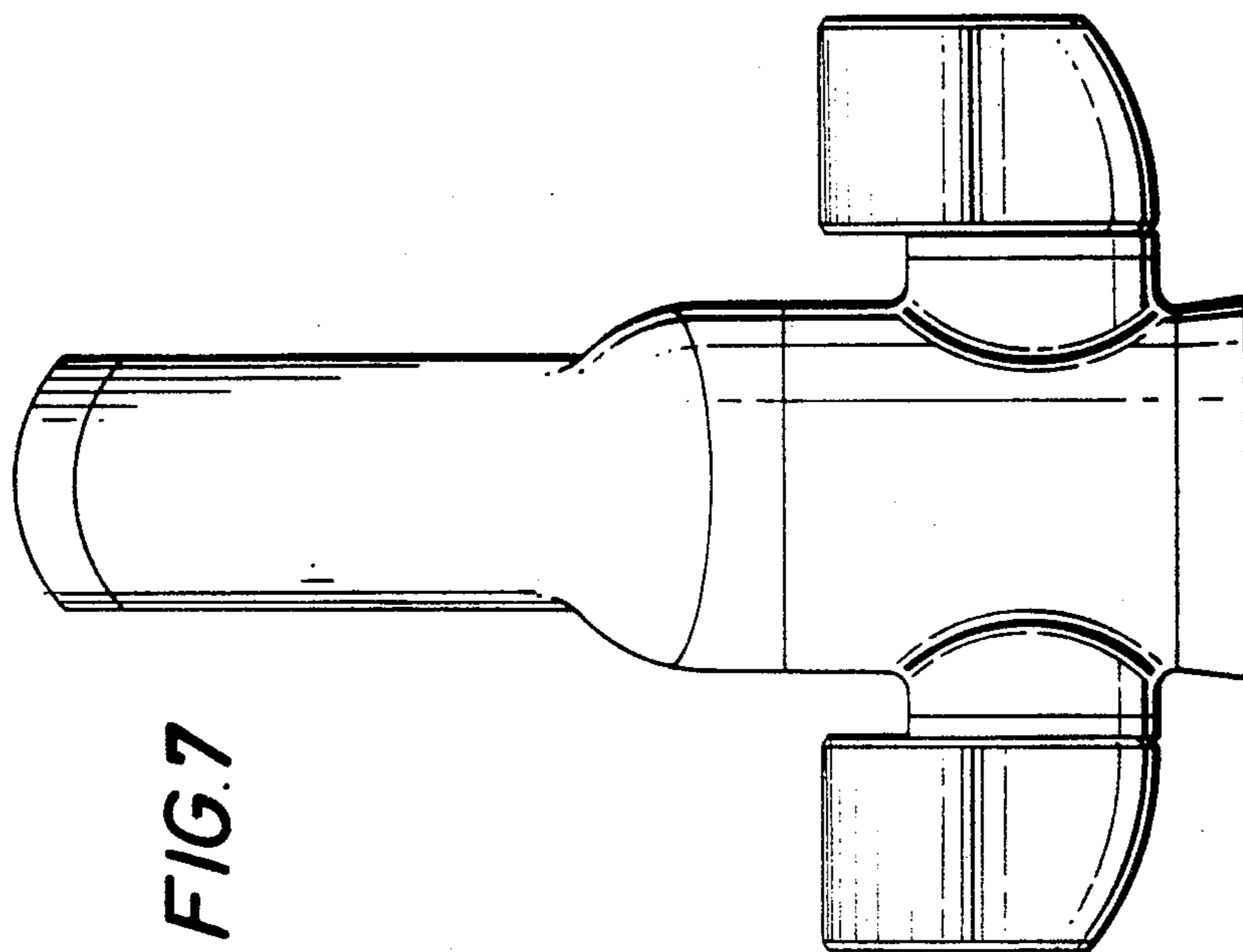


FIG. 7

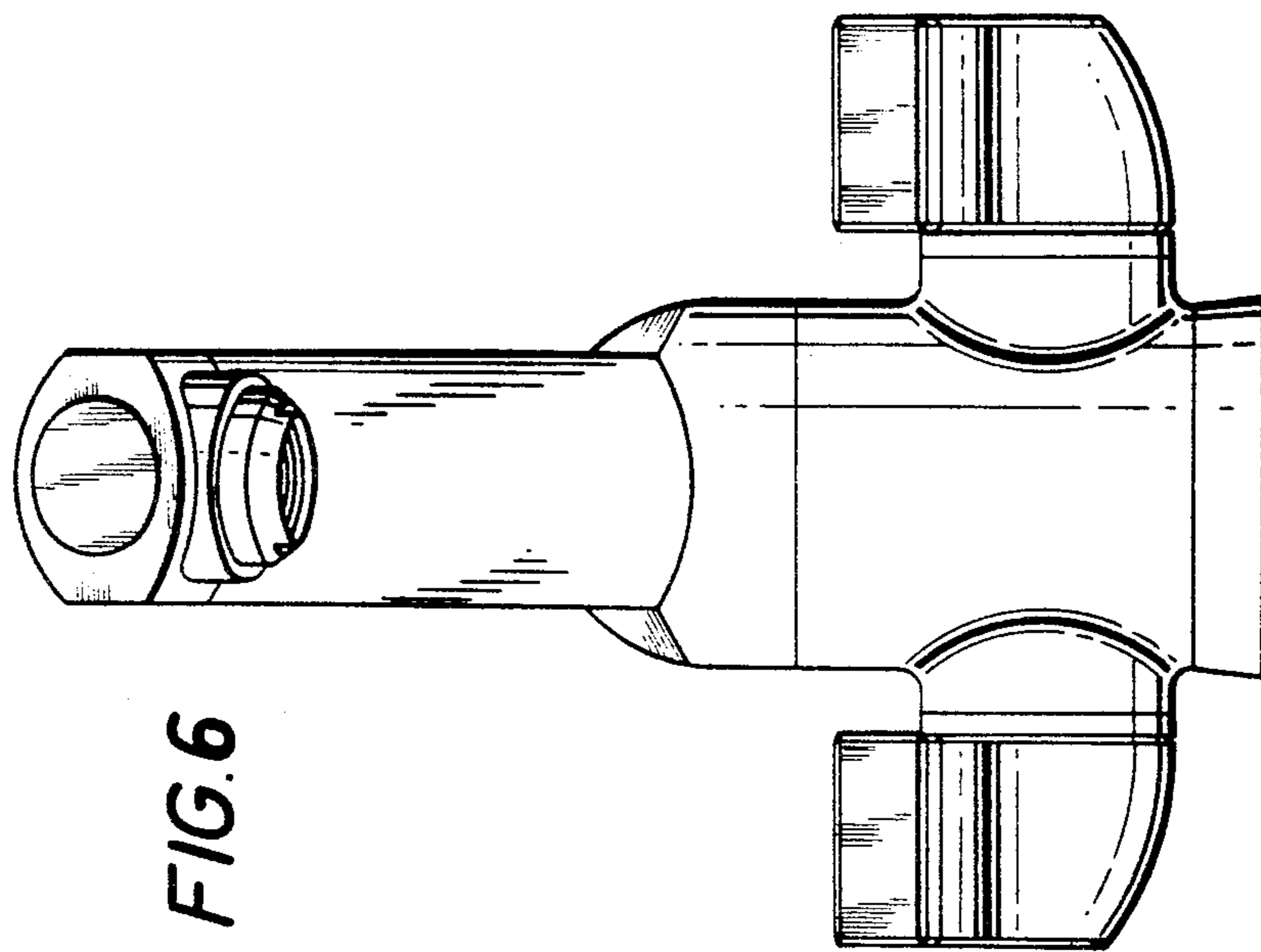


FIG. 6

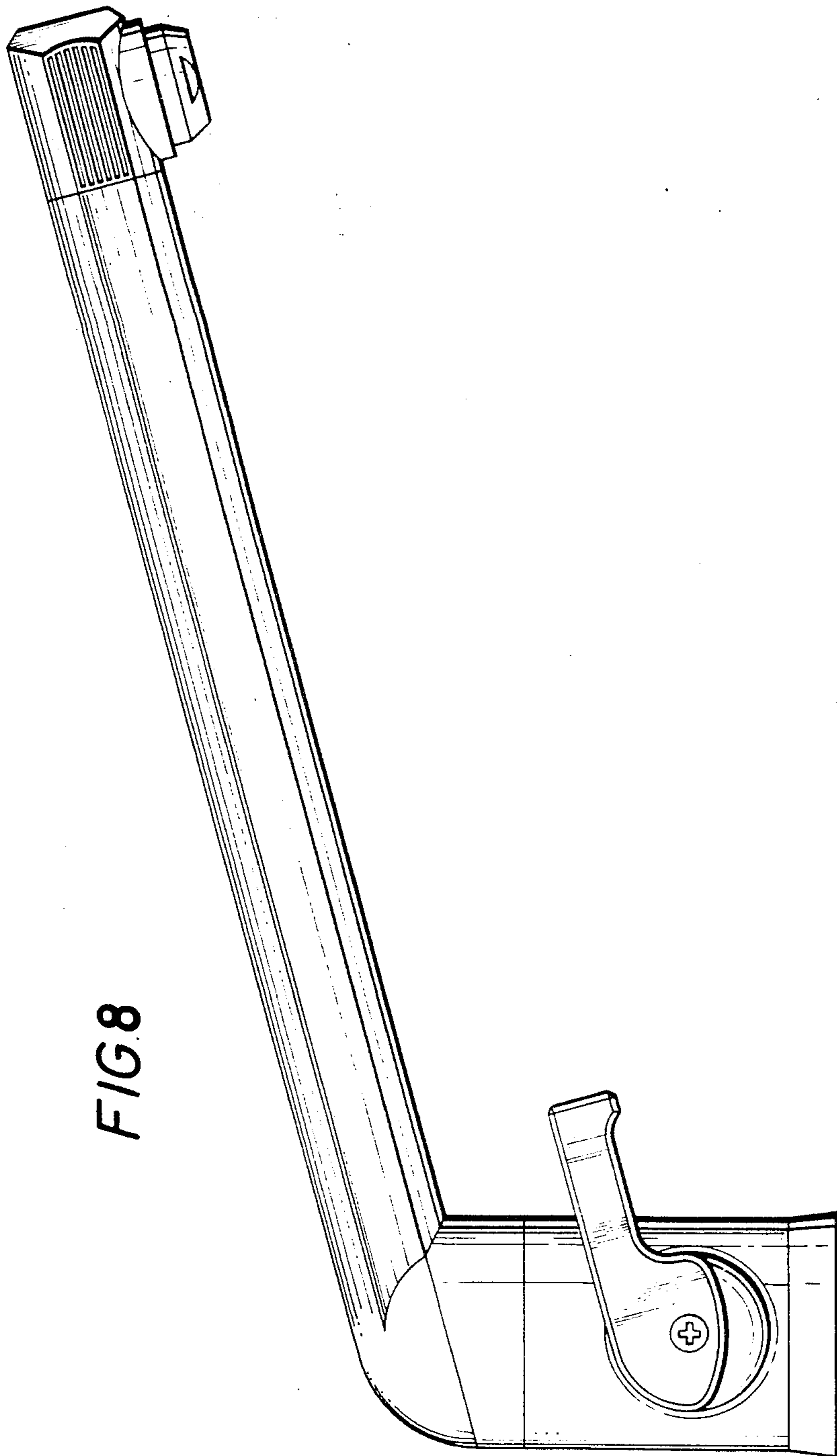


FIG 8