

[54] **EXERCISE BENCH**

[75] **Inventor:** Parker E. Mahnke, Studio City, Calif.

[73] **Assignee:** Marcy Gymnasium Equipment Co., Alhambra, Calif.

[\*\*] **Term:** 14 Years

[21] **Appl. No.:** 607,003

[22] **Filed:** May 4, 1984

[52] **U.S. Cl.** ..... D21/195

[58] **Field of Search** ..... D21/191-199;  
272/67, 68, 69, 111, 117, 118, 134, 123, 133,  
141, 142, 143, 145

[56] **References Cited**

**U.S. PATENT DOCUMENTS**

D. 258,975	4/1981	Irvine .....	D21/191
D. 262,810	1/1982	Lynn .....	D21/191
4,302,009	11/1981	Johnson .	
4,423,865	1/1984	Mahnke .....	272/123

**OTHER PUBLICATIONS**

Universal Exercise Equipment 1980-1981 Catalog. The Sporting Goods Dealer, p. 102, Excel advertisement DP 1981 Catalog, pp. 48-51. Sporting Goods Dealer, 4-1981, p. 102, Exercise Bench at center of page. Sporting Goods Dealer, 9-1980, p. 8, Exercise Benches. Marcy Catalog, 10-1-1982 p. 13, Item #450, Press Bench.

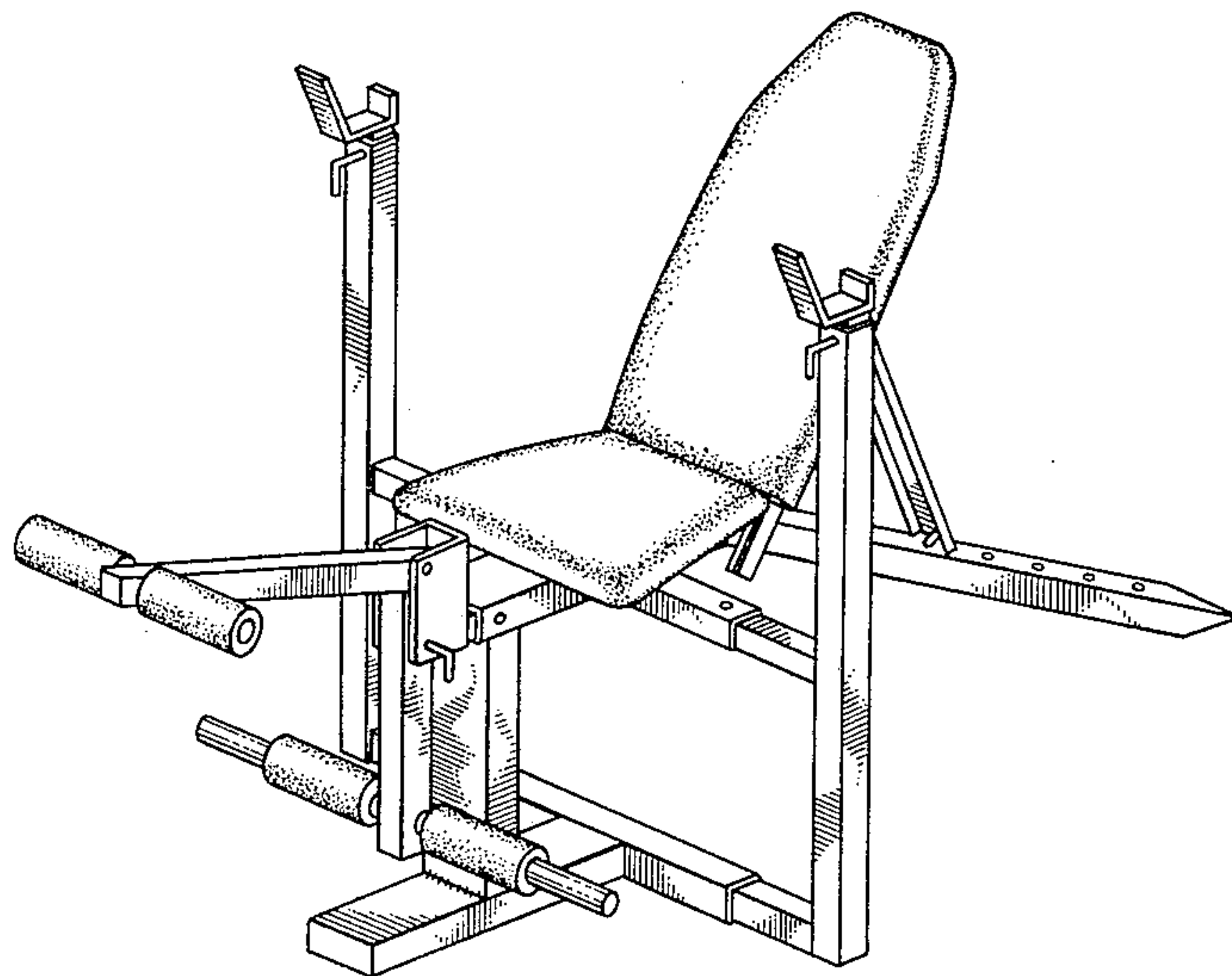
*Primary Examiner*—Charles A. Rademaker  
*Attorney, Agent, or Firm*—James E. Brunton

[57] **CLAIM**

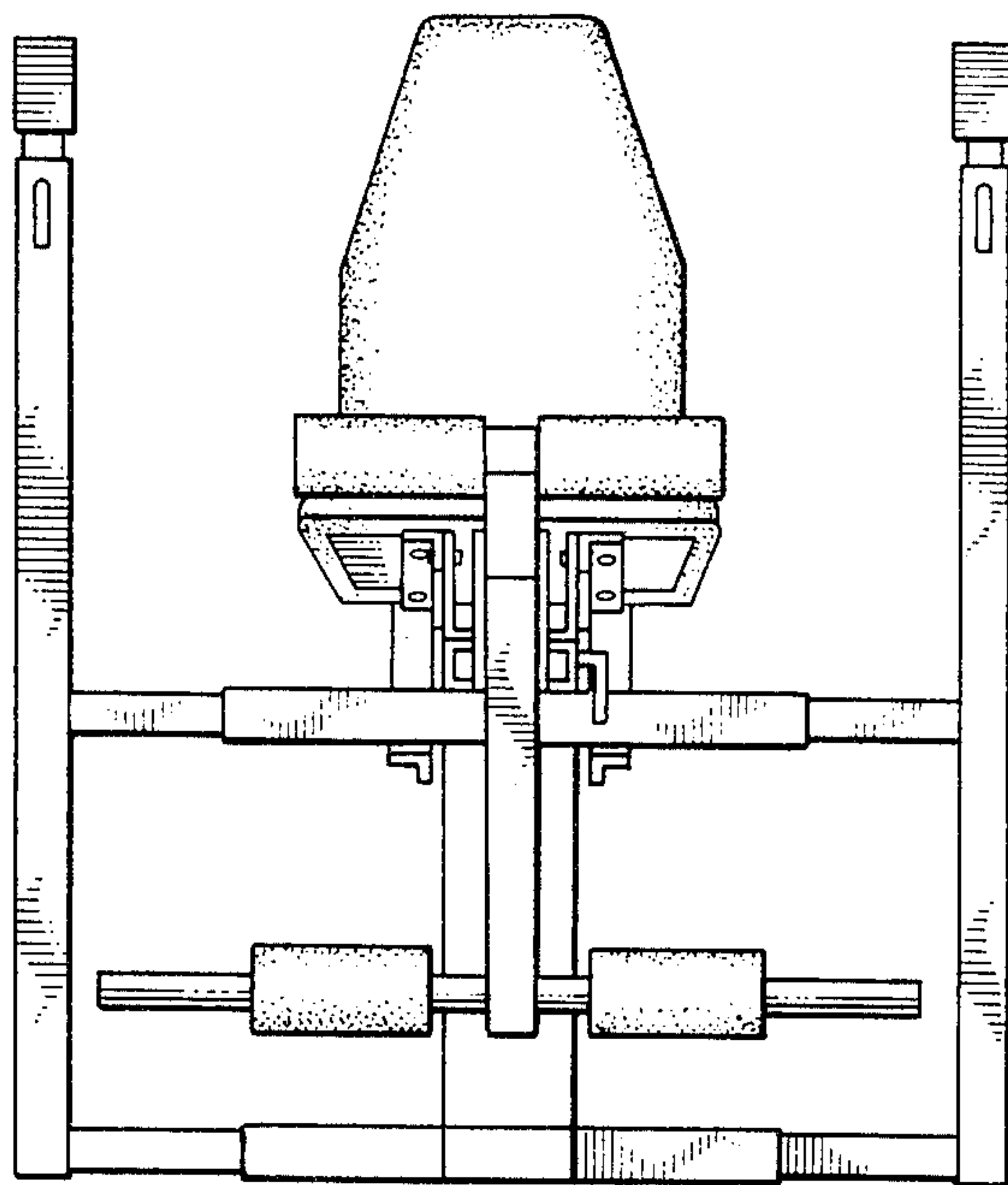
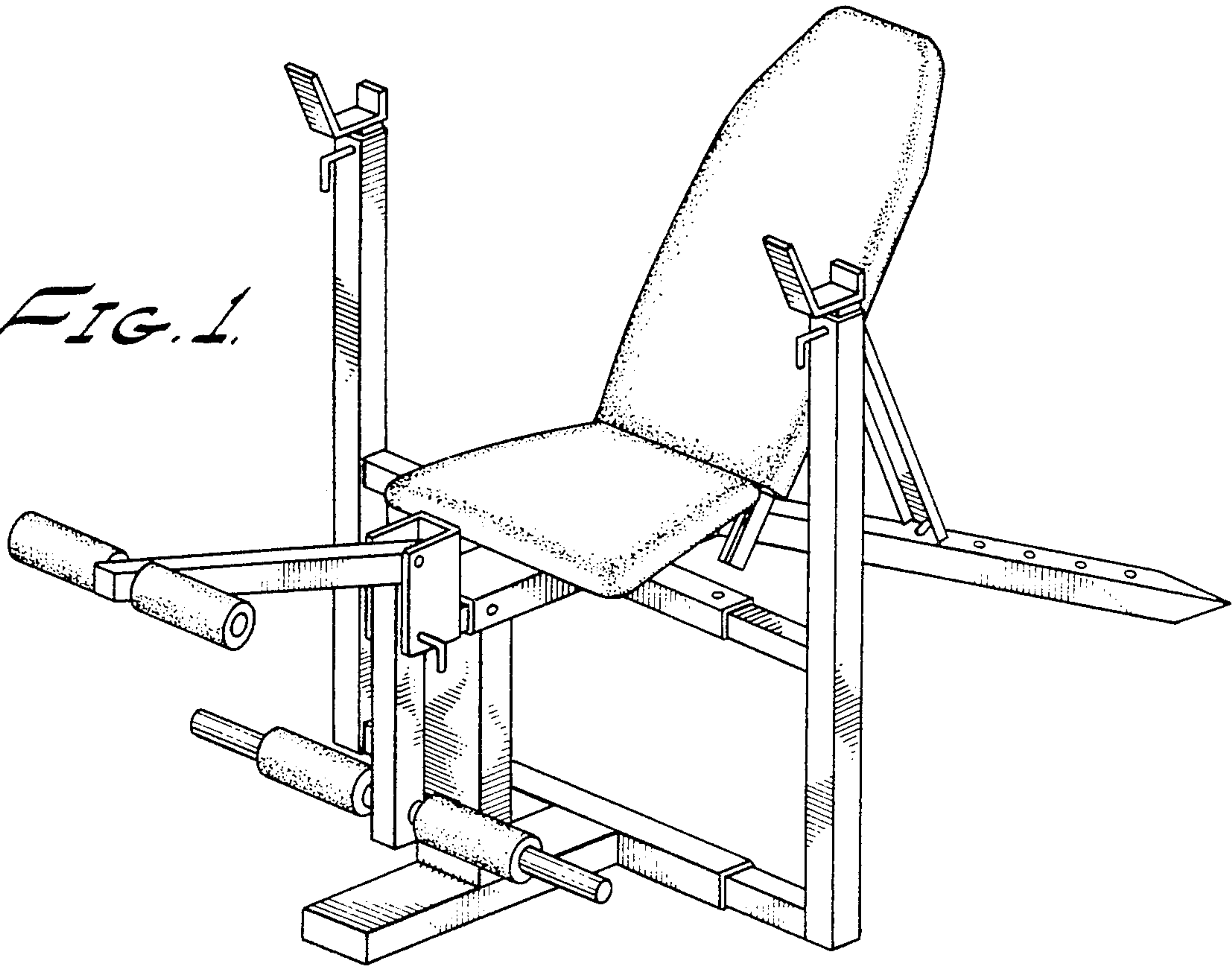
The ornamental design for exercise bench, substantially as shown.

**DESCRIPTION**

FIG. 1 is a perspective view of an exercise bench showing my new design;  
FIG. 2 is a front elevational view thereof;  
FIG. 3 is a side elevational view thereof;  
FIG. 4 is a top plan view thereof; and  
FIG. 5 is a rear elevational view thereof.



*FIG. 1.*



*FIG. 2.*

FIG. 3.

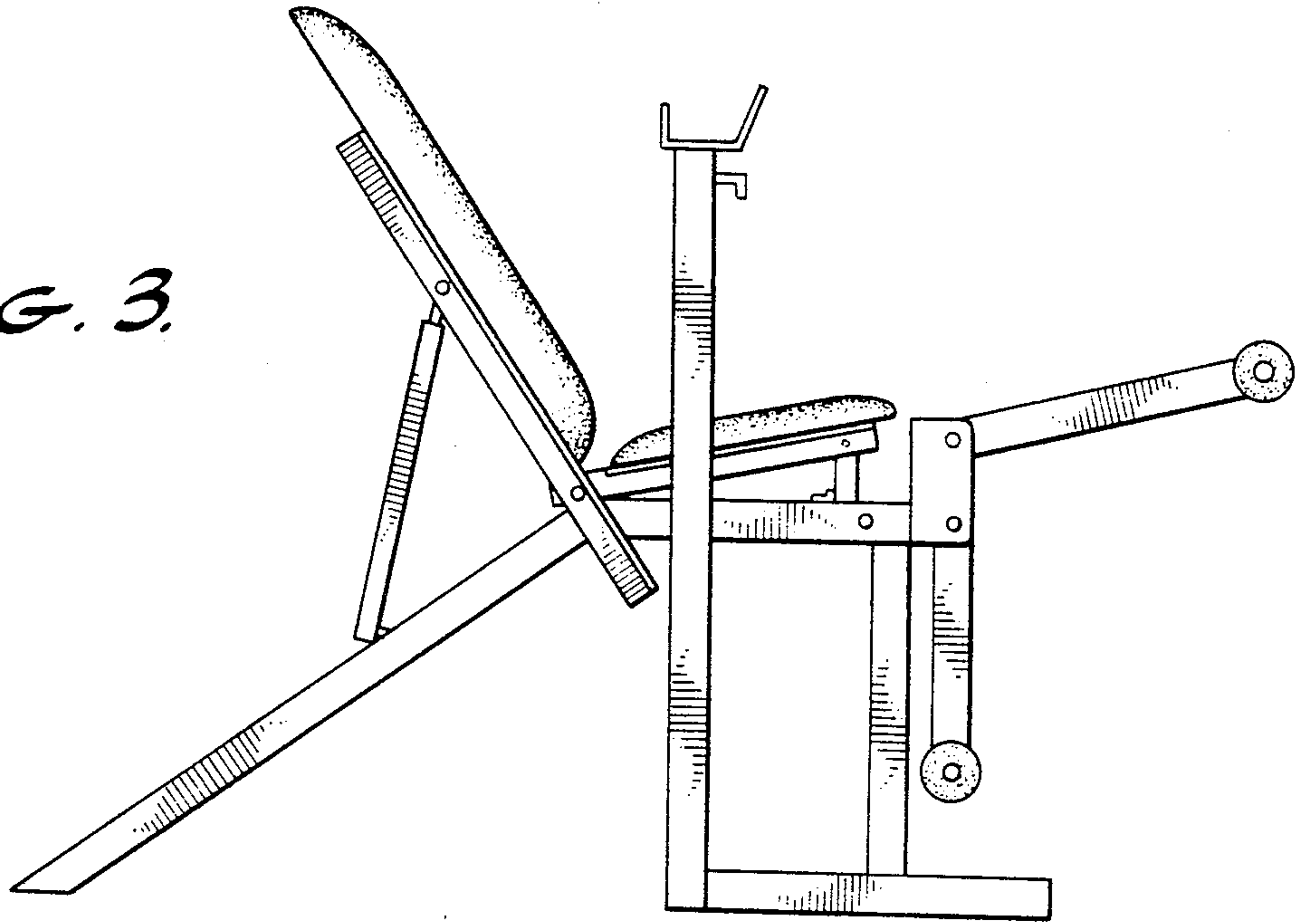


FIG. 5.

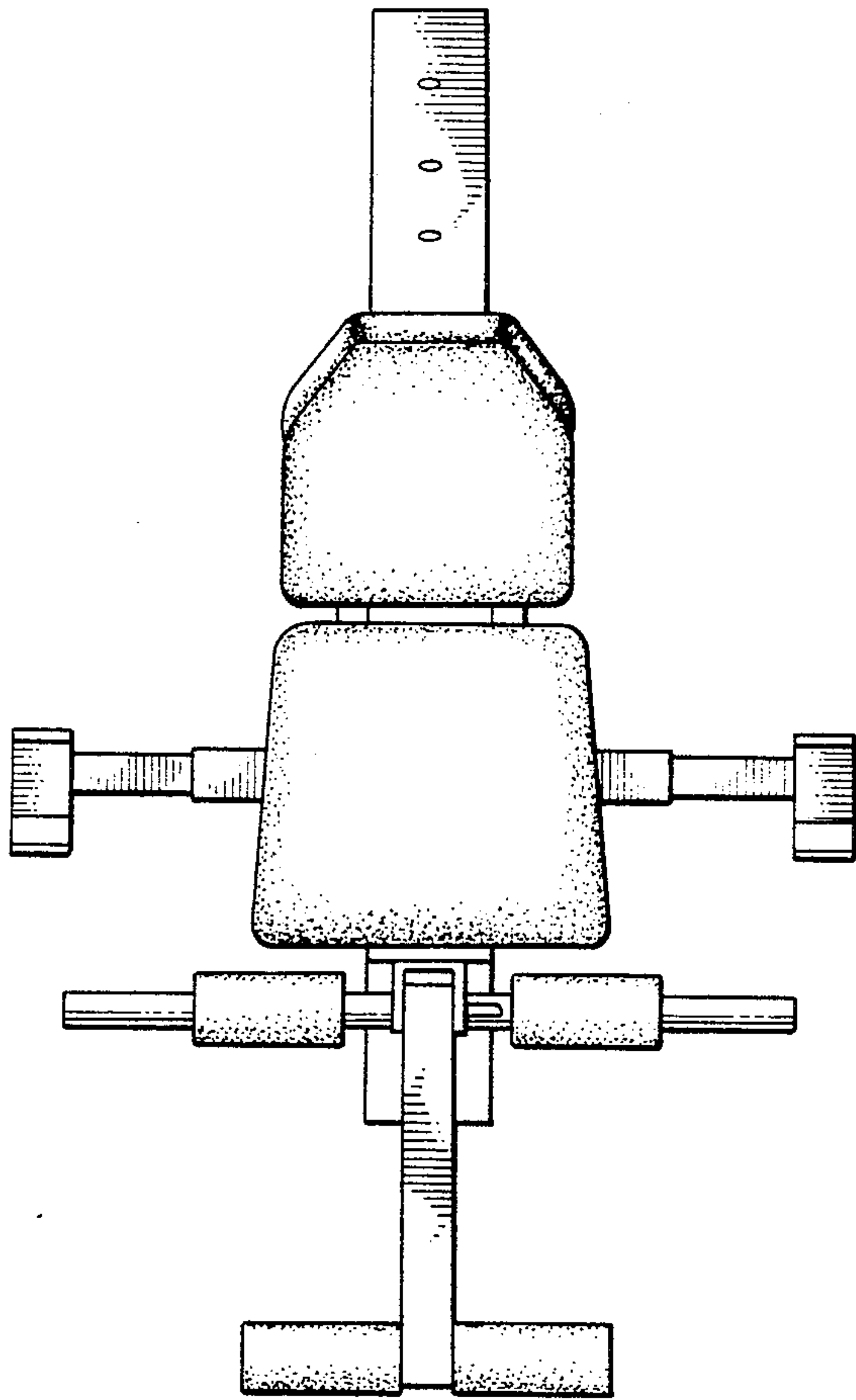
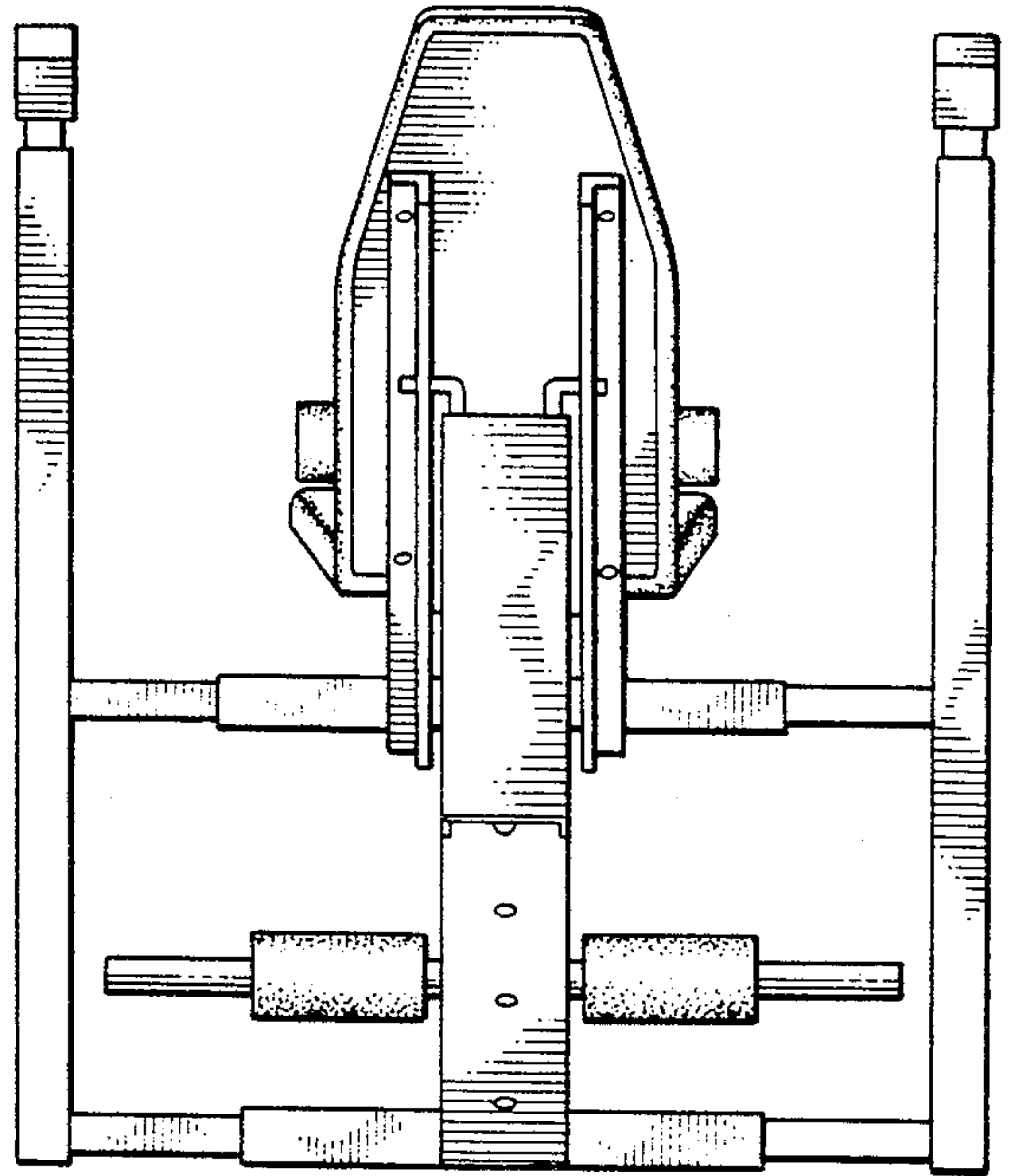


FIG. 4.