

[54] **FAN-FOLD PAPER CATCHER**
[75] **Inventor: Roland R. Cavanagh, Woodside, Calif.**
[73] **Assignee: Kings Mountain Computer Products, Woodside, Calif.**
[**] **Term: 14 Years**
[21] **Appl. No.: 538,161**
[22] **Filed: Oct. 3, 1983**
[52] **U.S. Cl. D18/22; D6/462; D14/114**
[58] **Field of Search D6/462, 407; D19/86, D19/92, 99, 100; D16/32; D14/114; 493/410; D18/22; 211/50, 181**

D. 250,765 1/1979 Smith D16/32
3,514,096 5/1970 Muller 493/410
4,226,410 10/1980 McIntosh et al. 493/410

OTHER PUBLICATIONS

I.B.M. Tech. Disclosure Bulletin, V. 4, No. 1, 6/61, p. 1.
Devoke Data Products Cat. 1981, p. 17, top left.

Primary Examiner—George P. Word
Attorney, Agent, or Firm—Steven P. Brown

[57] **CLAIM**

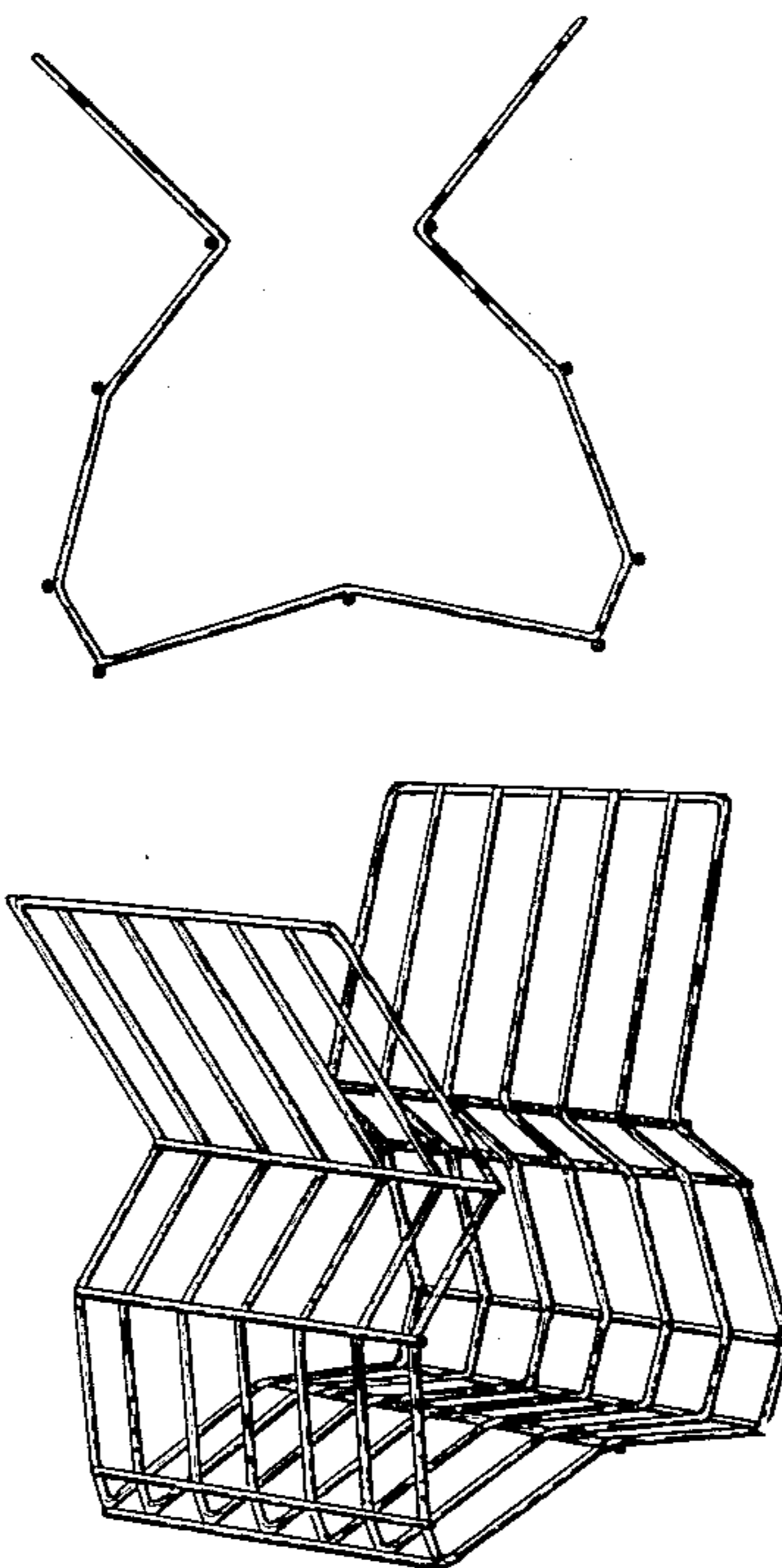
The ornamental design for a fan-fold paper catcher, as shown.

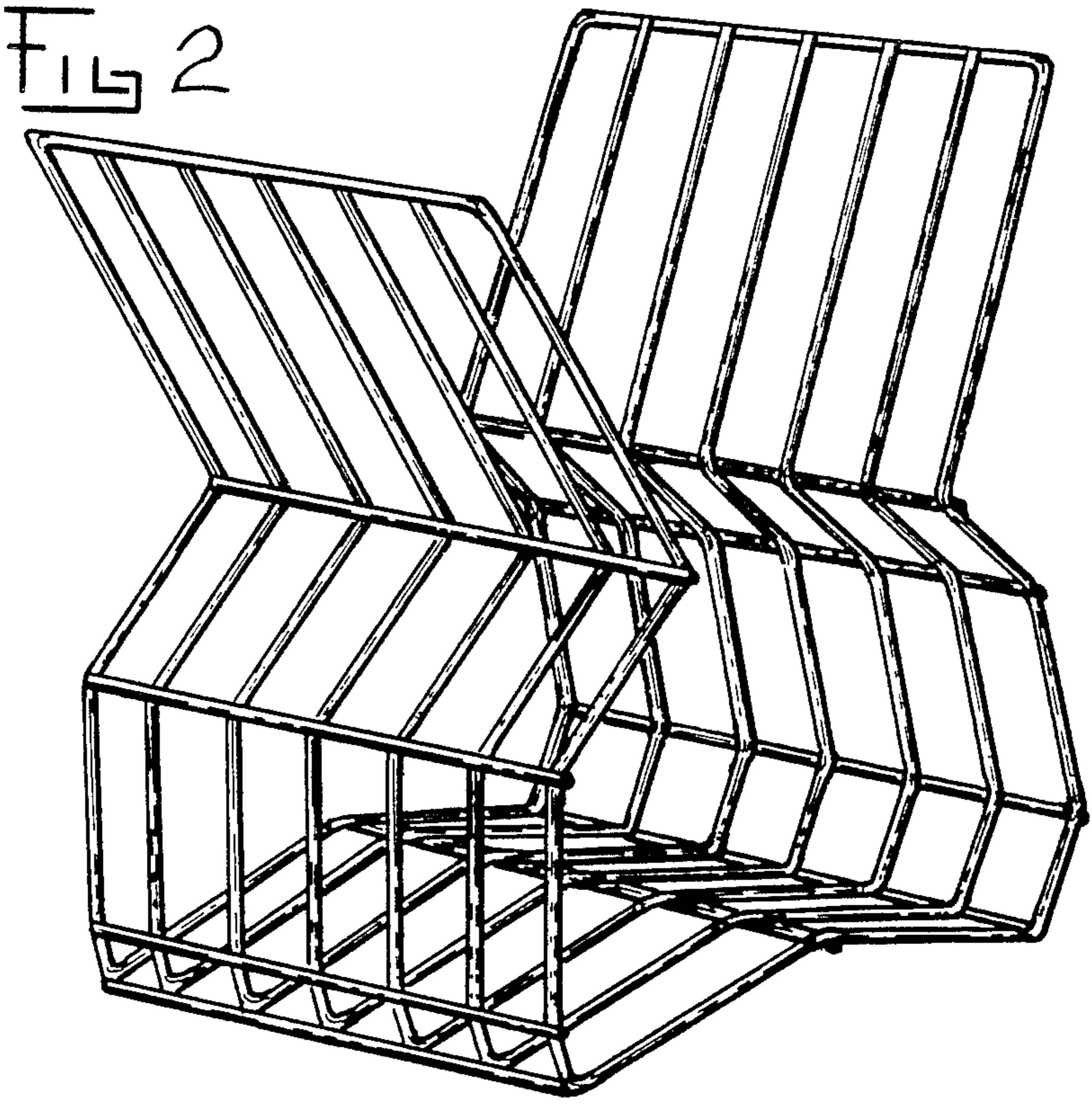
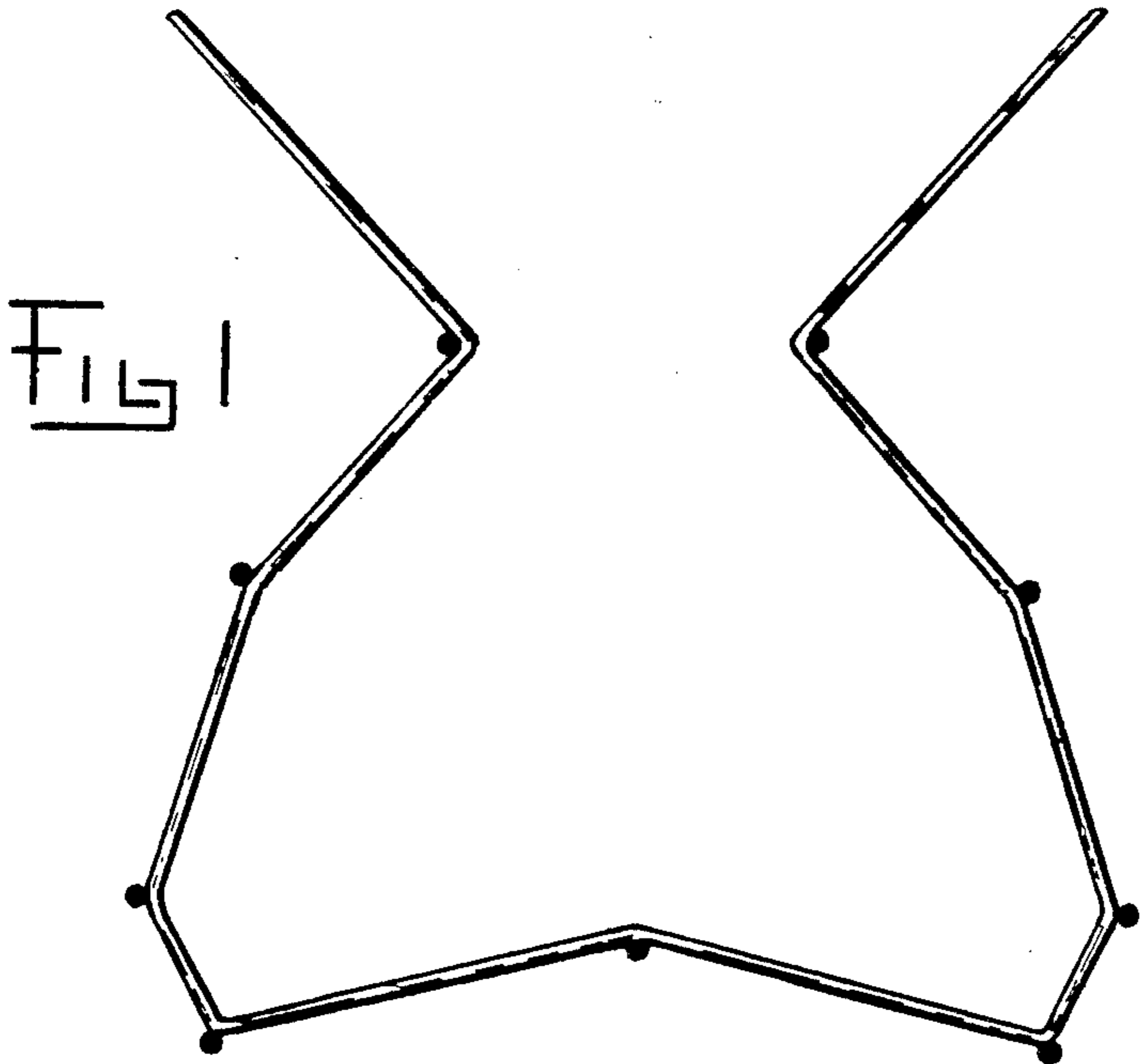
DESCRIPTION

FIG. 1 is a side elevational view of a fan-fold paper catcher showing my new design;
FIG. 2 is a perspective view thereof;
FIG. 3 is an end elevational view thereof;
FIG. 4 is a top plan view thereof; and
FIG. 5 is a bottom plan view thereof.

[56] **References Cited**
U.S. PATENT DOCUMENTS

D. 231,178 4/1974 Wright D6/407
D. 243,042 1/1977 Dorn D6/407





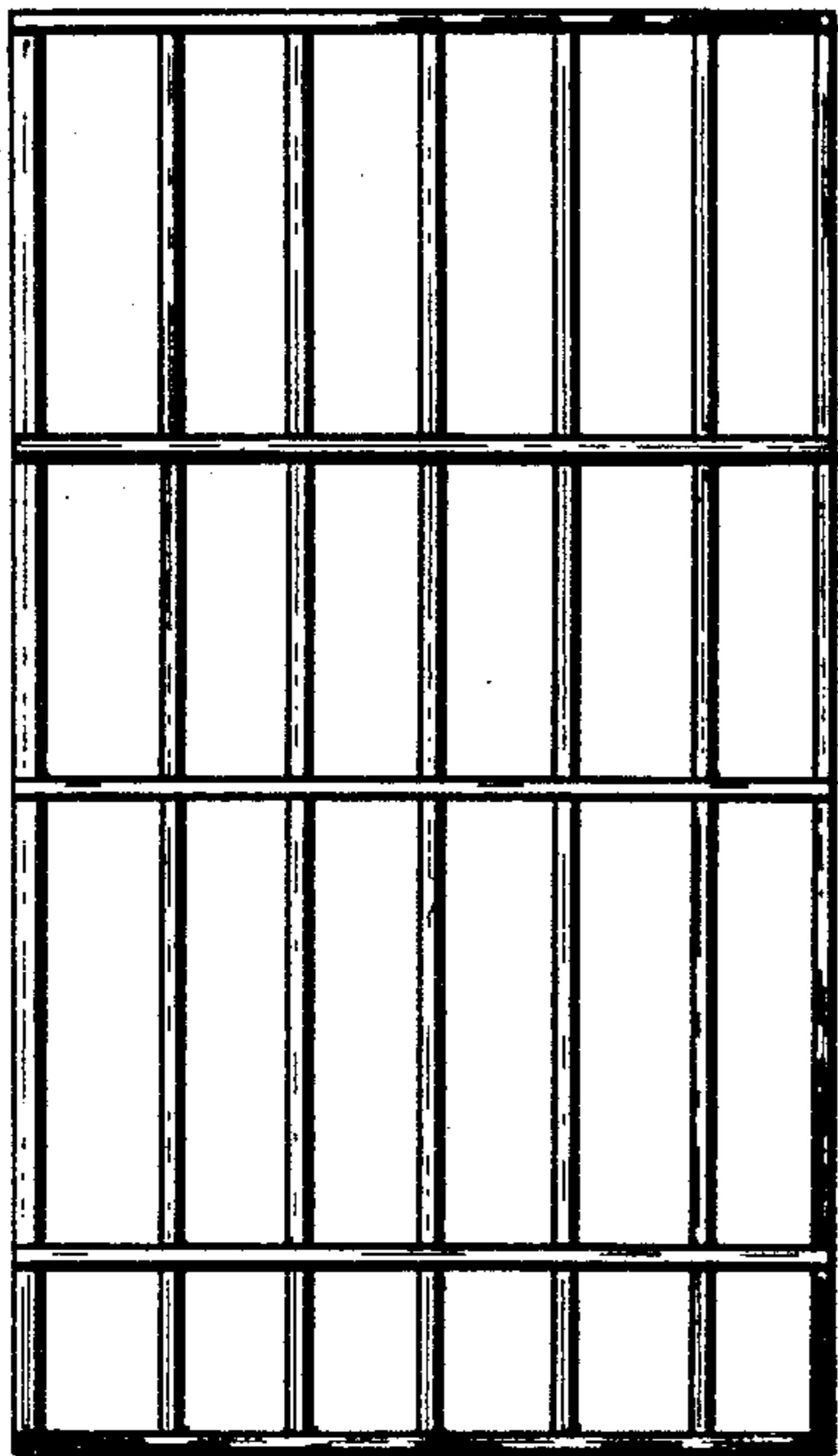


FIG 3

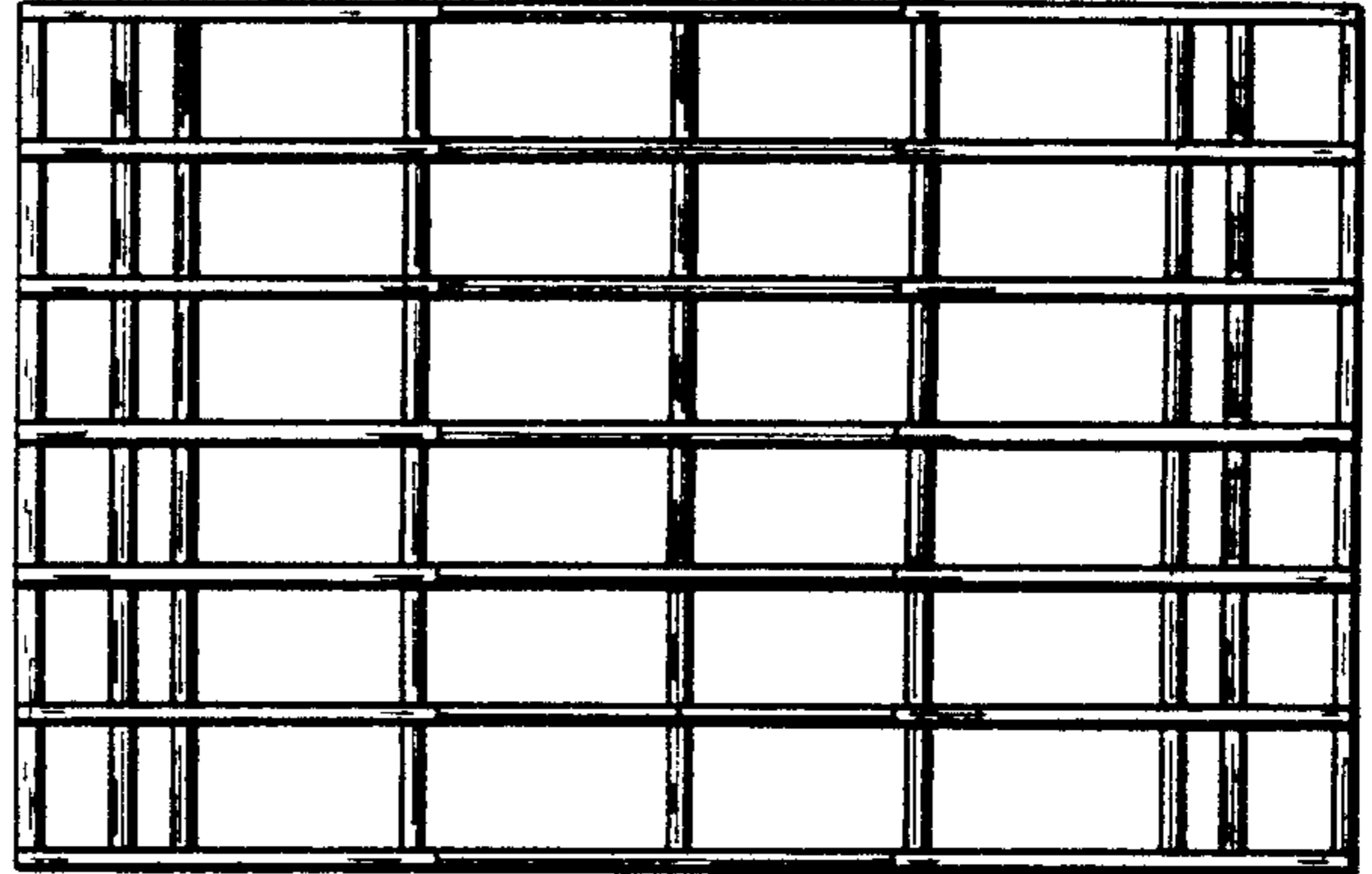


FIG 4

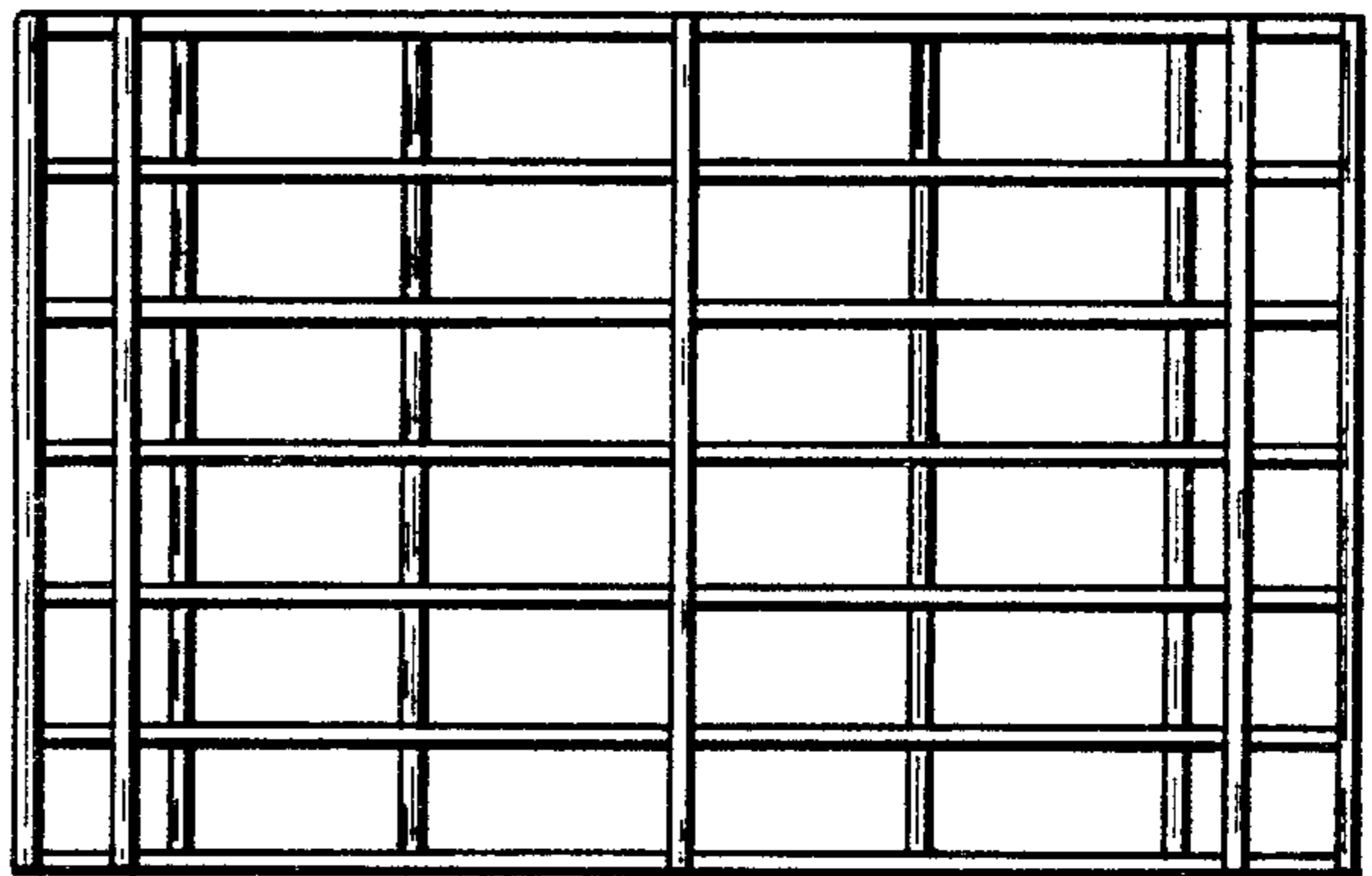


FIG 5