

[54] SINGLE LENS REFLEX CAMERA

[75] Inventor: Takaharu Kato, Tokyo, Japan

[73] Assignee: Ricoh Company, Ltd., Japan

[**] Term: 14 Years

[21] Appl. No.: 564,760

[22] Filed: Dec. 23, 1983

[30] Foreign Application Priority Data

Jun. 24, 1983 [JP] Japan 58-027346

[52] U.S. Cl. D16/8; D16/1

[58] Field of Search D16/1-10,
D16/8; 354/124-126, 152-158, 202, 208, 288,
23 R, 60 R, 170-173, 173.11

[56] References Cited

U.S. PATENT DOCUMENTS

- D. 263,310 3/1982 Kato D16/8
- D. 270,450 9/1983 Kato D16/8
- D. 272,829 2/1984 Kato D16/8

- 4,118,726 10/1978 Kuramoto 354/286 X
- 4,367,937 1/1983 Mashimo 354/173.11
- 4,406,533 9/1983 Yamamoto 354/288 X

FOREIGN PATENT DOCUMENTS

0208735 12/1983 Japan 354/288

Primary Examiner—Nelson C. Holjte
Attorney, Agent, or Firm—Guy W. Shoup

[57] CLAIM

The ornamental design for single lens reflex camera, as shown.

DESCRIPTION

FIG. 1 is a front elevational view of a single lens reflex camera showing my new design;
 FIG. 2 is a top plan view thereof;
 FIG. 3 is a right side elevational view thereof;
 FIG. 4 is a left side elevational view thereof;
 FIG. 5 is a rear elevational view thereof;
 FIG. 6 is a bottom plan view thereof;
 FIG. 7 is a top and left front perspective view thereof.

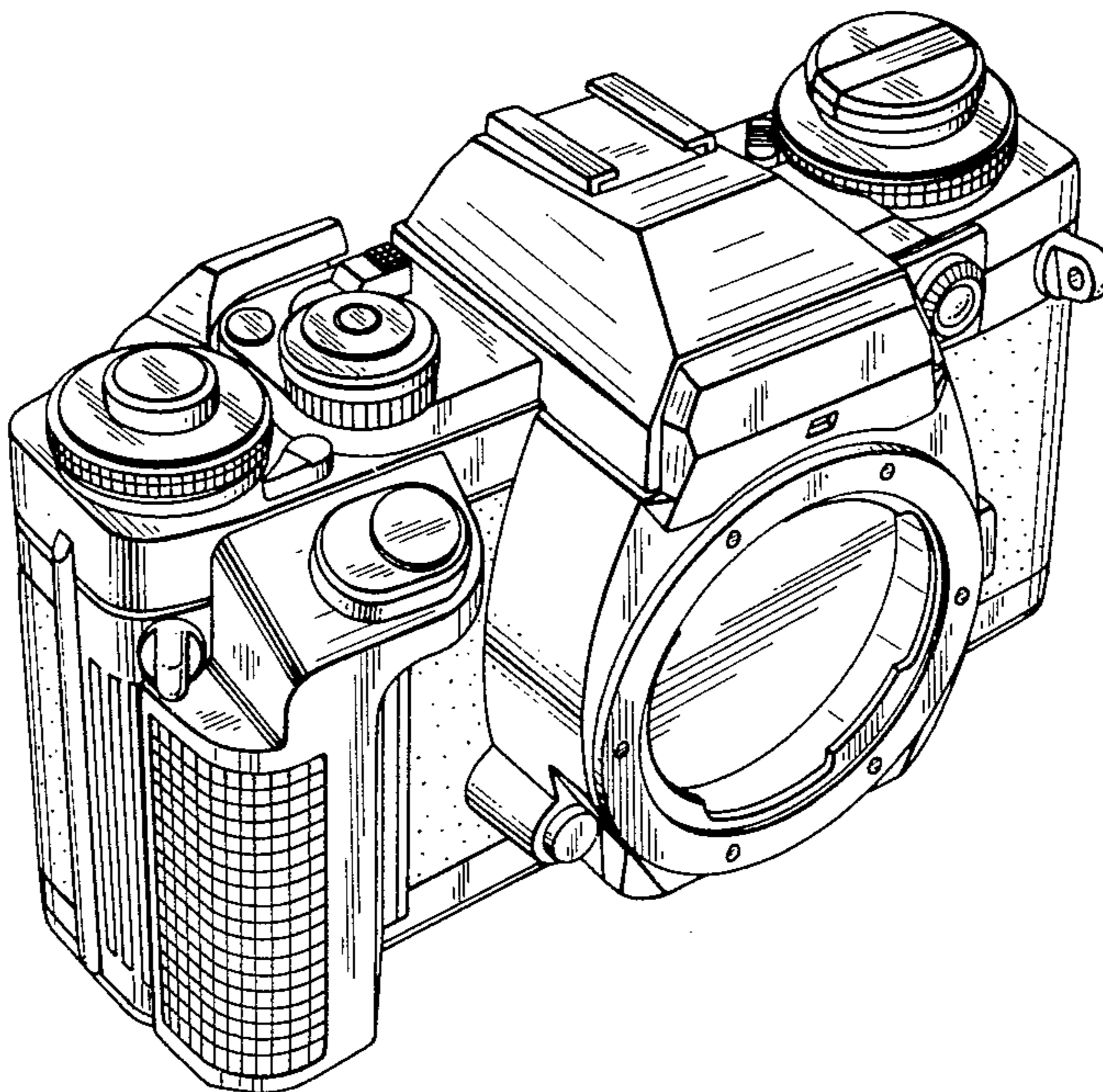


FIG. 1

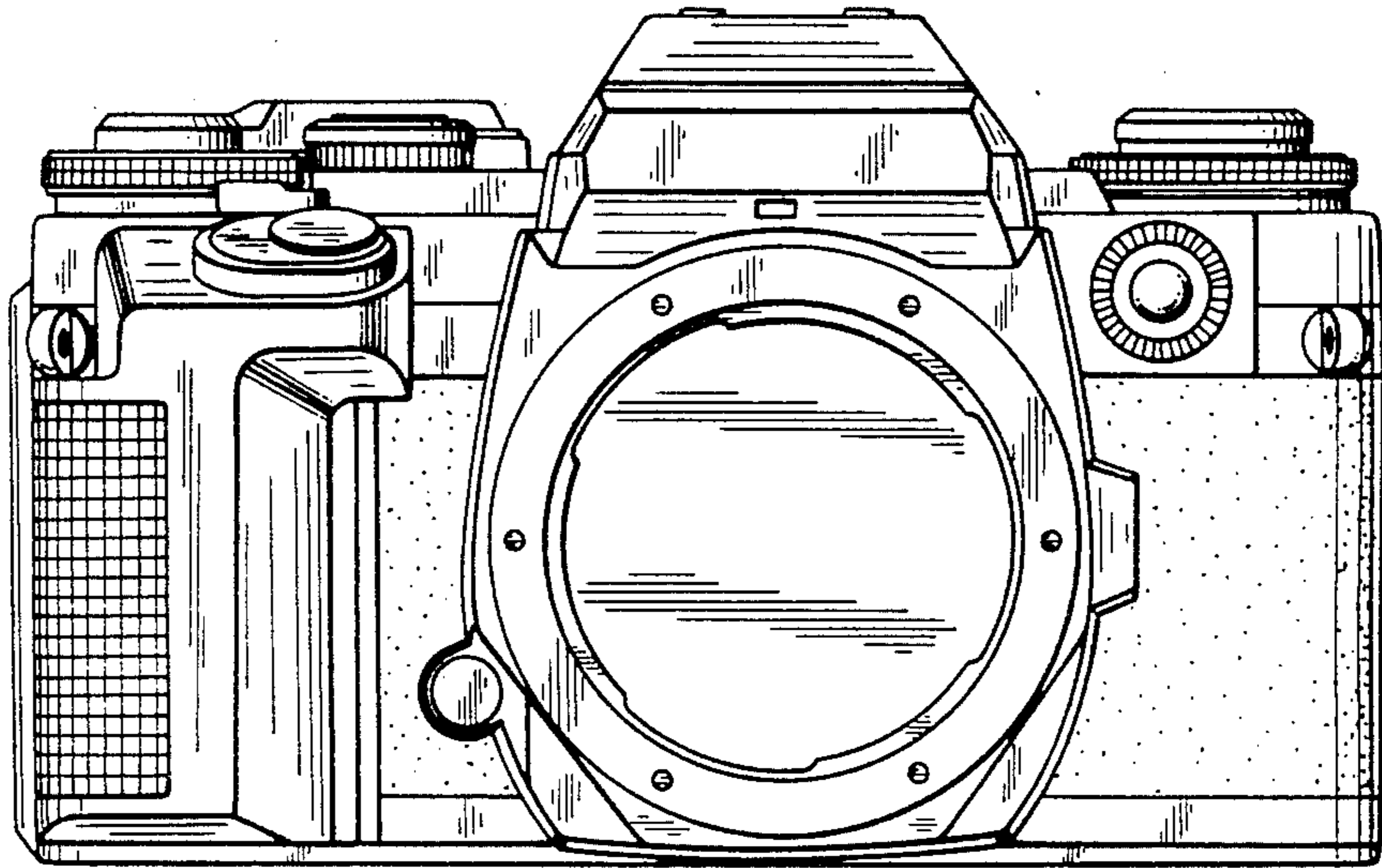


FIG. 2

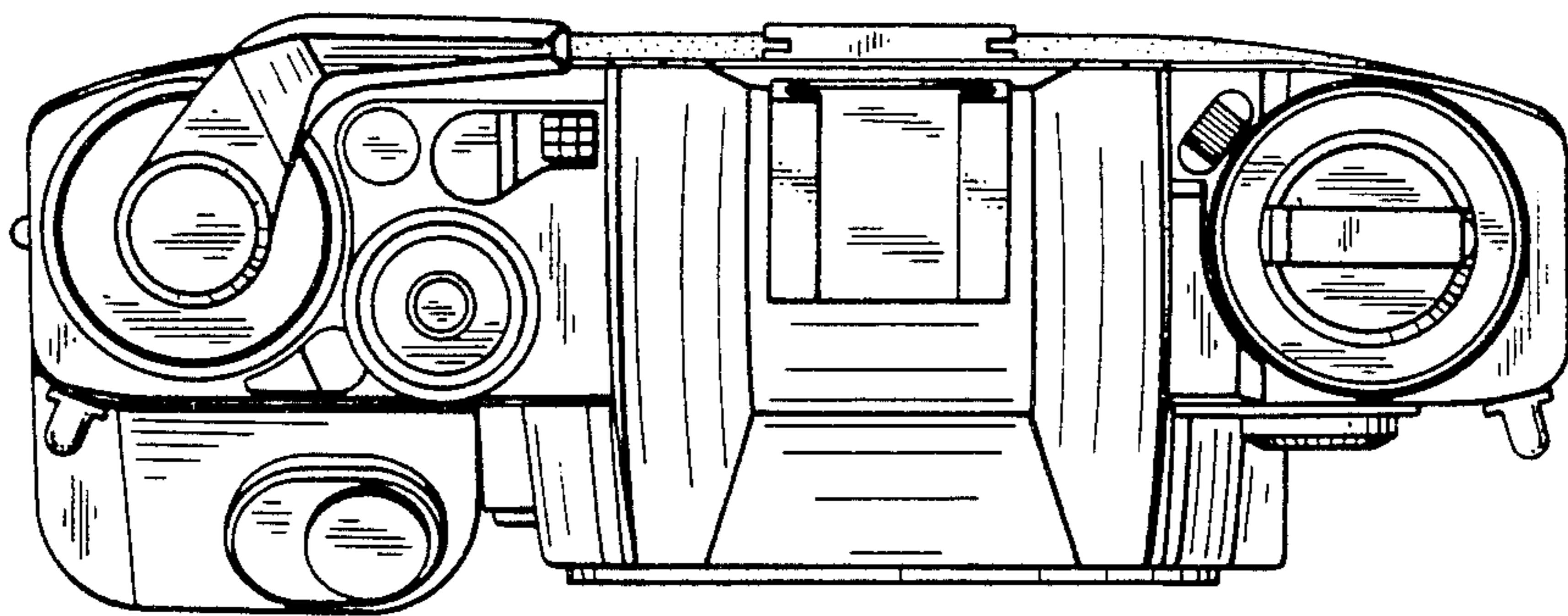


FIG. 3

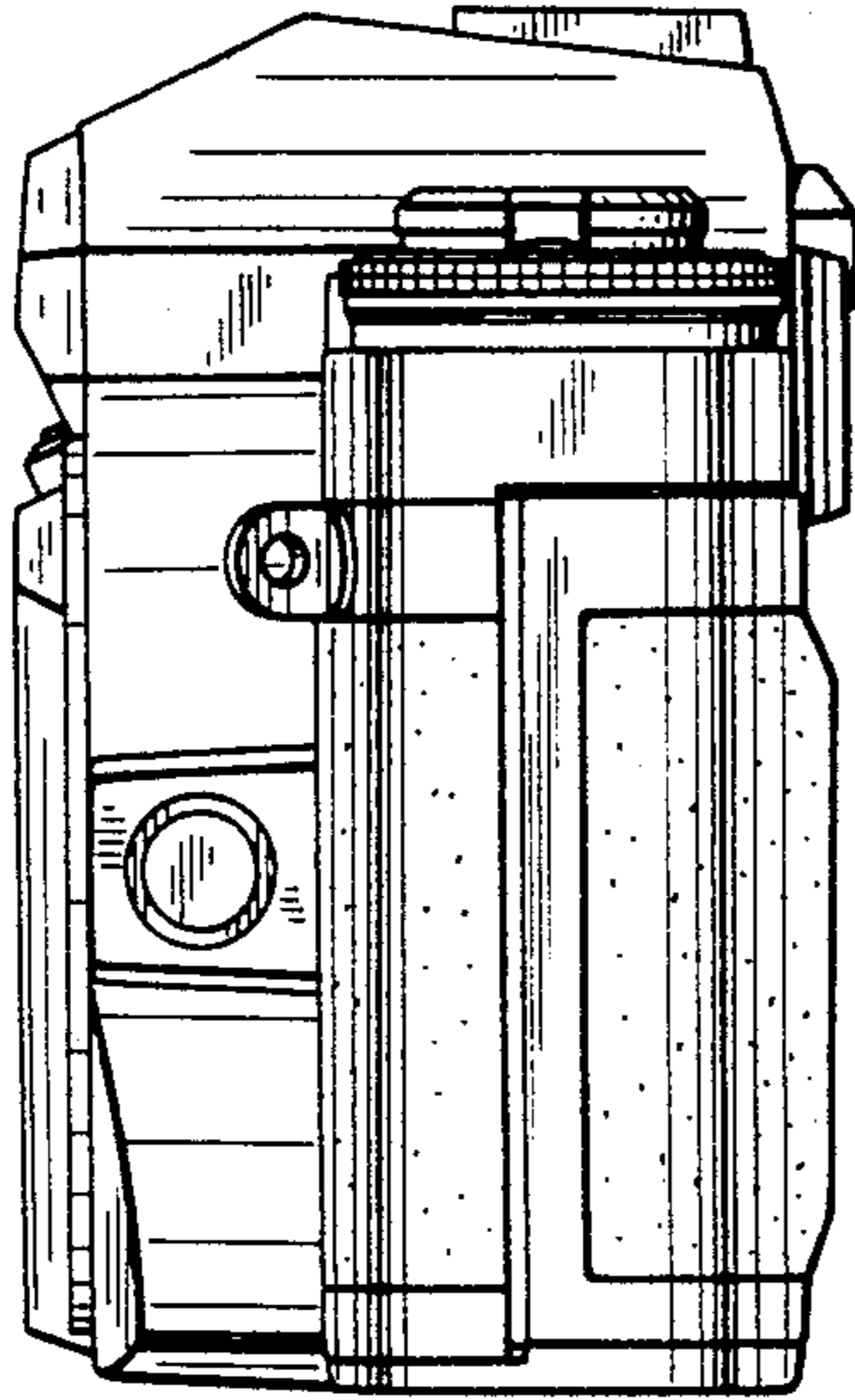


FIG. 4

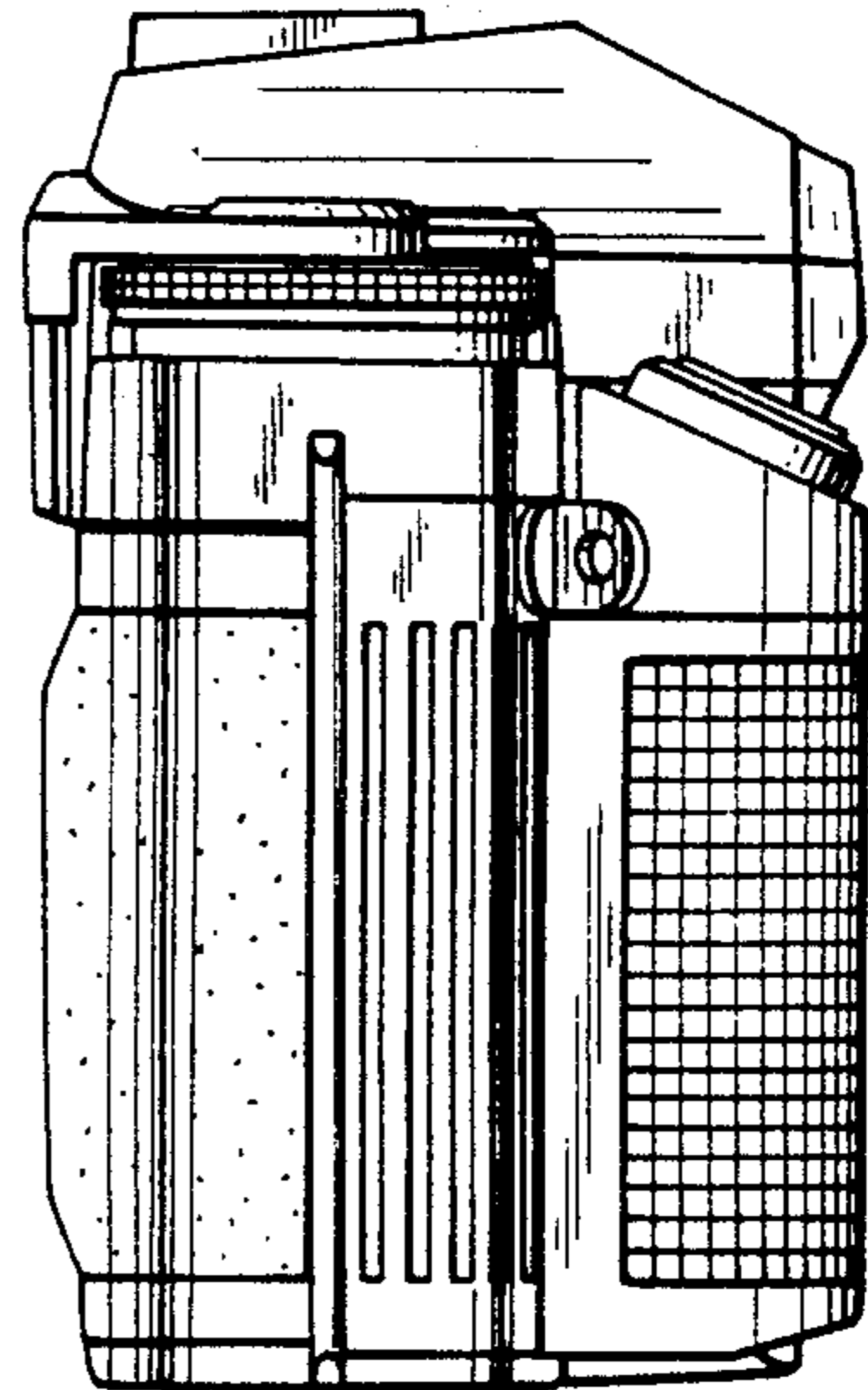


FIG. 5

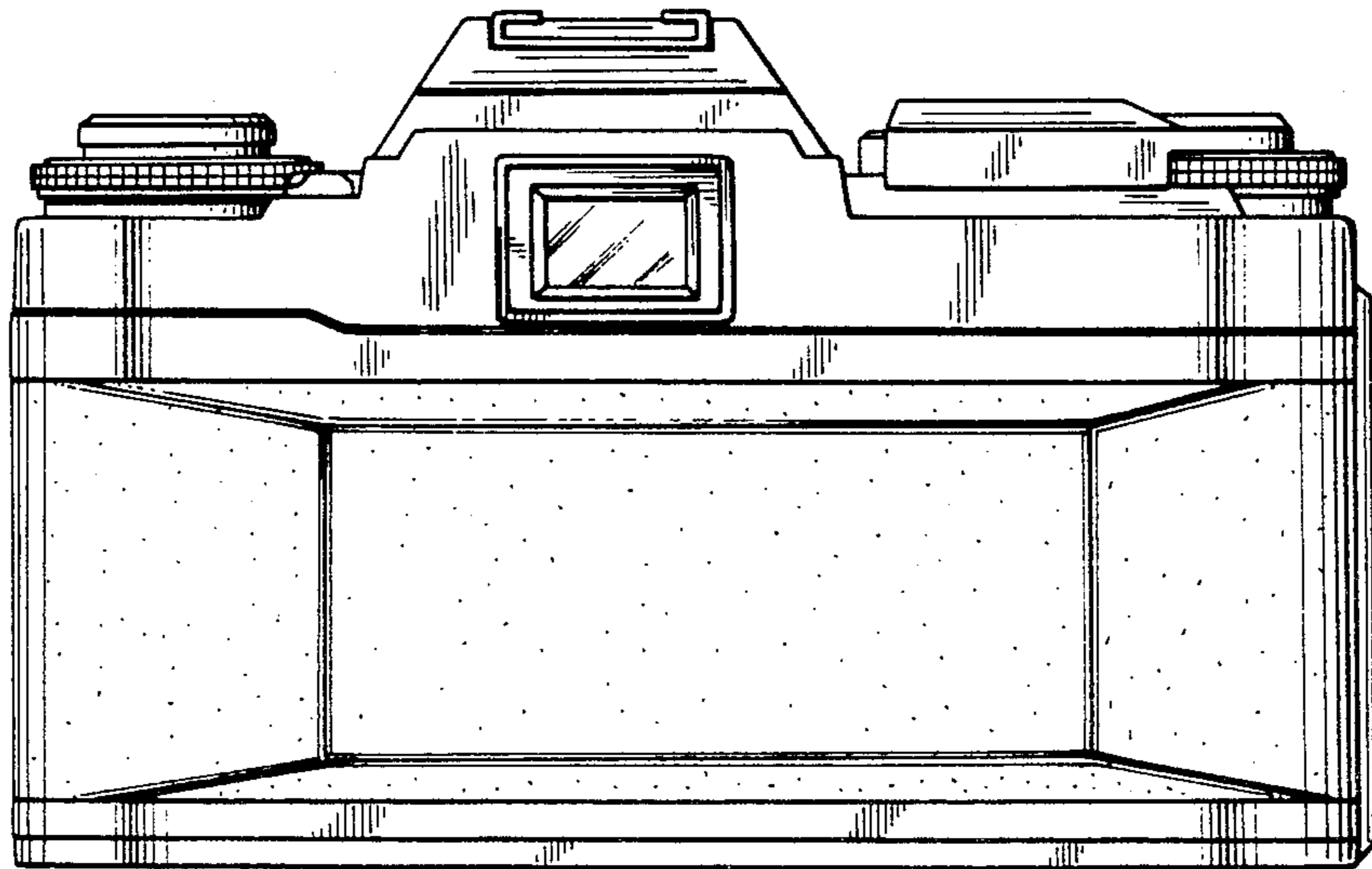


FIG. 6

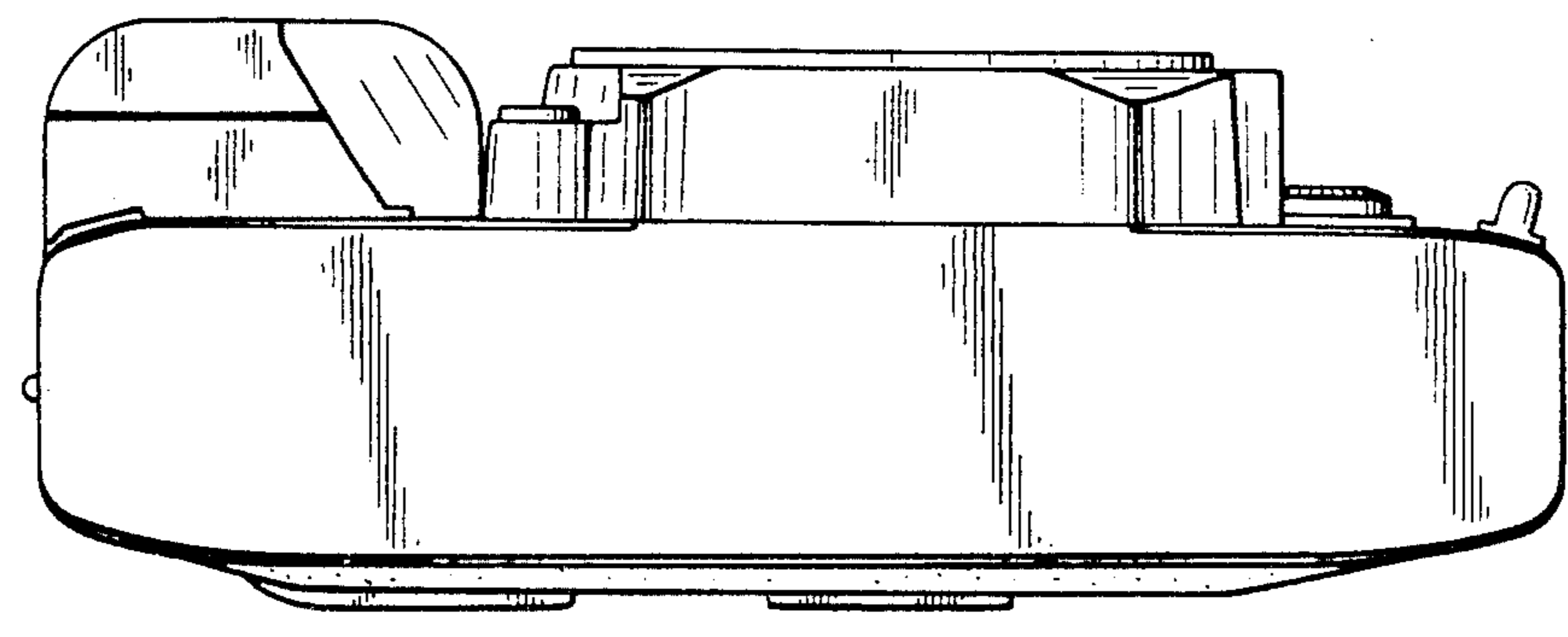


FIG. 7

