

[54] PLANING MACHINE

[75] Inventors: Peter P. Pioch, Idstein; Ulrich Reiferscheid, Bad Camberg, both of Fed. Rep. of Germany

[73] Assignee: Black & Decker Inc., Newark, Del.

[**] Term: 14 Years

[21] Appl. No.: 636,971

[22] Filed: Aug. 2, 1984

[30] Foreign Application Priority Data

Feb. 7, 1984 [DE] Fed. Rep. of Germany URA 124/84

[52] U.S. Cl. D15/127

[58] Field of Search D15/127; 144/114 R, 144/117 R, 118, 119 R, 120

[56] References Cited

U.S. PATENT DOCUMENTS

D. 266,766 11/1982 Lawson D15/127
D. 267,406 12/1982 Glore D15/127

D. 276,616 12/1984 Legler et al. D15/127
2,908,301 10/1959 Baumbach et al. 144/117 R
3,291,170 12/1966 Nishimura 144/117 R
3,545,140 12/1970 Jones 144/117 R

Primary Examiner—B. J. Bullock
Attorney, Agent, or Firm—Ronald B. Sherer; Edward D. Murphy; Harold Weinstein

[57] CLAIM

The ornamental design for a planing machine, as shown in the drawings.

DESCRIPTION

FIG. 1 is a top, front and left perspective view of a planing machine showing our new design;
FIG. 2 is a top and front perspective view thereof;
FIG. 3 is a top and front perspective view taken further to the right than FIG. 1;
FIG. 4 is a top and rear perspective view thereof;
FIG. 5 is a top plan view thereof;
FIG. 6 is a bottom plan view thereof;
FIG. 7 is a left end elevational view thereof;
FIG. 8 is a right end elevational view thereof.

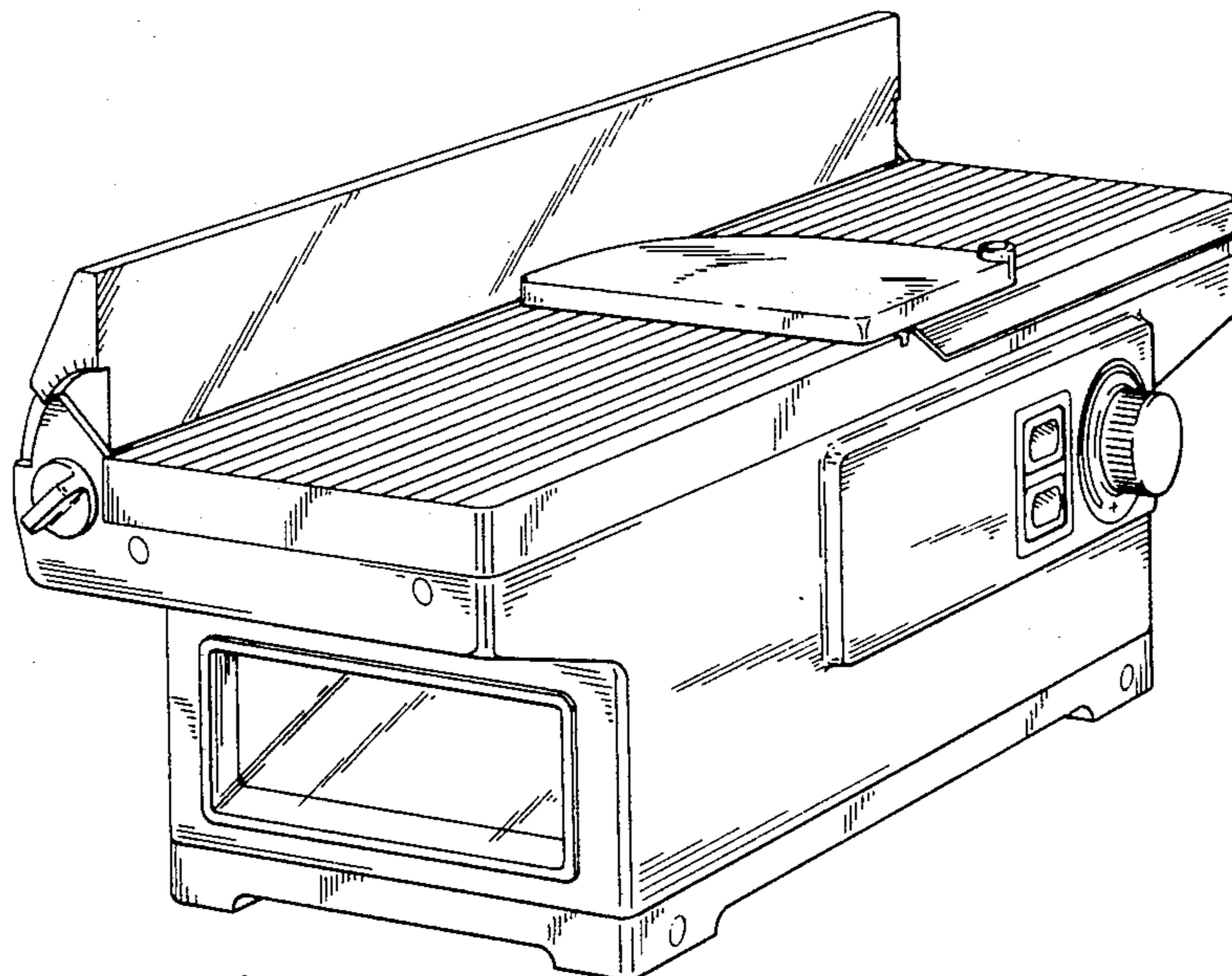


Fig. 1

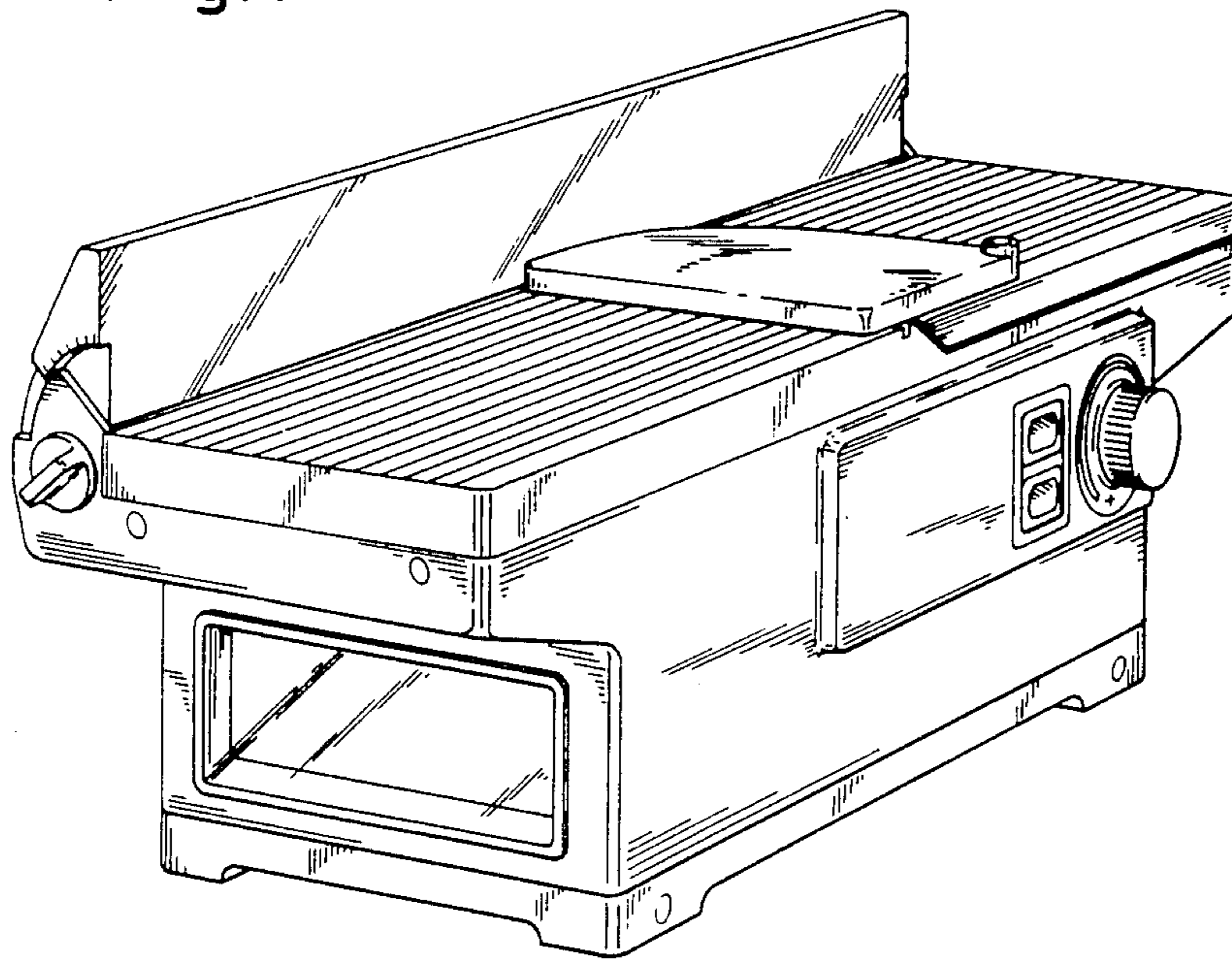


Fig. 2

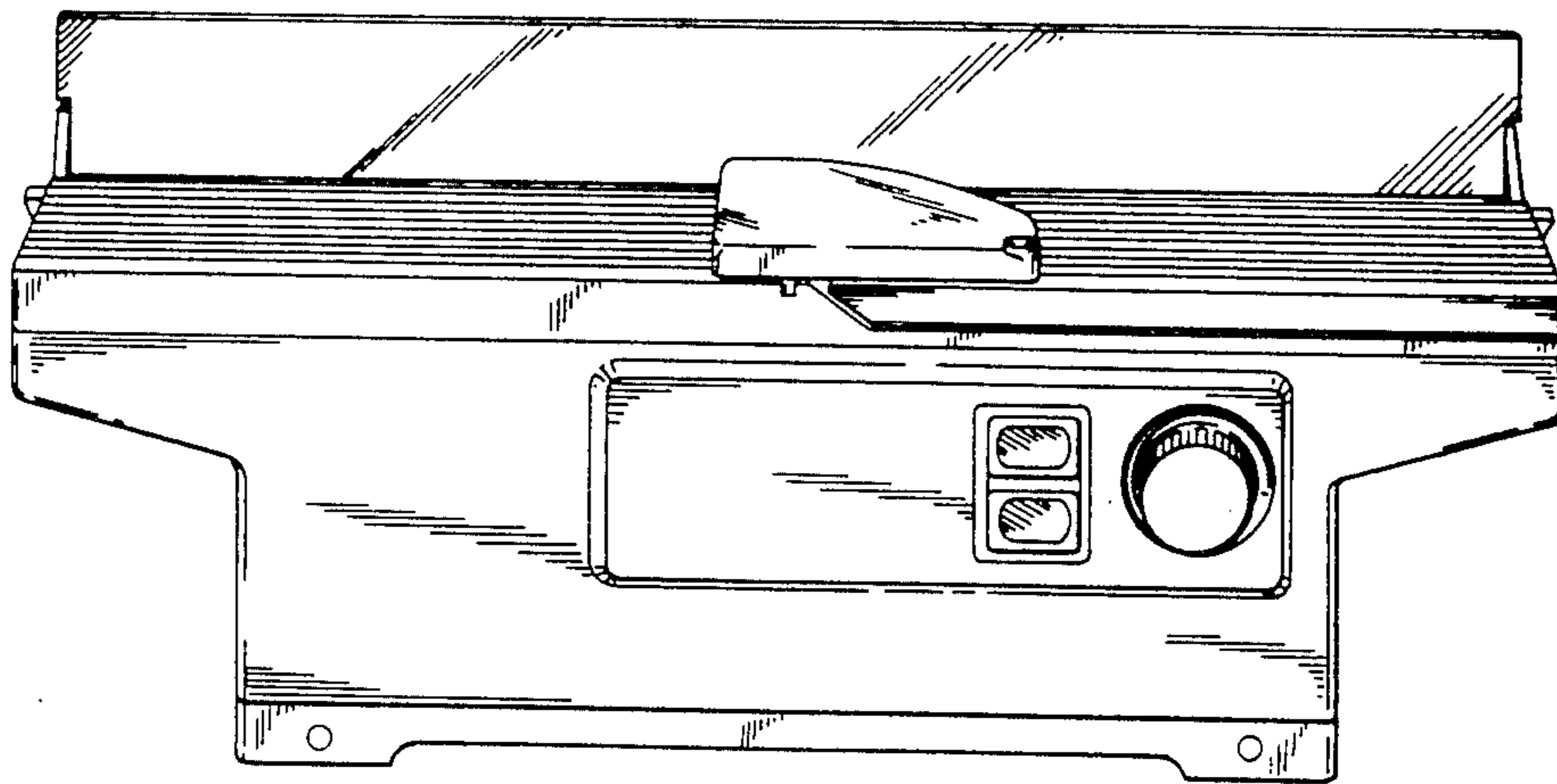


Fig. 3

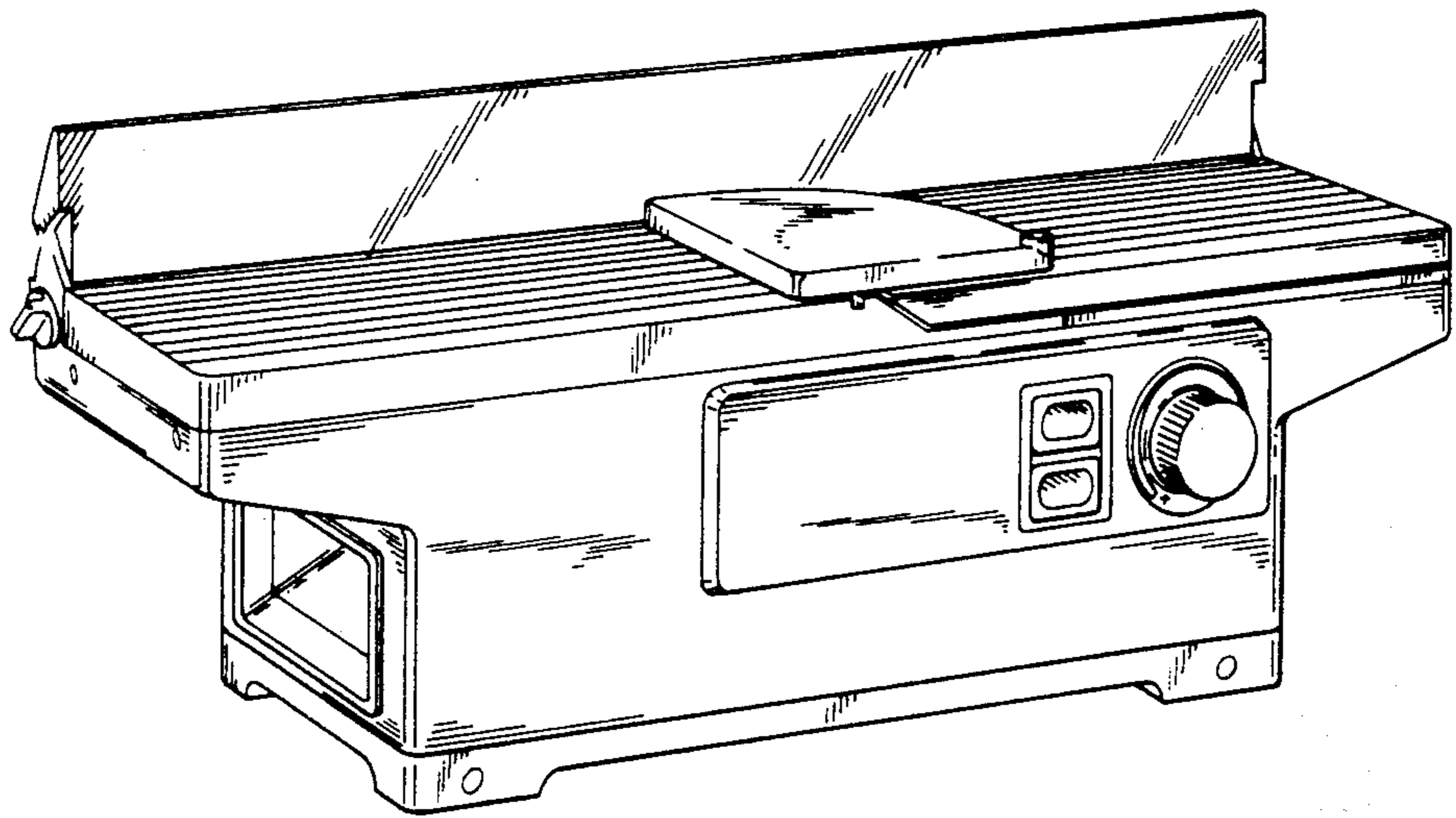


Fig. 4

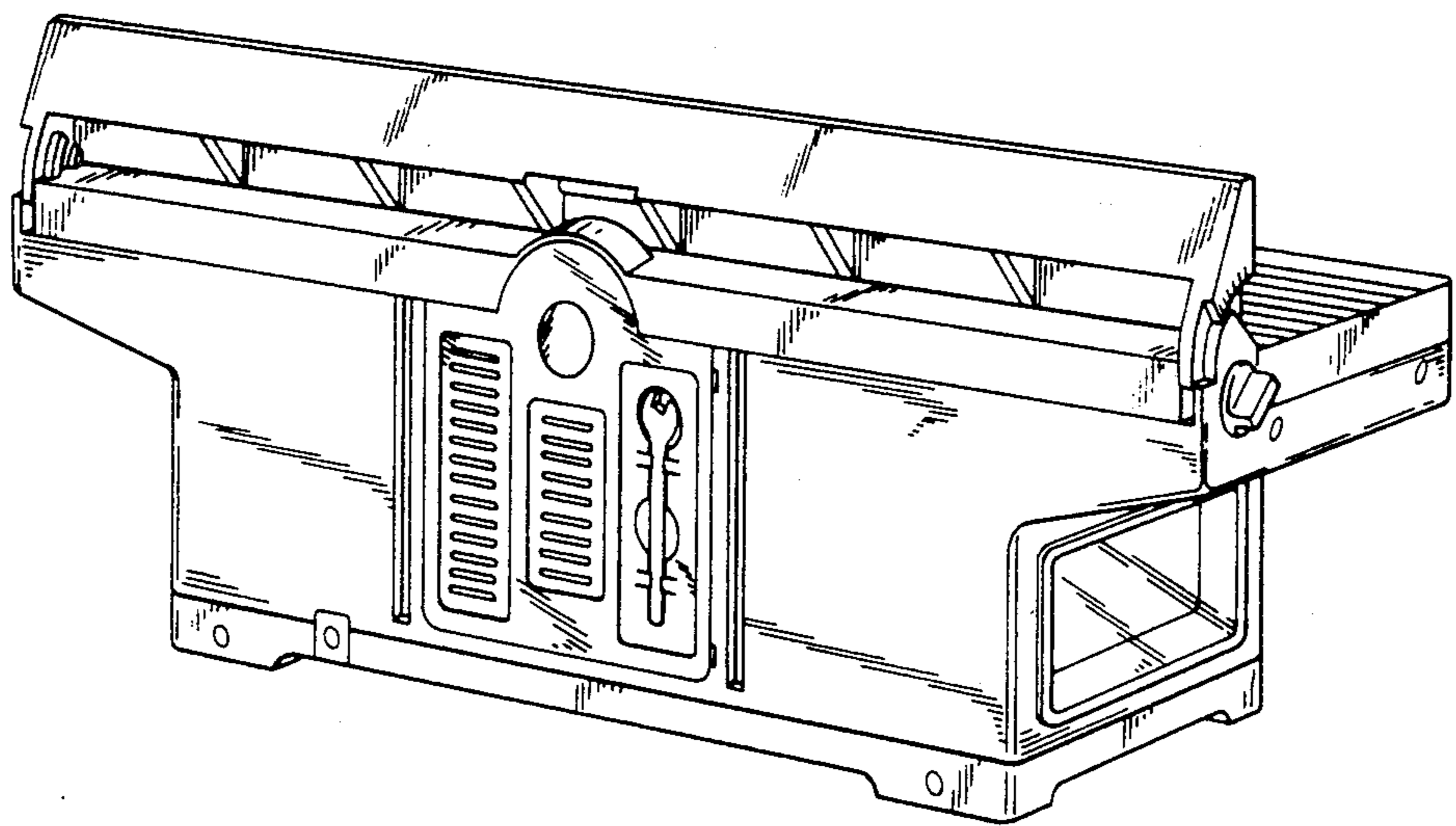


Fig. 5

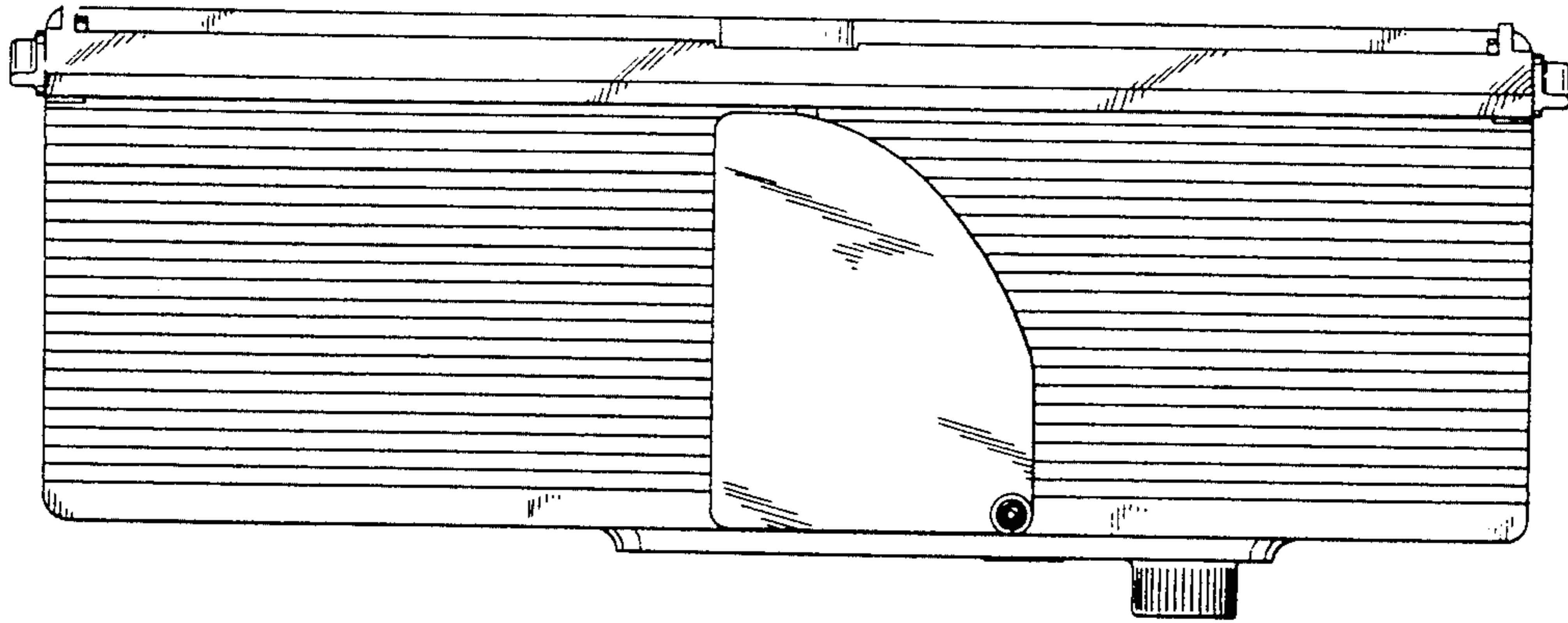


Fig. 6

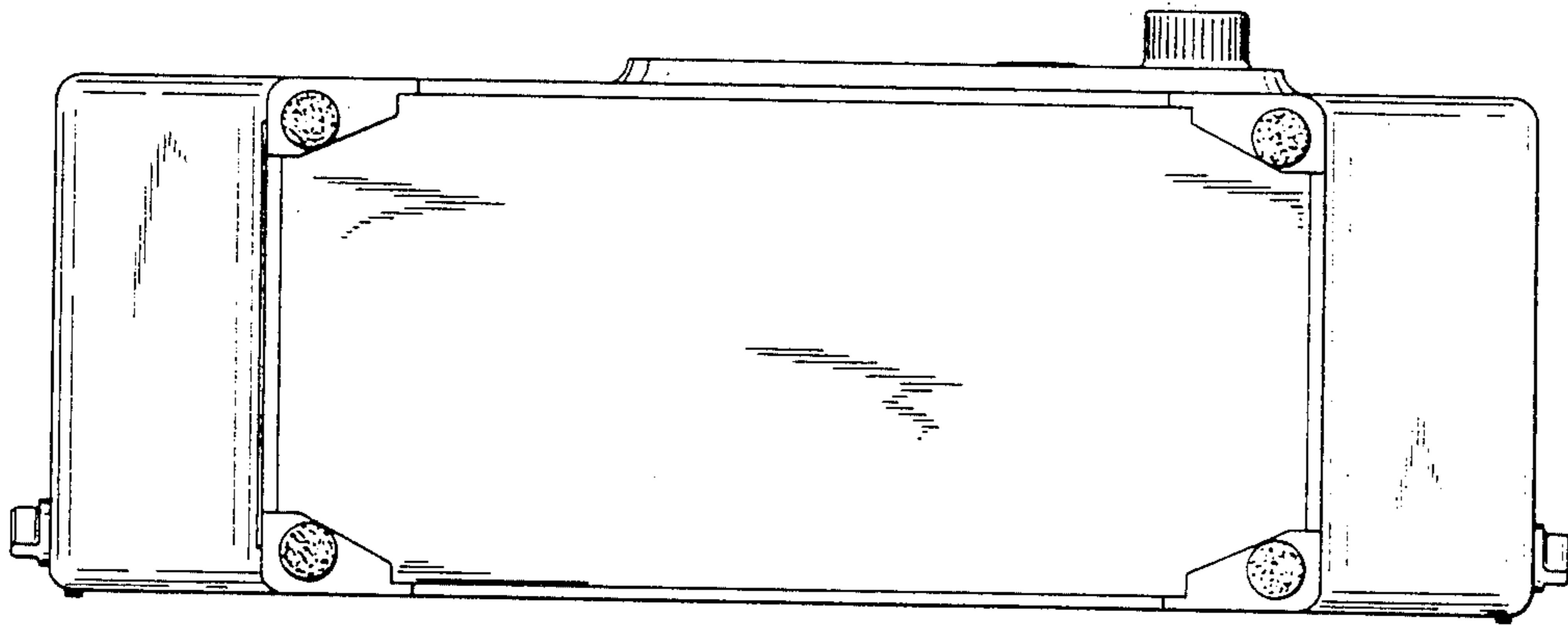


Fig. 7

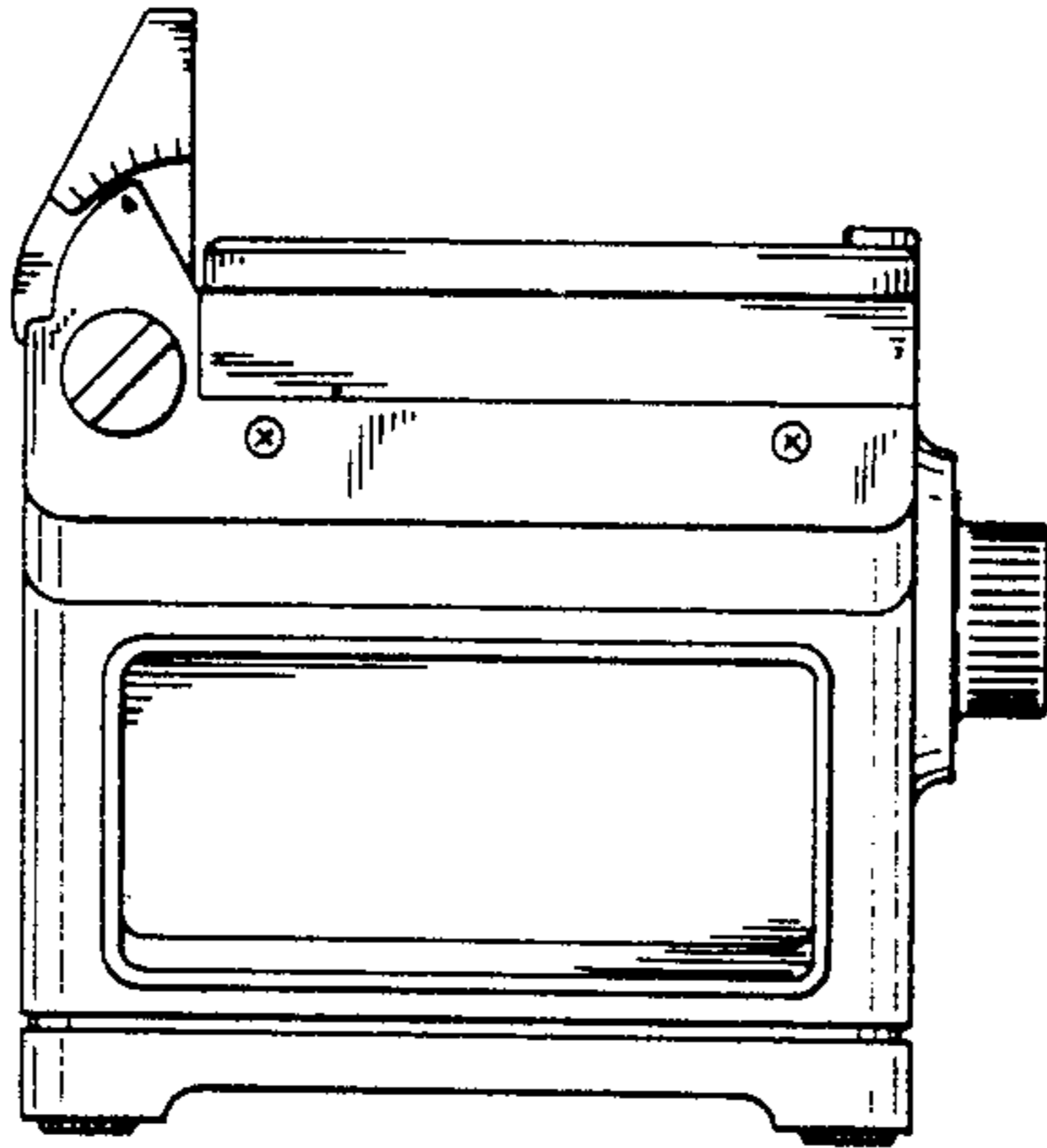


Fig. 8

