

- [54] **HOUSING FOR MOVABLE CURSOR CONTROL FOR A VIDEO DISPLAY**
- [75] Inventors: **Jerrold C. Manock**, Palo Alto; **Terrell A. Oyama**, Los Altos; **James R. Yurchenco**, Palo Alto, all of Calif.
- [73] Assignee: **Apple Computer, Inc.**, Cupertino, Calif.
- [\*\*] Term: **14 Years**
- [21] Appl. No.: **541,713**
- [22] Filed: **Oct. 13, 1983**
- [52] U.S. Cl. .... **D14/114; D13/38**
- [58] Field of Search ..... **D14/100-117; 340/365 R, 706, 709, 710, 711; D13/32, 38; 273/148 B; 33/1 M; 178/18, 19**

4,464,652 8/1984 Lapson et al. .... 340/709 X

**OTHER PUBLICATIONS**

Evans Gift Catalog, 1978, p. 246-X, Coleco Telstar Regent TM Game, Remote Control.

*Primary Examiner*—Susan J. Lucas  
*Attorney, Agent, or Firm*—Blakely, Sokoloff, Taylor & Zafman

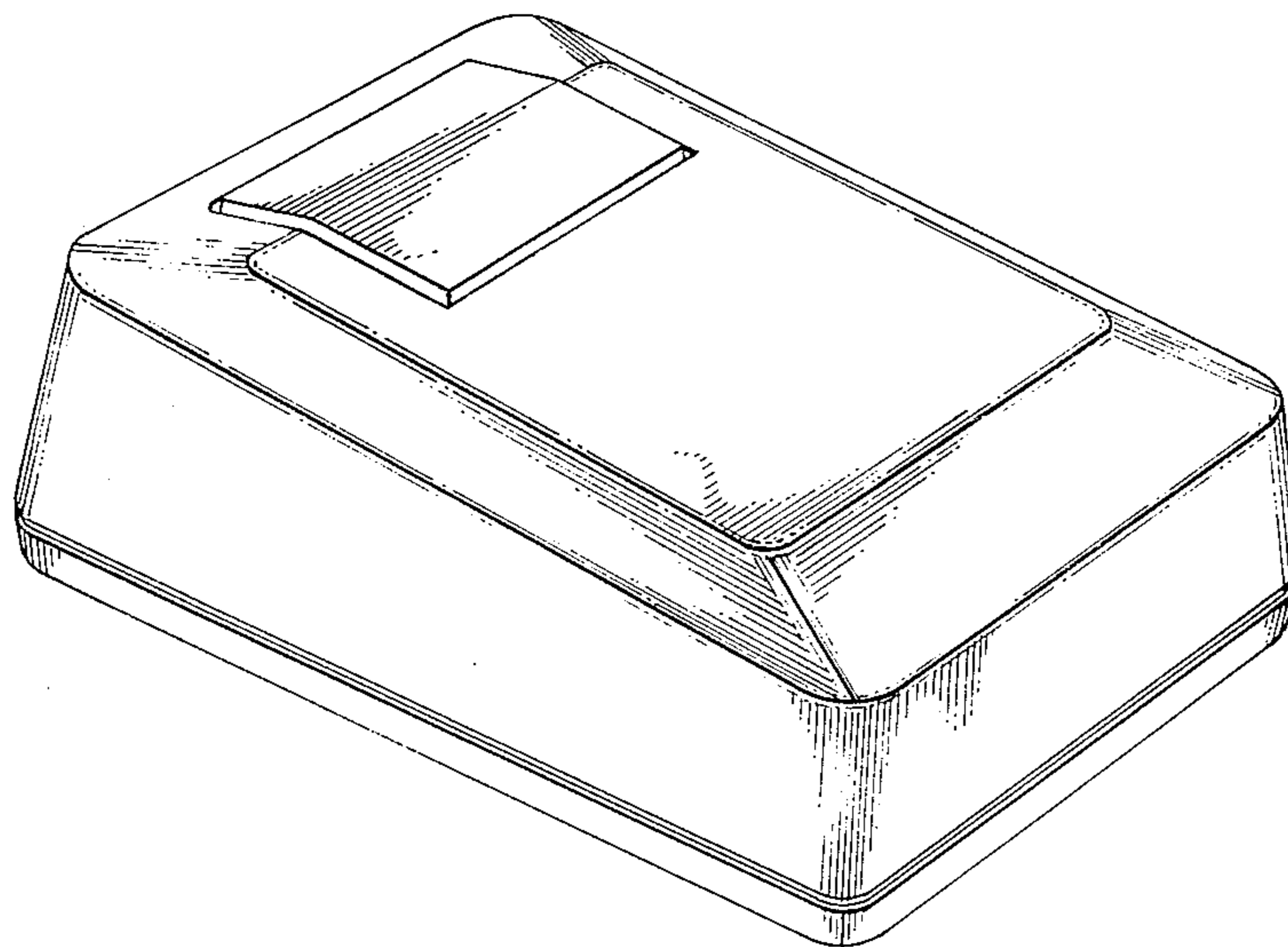
[57] **CLAIM**

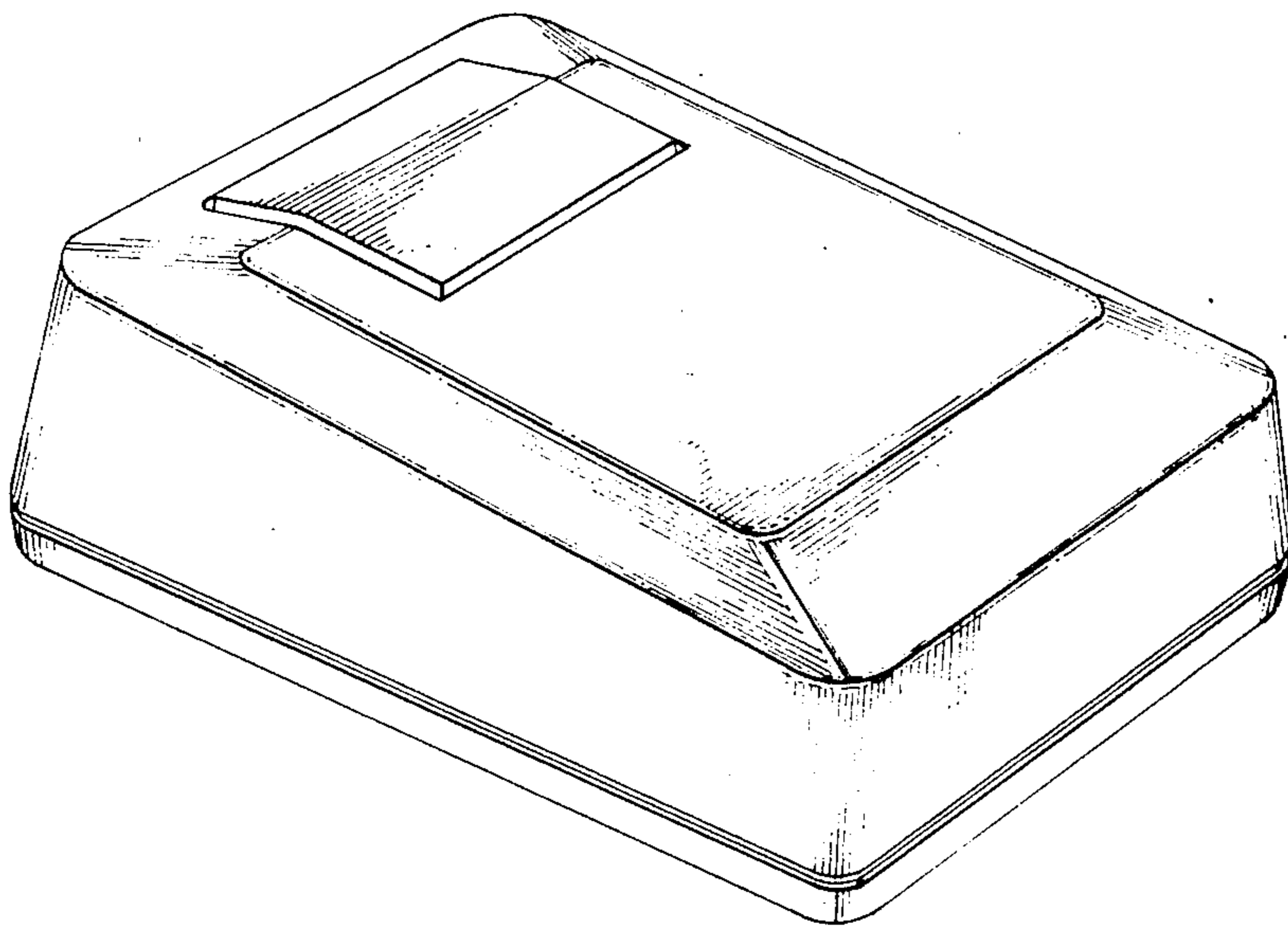
The ornamental design for a housing for movable cursor control for a video display, substantially as shown.

**DESCRIPTION**

FIG. 1 is a perspective view of a housing for a video display showing our new design;  
FIG. 2 is a top plan view thereof;  
FIG. 3 is a right side elevational view thereof;  
FIG. 4 is a front elevational view thereof;  
FIG. 5 is a rear elevational view thereof;  
FIG. 6 is a bottom plan view thereof.

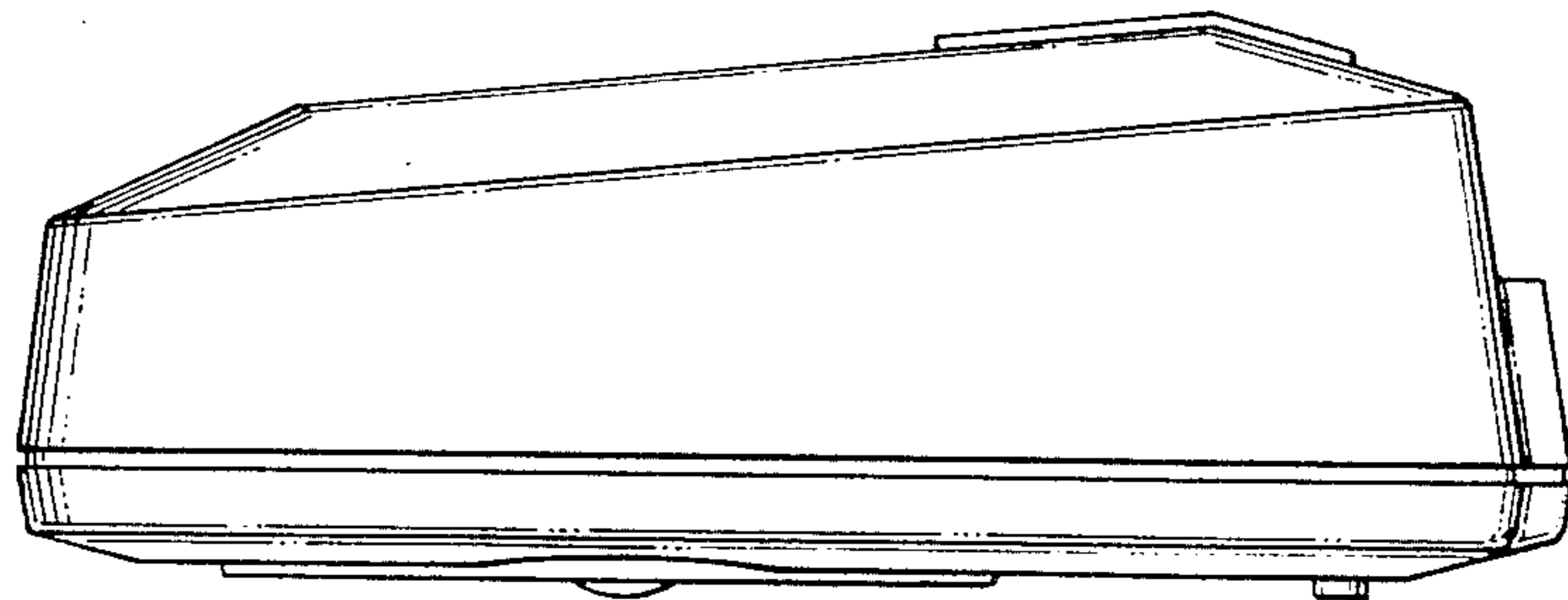
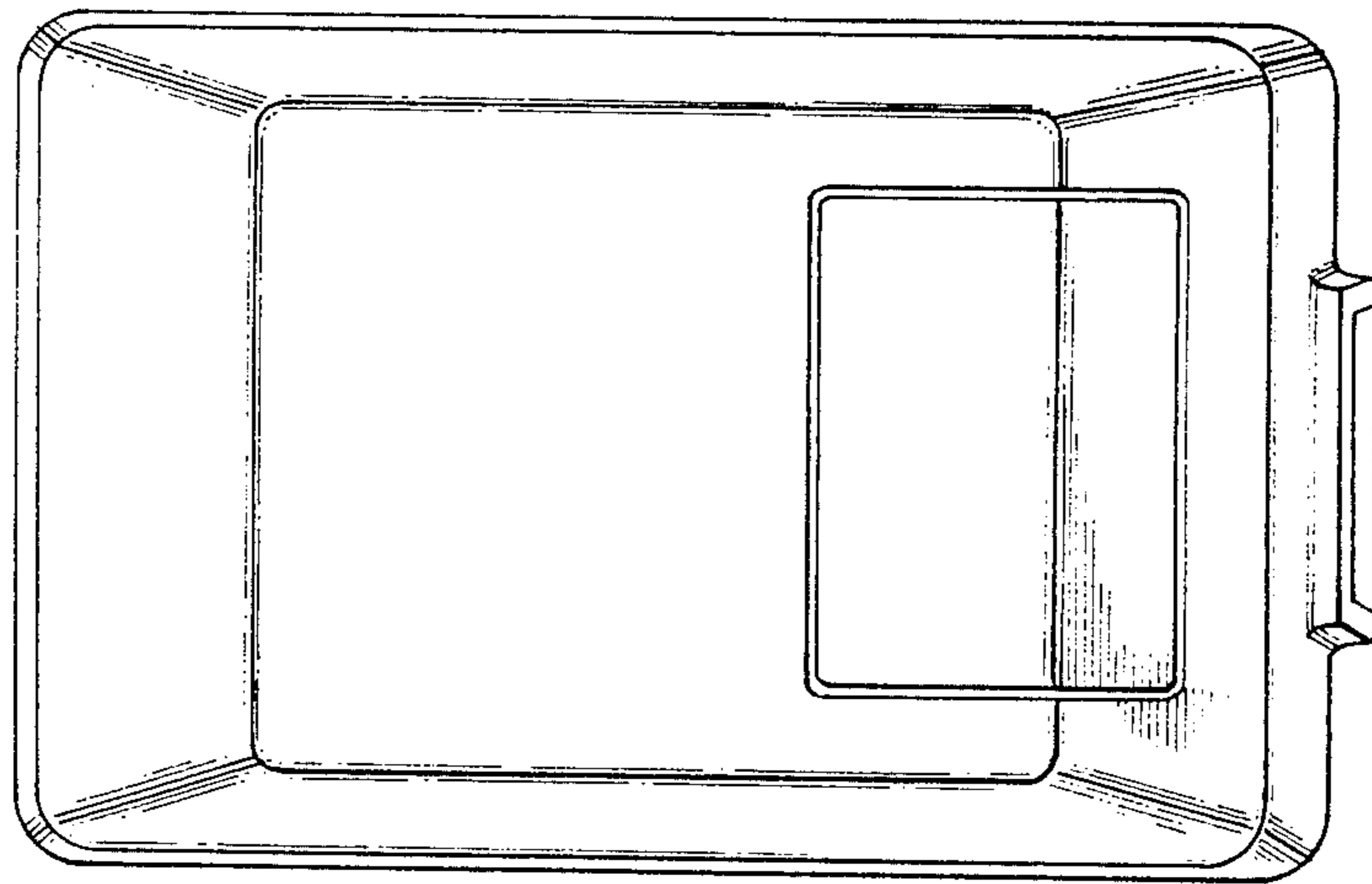
- [56] **References Cited**
- U.S. PATENT DOCUMENTS**
- 4,064,560 12/1977 Baxter ..... 340/365 R X



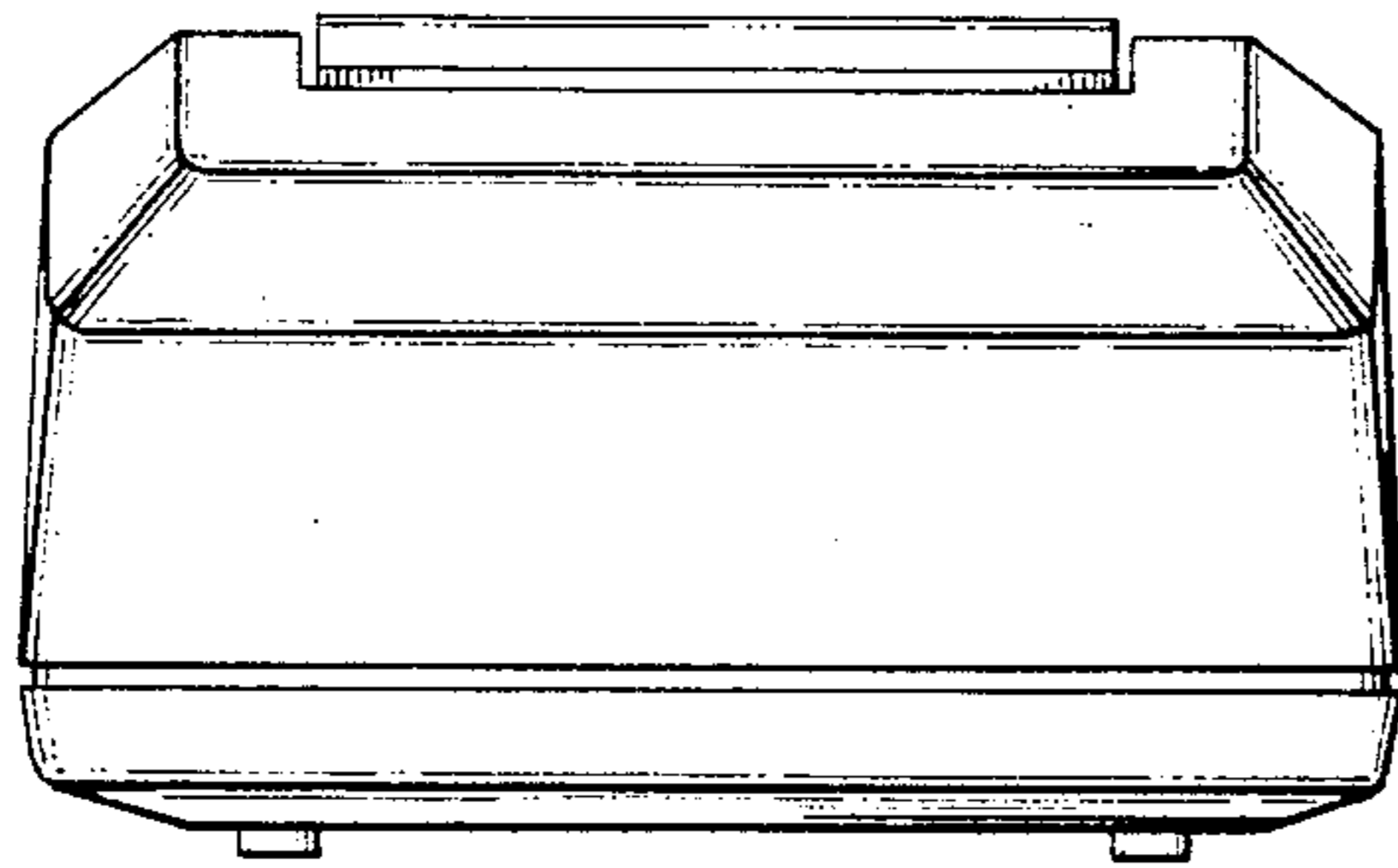


*Fig. 1*

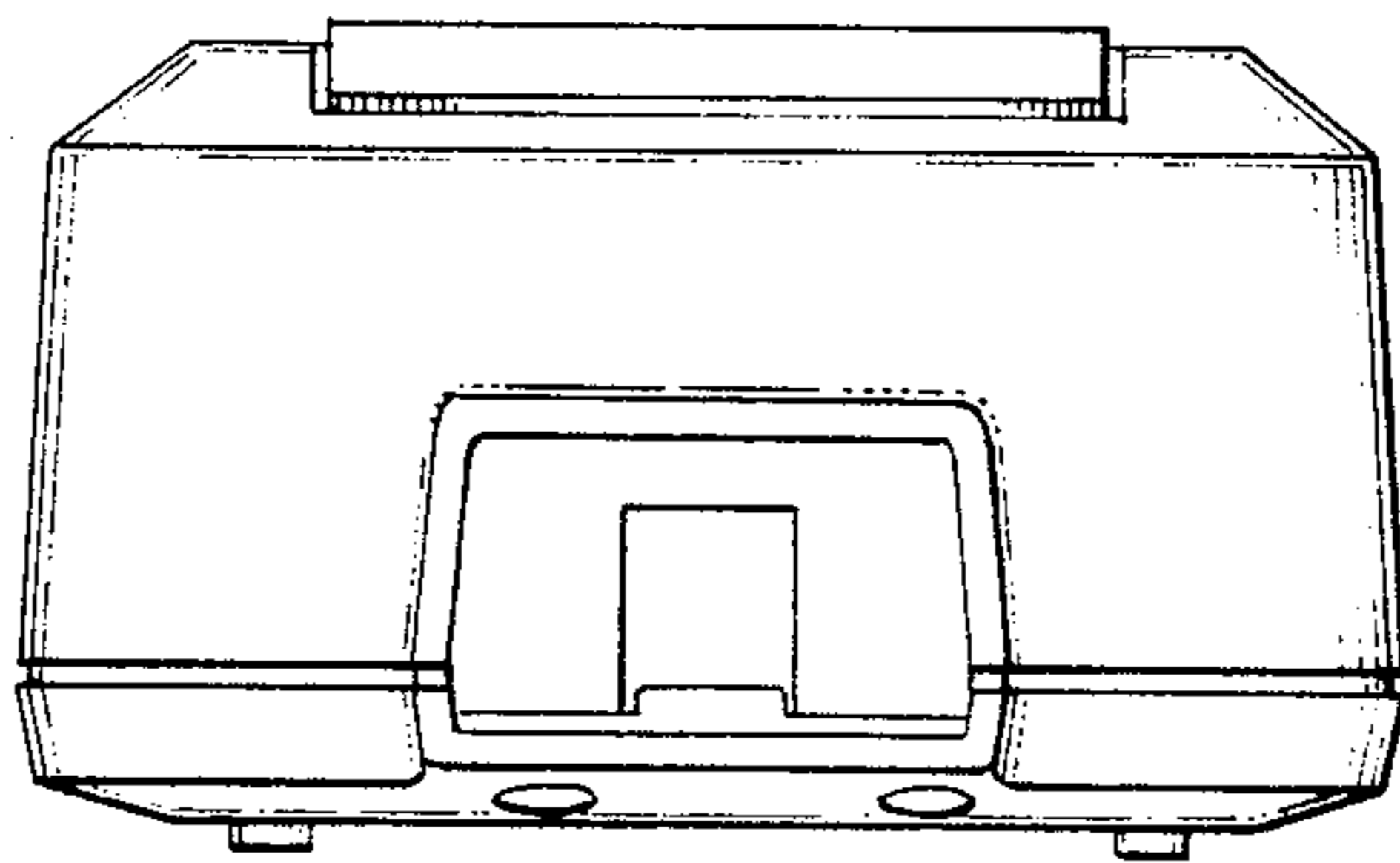
*Fig. 2*



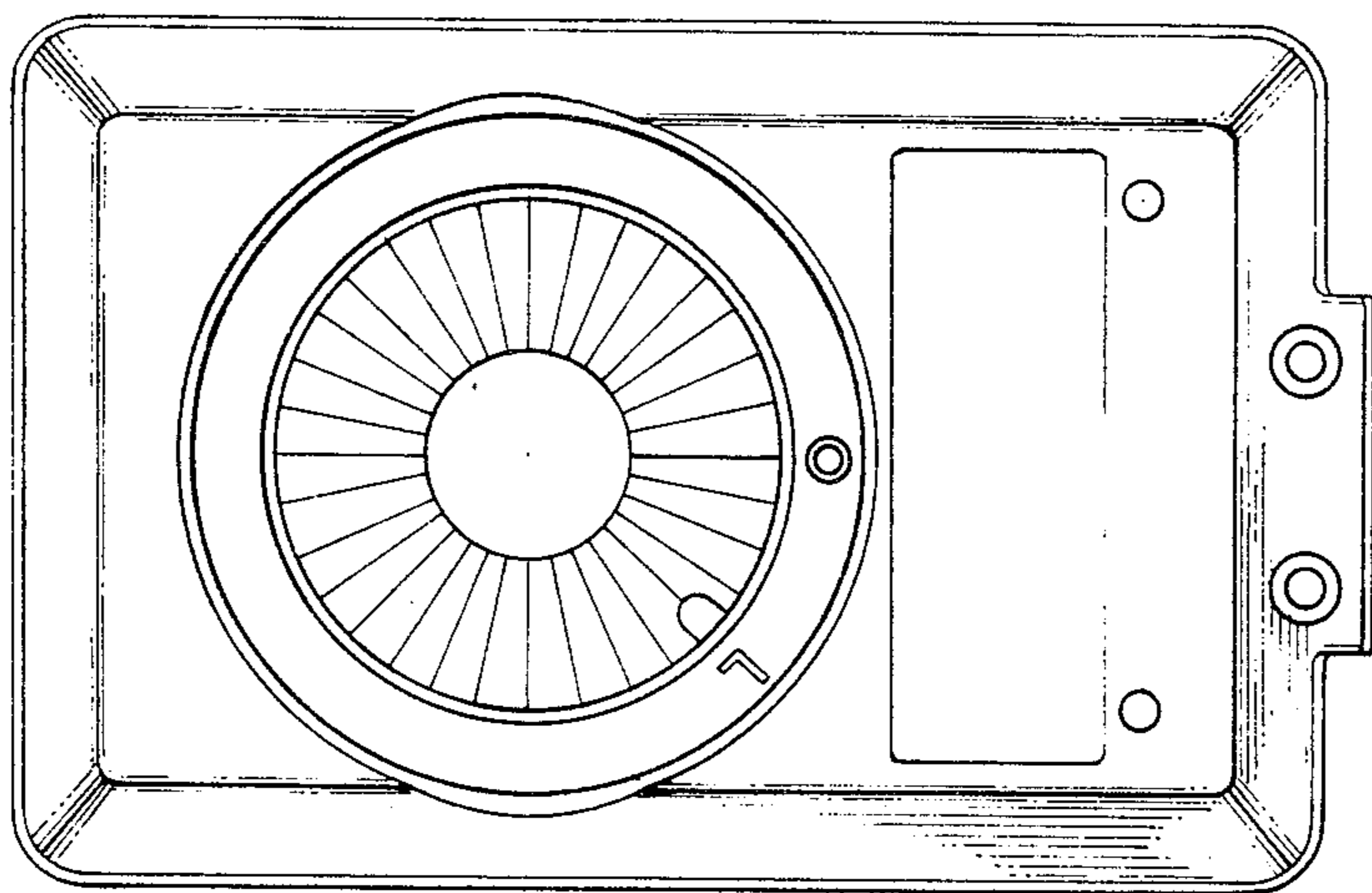
*Fig. 3*



*Fig. 4*



*Fig. 5*



*Fig. 6*