

[54] STAND FOR SUPPORTING A TELEPHONE AND DIRECTORY

[76] Inventor: Abraham Robinson, HHC 3rd Engineering Battallion, Fort Stewart, Ga. 31314

[**] Term: 14 Years

[21] Appl. No.: 551,180

[22] Filed: Nov. 14, 1983

[52] U.S. Cl. D14/60; D14/65; 179/147

[58] Field of Search D14/52, 59, 60, 65; 248/176, 163.1; 179/179, 146 R, 147, 149, 150, 100 R, 101; D6/419, 462

[56] References Cited

U.S. PATENT DOCUMENTS

D. 62,772	7/1923	Cook et al.	D6/453
D. 177,621	5/1956	Gallagher	D6/462
D. 186,895	12/1959	Wenger	D6/419
D. 209,489	12/1967	Cullen	D6/419
D. 259,879	7/1981	Pearl	D14/60
511,308	12/1893	Mueller	248/163.1
554,661	2/1896	Doolittle	248/163.1
598,818	2/1898	Schwab	248/163.1

1,719,708	7/1929	Lerber	248/163.1
1,804,069	5/1931	Stover	248/163.1
1,897,905	2/1933	Johnson	248/163.1

FOREIGN PATENT DOCUMENTS

2051104	10/1970	Fed. Rep. of Germany	179/149
1055603	10/1953	France	179/147

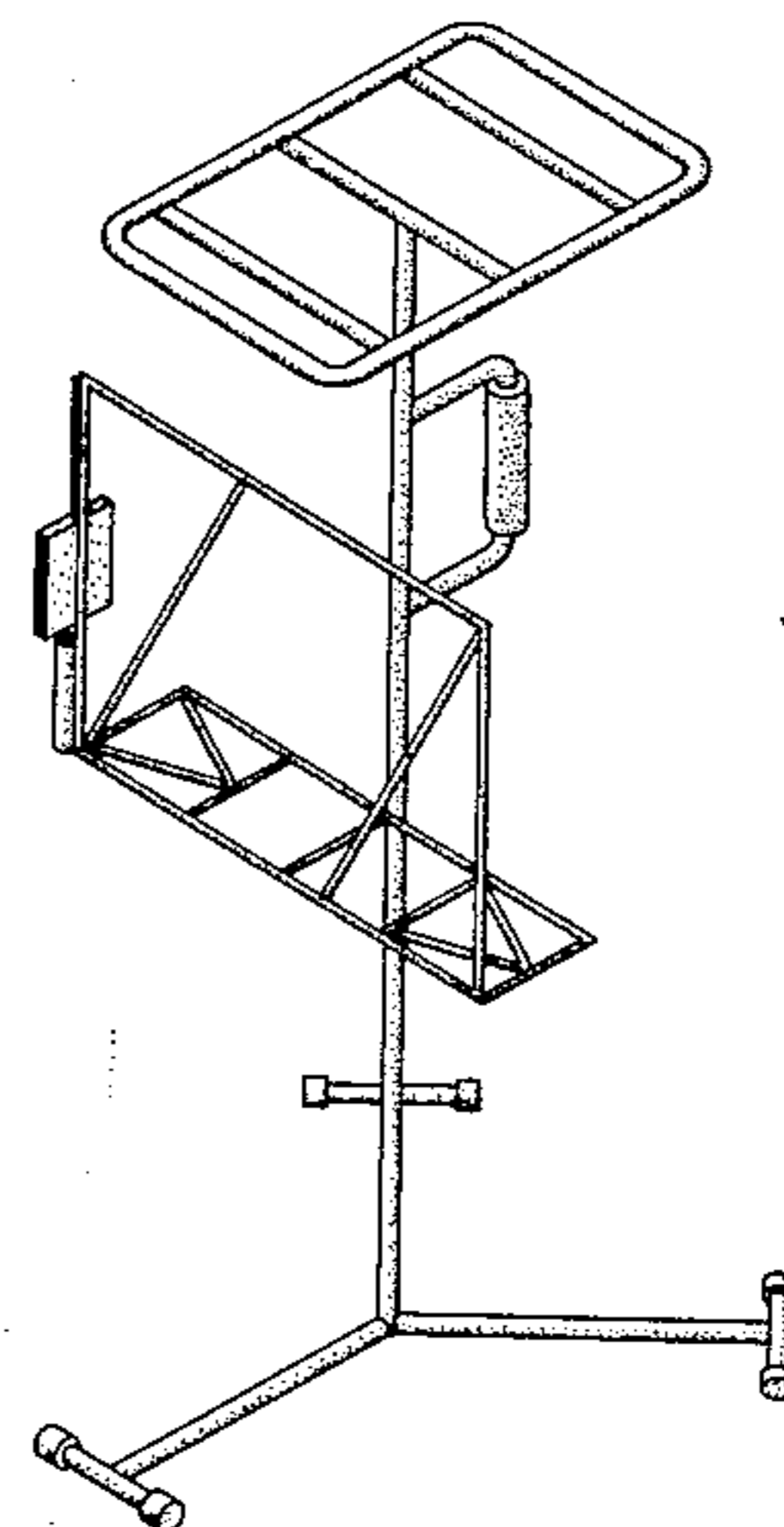
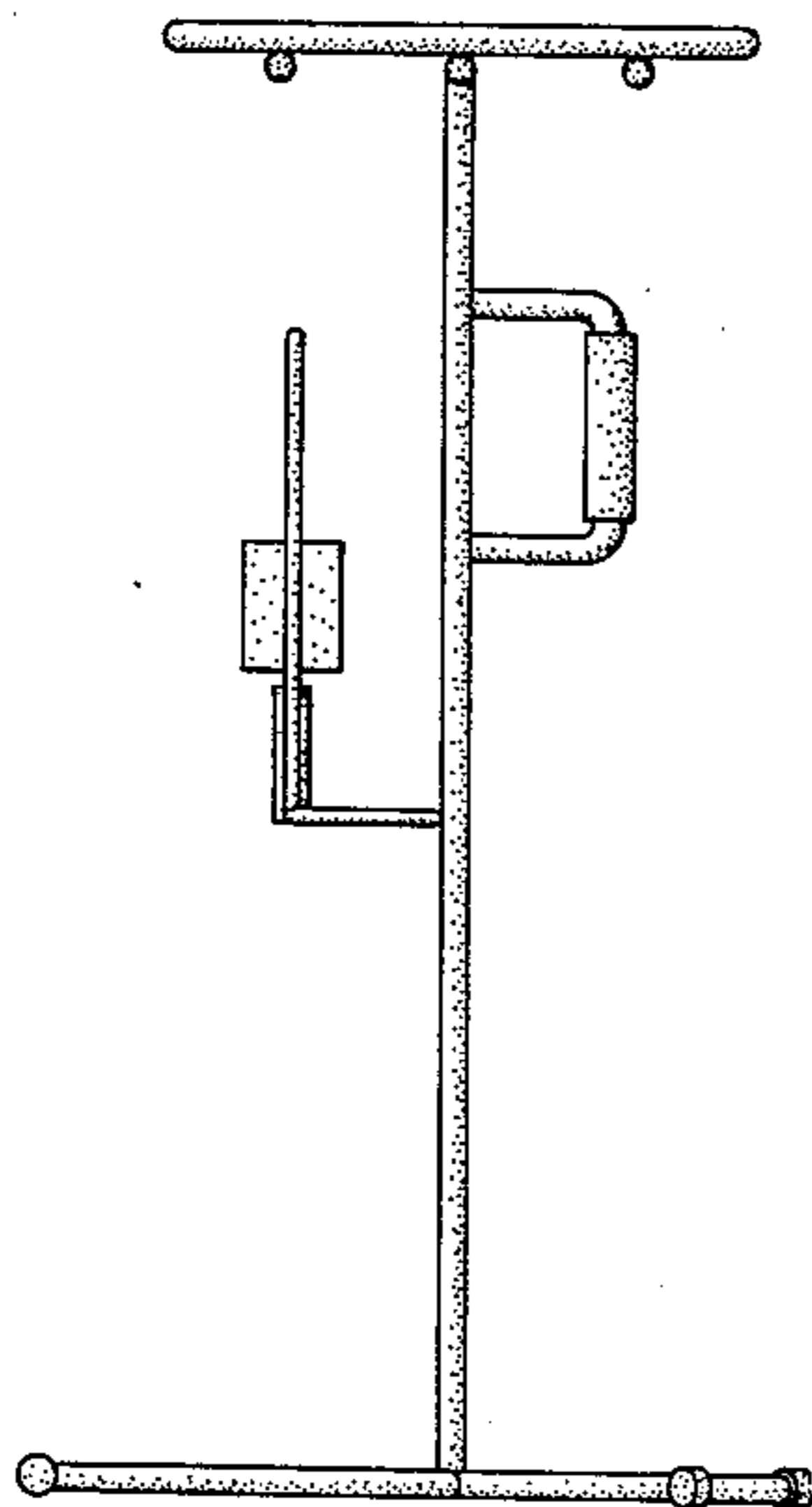
Primary Examiner—Wallace R. Burke
Assistant Examiner—Horace B. Fay
Attorney, Agent, or Firm—Woodford R. Thompson, Jr.

[57] CLAIM

The ornamental design for a stand for supporting a telephone and directory, as shown and described.

DESCRIPTION

FIG. 1 is a front, top and right side perspective view of a stand for supporting a telephone and directory showing my new design;
FIGS. 2 and 3 are respectively top and bottom plan views thereof;
FIGS. 4 and 5 are respectively front and rear elevational views thereof;
FIGS. 6 and 7 are respectively left and right side elevational views thereof;
FIG. 8 is a front, top and right side perspective view of a second embodiment thereof.



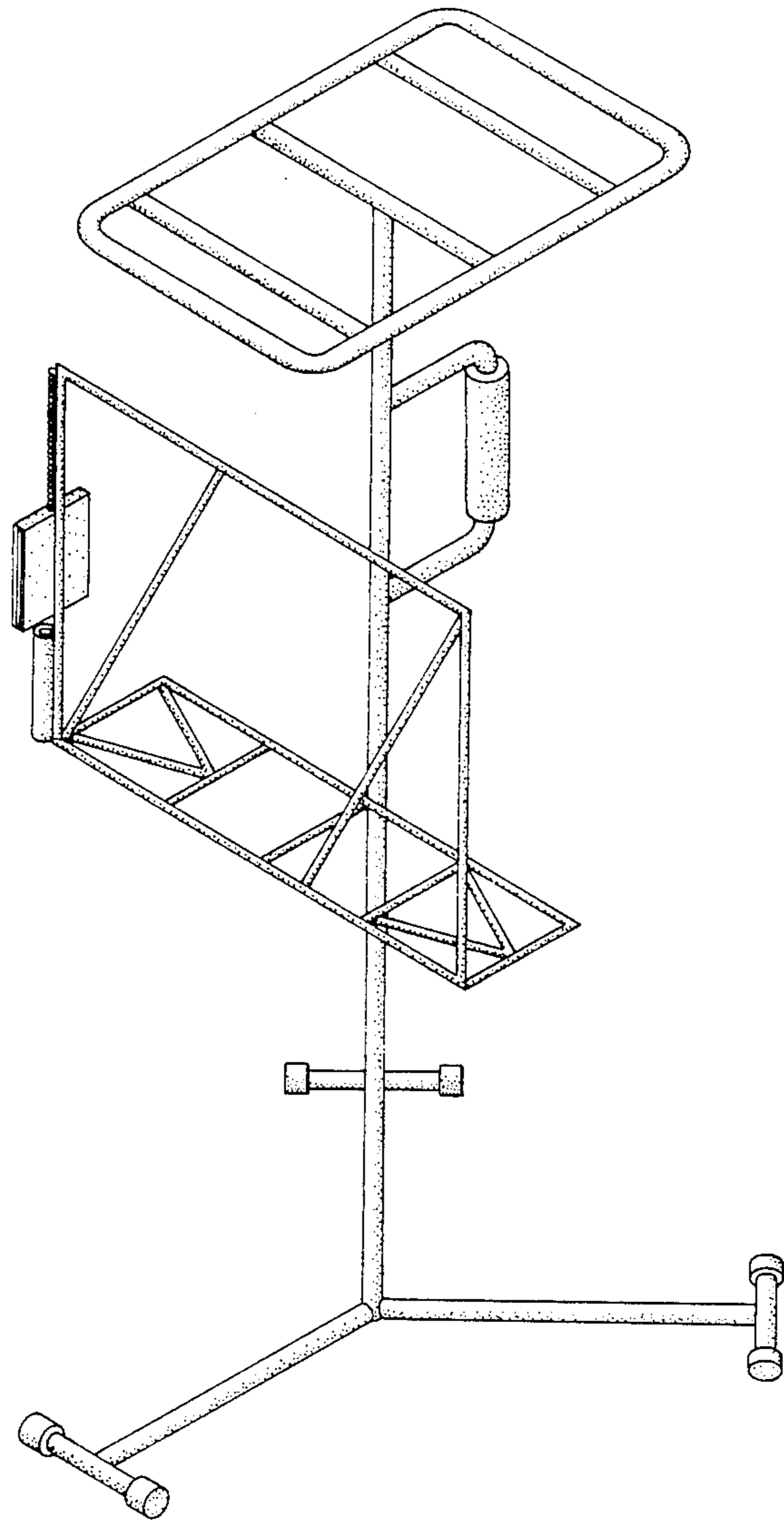


FIG. 1

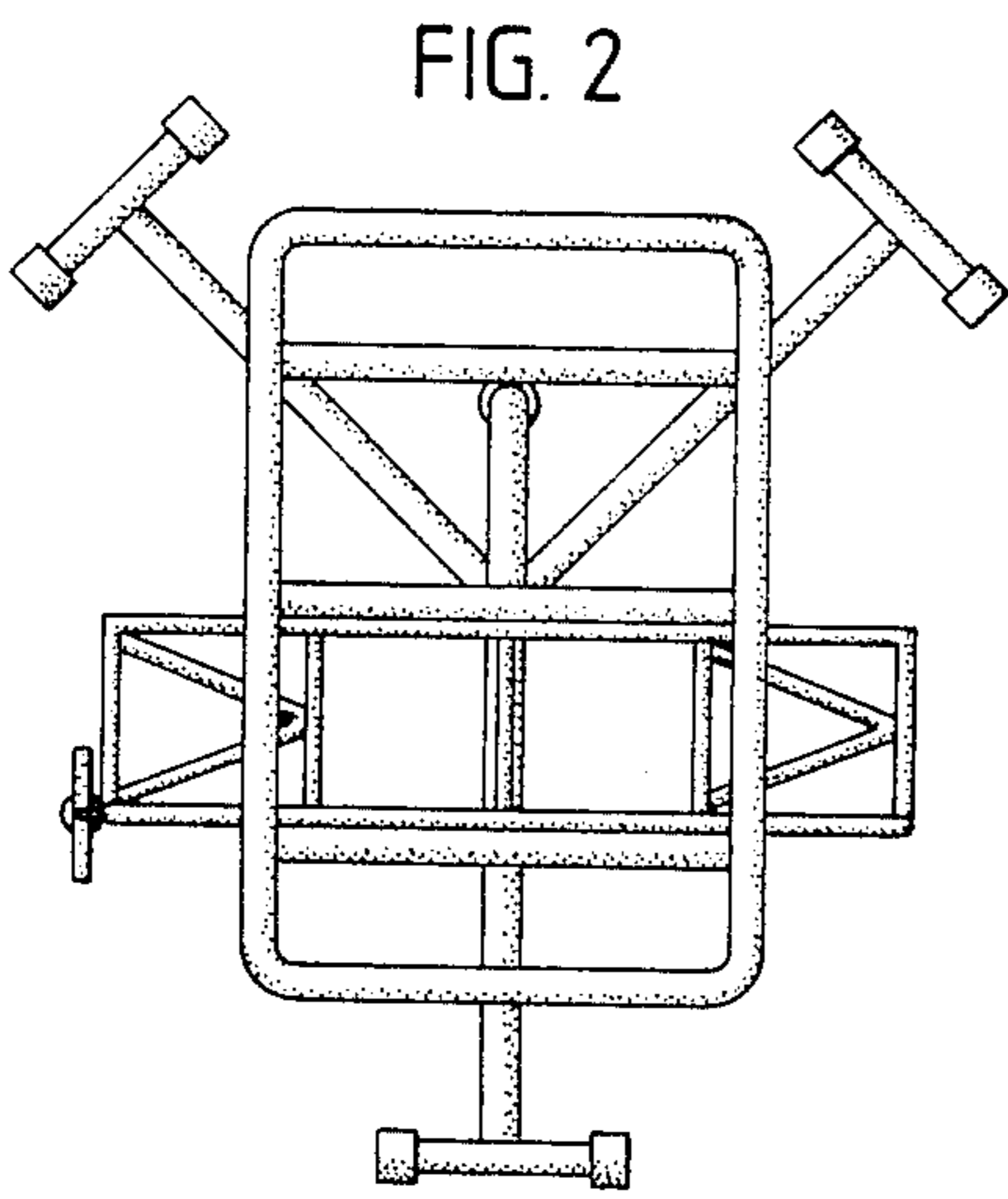


FIG. 2

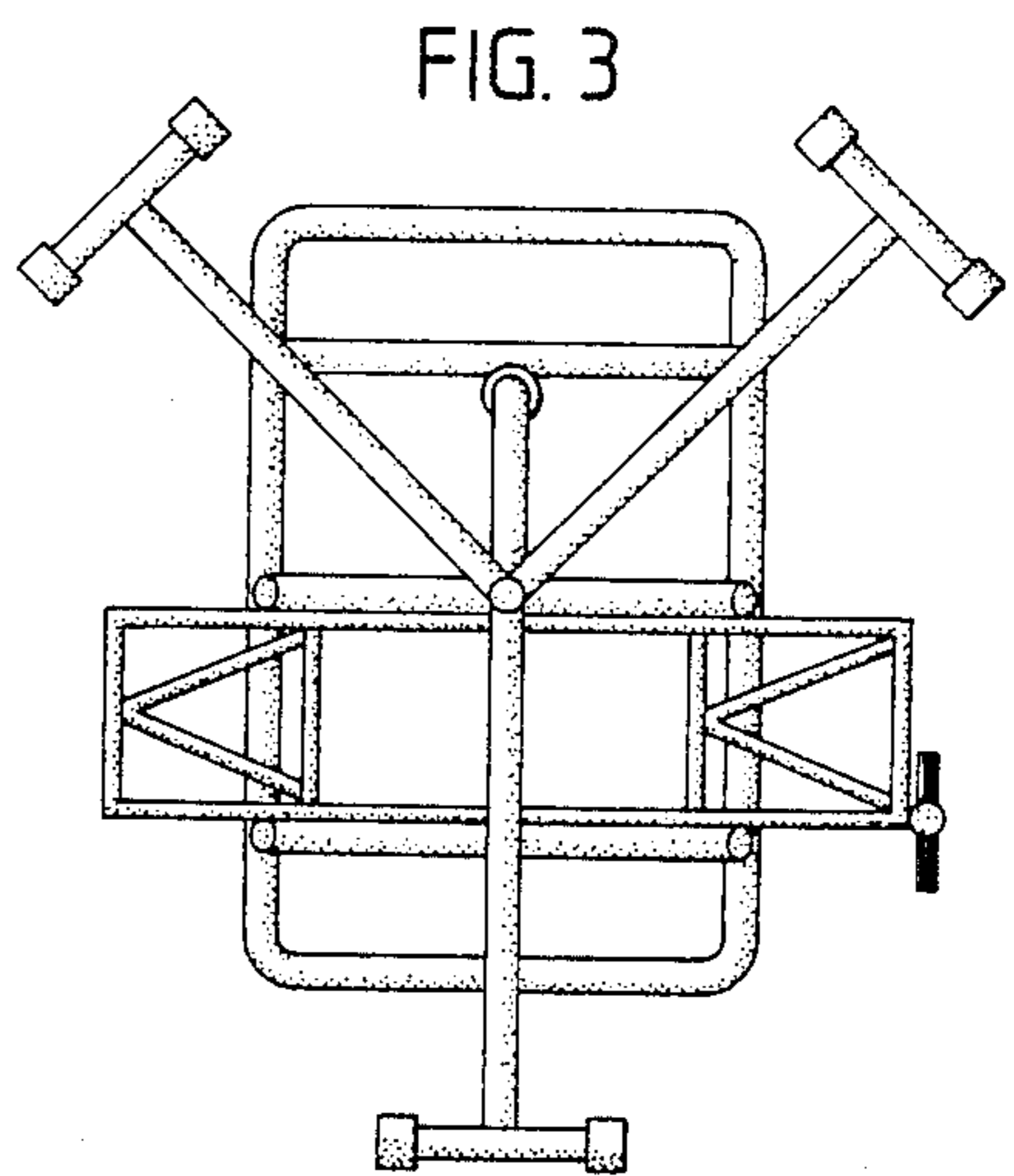


FIG. 3

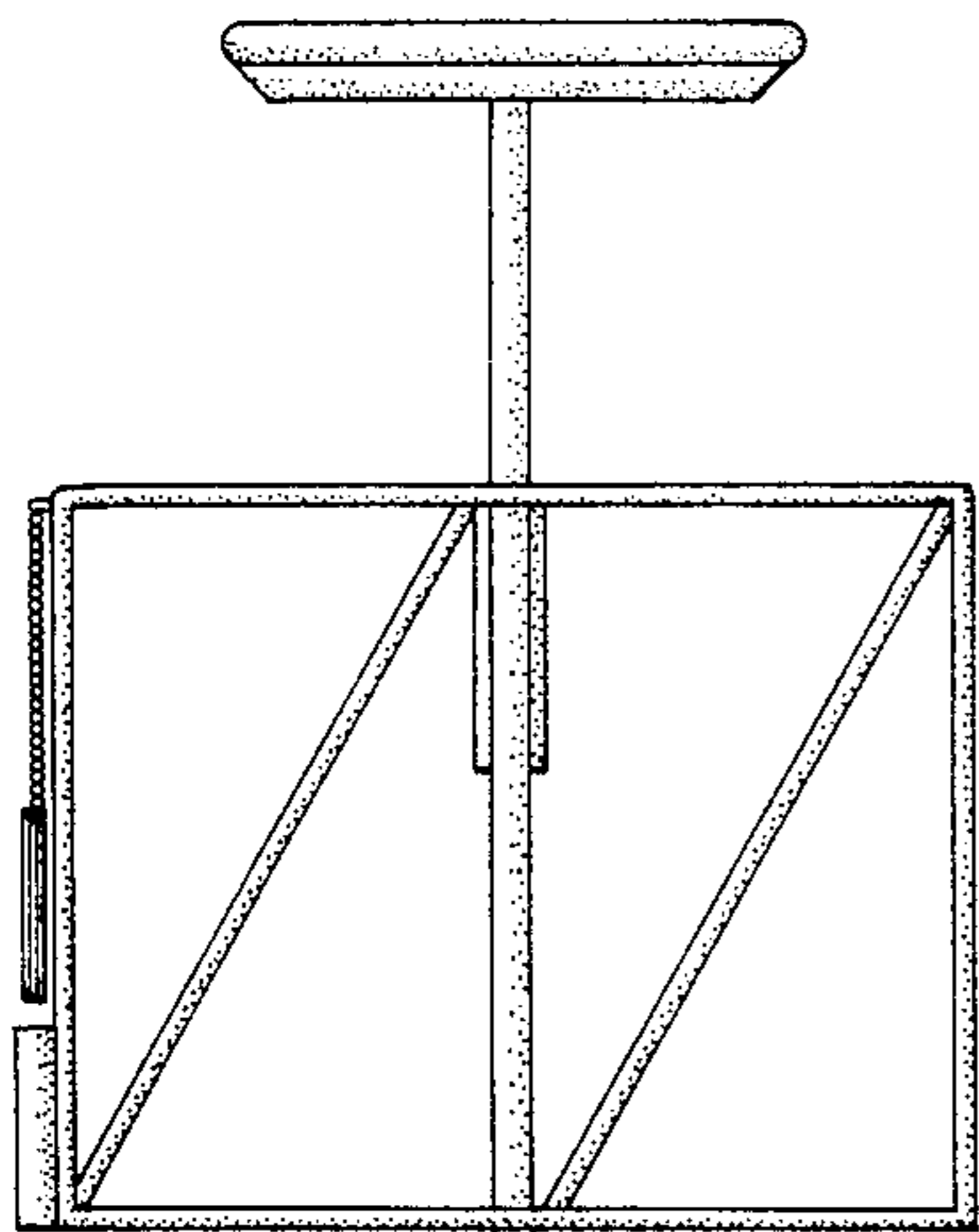


FIG. 4

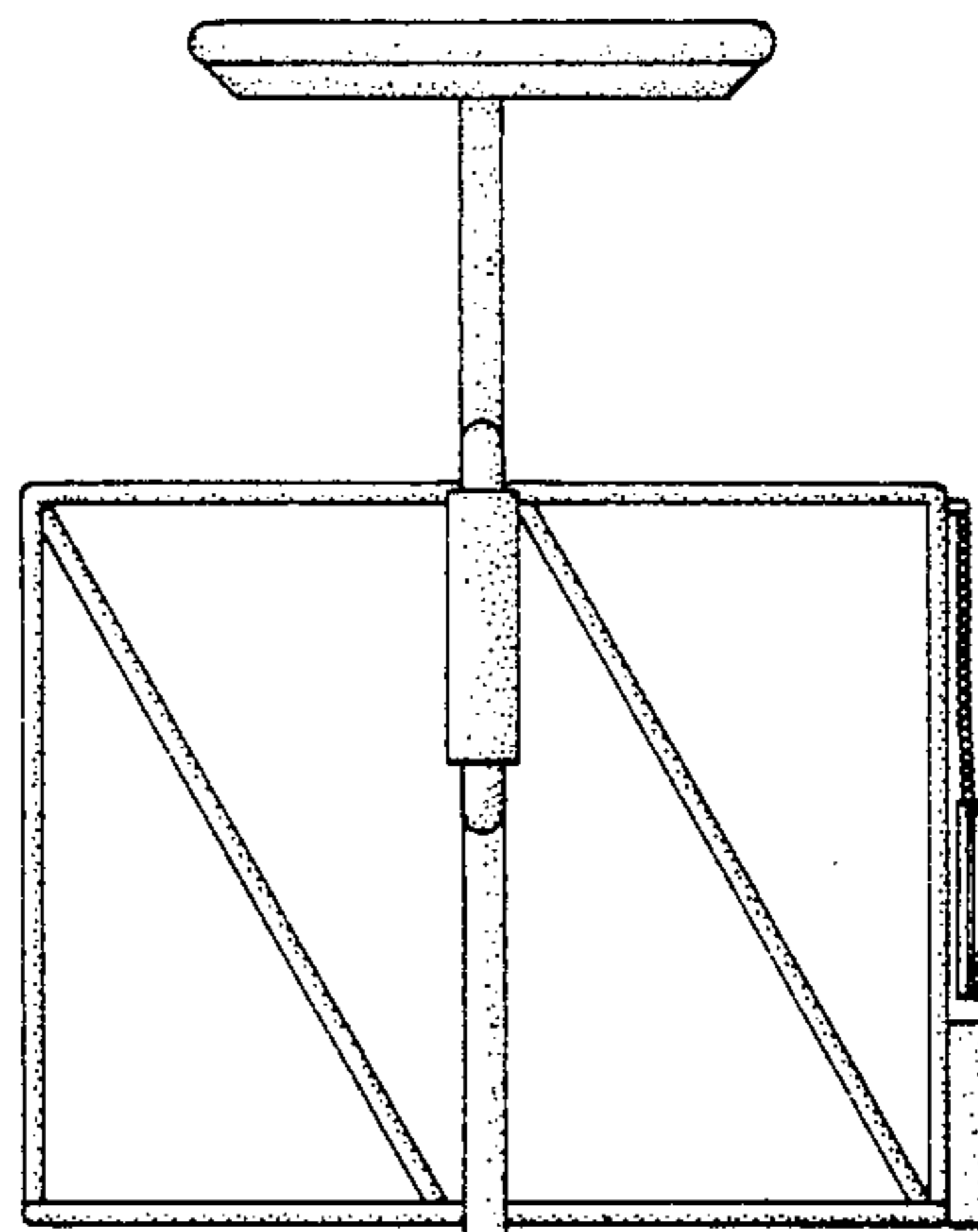


FIG. 5

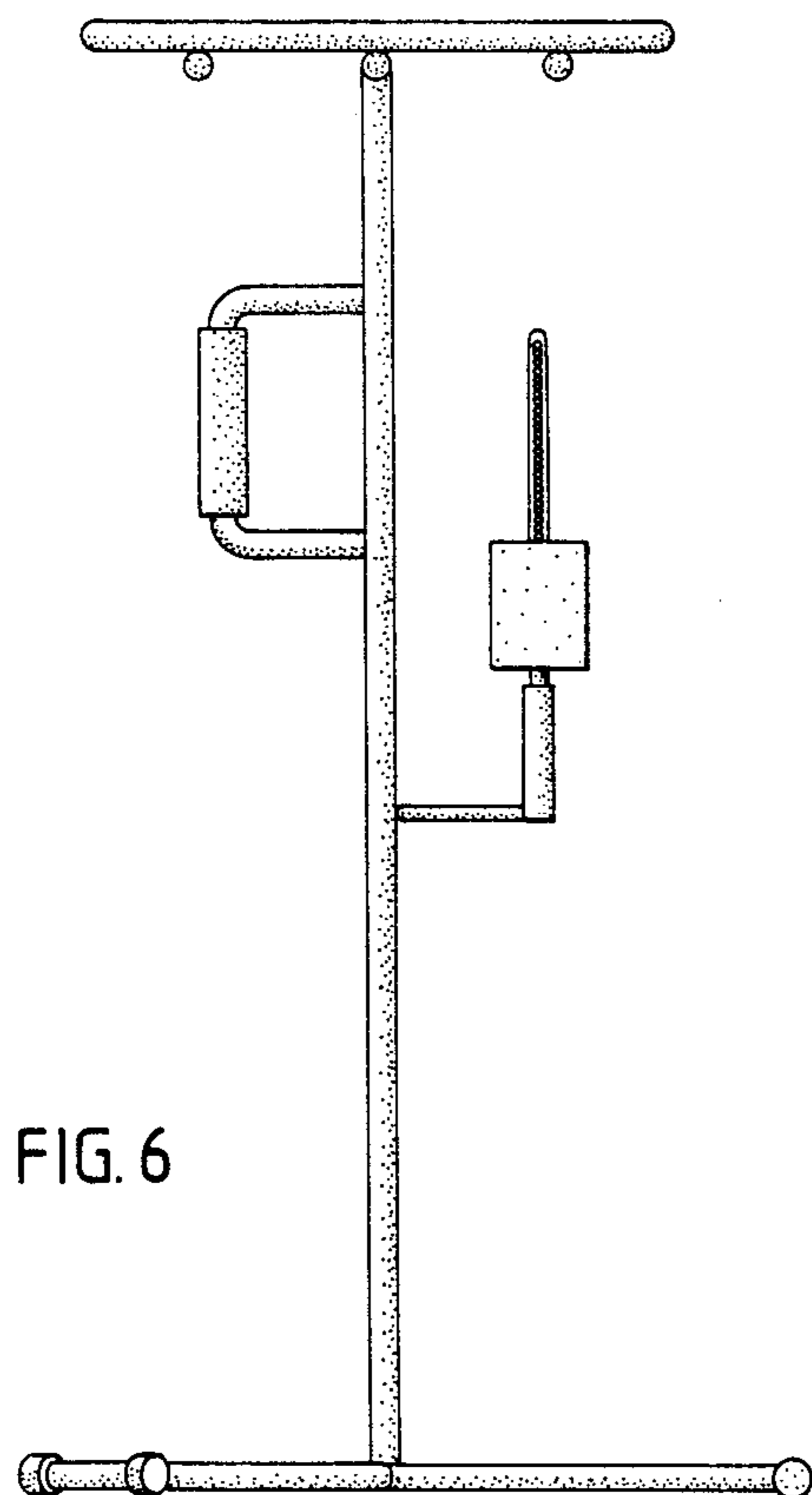


FIG. 6

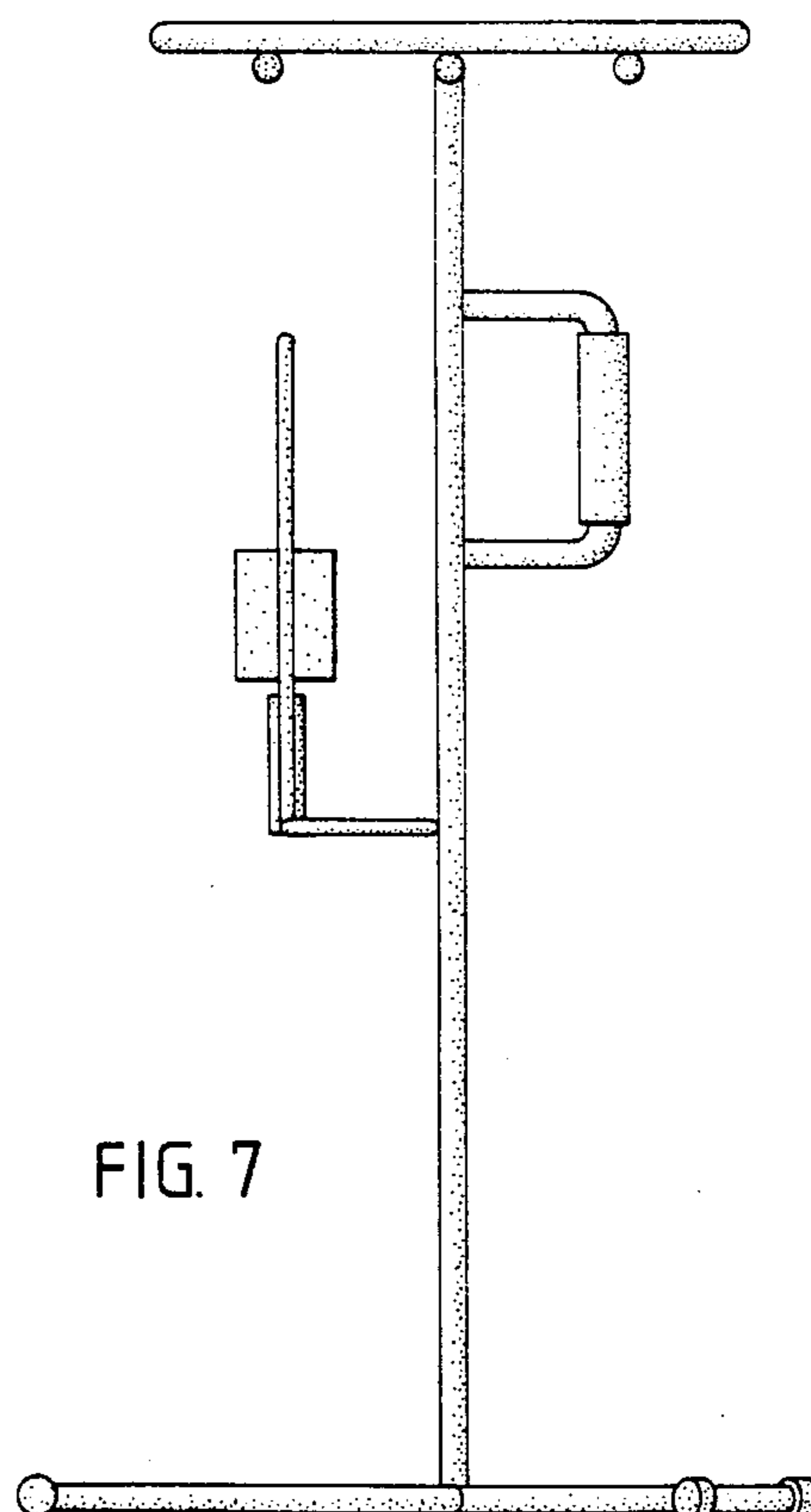


FIG. 7

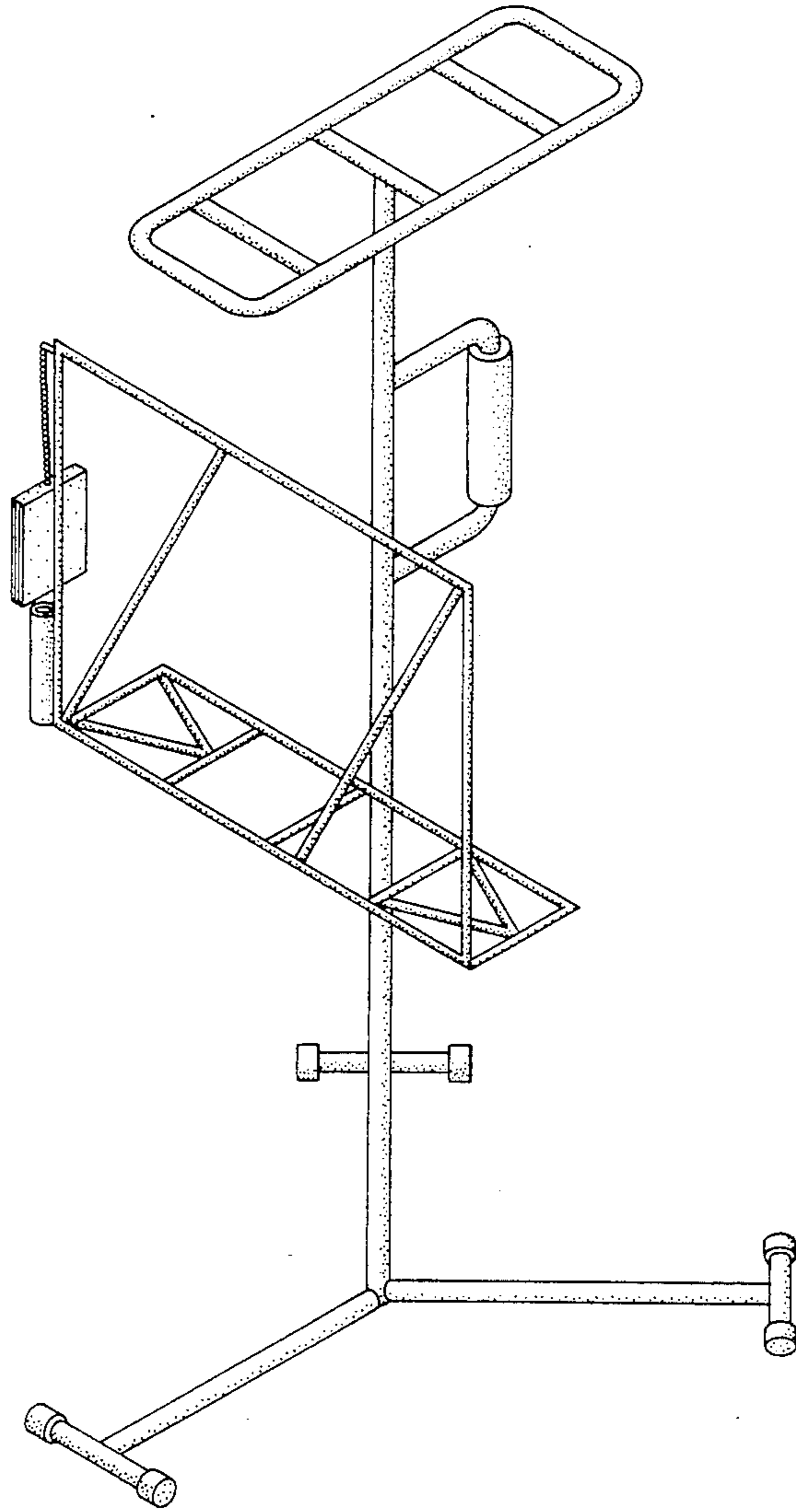


FIG. 8