

[54] LOUDSPEAKER

[75] Inventor: You Takagi, Tokyo, Japan

[73] Assignee: Pioneer Electronic Corporation, Tokyo, Japan

[*] Notice: The portion of the term of this patent subsequent to May 27, 2000 has been disclaimed.

[**] Term: 14 Years

[21] Appl. No.: 509,085

[22] Filed: Jun. 29, 1983

[30] Foreign Application Priority Data

| | | |
|----------------------|-------|---------------------------|
| Jan. 7, 1983 [JP] | Japan | 58-136 |
| [52] U.S. Cl. | | D14/30 |
| [58] Field of Search | | D14/30, 32-34, D14/37, 39 |

[56]

References Cited

U.S. PATENT DOCUMENTS

| | | | |
|------------|--------|--------|----------|
| D. 254,130 | 2/1980 | Iijima | D14/30 |
| D. 254,434 | 3/1980 | Iijima | D14/30 |
| D. 265,556 | 7/1982 | Iijima | D14/30 |
| D. 275,098 | 8/1984 | Flick | D14/39 X |

Primary Examiner—Bernard Ansher
 Assistant Examiner—Theodore M. Shooman
 Attorney, Agent, or Firm—Sughrue, Mion, Zinn, Macpeak and Seas

[57]

CLAIM

The ornamental design for a loudspeaker, as shown.

DESCRIPTION

FIG. 1 is a front elevational view of a loudspeaker showing my new design;
 FIG. 2 is a rear elevational view thereof;
 FIG. 3 is a left side elevational view thereof;
 FIG. 4 is a right side elevational view thereof;
 FIG. 5 is a top plan view thereof;
 FIG. 6 is a bottom plan view thereof; and
 FIG. 7 is a front perspective view thereof.

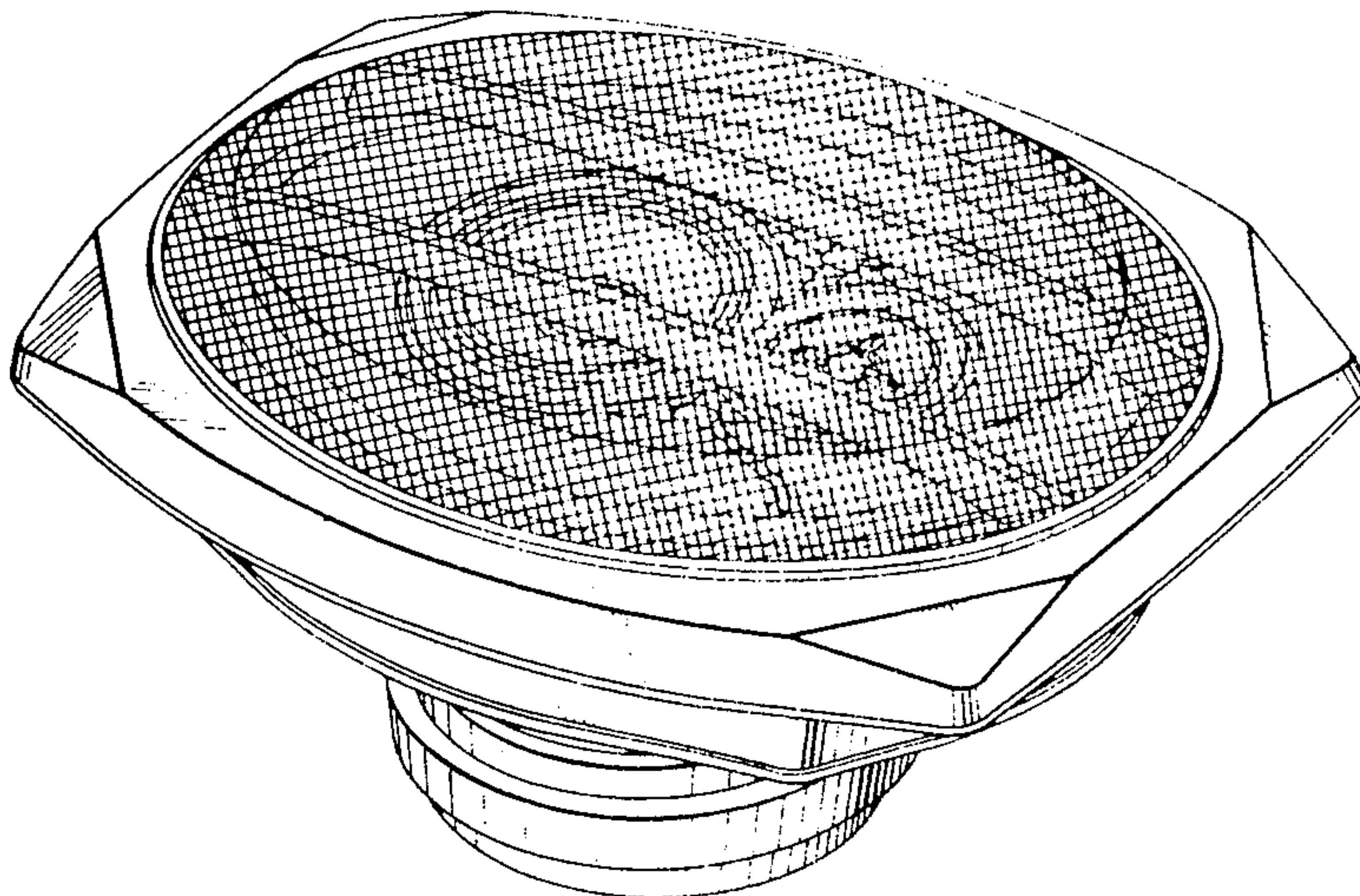
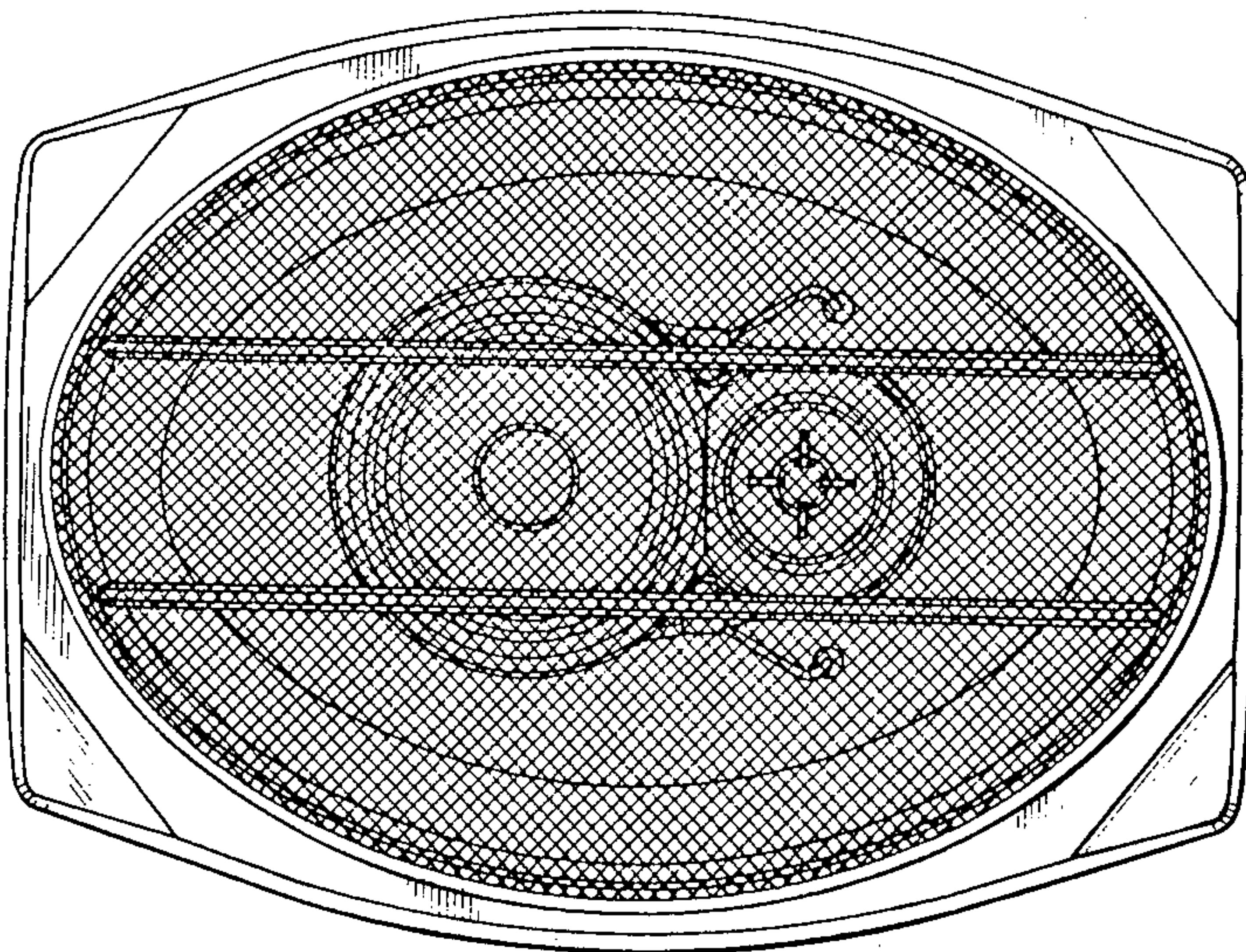


FIG. 1

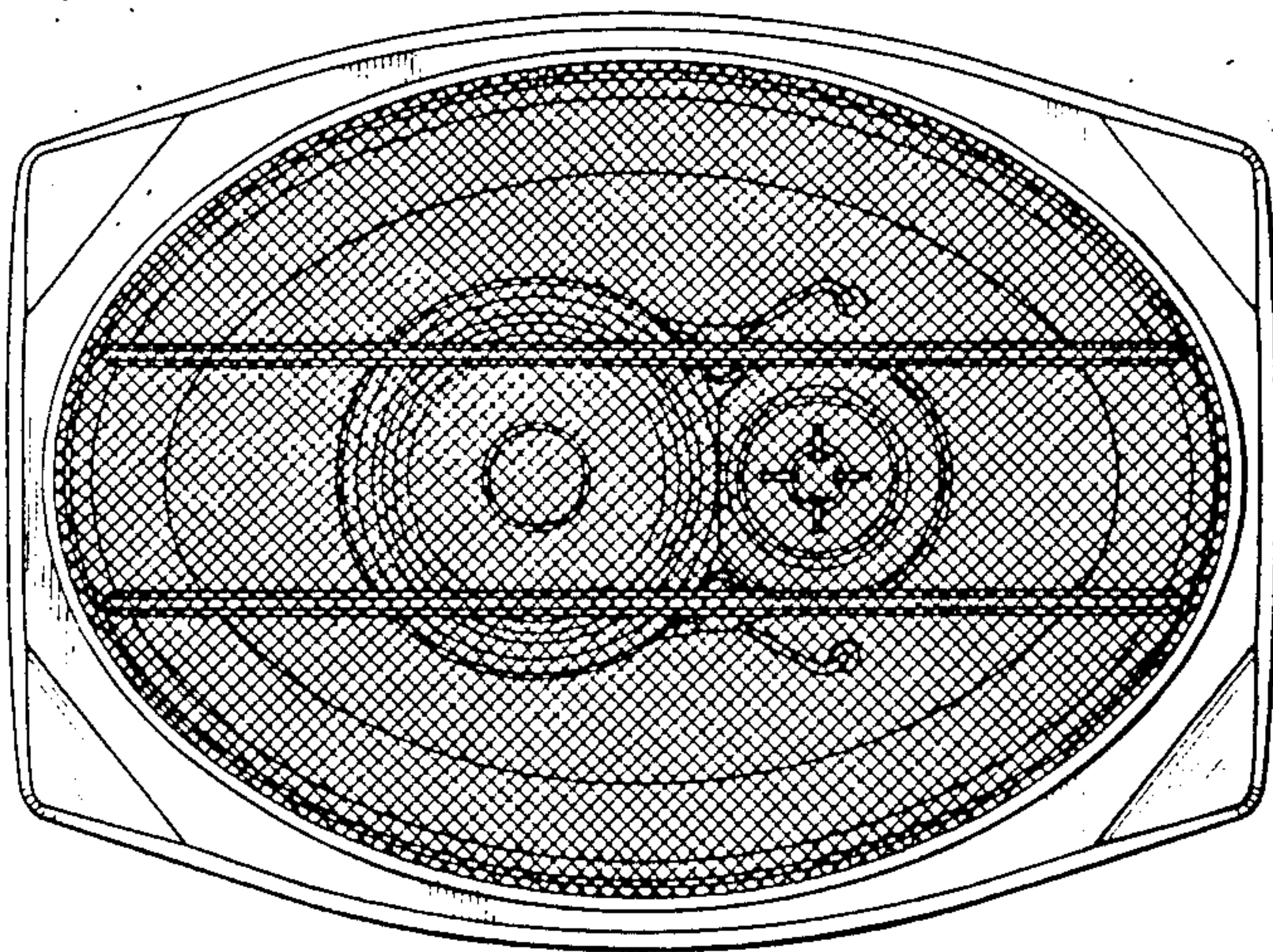


FIG. 2

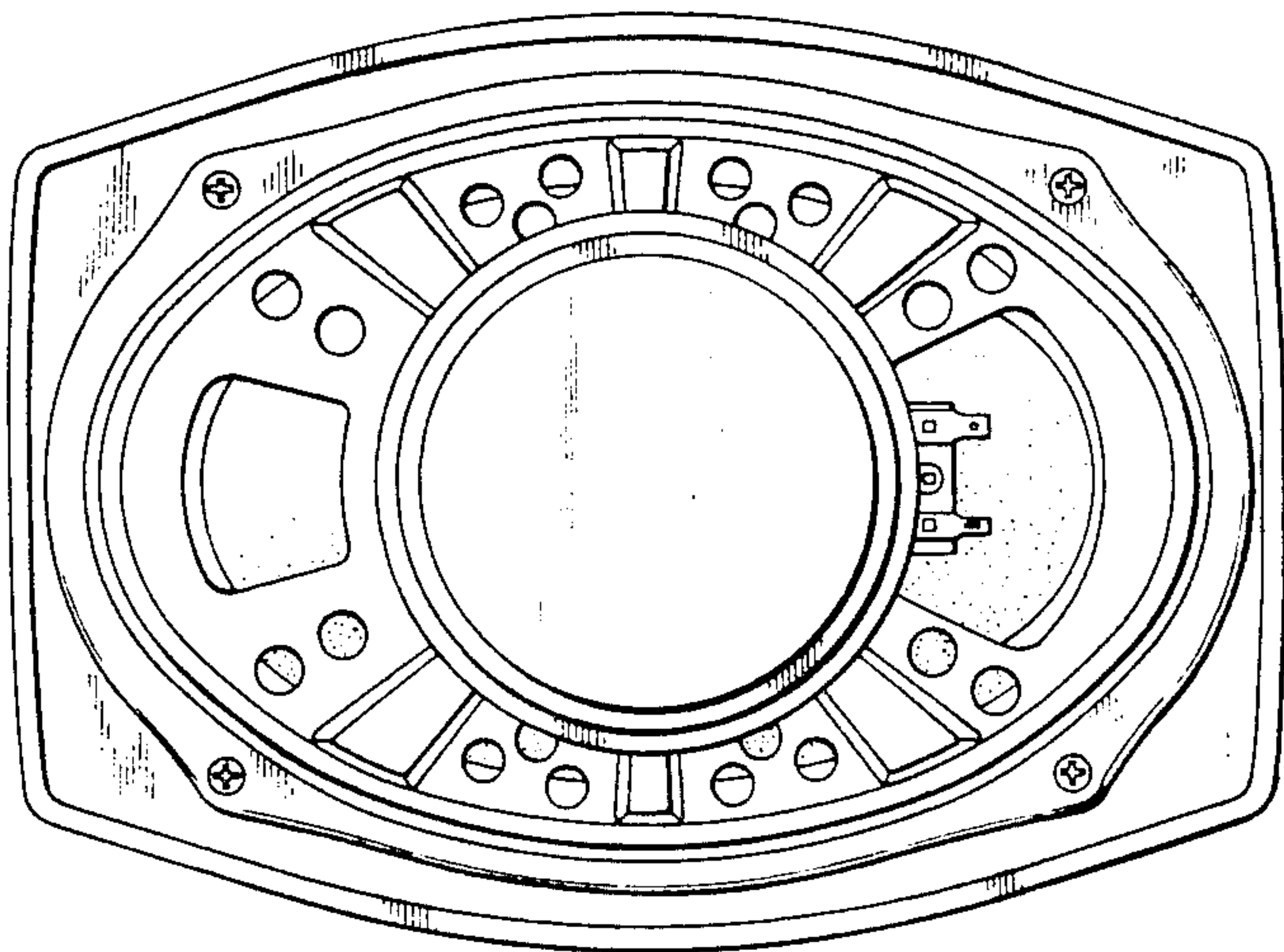


FIG. 3

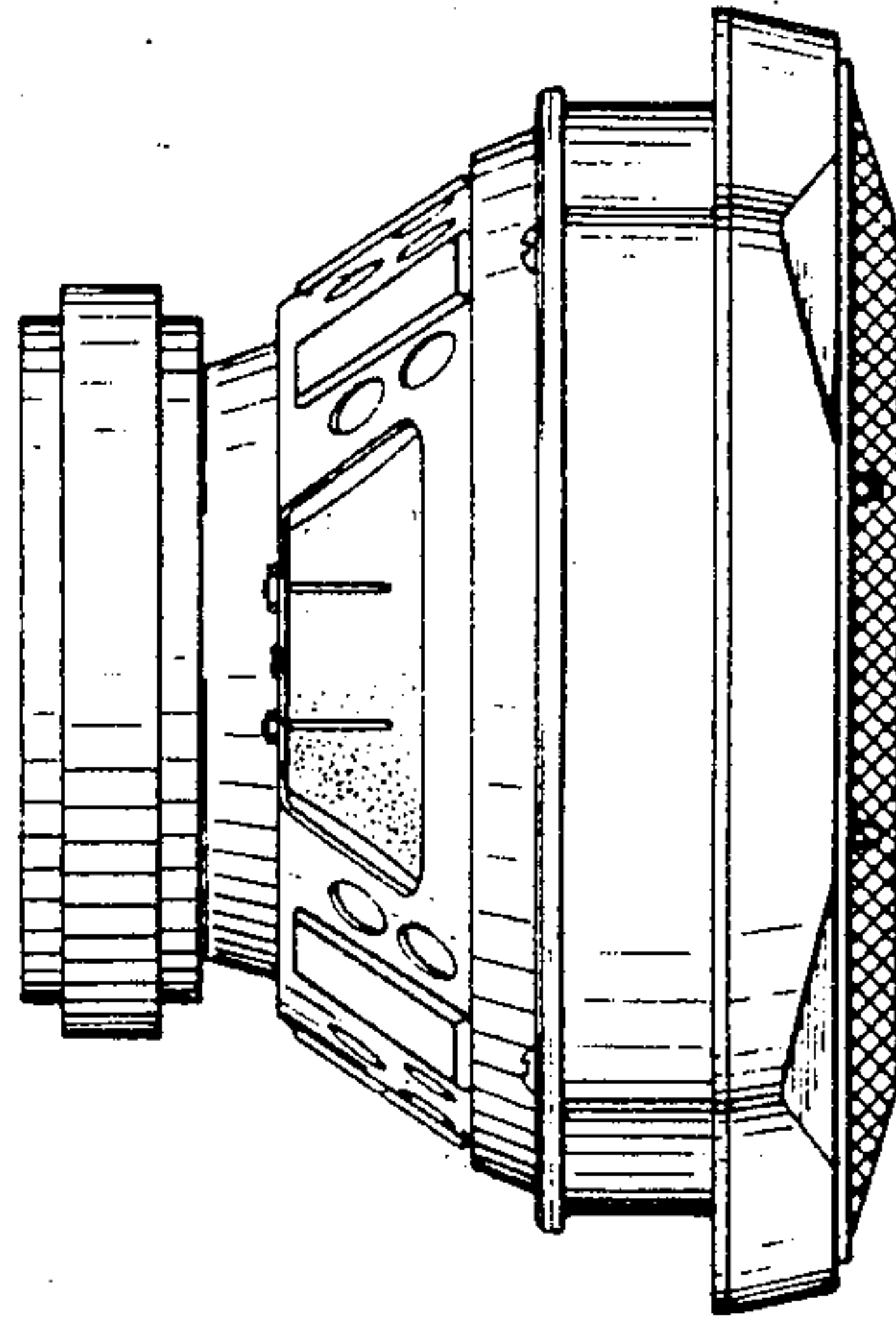


FIG. 4

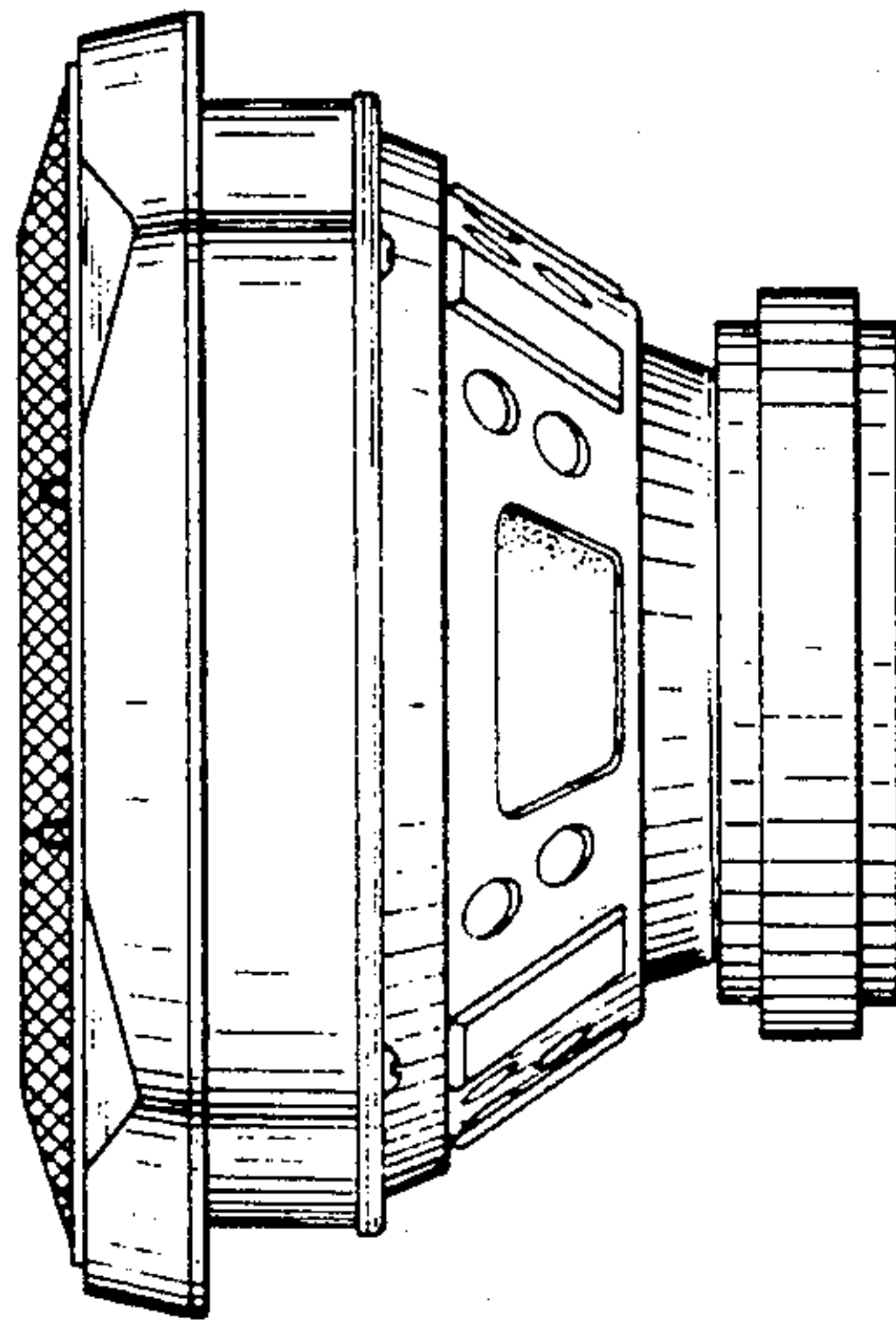


FIG. 5

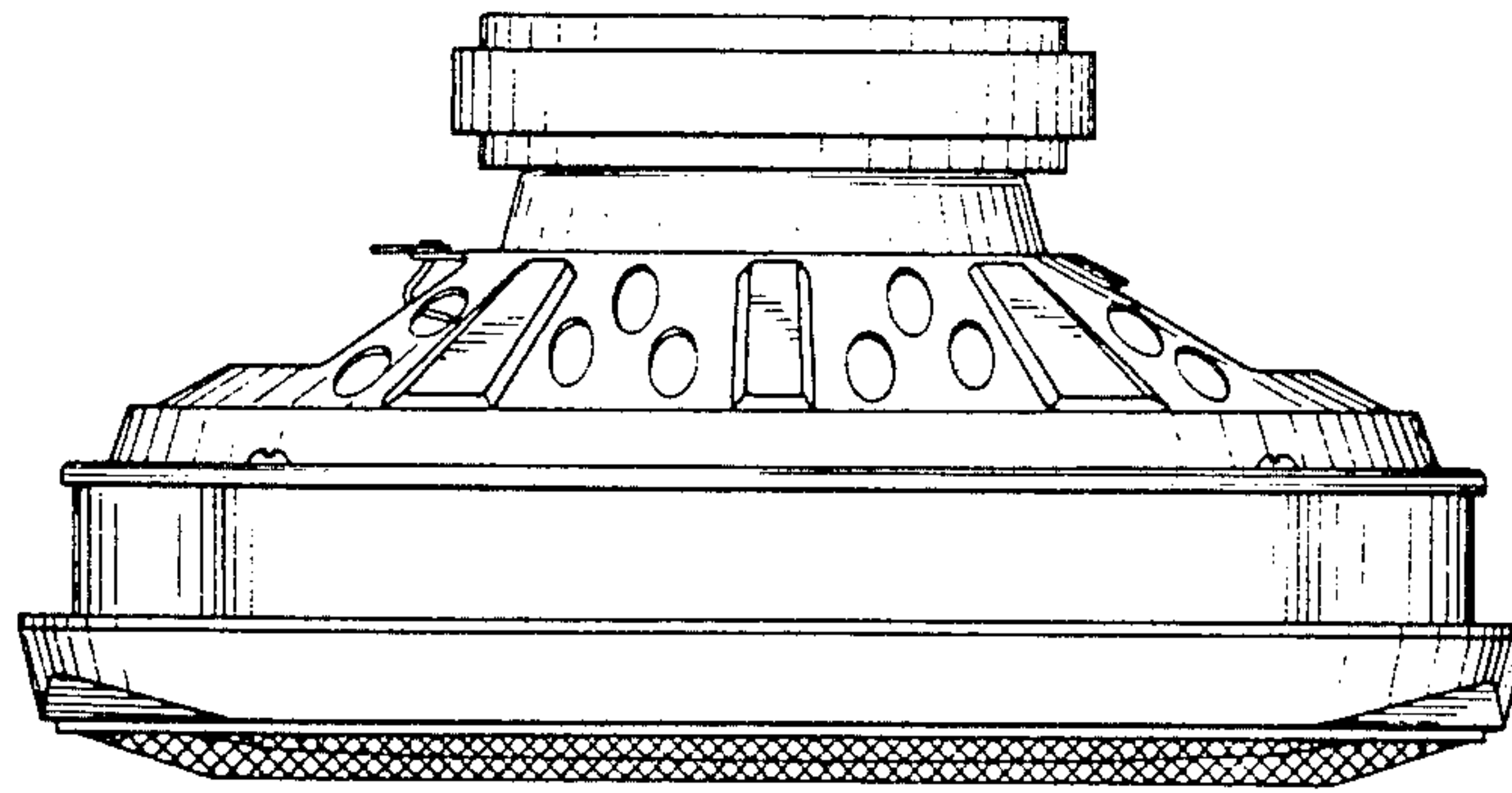


FIG. 6

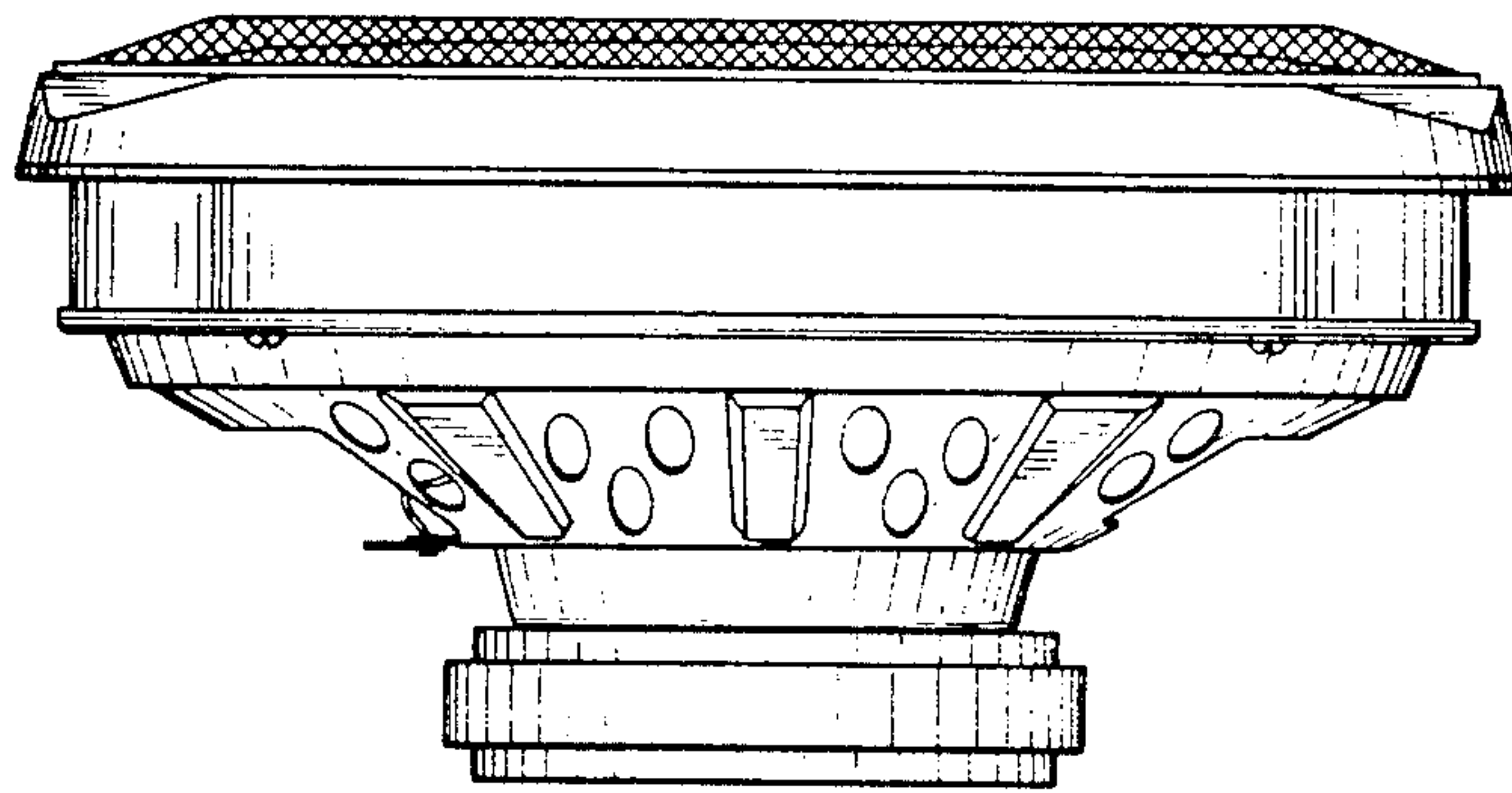


FIG. 7

