

- [54] AUDIO DELAY/PREVIEW UNIT
- [75] Inventor: Tsunehisa Ishii, Isehara, Japan
- [73] Assignee: Sony Corporation, Tokyo, Japan
- [**] Term: 14 Years
- [21] Appl. No.: 497,109
- [22] Filed: May 23, 1983
- [52] U.S. Cl. D14/1; D10/46; D10/75
- [58] Field of Search D10/46, 75, 78, 102, D10/103, 76; 324/156, 158 F; D14/1; D13/40, 41; 330/280; 328/177; 360/7, 31; 381/56

3,235,797	2/1966	Bosica	324/158 F
3,656,058	4/1972	Leathers	324/158 F
4,021,734	5/1977	Ott	324/156

OTHER PUBLICATIONS

Home Furnishings Daily-6/2/75-p. 28-Tuner and Tape Deck at top of page.

Primary Examiner-Nelson C. Holtje
Attorney, Agent, or Firm-Philip M. Shaw, Jr.

[57] CLAIM

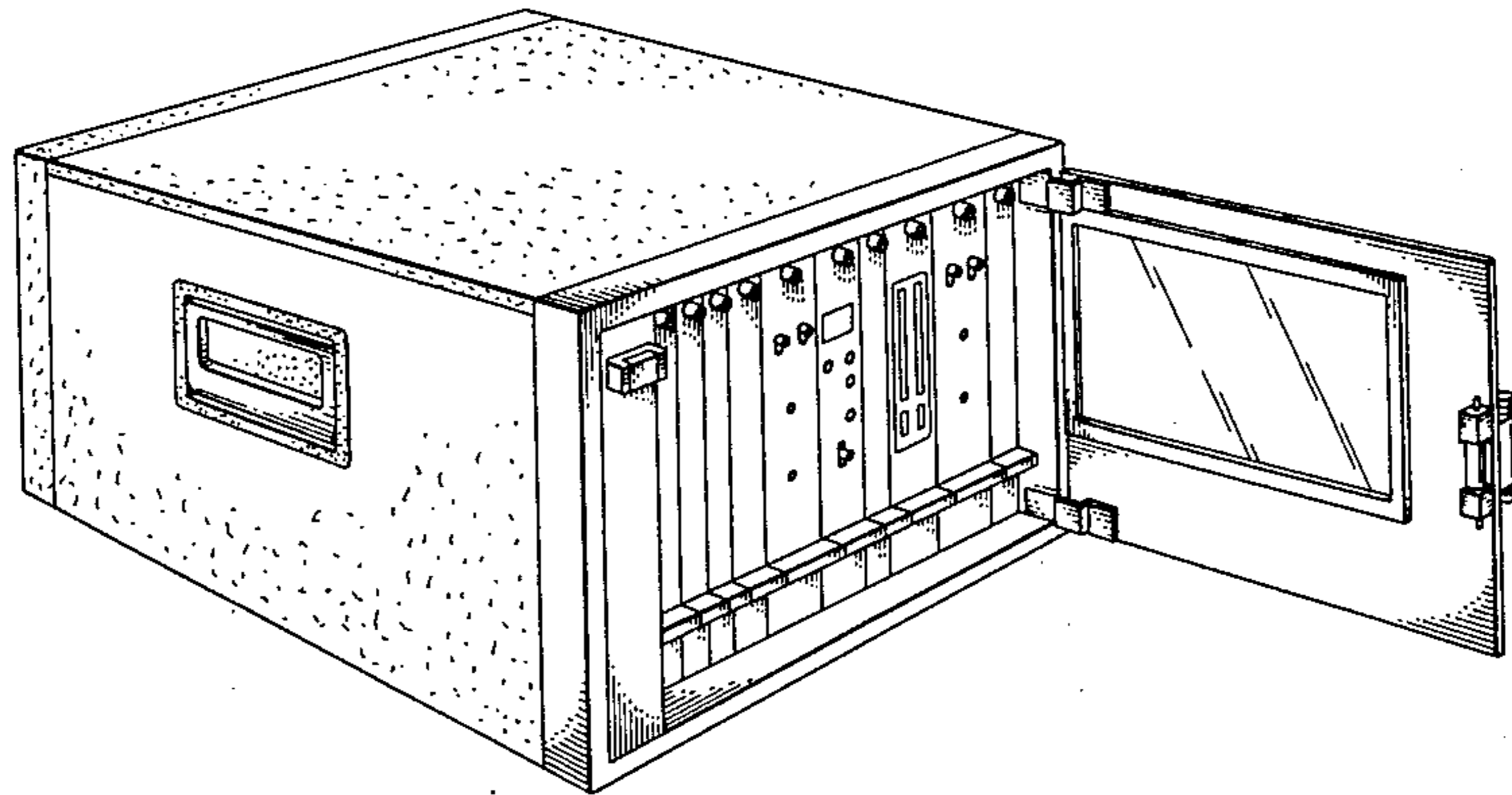
The ornamental design for an audio delay/preview unit, as shown and described.

DESCRIPTION

FIG. 1 is a front and top-left perspective view of an audio delay/preview unit showing my new design;
 FIG. 2 is a front elevational view thereof;
 FIG. 3 is a right side elevational view thereof;
 FIG. 4 is a left side elevational view thereof;
 FIG. 5 is a rear elevational view thereof;
 FIG. 6 is a top plan view thereof;
 FIG. 7 is a bottom plan view thereof;
 FIG. 8 is a front and top-left perspective view thereof with the cover door in the open position.

[56] References Cited
 U.S. PATENT DOCUMENTS

D. 161,636	1/1951	Manning	D14/1
D. 198,531	6/1964	Beville	D14/1
D. 214,381	6/1969	Rin	D14/1
D. 264,449	5/1982	Izaki	D10/75
D. 264,825	6/1982	Izaki	D10/75
D. 271,099	10/1983	Gibbs	D13/40 X
D. 277,652	2/1985	Kahl	D10/106
D. 280,503	9/1985	Onozaki	D14/1



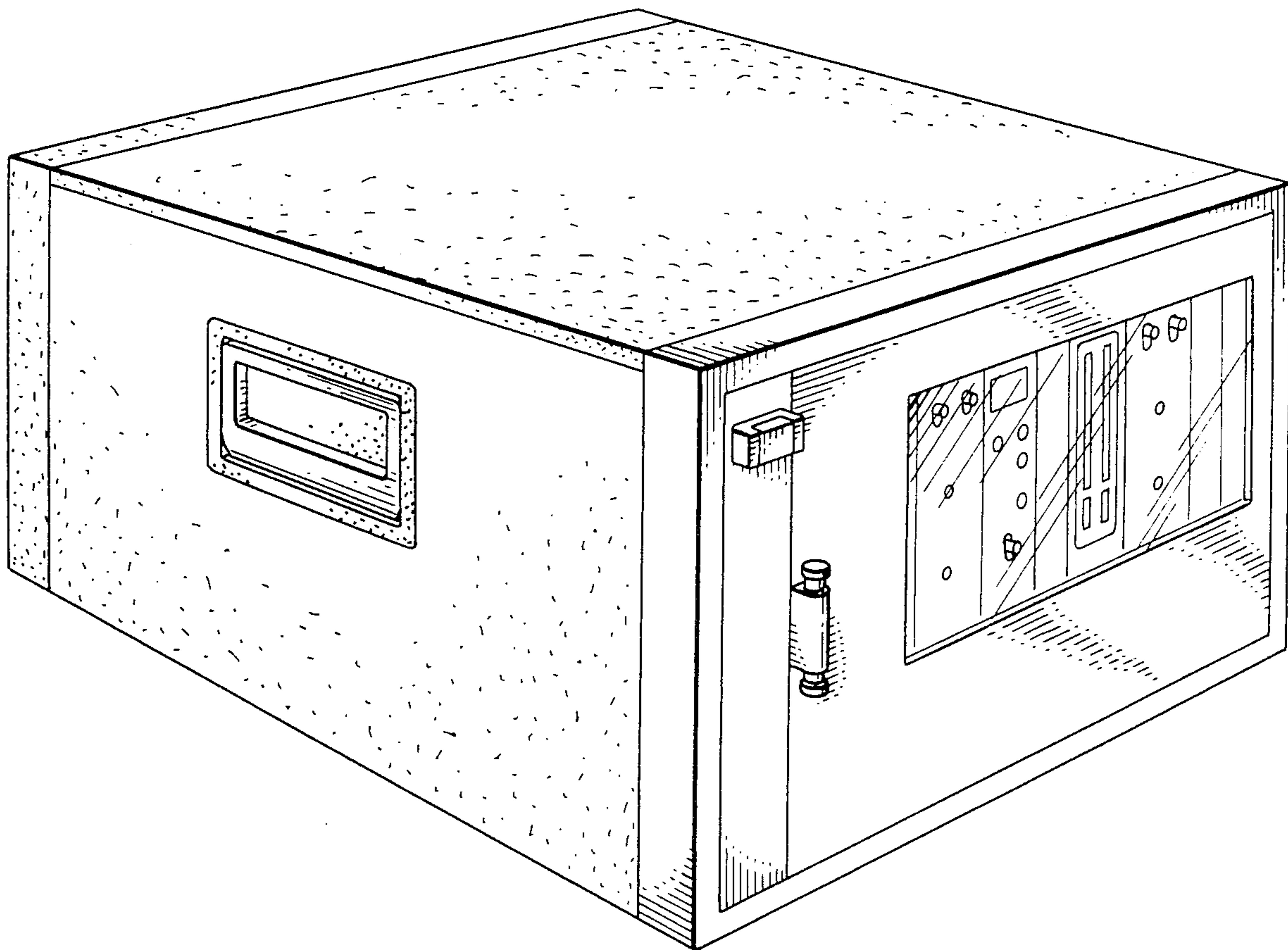


FIG. 1.

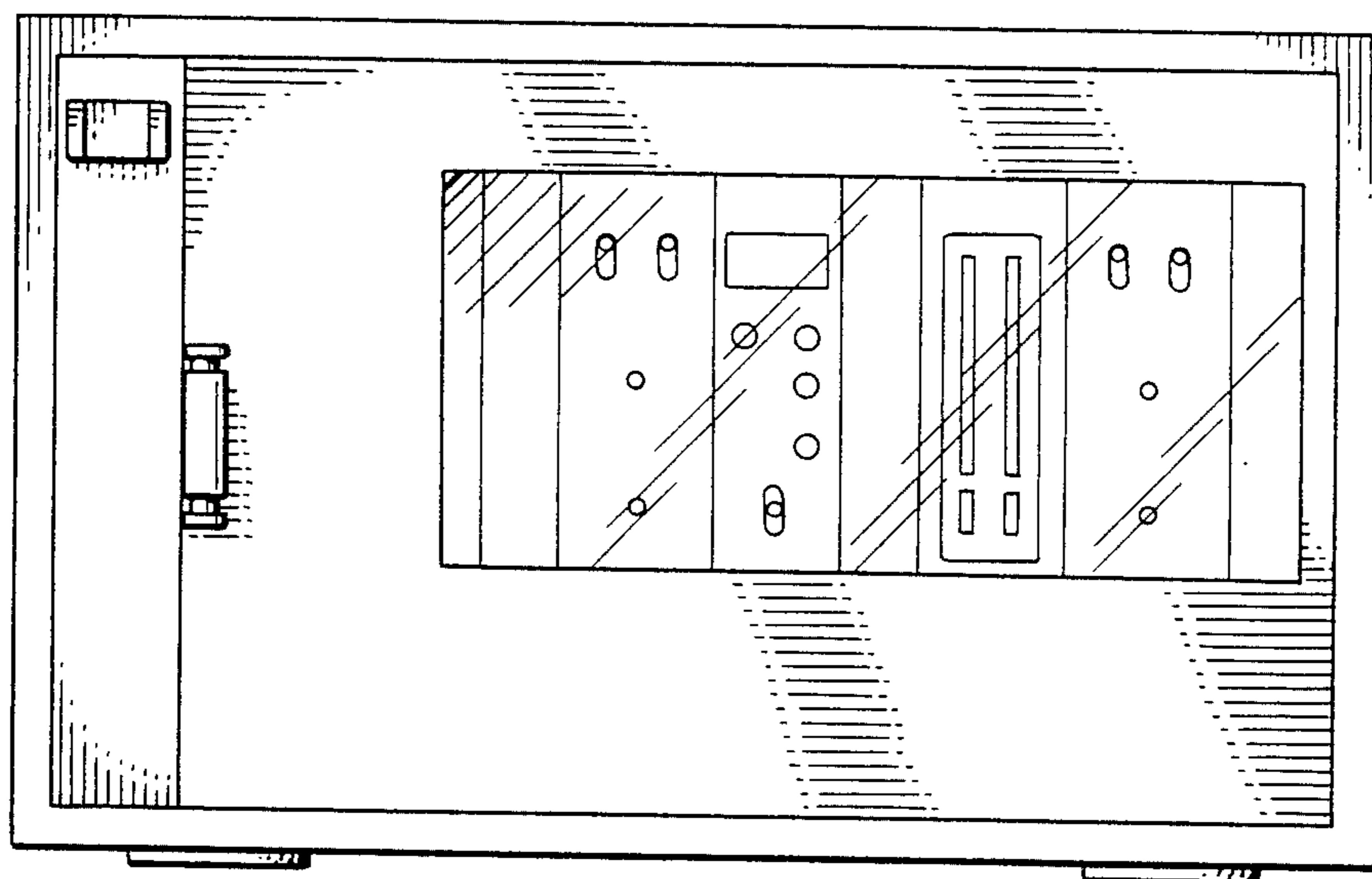


FIG. 2.

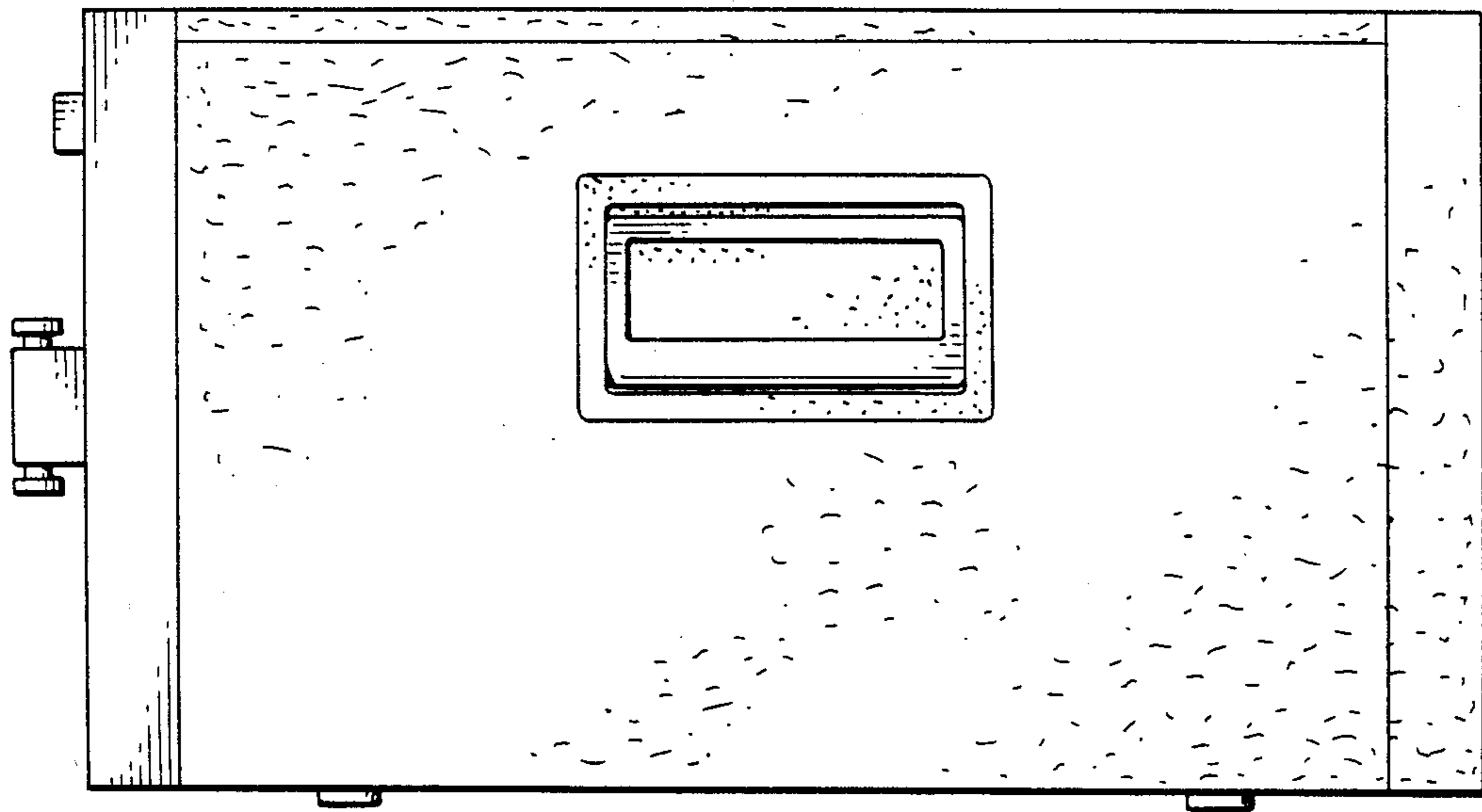


FIG. 3.

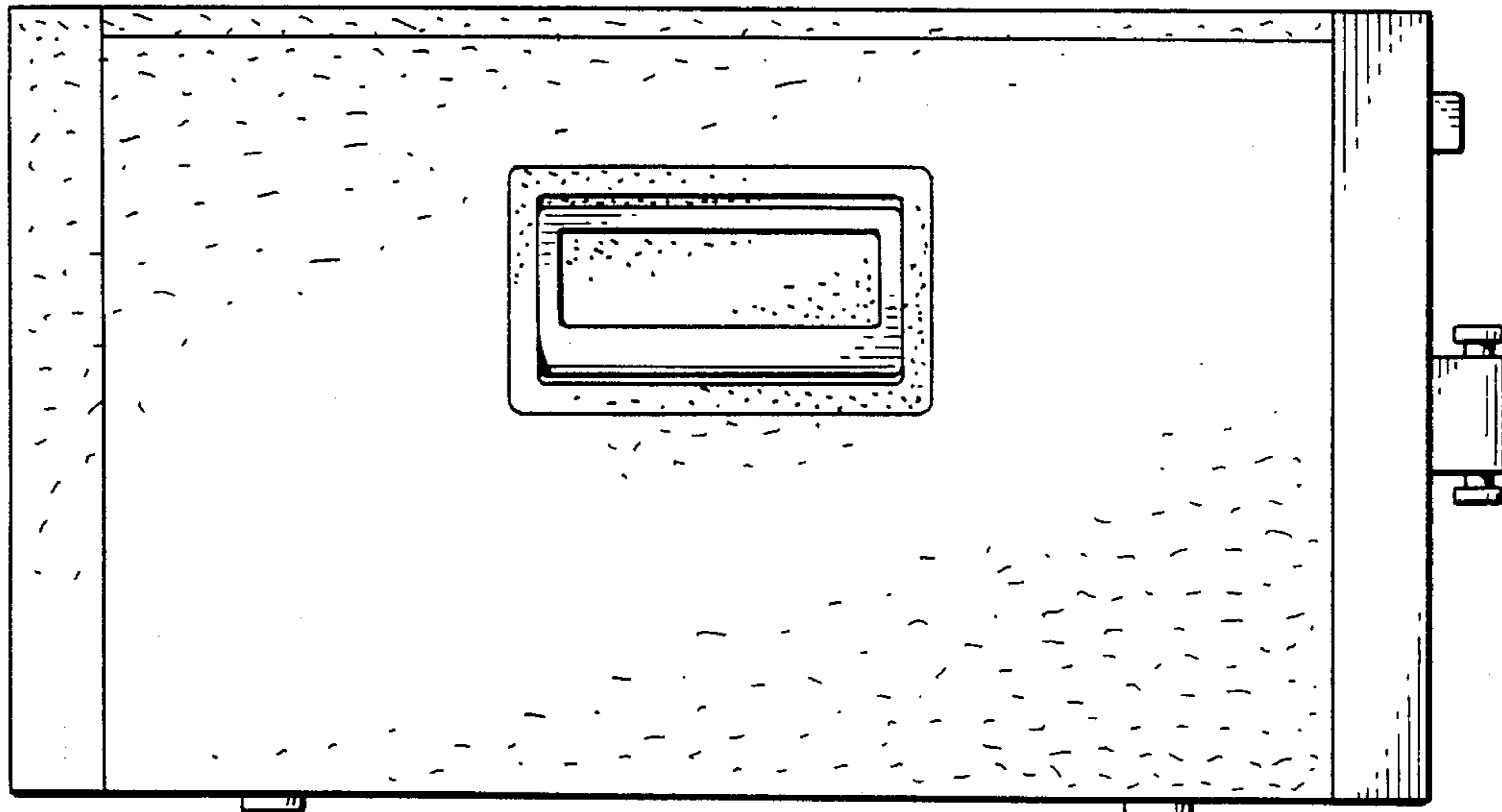


FIG. 4.

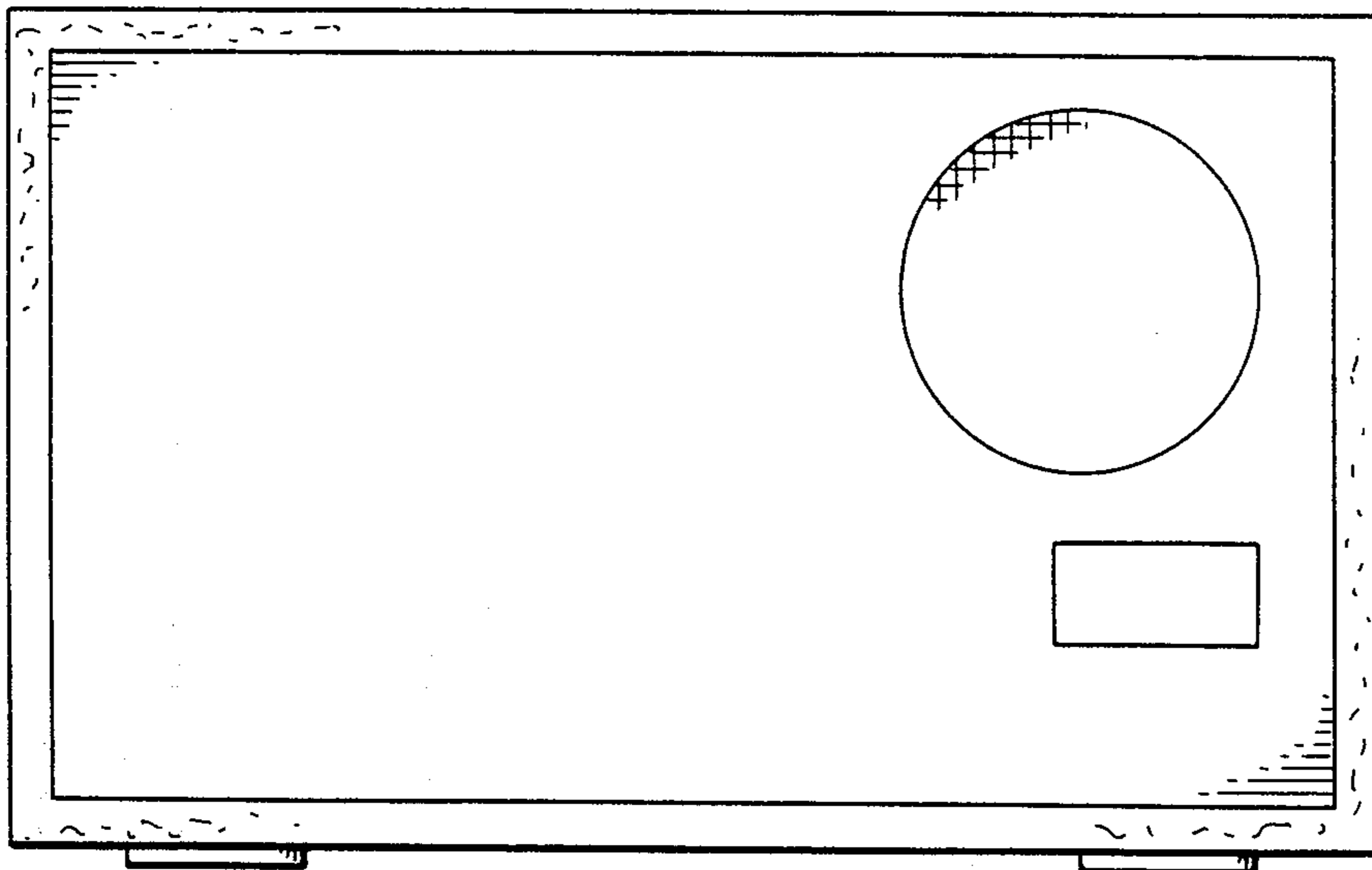


FIG. 5

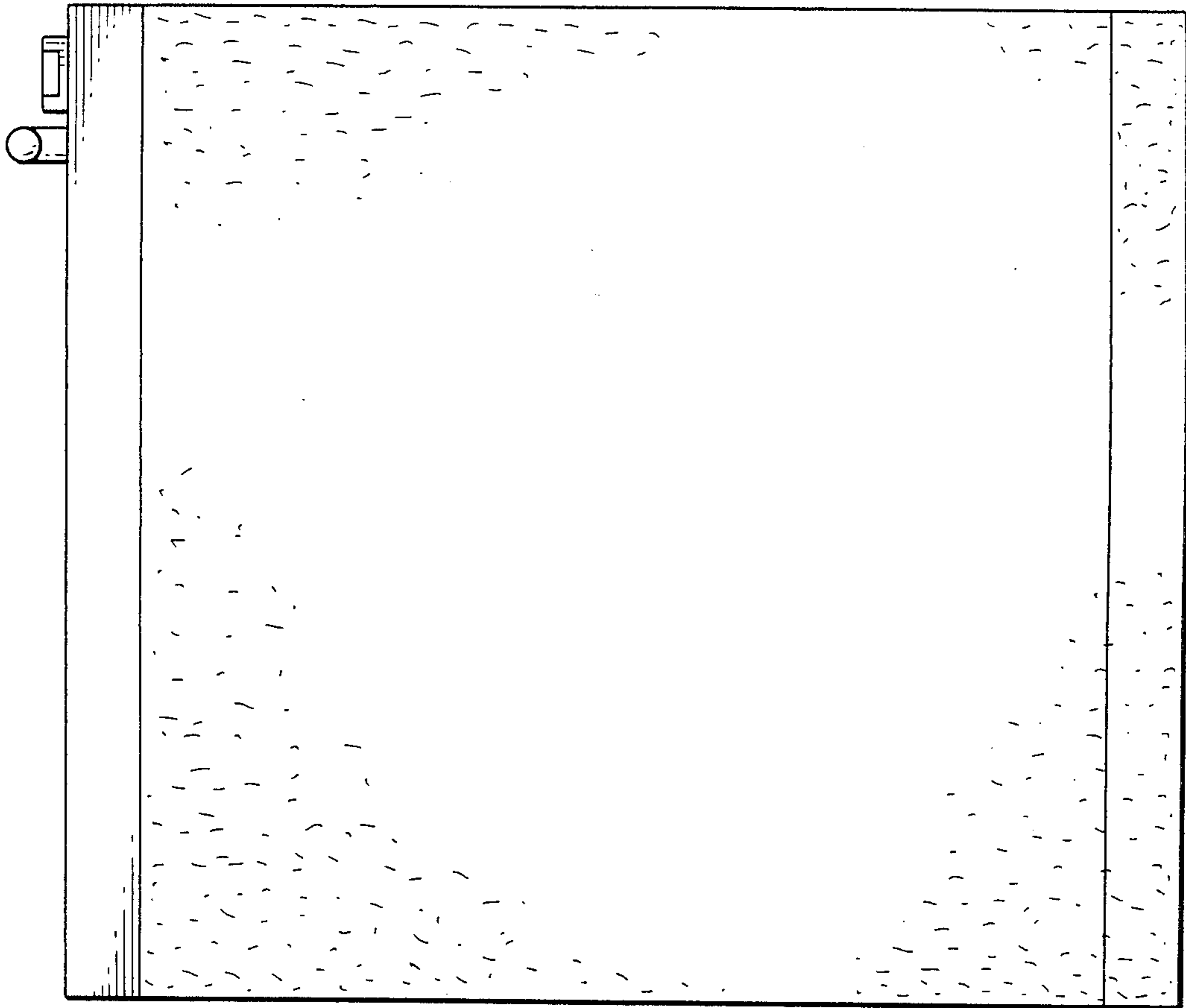


FIG.
.6.

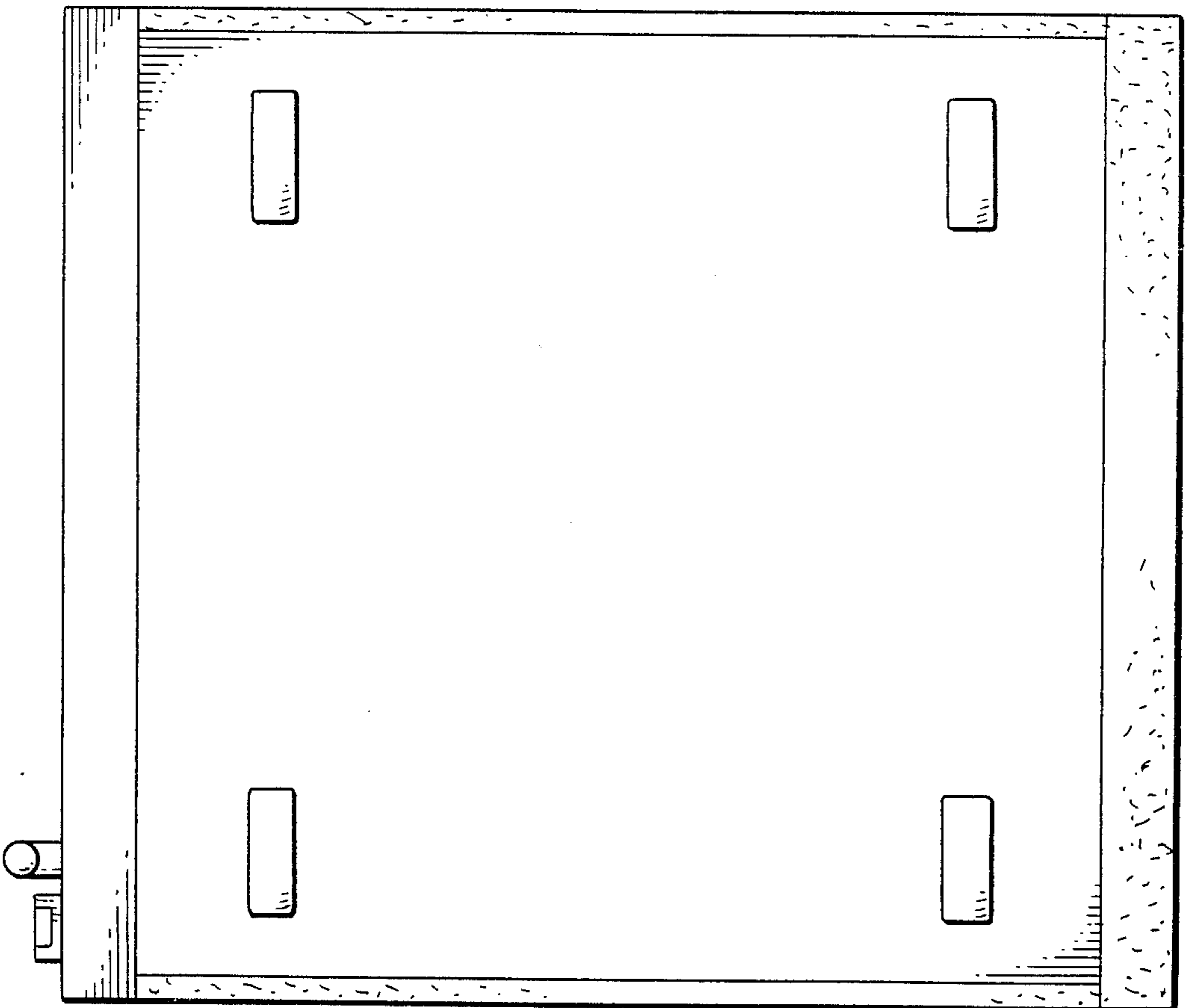


FIG.
.7.

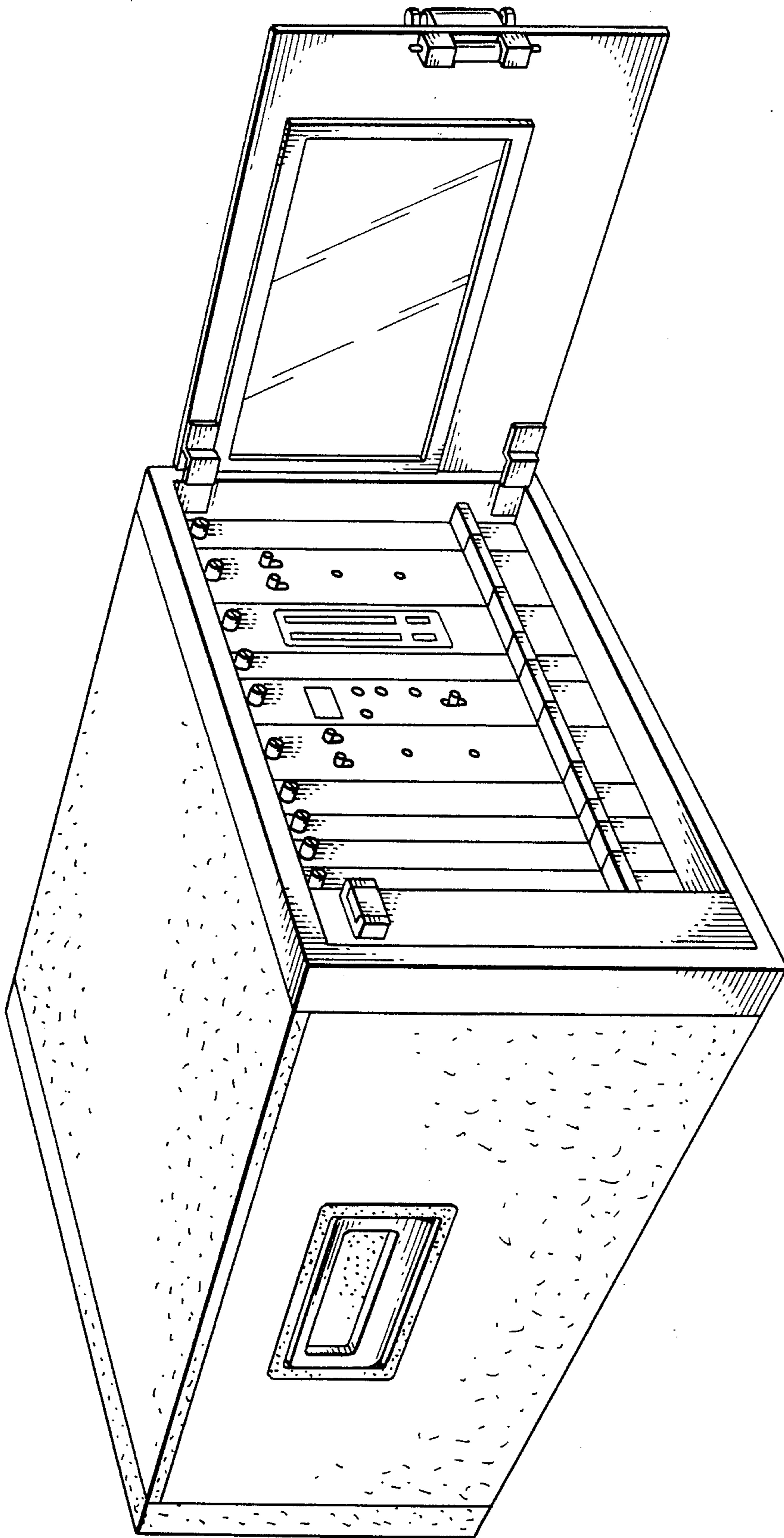


FIG. 8