

[54] IONIZATION CHAMBER FOR A SMOKE DETECTOR

[76] Inventor: Laurence Chen, 1116 Via Zumaya, Rancho Palos Verdes, Calif. 90274

[**] Term: 14 Years

[21] Appl. No.: 639,261

[22] Filed: Aug. 9, 1984

[52] U.S. Cl. D10/106

[58] Field of Search D10/104, 106, 121; 340/628, 629, 630, 693; 250/381-384

[56] References Cited

U.S. PATENT DOCUMENTS

D. 260,378	8/1981	Mallory	D10/121
D. 270,625	9/1983	Hiltenbrand	D10/121
3,863,076	1/1975	Steele et al.	340/630
3,900,795	8/1975	Larsen et al.	340/628

OTHER PUBLICATIONS

Alarm Supply Co., Inc., 1984, p. 147, Smoke Detectors #1769 AC-1, located in lower right corner.

Primary Examiner—B. J. Bullock

Assistant Examiner—Suzanne N. Gitlin

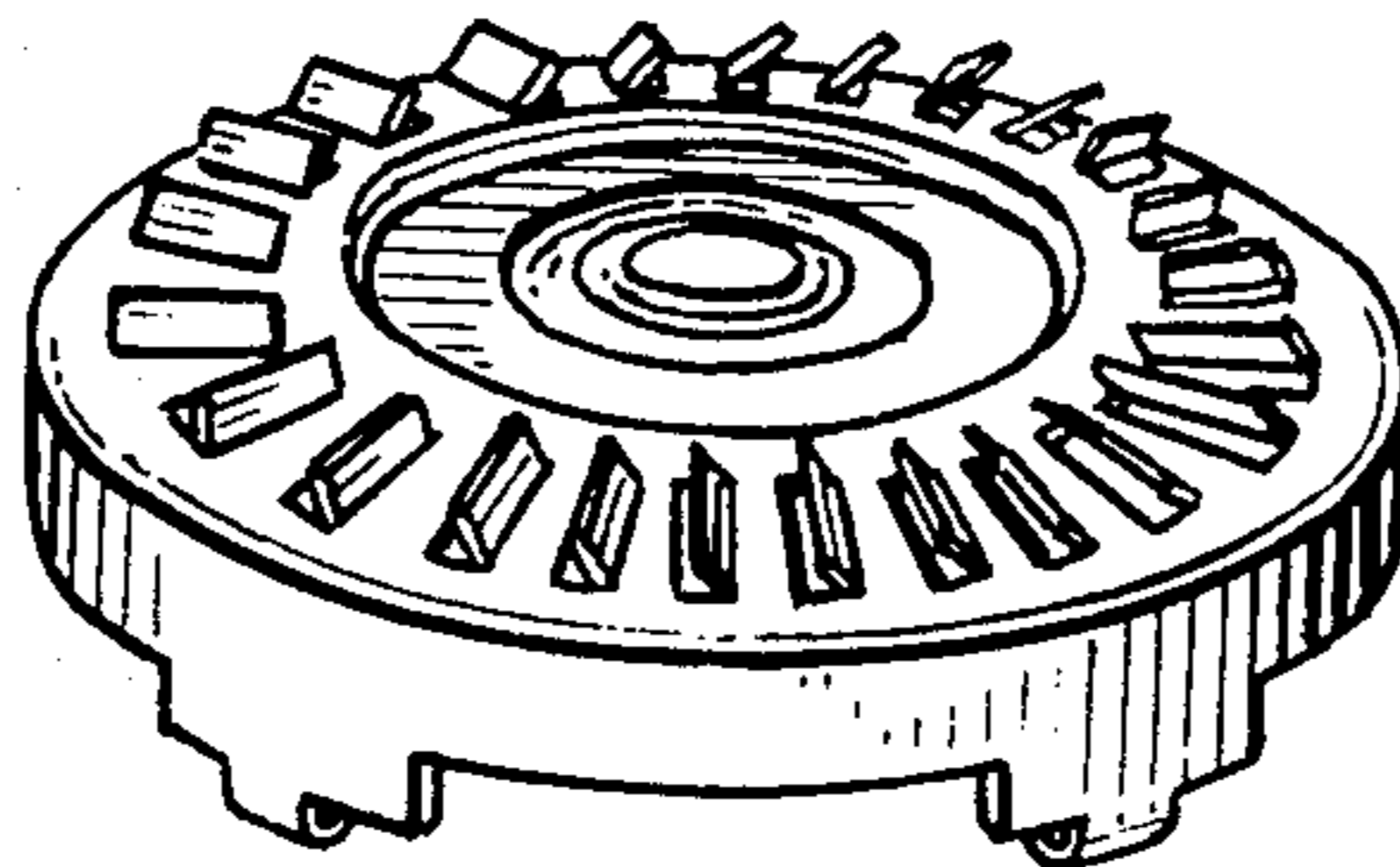
Attorney, Agent, or Firm—Knobbe, Martens, Olson & Bear

[57] CLAIM

The ornamental design for an ionization chamber for a smoke detector, as shown and described.

DESCRIPTION

FIG. 1 is a top perspective view of an ionization chamber for a smoke detector showing my new design; FIG. 2 is an enlarged top plan view thereof; FIG. 3 is an enlarged side elevational view taken in the direction of the arrows along line 3—3 of FIG. 2; FIG. 4 is an enlarged bottom plan view thereof; FIG. 5 is a bottom perspective view thereof.



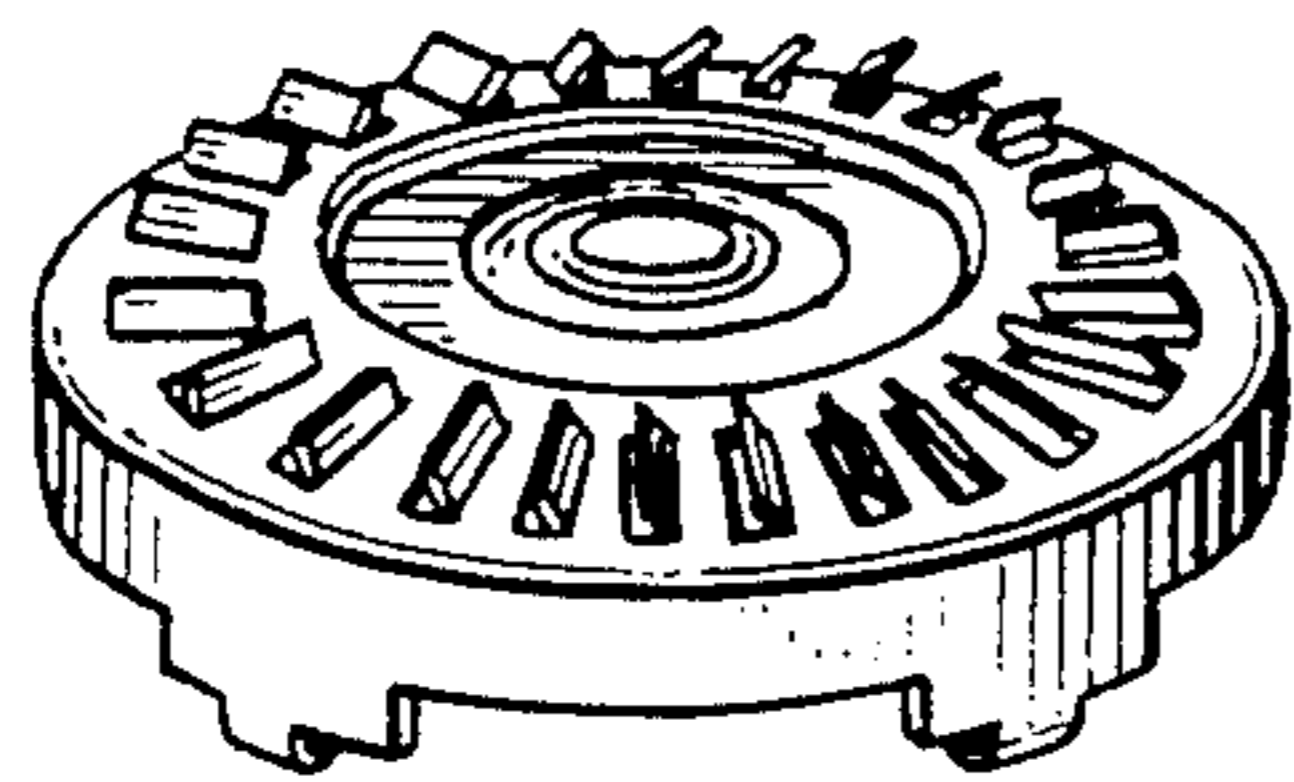


Fig. 1.

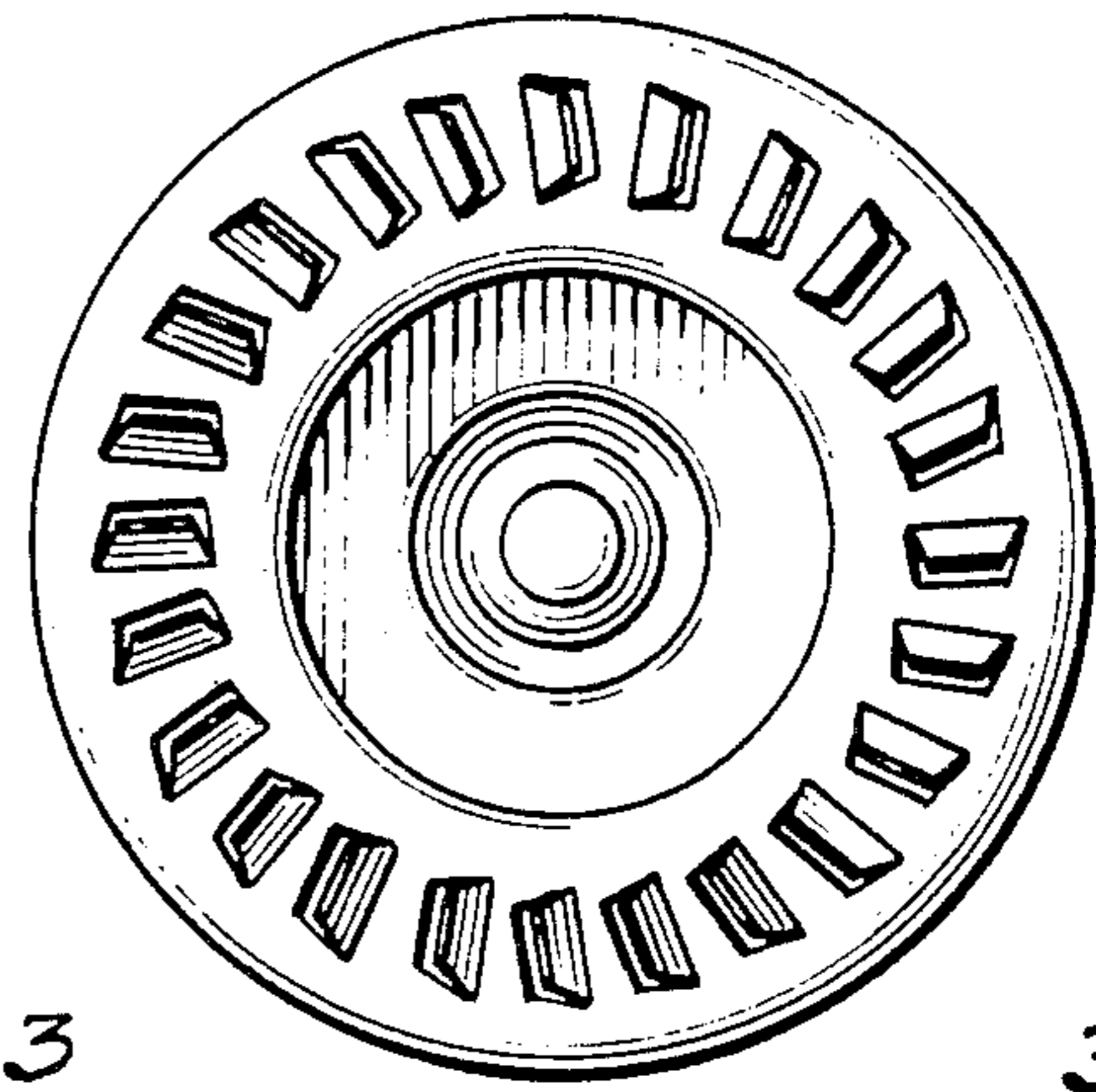


Fig. 2.

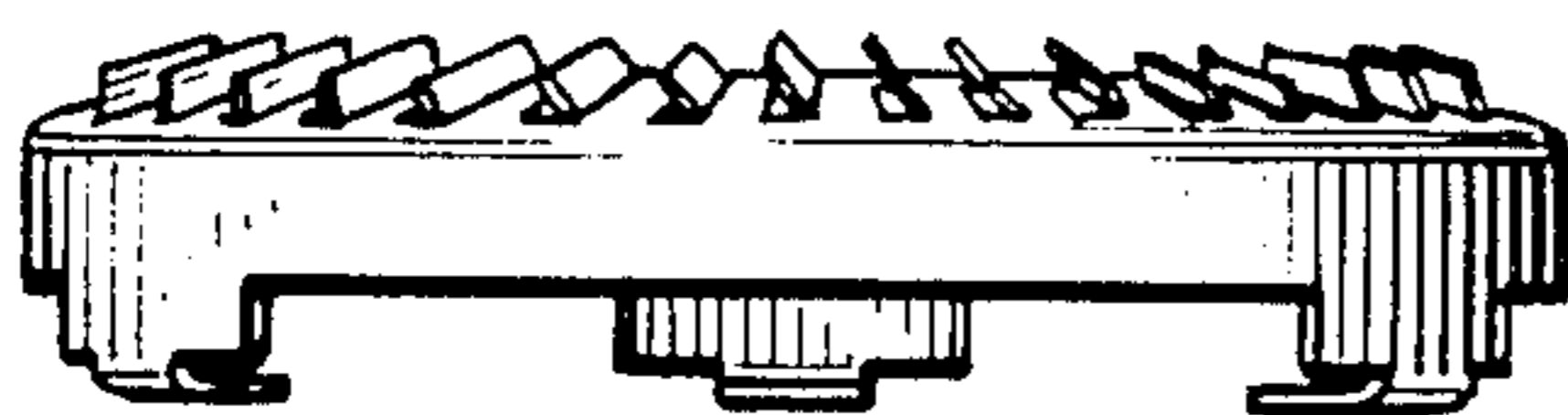


Fig. 3.

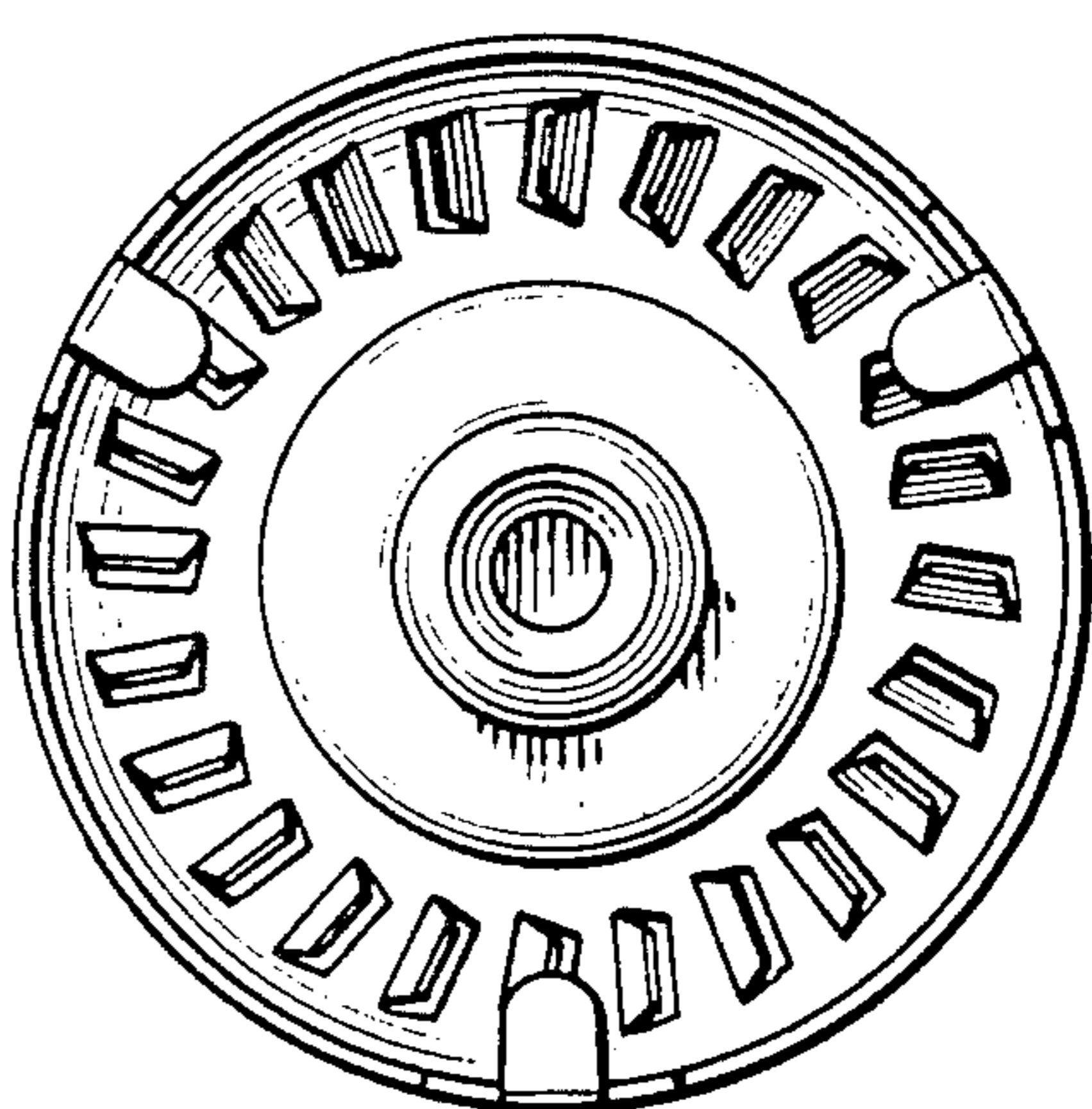


Fig. 5.

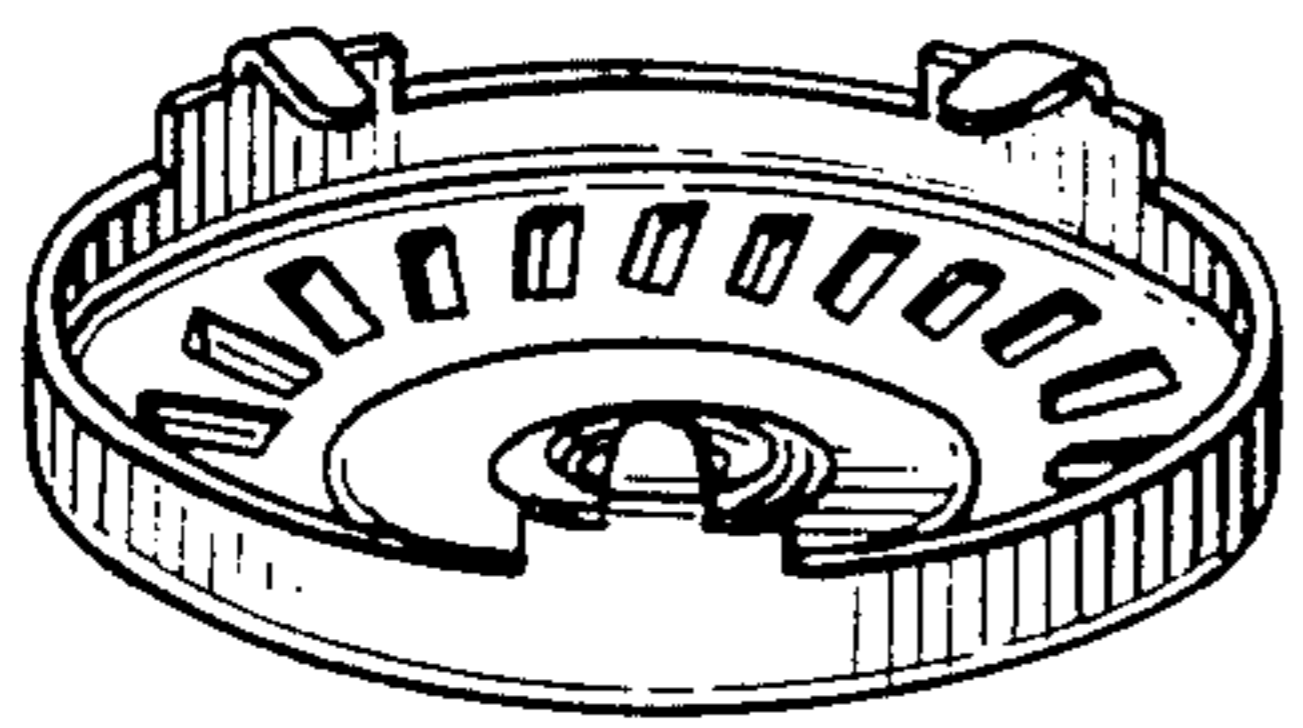


Fig. 4.

UNITED STATES PATENT AND TRADEMARK OFFICE
CERTIFICATE OF CORRECTION

PATENT NO. : DES 284,272
DATED : June 17, 1986
INVENTOR(S) : Laurence Chen

Page 1 of 3

It is certified that error appears in the above-identified patent and that said Letters Patent is hereby corrected as shown below:

The Title Page, should be deleted to appear as per attached Title Page.
Figures 1-5 should be deleted to appear as per attached Figures.

Signed and Sealed this
Twenty-sixth Day of July, 1988

Attest:

DONALD J. QUIGG

Attesting Officer

Commissioner of Patents and Trademarks

United States Patent [19]
Chen

[11] **Patent Number: Des. 284,272**
[45] **Date of Patent: ** Jun. 17, 1986**

[54] **IONIZATION CHAMBER FOR A SMOKE DETECTOR**

[76] **Inventor: Laurence Chen, 1116 Via Zumaya, Rancho Palos Verdes, Calif. 90274**

[**] **Term: 14 Years**

[21] **Appl. No.: 639,261**

[22] **Filed: Aug. 9, 1984**

[52] **U.S. Cl. D10/106**

[58] **Field of Search D10/104, 106, 121; 340/628, 629, 630, 693; 250/381-384**

[56] **References Cited**

U.S. PATENT DOCUMENTS

- D. 260,378 8/1981 Mallory D10/121
- D. 270,625 9/1983 Hiltenbrand D10/121
- 3,863,076 1/1975 Steele et al. 340/630
- 3,900,795 8/1975 Larsen et al. 340/628

OTHER PUBLICATIONS

Alarm Supply Co., Inc., 1984, p. 147, Smoke Detectors #1769 AC-1, located in lower right corner.

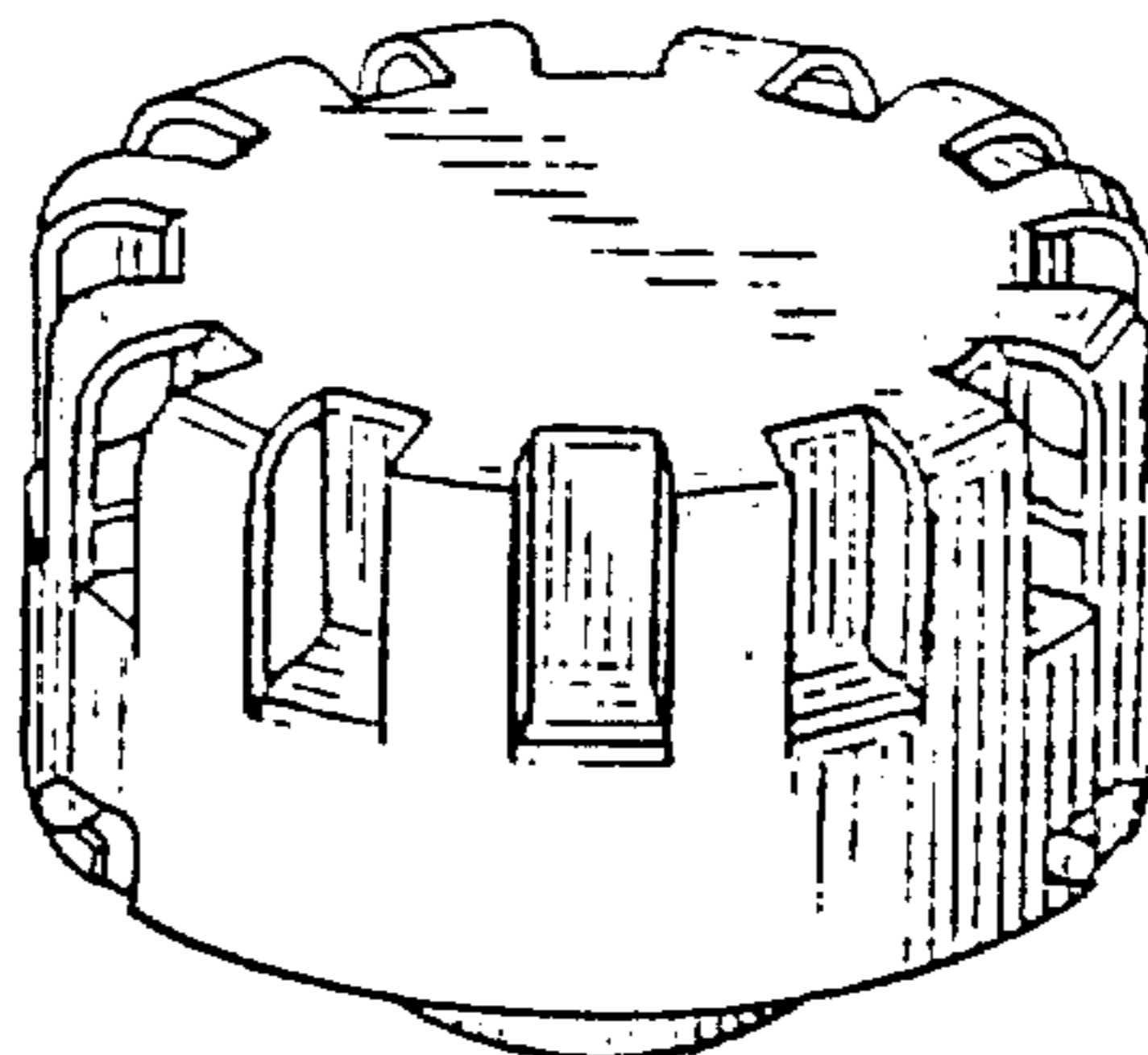
Primary Examiner—B. J. Bullock
Assistant Examiner—Suzanne N. Gitlin
Attorney, Agent, or Firm—Knobbe, Martens, Olson & Bear

[57] **CLAIM**

The ornamental design for an ionization chamber for a smoke detector, as shown and described.

DESCRIPTION

FIG. 1 is a top perspective view of an ionization chamber for a smoke detector showing my new design; FIG. 2 is an enlarged top plan view thereof; FIG. 3 is an enlarged side elevational view taken in the direction of the arrows along line 3—3 of FIG. 2; FIG. 4 is an enlarged bottom plan view thereof; FIG. 5 is a bottom perspective view thereof.



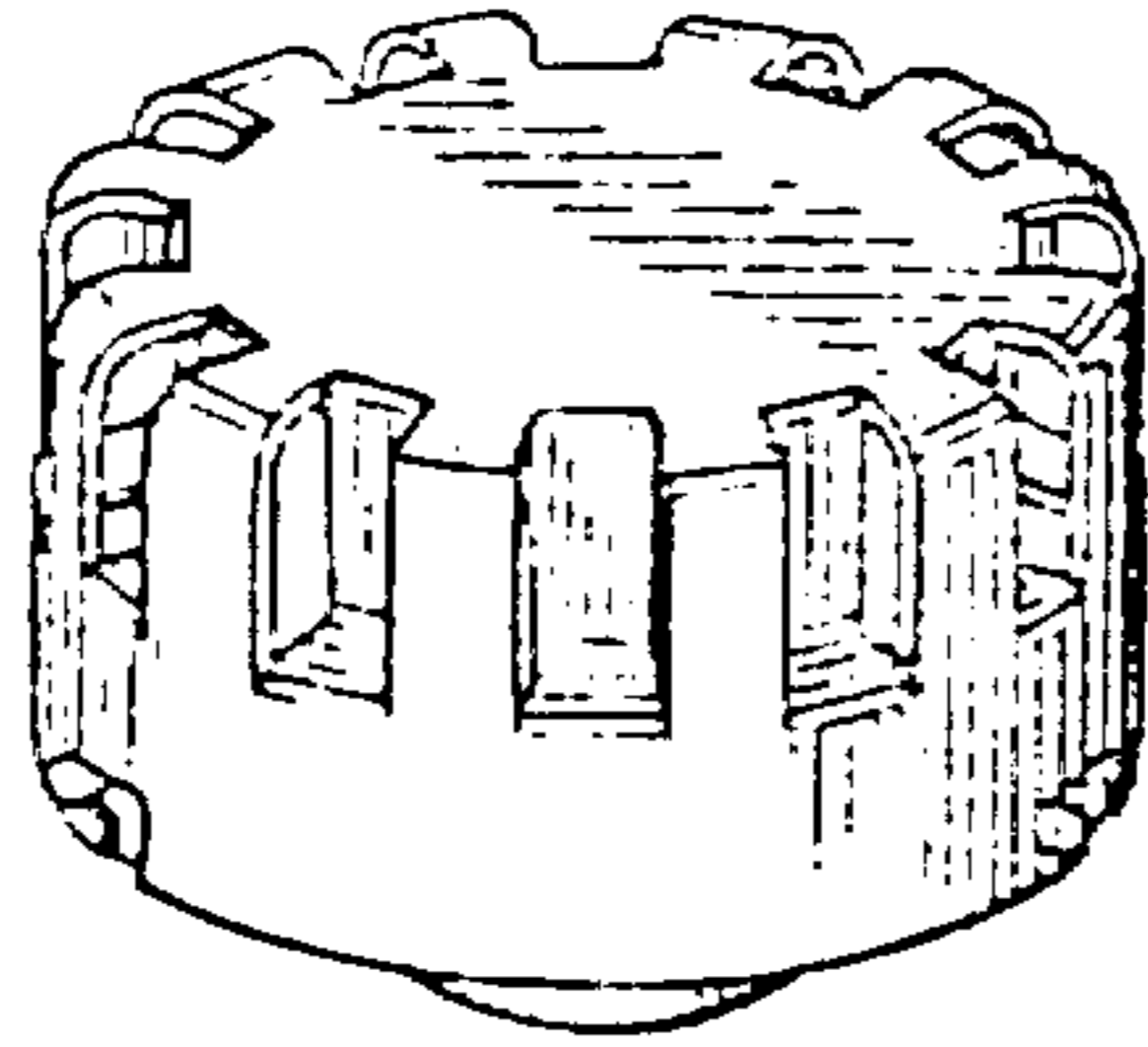


Fig. 1.

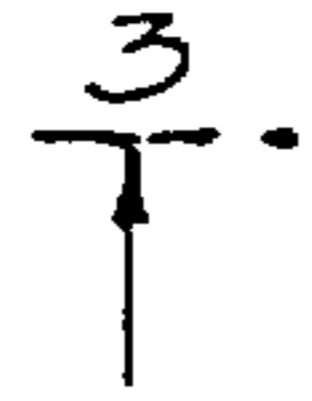
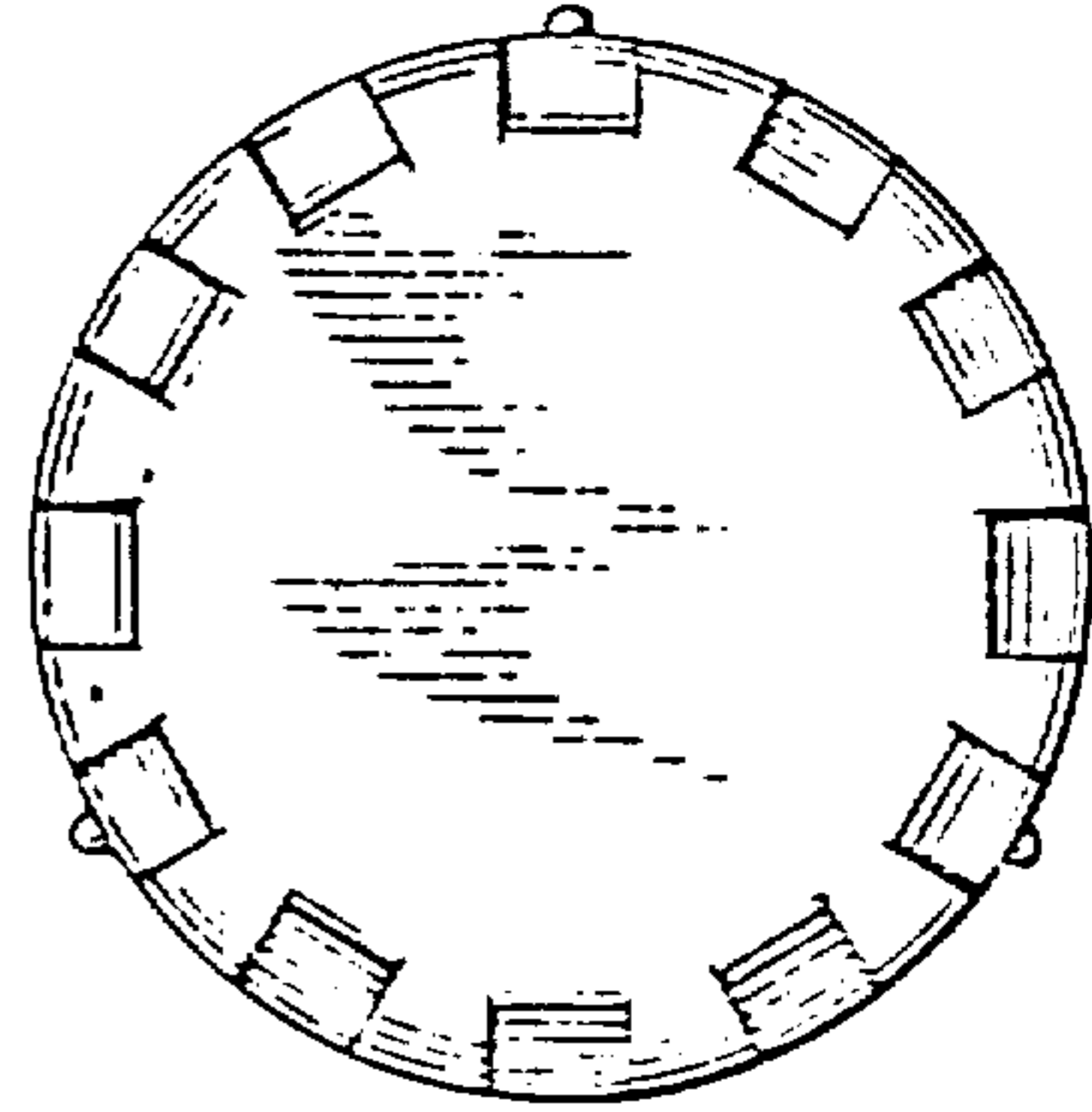


Fig. 2.

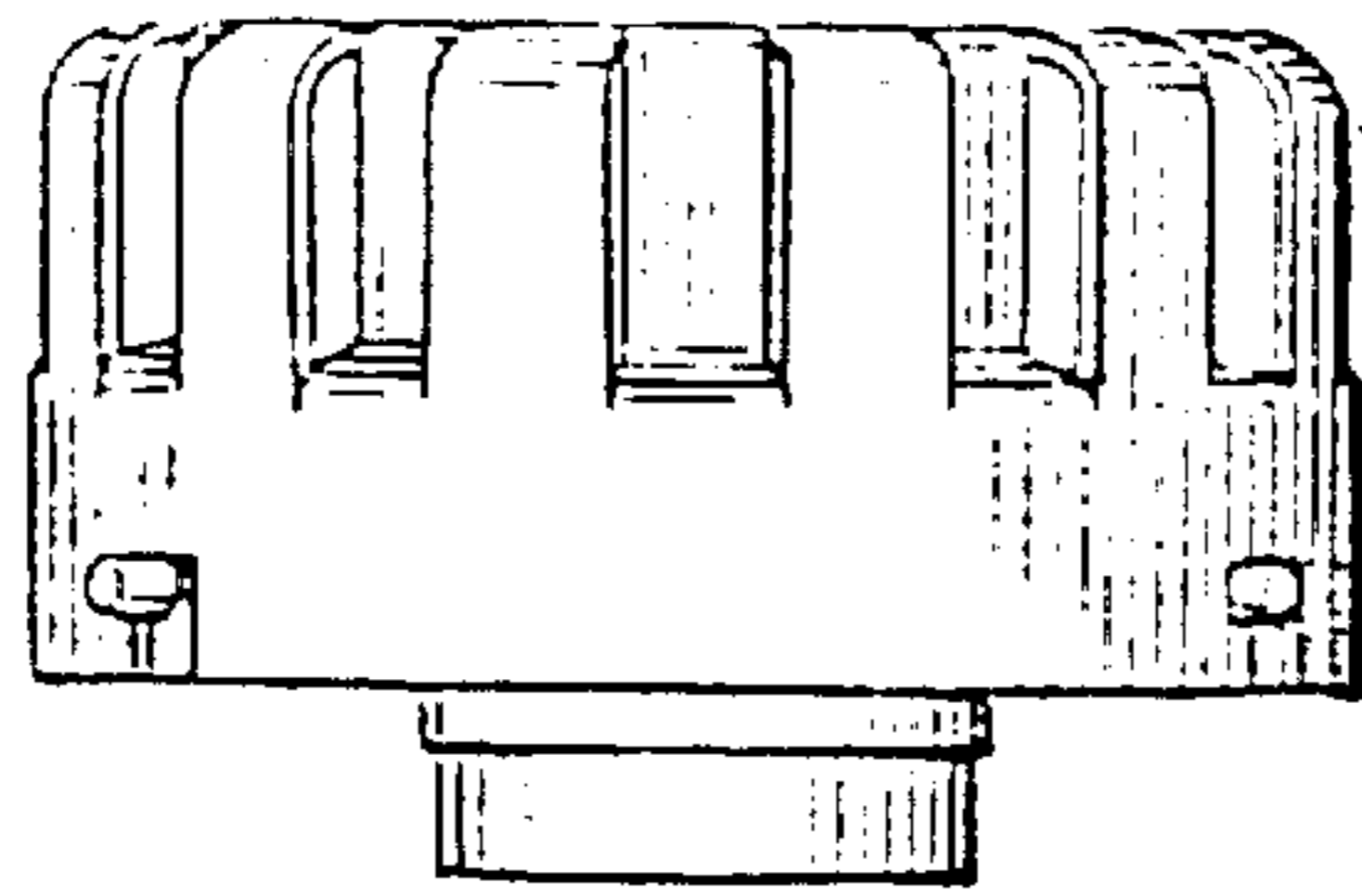


Fig. 3.

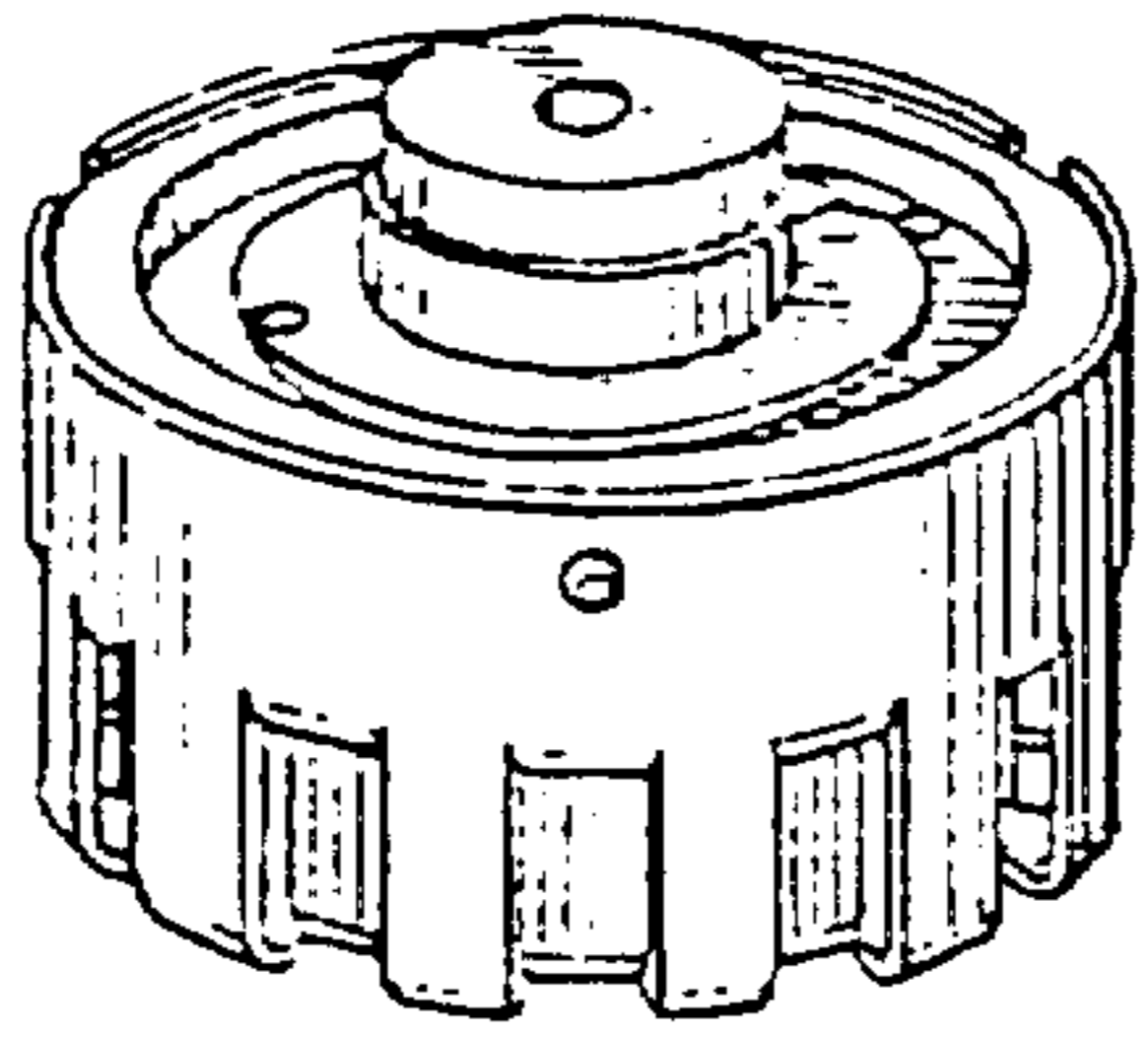


Fig. 5.

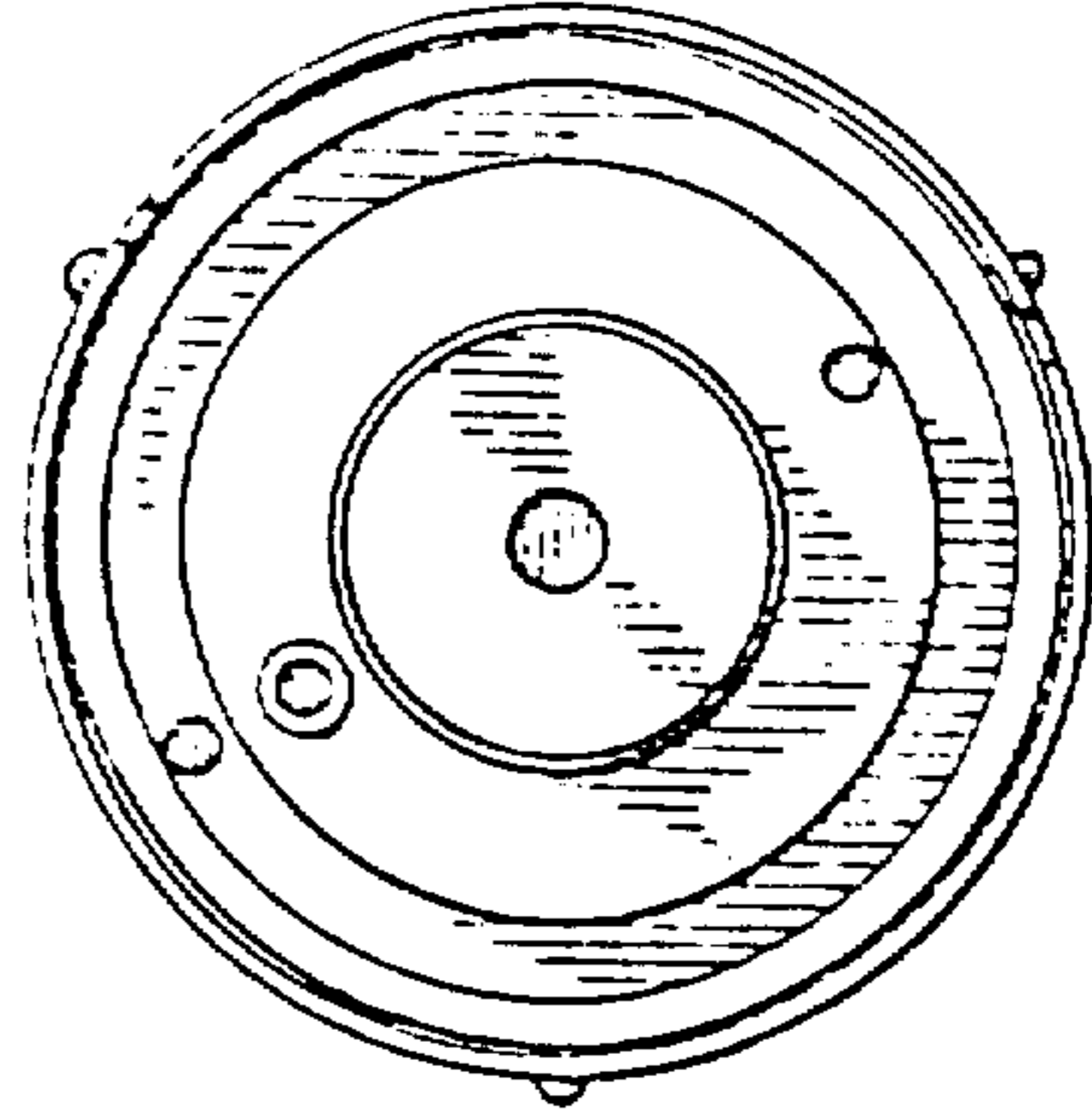


Fig. 4.