

[54] COMBINED CLOCK AND THERMOMETER

[76] Inventor: Walter Henkels, Holunderweg 1,
D-5142 Hüchelhoven, Fed. Rep. of
Germany

[**] Term: 14 Years

[21] Appl. No.: 602,523

[22] Filed: Apr. 20, 1984

[30] Foreign Application Priority Data

Jan. 10, 1984 [DE] Fed. Rep. of Germany MR 148

[52] U.S. Cl. D10/4; D10/53

[58] Field of Search D10/4, 53; 368/10, 11

[56] References Cited

U.S. PATENT DOCUMENTS

D. 126,368 4/1941 MacCowan D10/4 X

D. 157,103 1/1950 Teague D10/53
D. 160,032 9/1950 Teague D10/53
D. 266,907 11/1982 Salen D10/6
D. 280,184 8/1985 Henkels D10/58

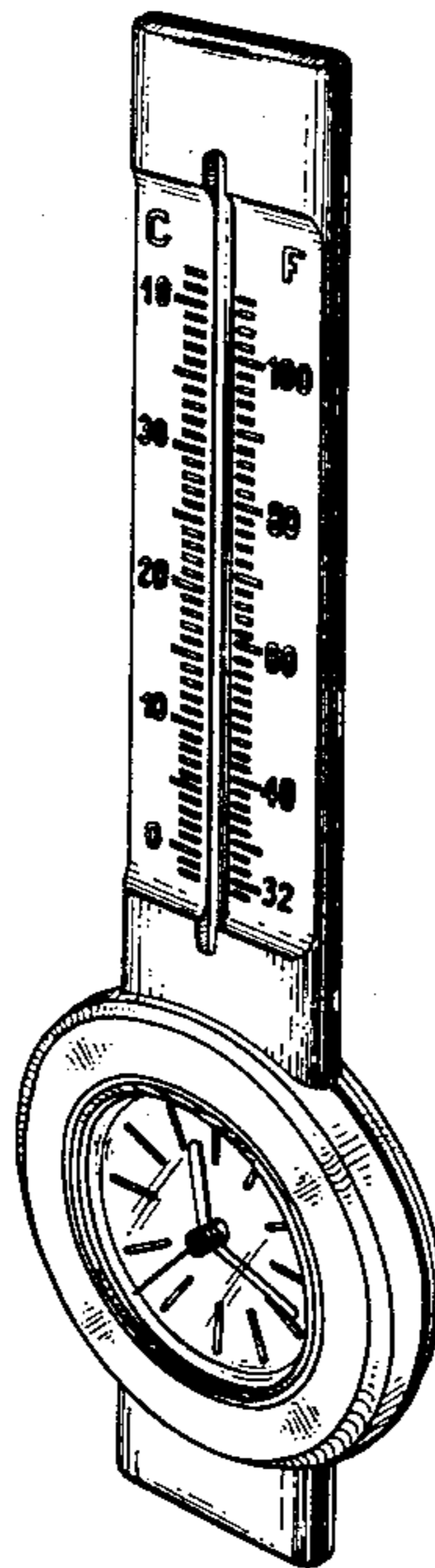
Primary Examiner—Nelson C. Holtje
Attorney, Agent, or Firm—Diller, Ramik & Wight

[57] CLAIM

The ornamental design for a combined clock and thermometer, substantially as shown and described.

DESCRIPTION

FIG. 1 is a right front perspective view of a combined clock and thermometer showing my new design;
FIG. 2 is a front elevational view thereof;
FIG. 3 is a left side elevational view thereof;
FIG. 4 is a rear elevational view thereof;
FIG. 5 is a right side elevational view thereof;
FIG. 6 is a top plan view thereof, and
FIG. 7 is a bottom plan view thereof.



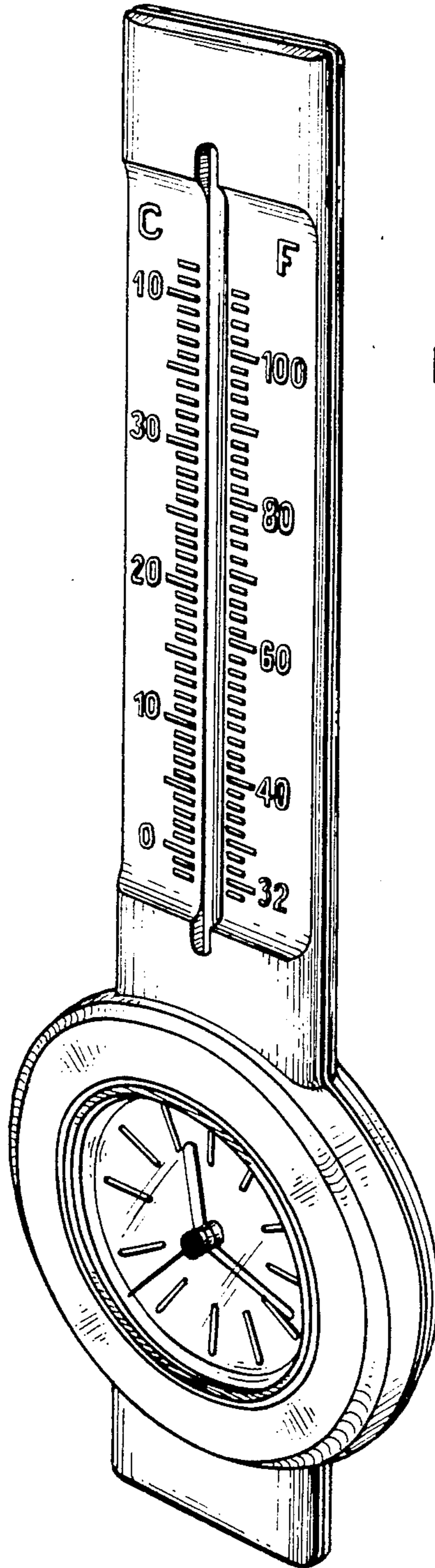


FIG. 1

FIG.2

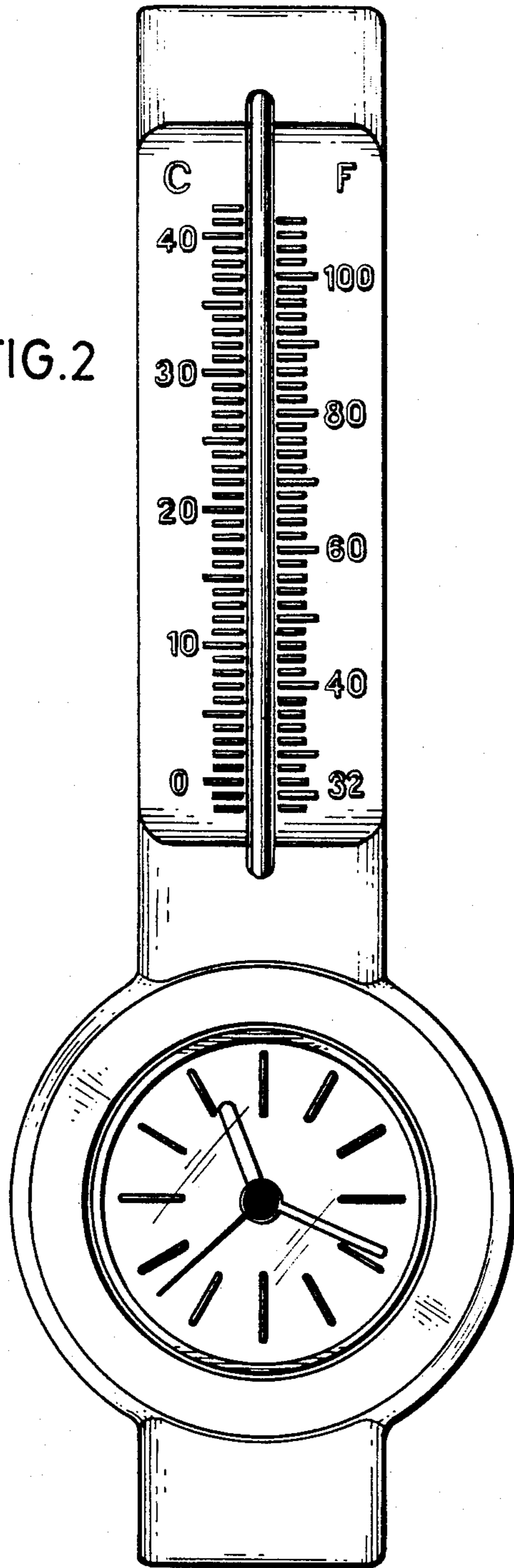


FIG.3

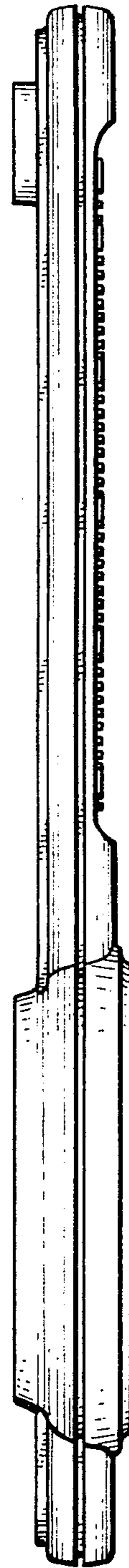


FIG. 4

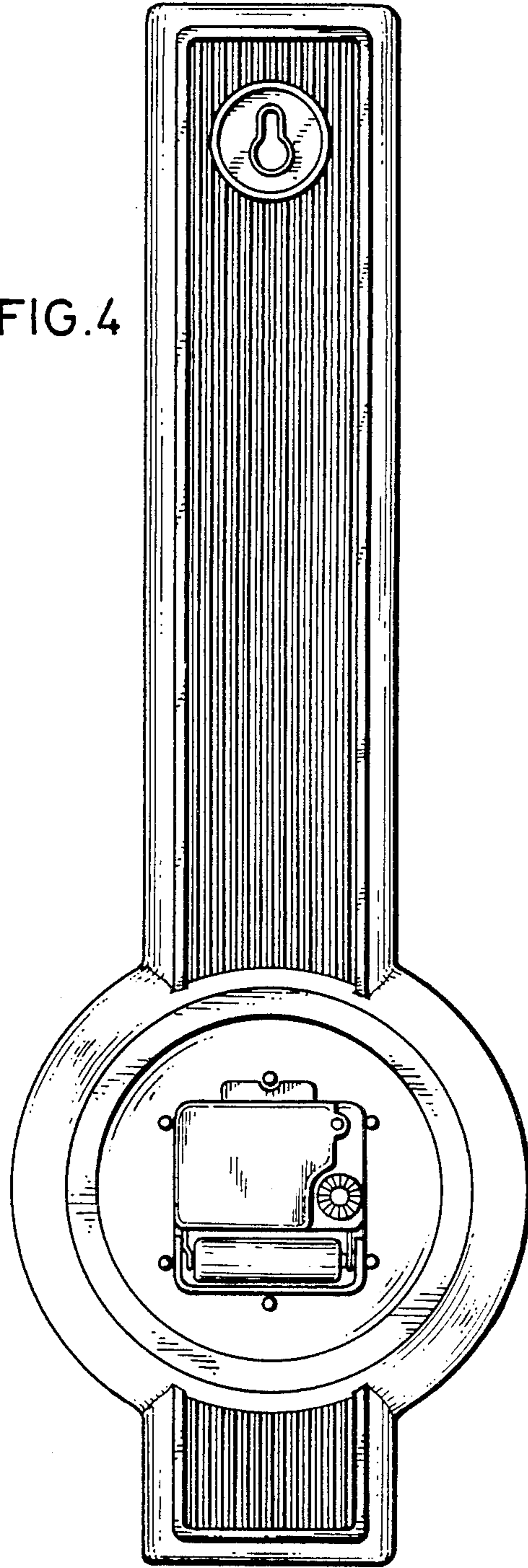
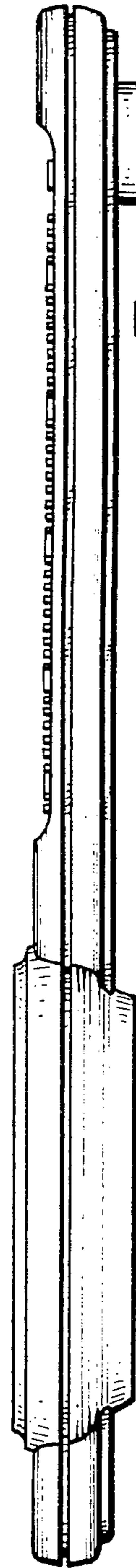


FIG. 5



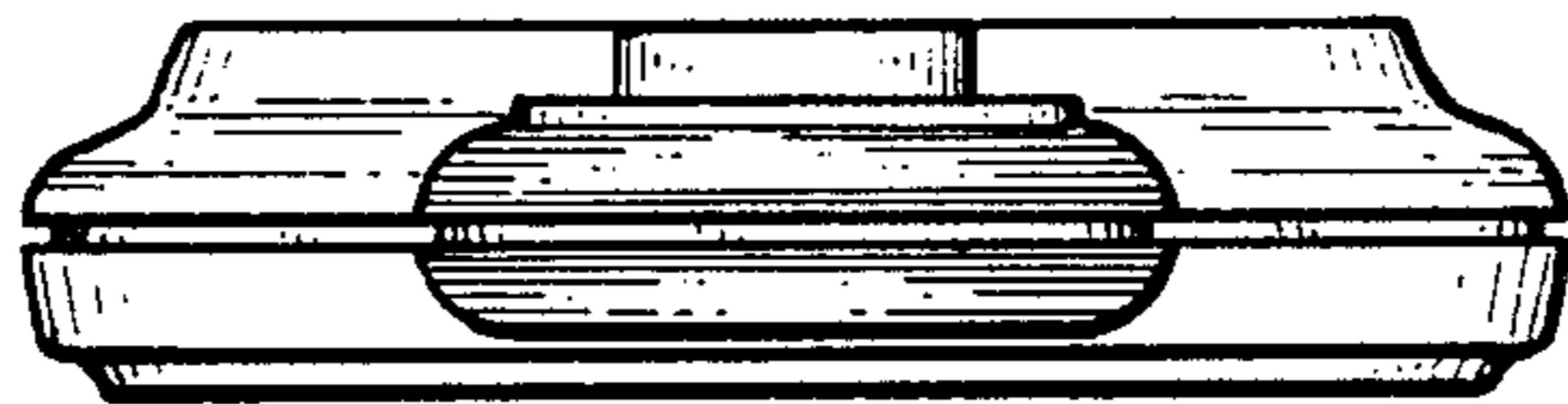


FIG. 6

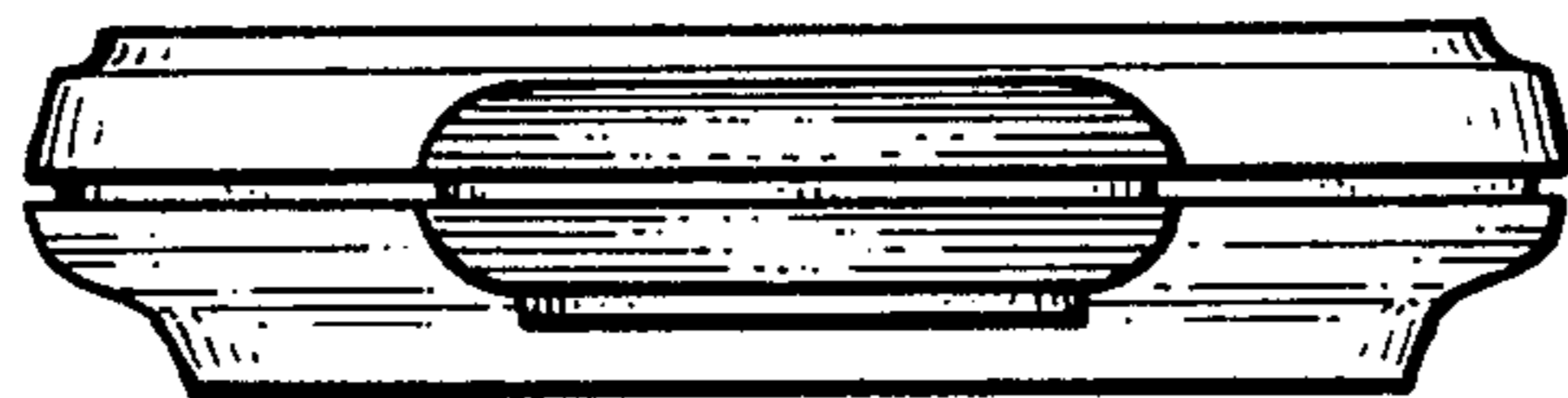


FIG. 7