

[54] TOP CAP FOR CONTAINERS

[76] Inventor: Woodrow W. Pearce, 1601 Pueblo St., Glendale, Calif. 91207

[\*\*] Term: 14 Years

[21] Appl. No.: 566,225

[22] Filed: Dec. 28, 1983

[52] U.S. Cl. .... D9/454

[58] Field of Search ..... D9/454, 434, 435, 452, D9/352, 413, 449; 215/216, 256, 258, 329; 220/352

[56] References Cited

U.S. PATENT DOCUMENTS

D. 24,383	6/1895	Stadelman	.....	D9/413
D. 33,214	9/1900	Rheinauer	.....	D9/413
D. 127,479	5/1941	Buckingham	.....	D9/352
664,053	12/1900	Lockhart et al.	.....	215/258
759,168	5/1904	Fenn	.....	215/329

1,427,694	8/1922	Montgomery	.....	215/329 X
2,717,619	9/1955	Whitman	.....	D9/352 X
2,886,203	5/1959	Goll	.....	220/352

OTHER PUBLICATIONS

*Drug and Cosmetic Industry* Jun. 81, p. 64, Ringed Dome Articulated Molding, (upper right of page).

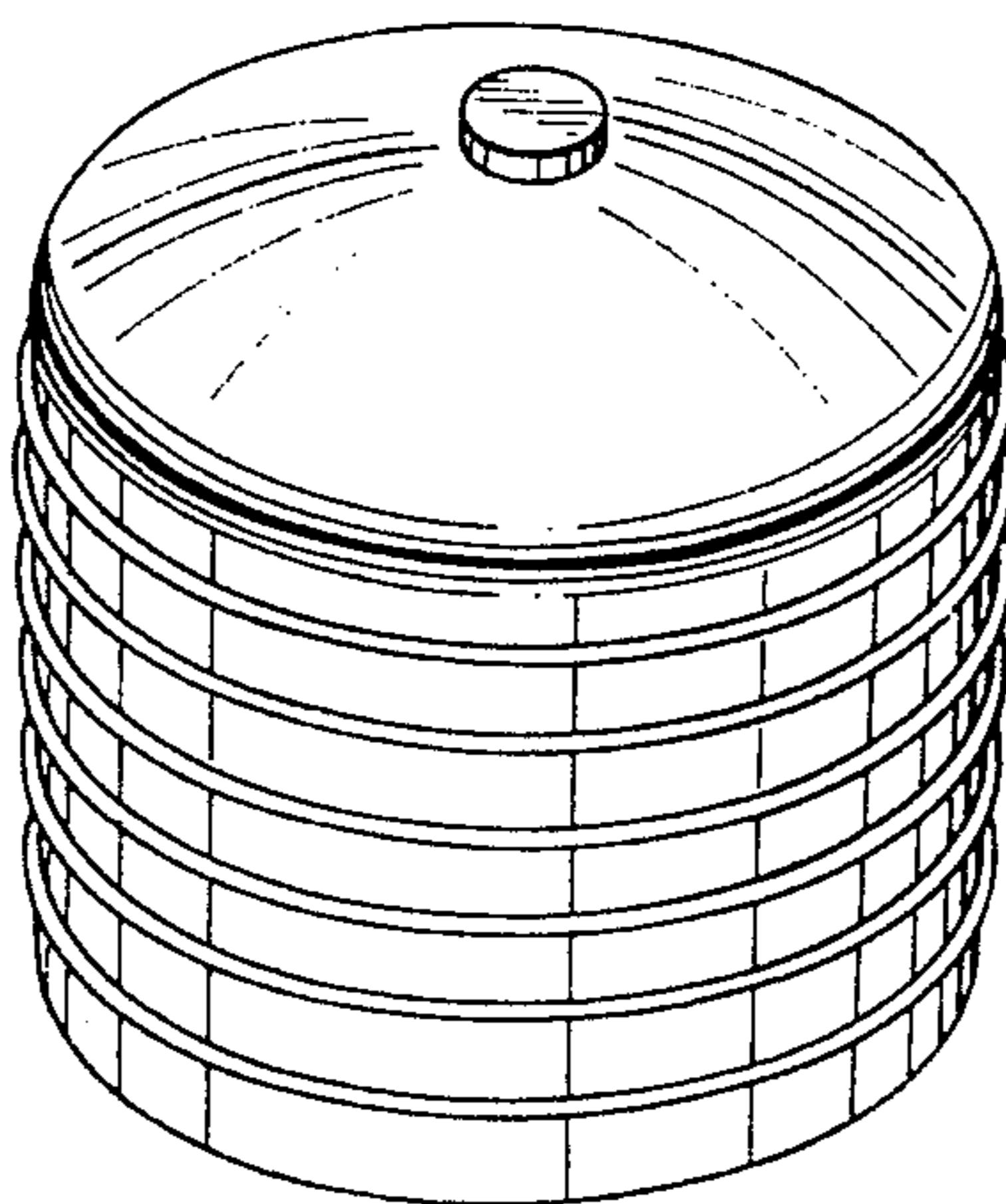
*Primary Examiner*—Bernard Ansher  
*Assistant Examiner*—Linda Titolo  
*Attorney, Agent, or Firm*—Evanns & Walsh

[57] CLAIM

The ornamental design for a top cap for containers, substantially as shown and described.

DESCRIPTION

FIG. 1 is a top perspective view of a top cap for a container showing my new design;  
FIG. 2 is a side elevational view thereof;  
FIG. 3 is a bottom perspective view thereof; and  
FIG. 4 is a bottom plan view thereof.



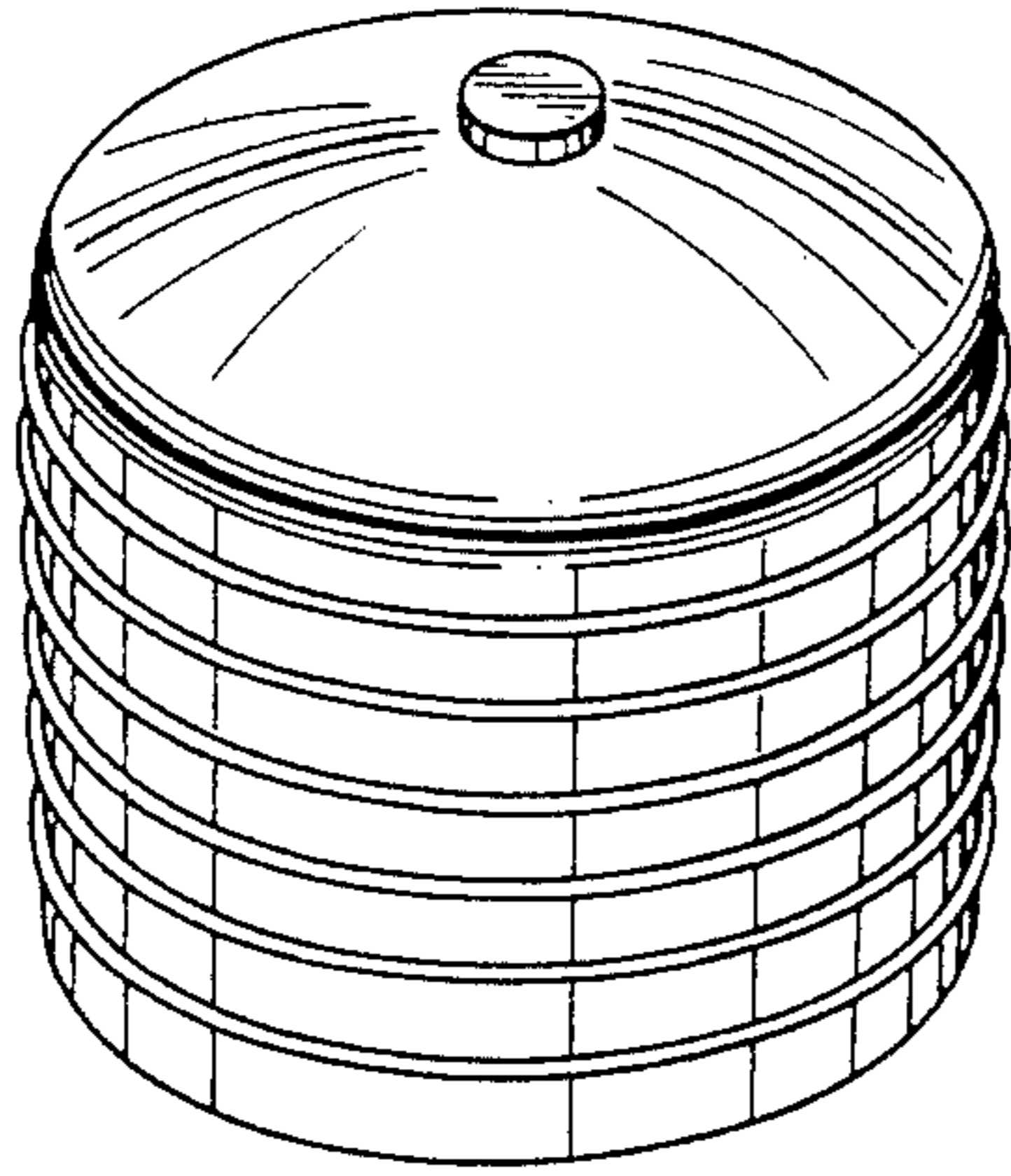


FIG. 1

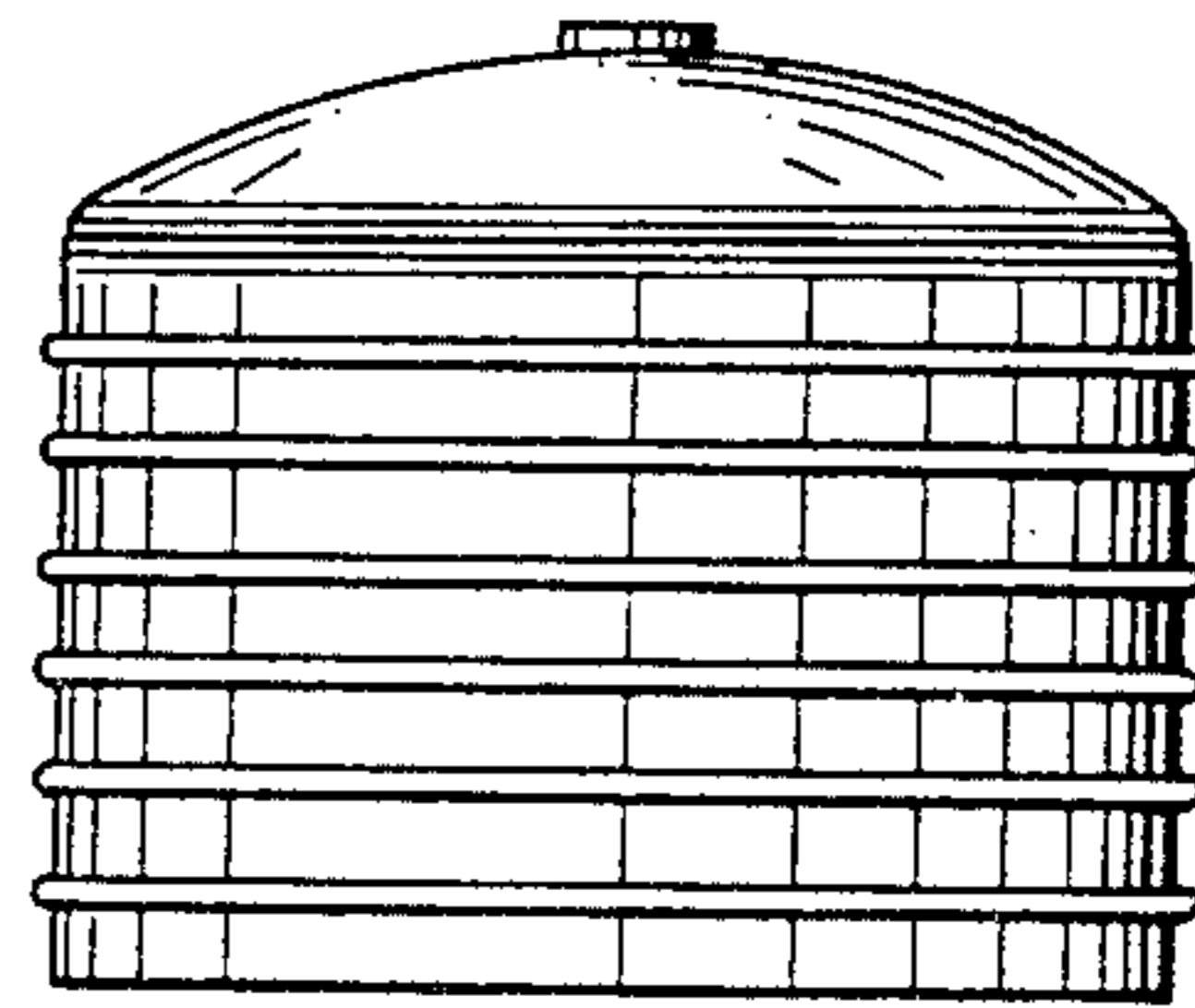


FIG. 2

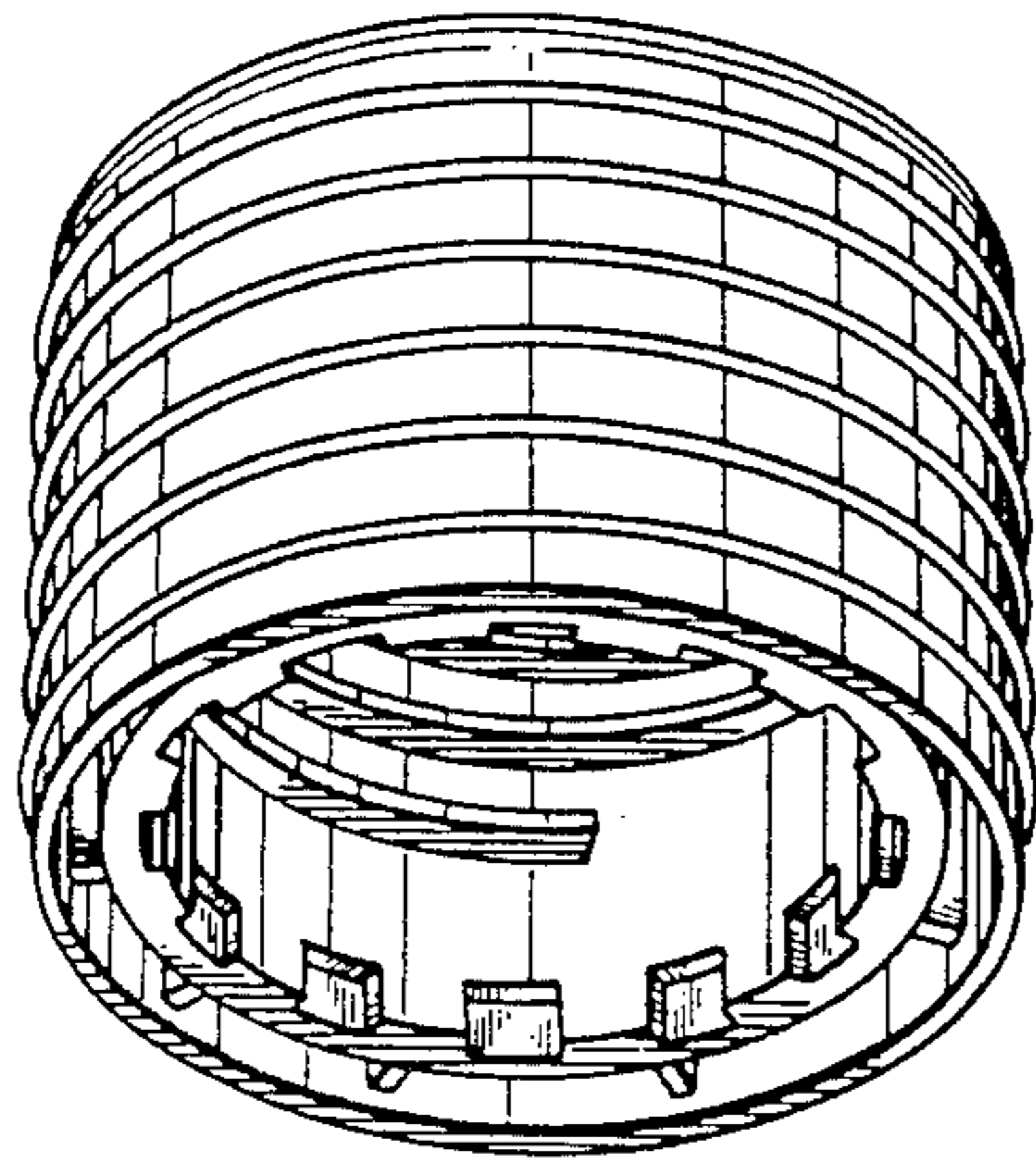


FIG. 3

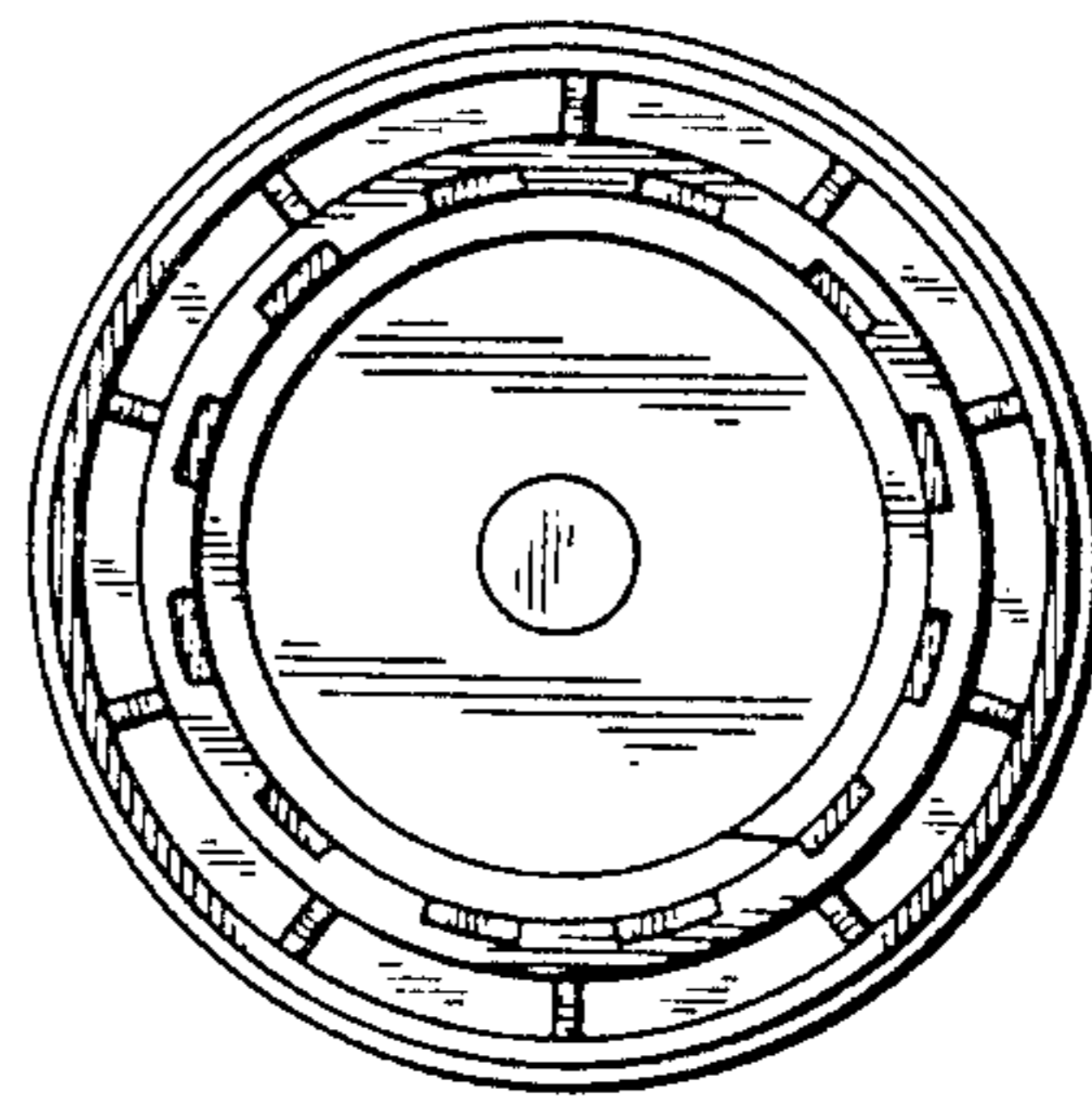


FIG. 4