

[54] SCREWABLE CAP FOR A  
NON-PENETRATING FASTENER  
ASSEMBLY

[75] Inventor: Stevan A. Resan, Carlisle, Pa.

[73] Assignee: Carlisle Corporation, Cincinnati,  
Ohio

[\*\*] Term: 14 Years

[21] Appl. No.: 635,545

[22] Filed: Jul. 30, 1984

[52] U.S. Cl. .... D8/382; D8/312;  
D8/499; D23/41

[58] Field of Search ..... D8/382, 499, 310, 312;  
D9/453, 454; D2/449; D23/28, 30, 31, 41;  
D7/40, 393; 52/222, 410, 713, 747; 16/118, 121;  
24/113 R, 113 MP, 90 C; 220/288; 215/217,  
332, 337, 340

[56] References Cited

U.S. PATENT DOCUMENTS

D. 205,338	7/1966	Kilbourn .....	D23/41
D. 233,507	11/1974	Stevens .....	D8/312
3,918,233	11/1975	Simpson .....	52/747
4,290,466	9/1981	Villa et al. ....	220/288
4,361,997	12/1982	DeCaro .....	52/410
4,455,804	6/1984	Francovitch .....	52/410
4,519,175	5/1985	Resan .....	52/713

Primary Examiner—B. J. Bullock

Attorney, Agent, or Firm—Wood, Herron & Evans

[57] CLAIM

The ornamental design for a screwable cap for a non-penetrating fastener assembly, as shown.

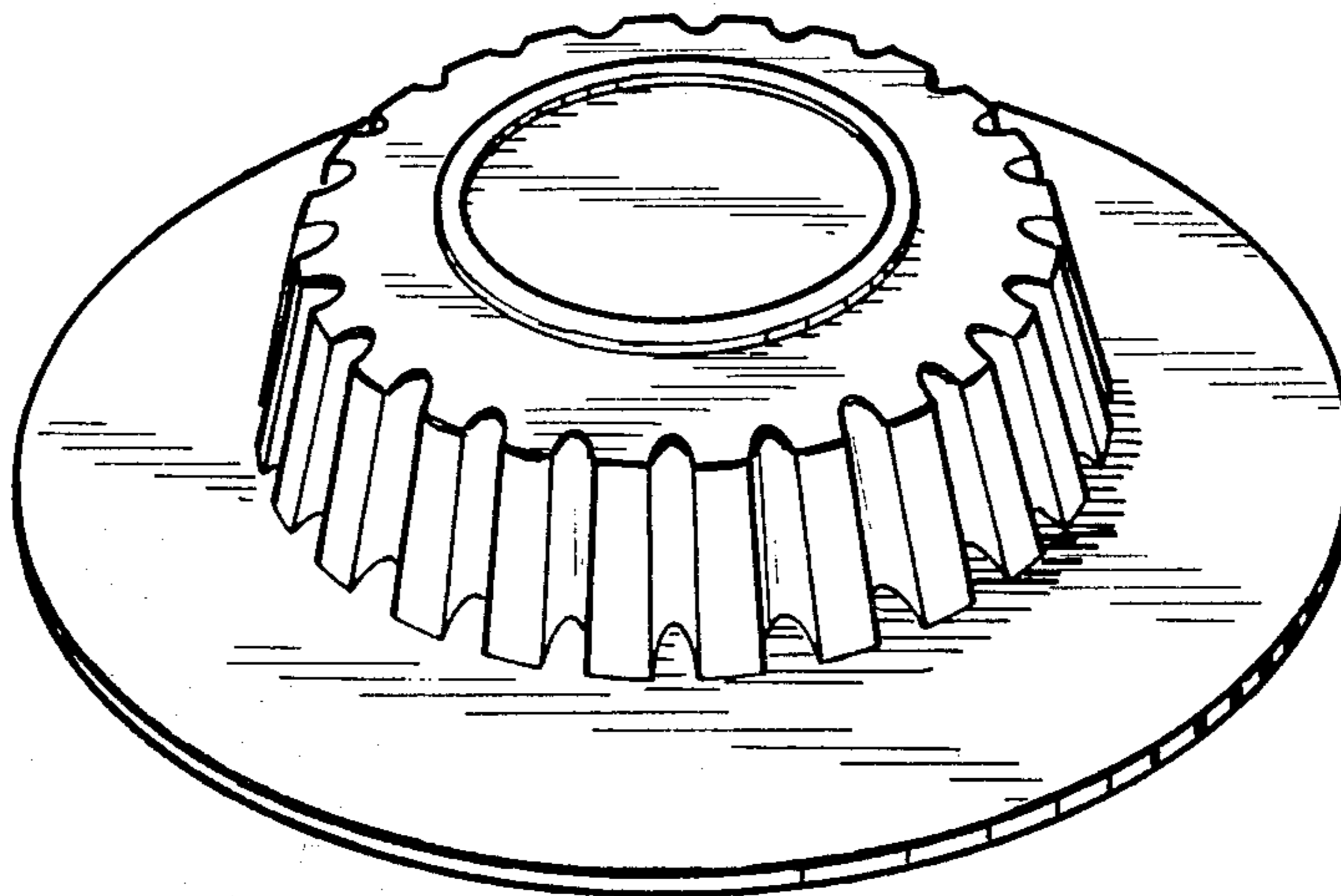
DESCRIPTION

FIG. 1 is a perspective view of a screwable cap for a non-penetrating fastener assembly showing my new design;

FIG. 2 is a top plan view thereof;

FIG. 3 is a front elevational view thereof, with the rear and left and right side elevational views being identical; and

FIG. 4 is a bottom plan view thereof.



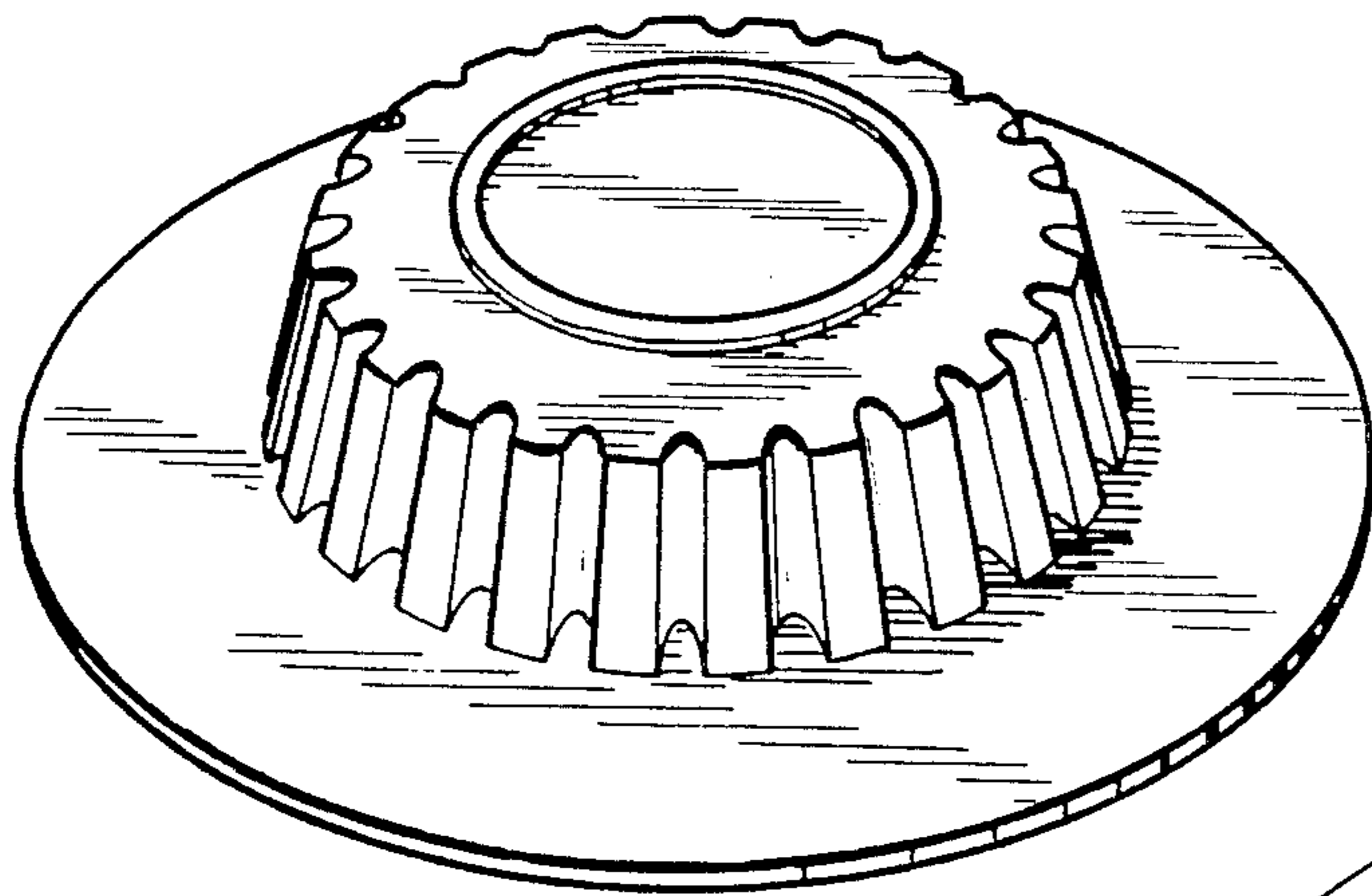


FIG. 1

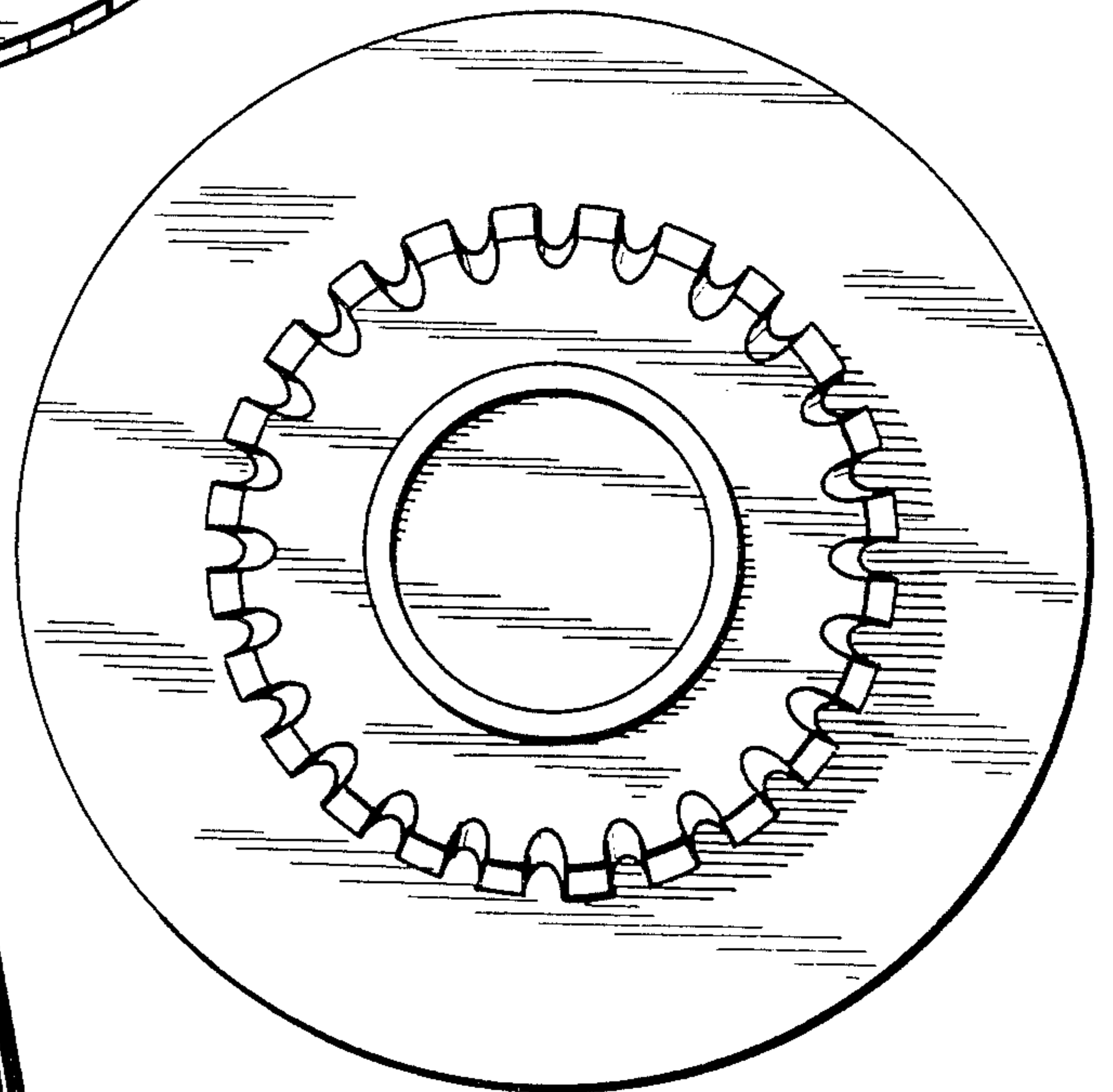


FIG. 2

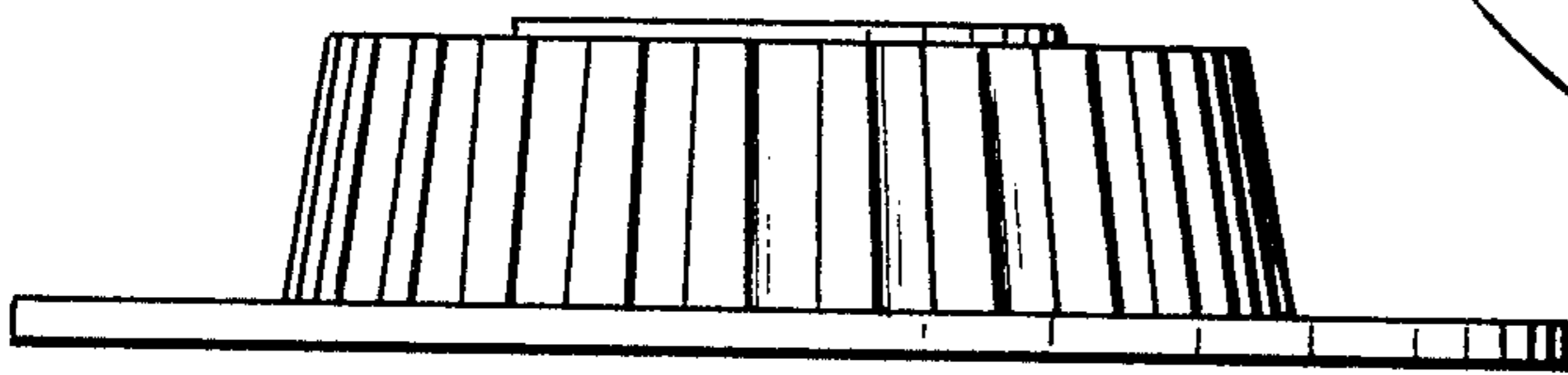


FIG. 3

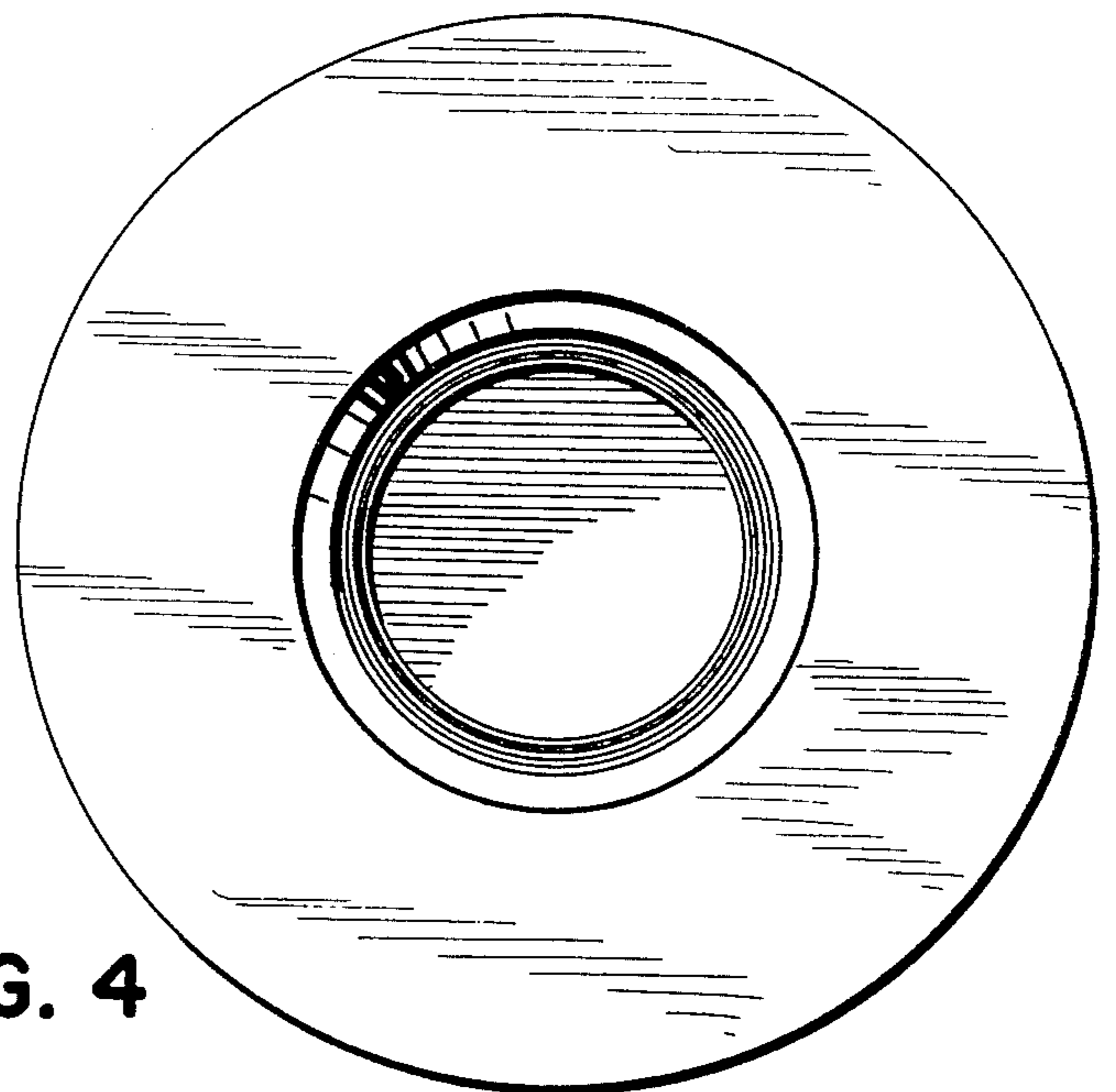


FIG. 4