

[54] SWITCH CASE BEZEL

[75] Inventor: Richard W. Sorenson, Avon, Conn.

[73] Assignee: Carlingswitch, Inc., West Hartford, Conn.

[**] Term: 14 Years

[21] Appl. No.: 458,670

[22] Filed: Jan. 17, 1983

[52] U.S. Cl. D8/353

[58] Field of Search D8/350, 353; D13/32, D13/37, 38; 174/66

[56] References Cited

U.S. PATENT DOCUMENTS

D. 173,628	7/1954	Schlage	D8/353
D. 185,005	4/1959	Kubota	D8/353
D. 200,408	2/1965	Thompson	D8/353
3,242,664	3/1966	Lederrey	D10/30

OTHER PUBLICATIONS

Housewares Review, Mar. 1957, Light Switch Plate.
Design News 10-6-80 p. 117 Eckardt Laboratories Bezel
Ad top left corner.

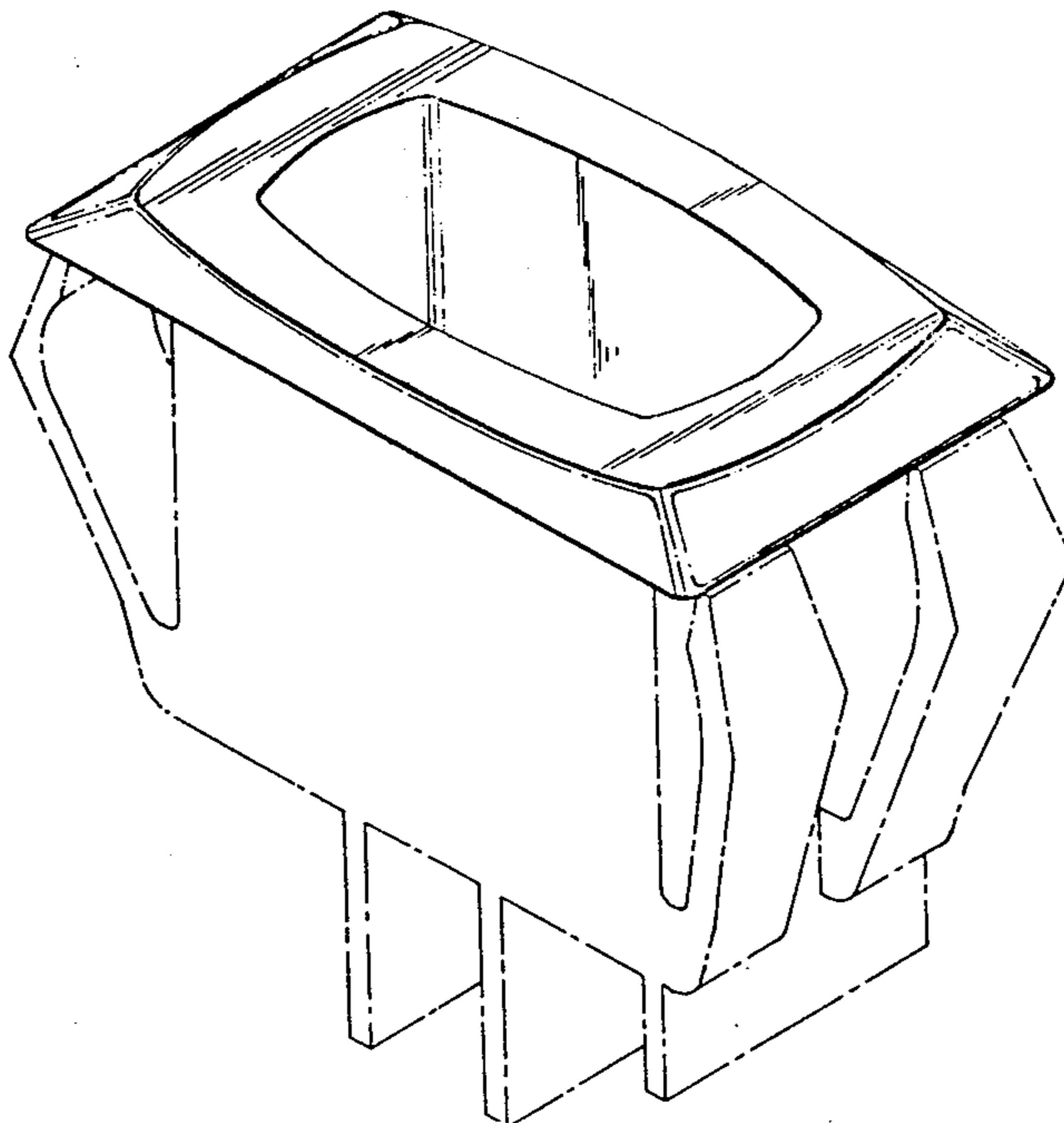
Primary Examiner—Wallace R. Burke
Assistant Examiner—Lynn Wilder
Attorney, Agent, or Firm—McCormick, Paulding & Huber

[57] CLAIM

The ornamental design for a switch case bezel, as shown and described.

DESCRIPTION

FIG. 1 is a perspective view of a switch case bezel showing my new design;
FIG. 2 is a top plan view thereof;
FIG. 3 is a side elevational view thereof, the opposite side being a mirror image;
FIG. 4 is an end elevational view thereof, the opposite end being a mirror image;
FIG. 5 is a bottom plan view thereof;
FIG. 6 is a sectional view thereof taken along line 6—6 of FIG. 4; and
FIG. 7 is a sectional view thereof taken along line 7—7 of FIG. 2.
The broken line disclosure of the switch case shown in FIGS. 1-5 is for illustrative purposes only and forms no part of the claimed design.



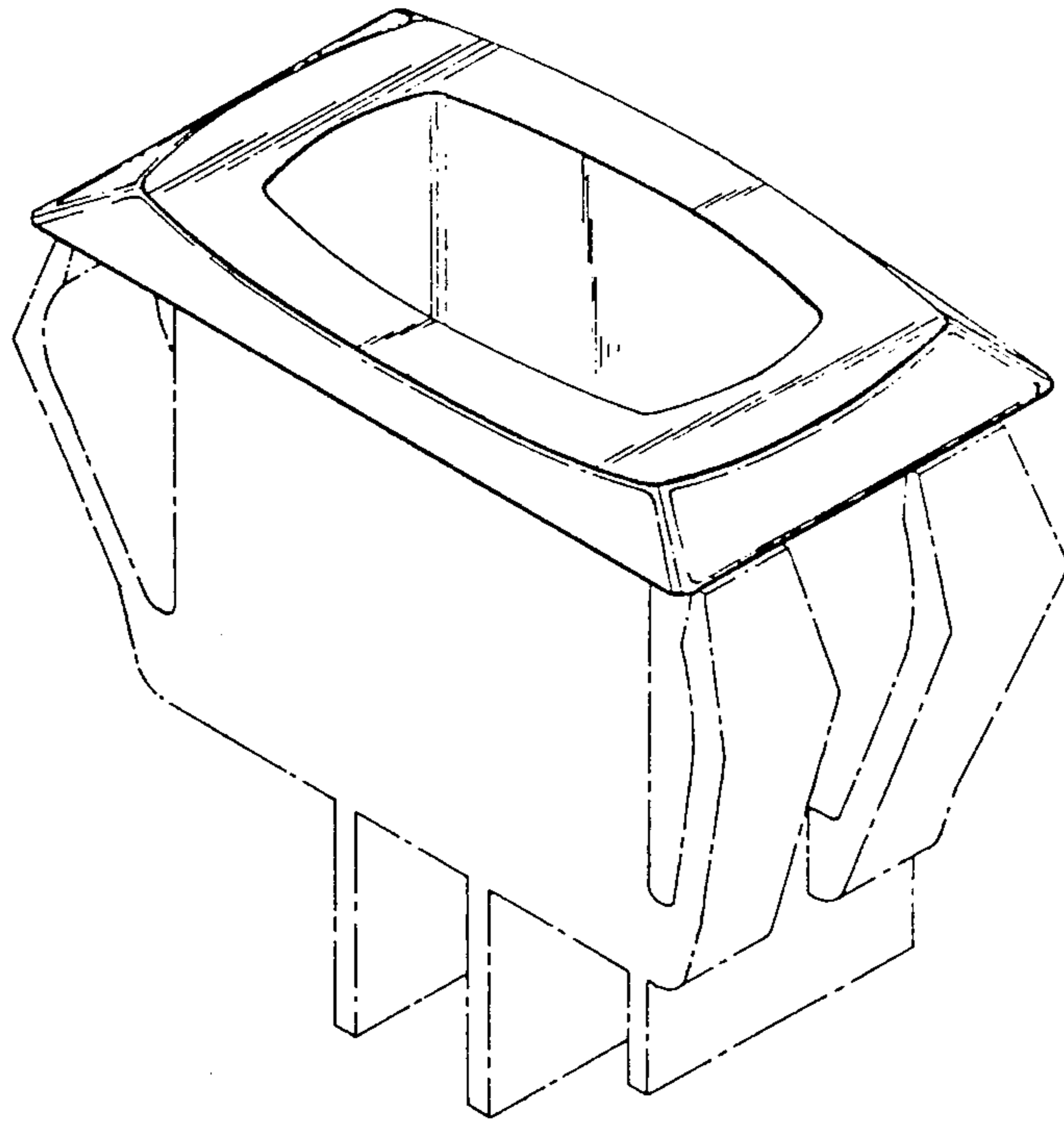
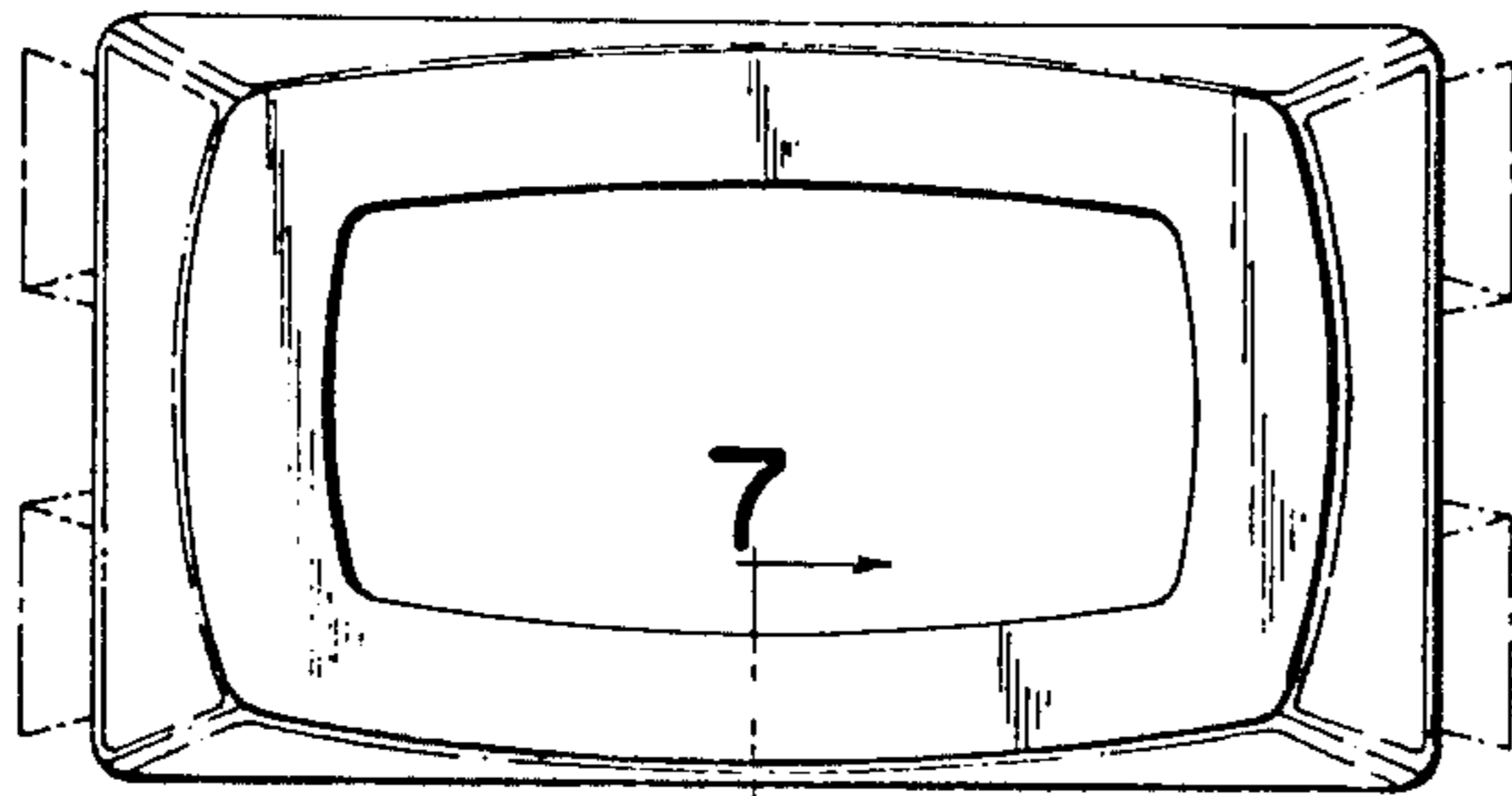


FIG. 1



7 7 FIG. 2

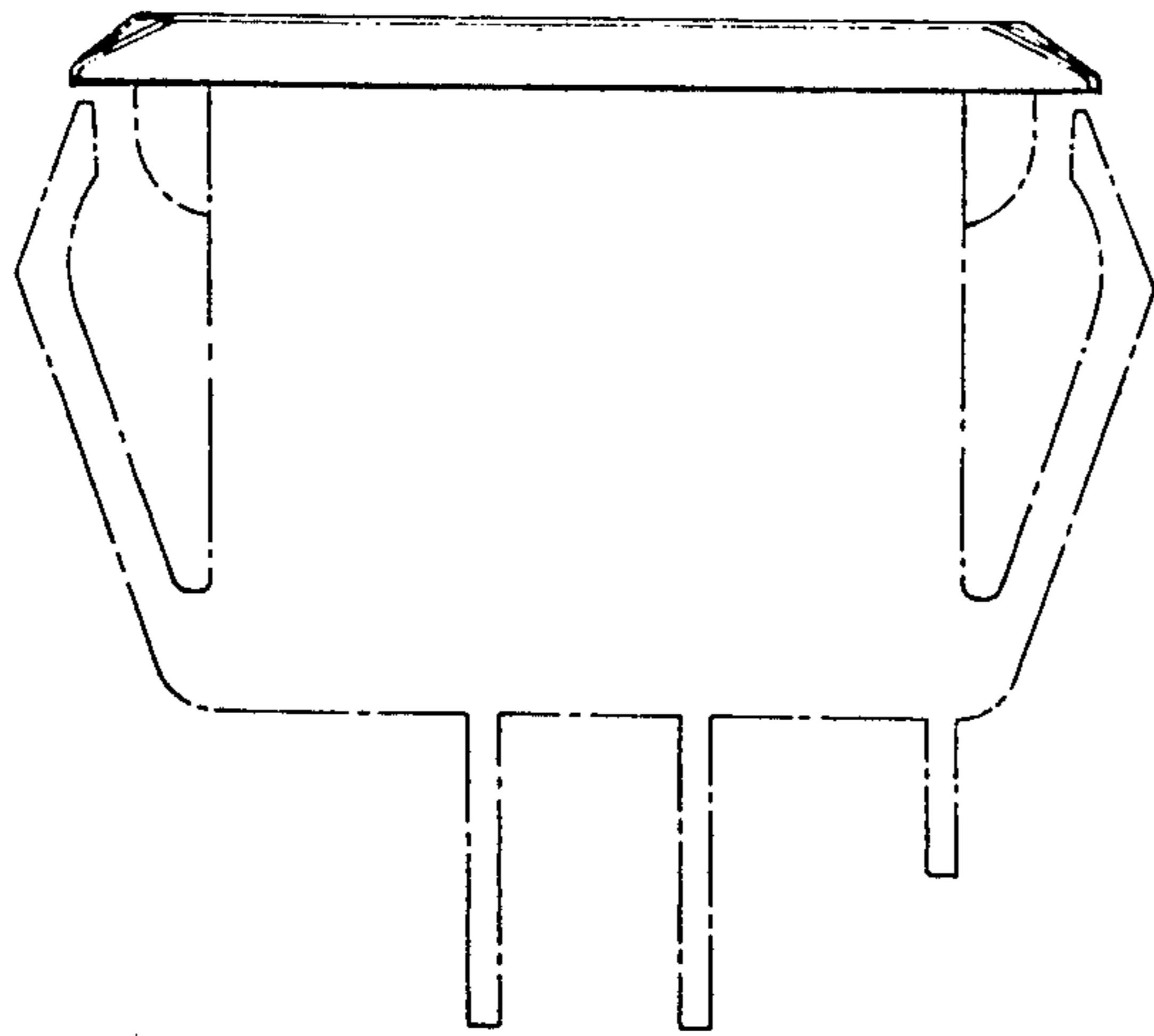
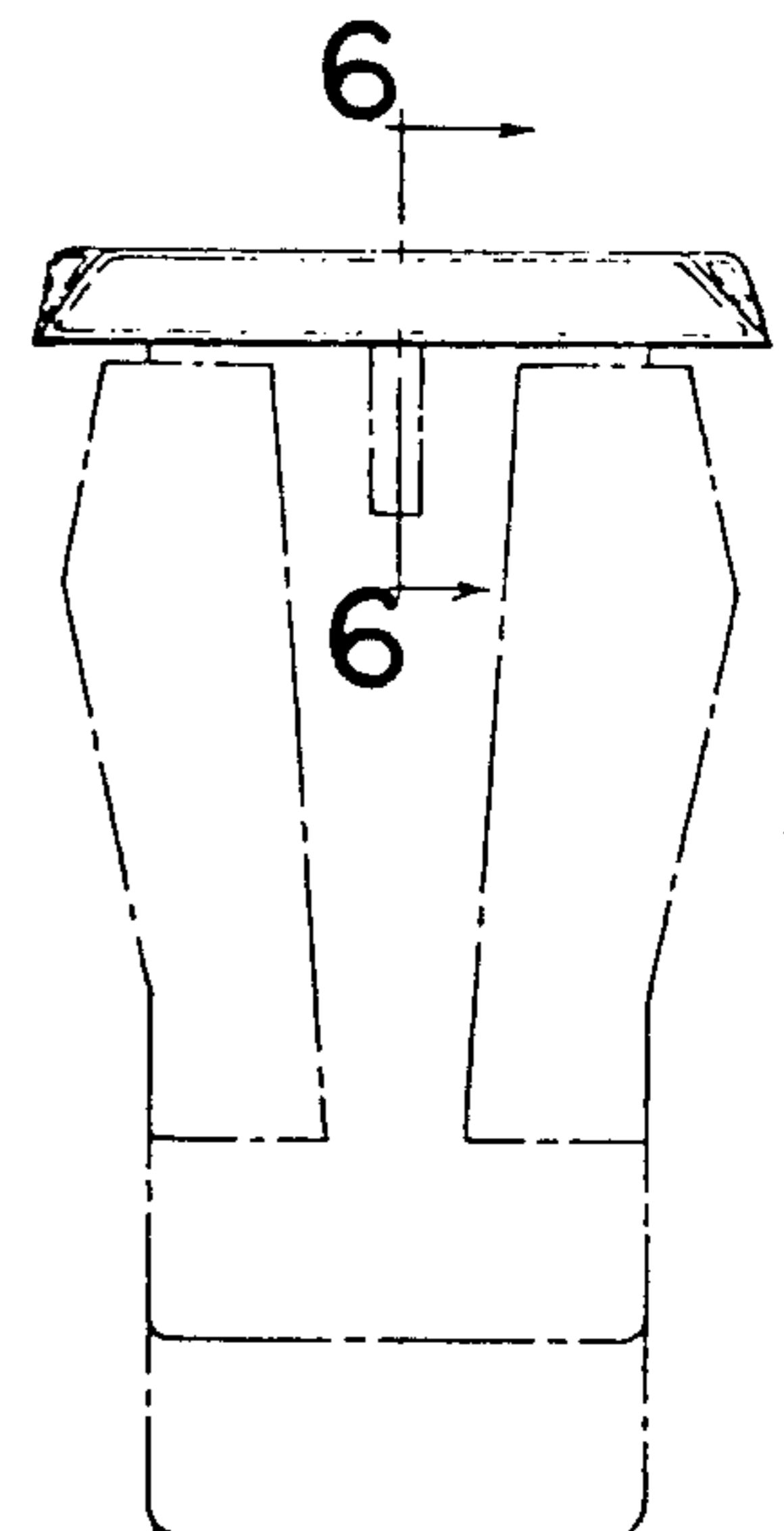


FIG. 3



6 6 FIG. 4

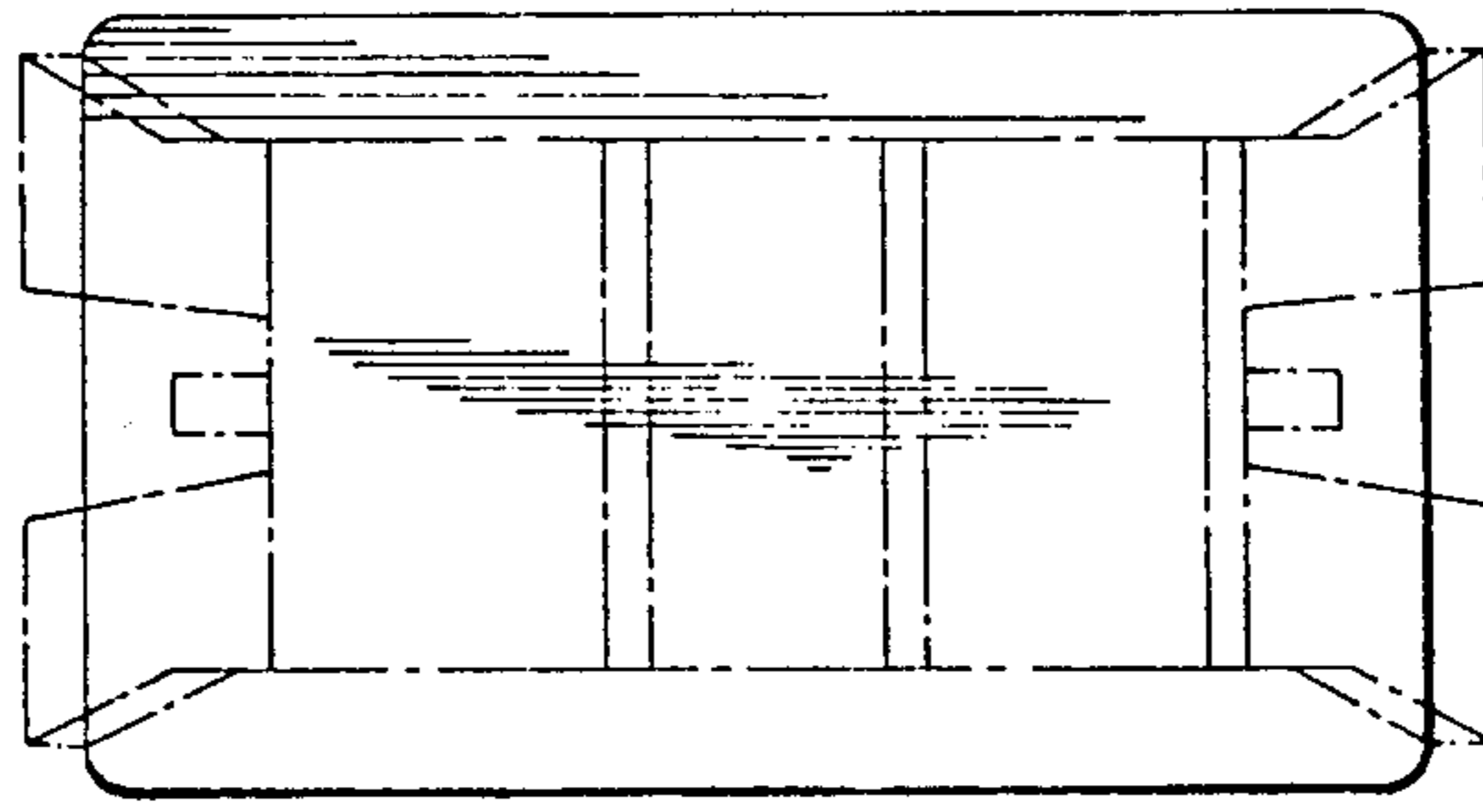


FIG. 5

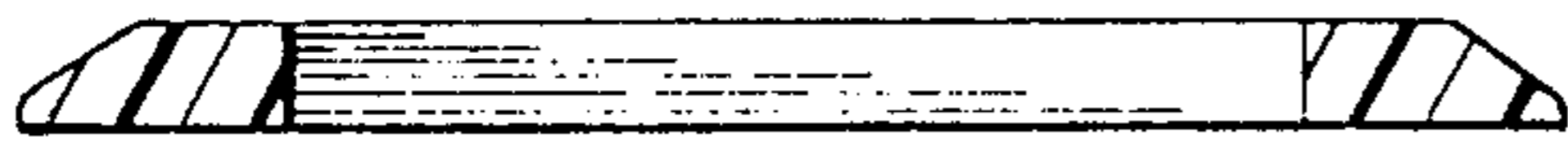


FIG. 6

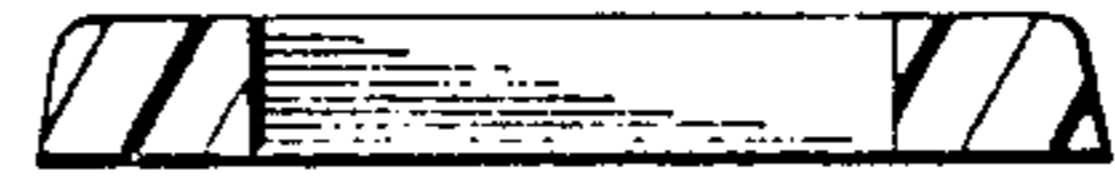


FIG. 7

284,261