

[54] CONTINUOUS FOOD COOKER

[76] Inventors: Dye O. Miller, 1815 Pheasant Trail, Mount Prospect, Ill. 60056; August J. Antunes, 143 E. Jackson St., Elmhurst, Ill. 60126; Jerome Antunes, 21 Clubside Dr., Clarendon Hills, Ill. 60514

[**] Term: 14 Years

[21] Appl. No.: 434,349

[22] Filed: Oct. 14, 1982

[52] U.S. Cl. D7/338

[58] Field of Search D7/348, 323, 332, 333, D7/338, 339, 340, 341; 99/386, 391, 443, 349

[56] References Cited

U.S. PATENT DOCUMENTS

3,589,274 6/1971 Murray 99/386

3,611,913	10/1971	McGinley	99/349
3,693,452	9/1972	McGinley et al.	99/386
4,286,509	9/1981	Miller et al.	99/386
4,404,898	9/1983	Chaudoir	99/386

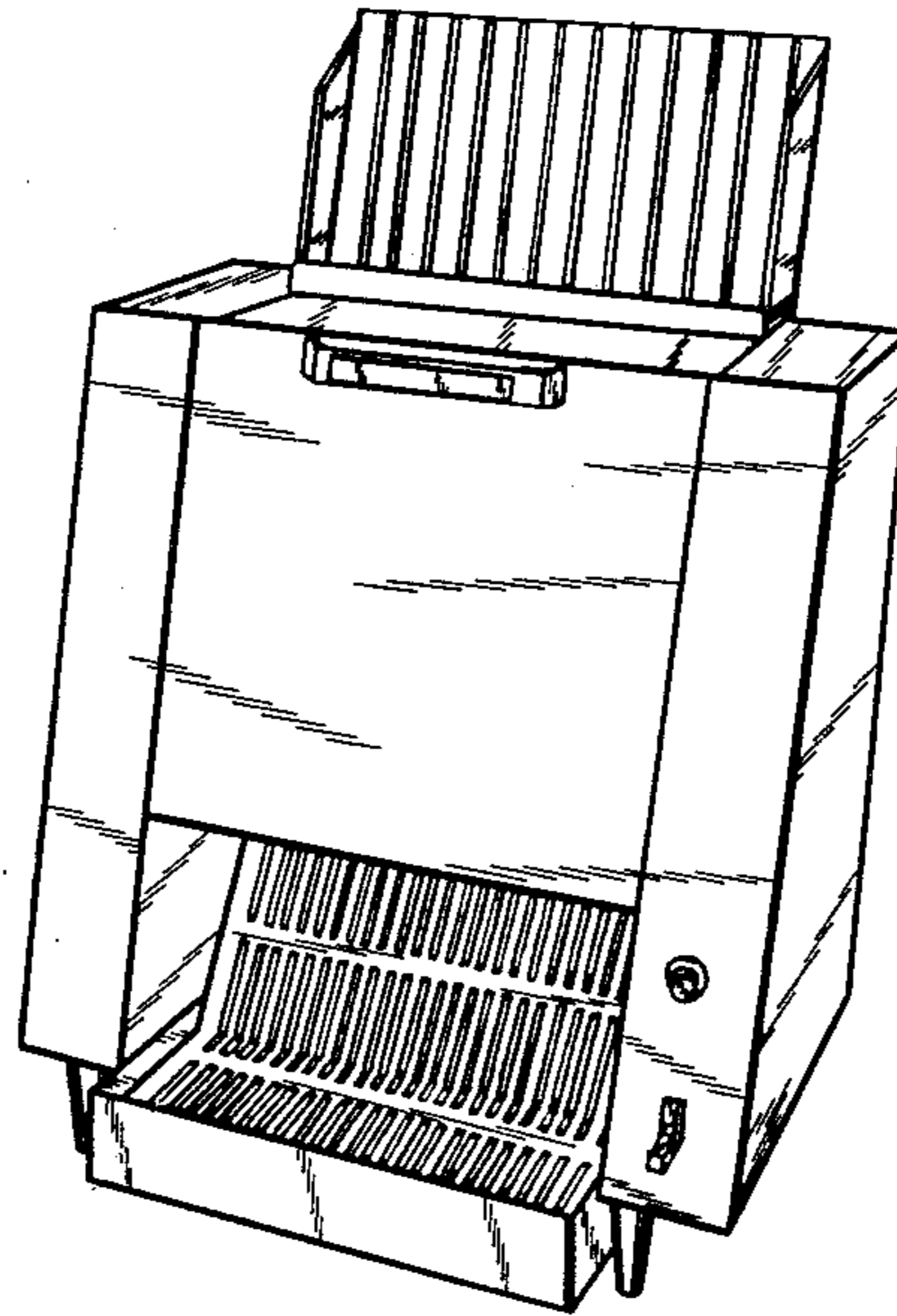
Primary Examiner—Wallace R. Burke
Assistant Examiner—Lynn Wilder

[57] CLAIM

The ornamental design for a continuous food cooker, substantially as shown.

DESCRIPTION

FIG. 1 is a perspective view of a continuous food cooker showing our new design;
FIG. 2 is a front elevational view of a continuous food cooker showing our new design;
FIG. 3 is a left side elevational view thereof, the right side being a mirror image;
FIG. 4 is a bottom plan view thereof;
FIG. 5 is a rear elevational view thereof;
FIG. 6 is a top plan elevational view thereof.



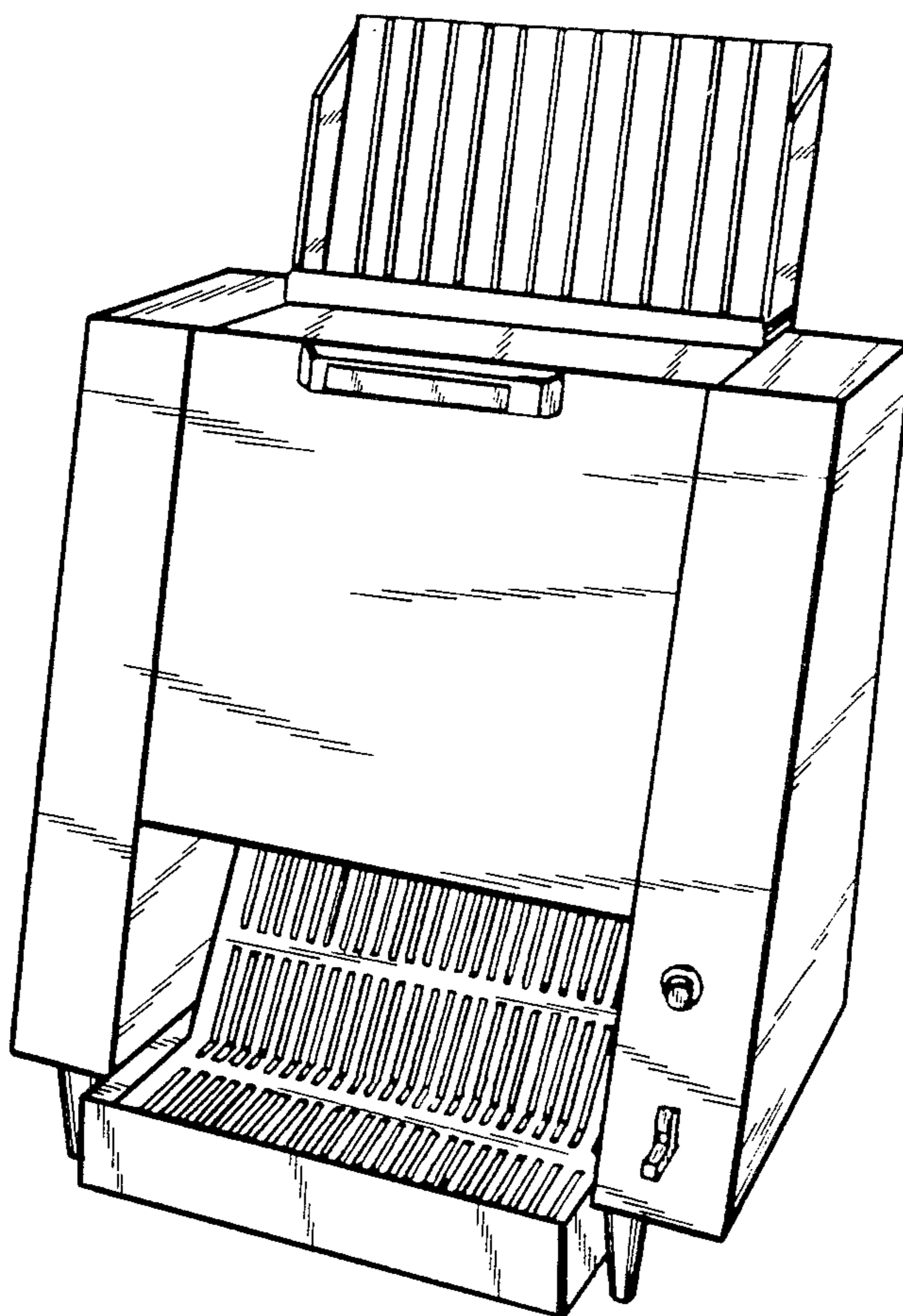


FIG. 1

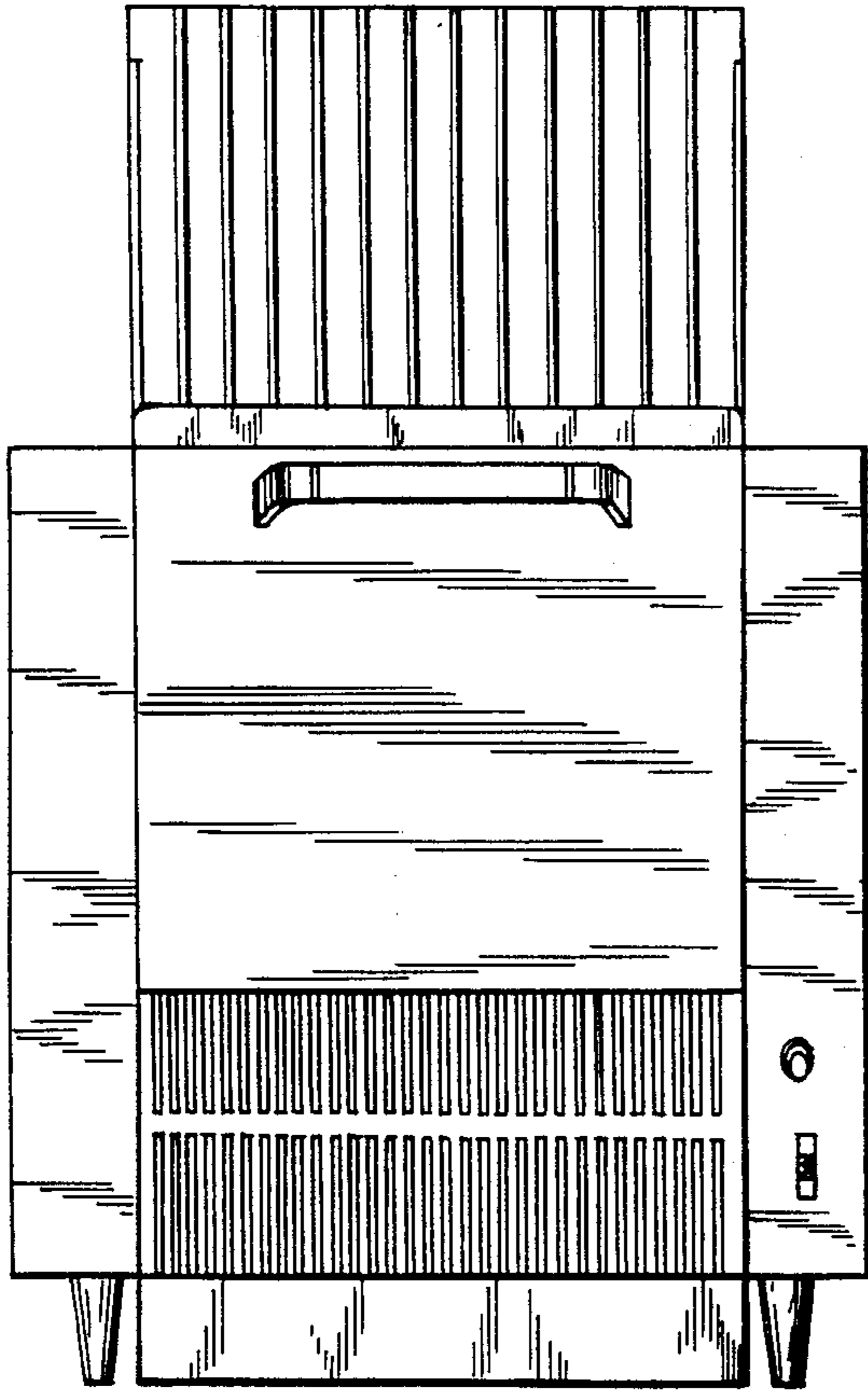


FIG. 2

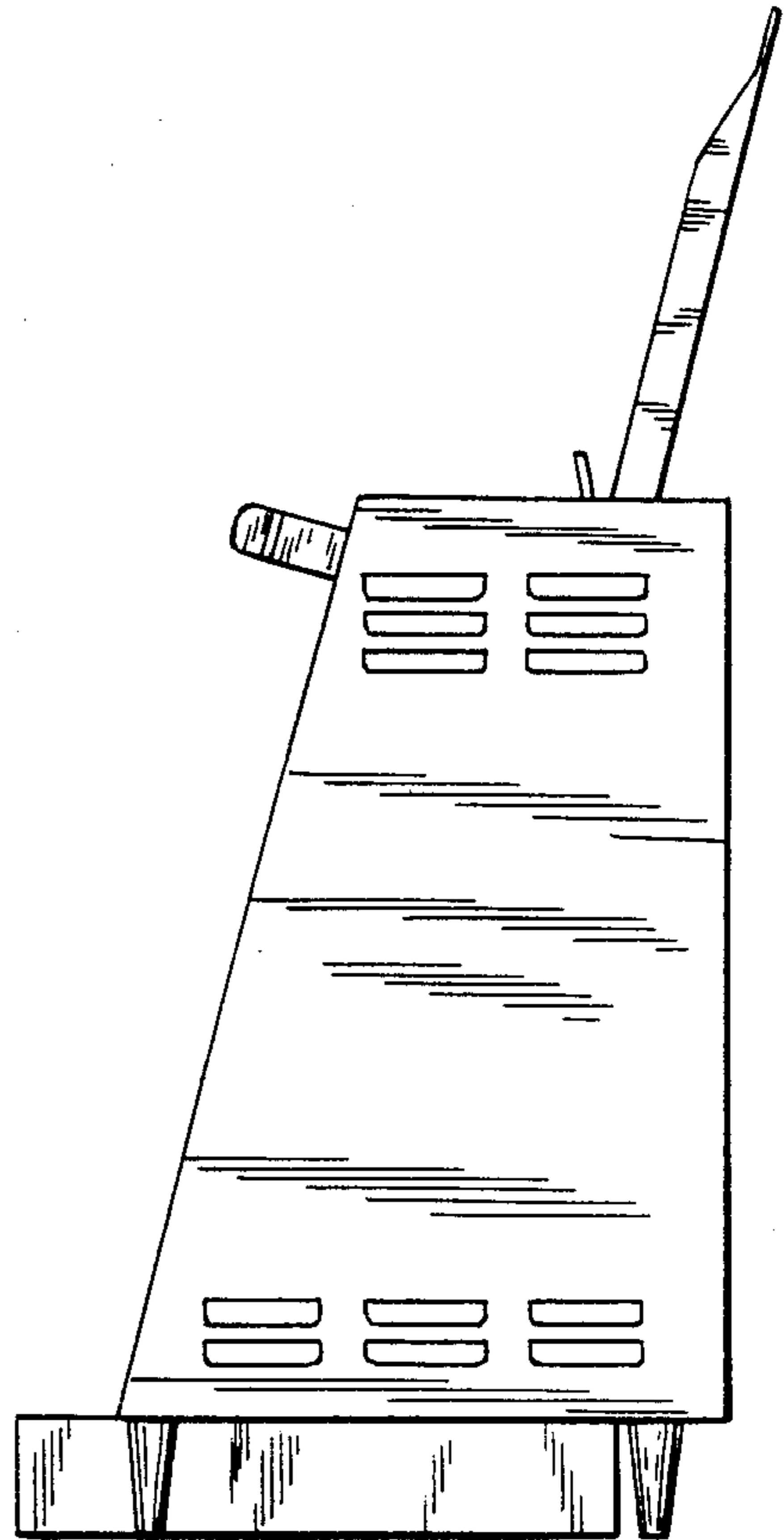


FIG. 3

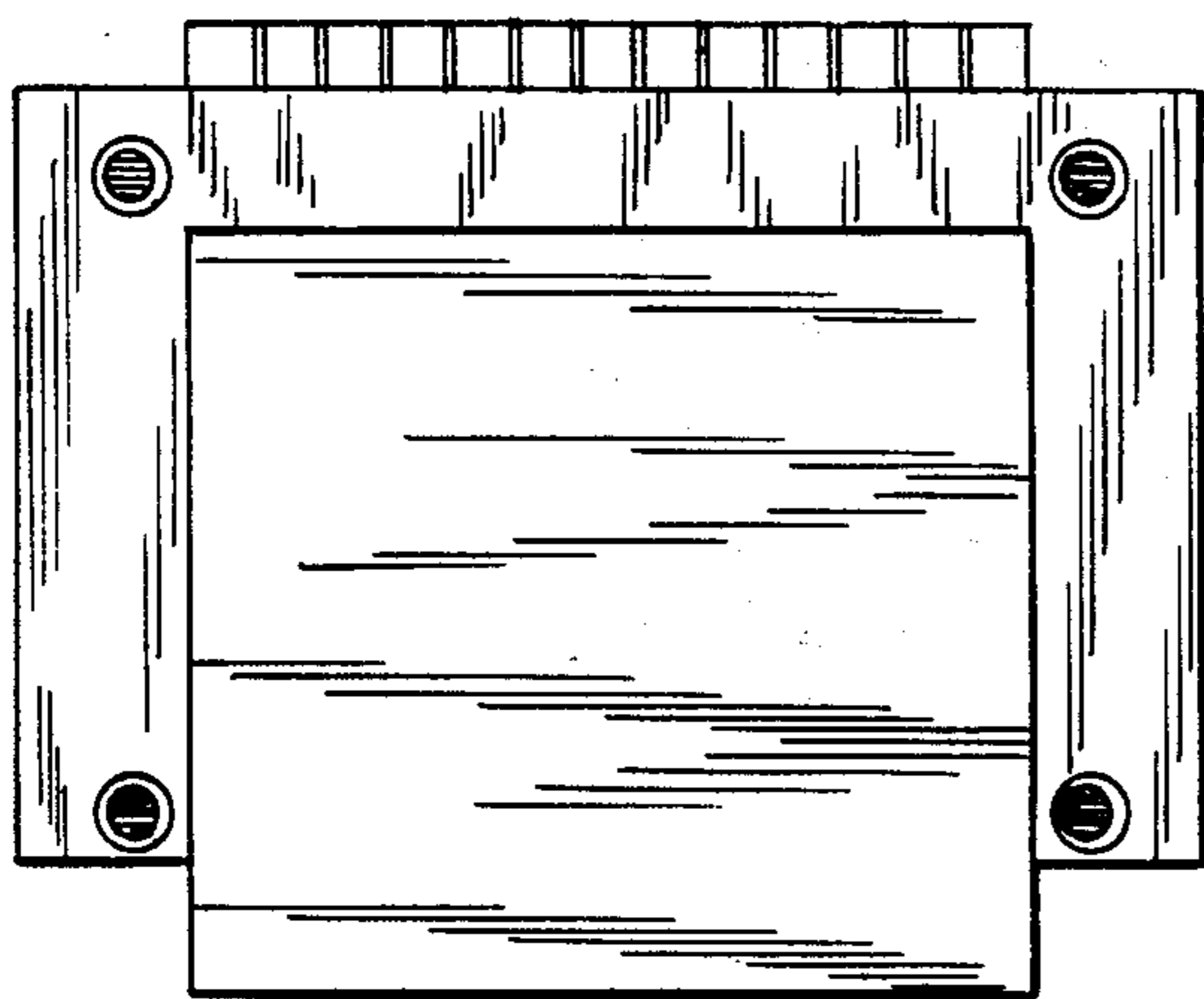


FIG. 4

FIG. 5

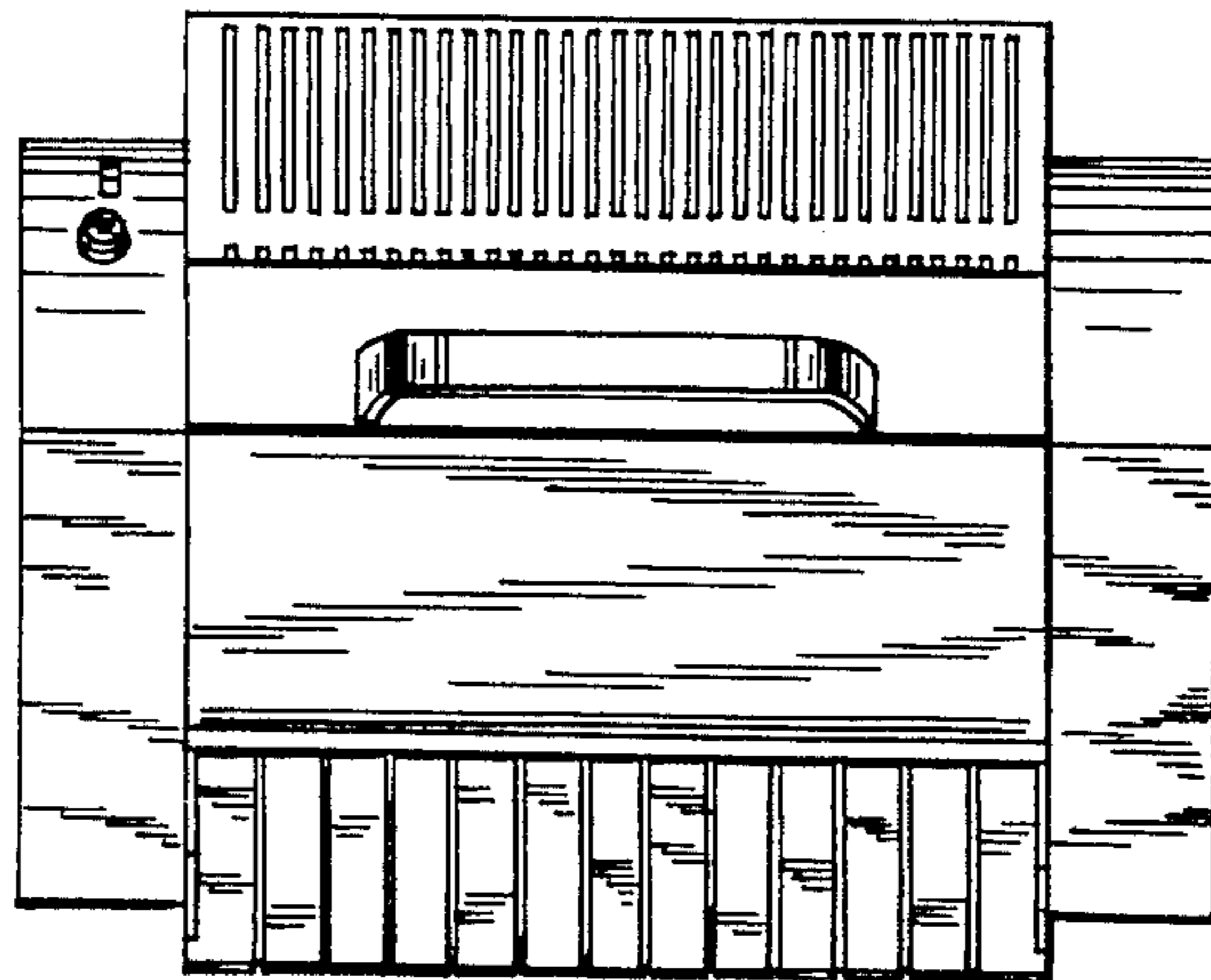
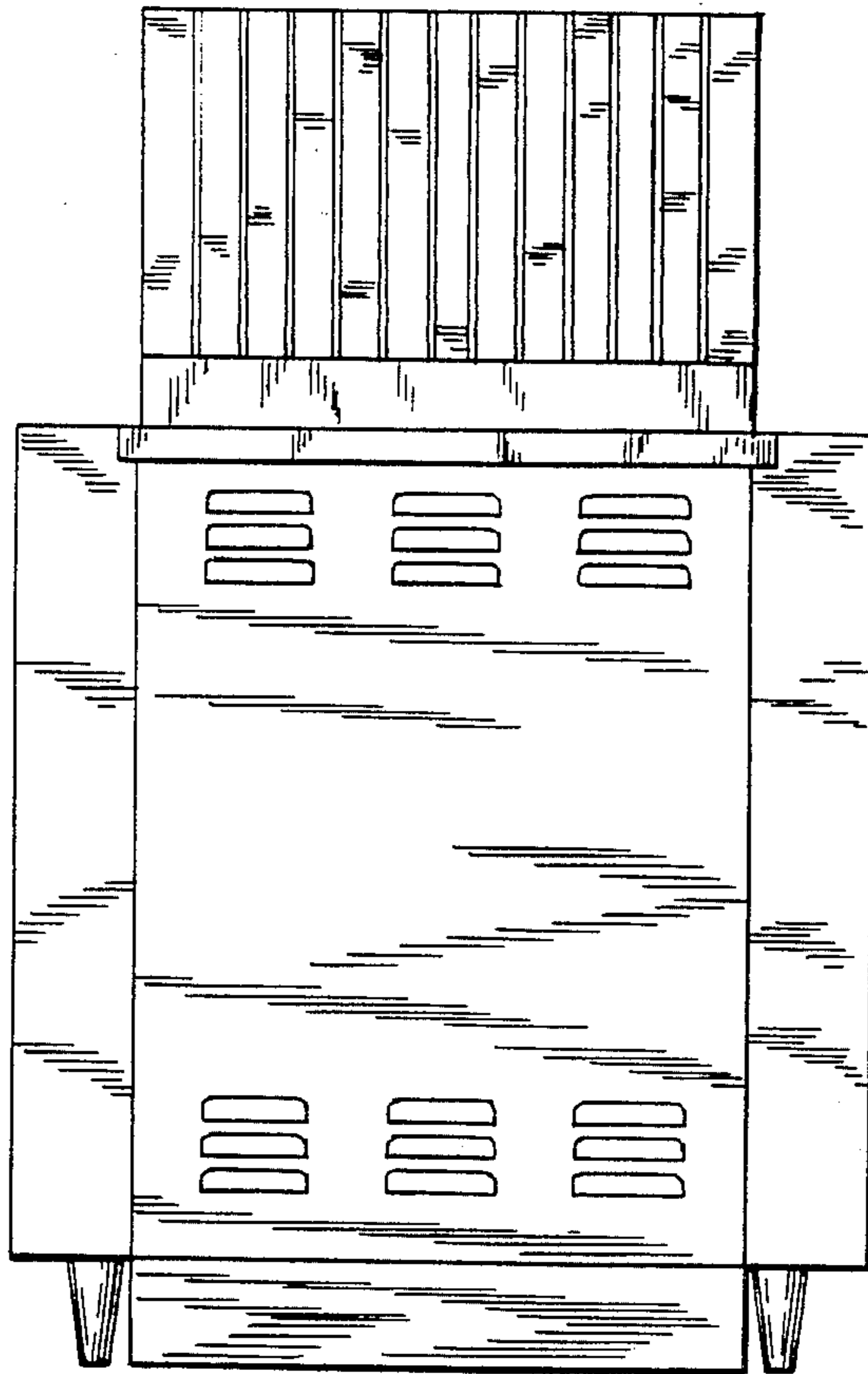


FIG. 6