

[54] PORTABLE BARBEQUE

[76] Inventor: J. D. Moncrief, 3139 Woodmark Ct., Sacramento, Calif. 95821

[\*\*] Term: 14 Years

[21] Appl. No.: 645,598

[22] Filed: Aug. 30, 1984

[52] U.S. Cl. .... D7/334

[58] Field of Search ..... D7/323, 331-332, D7/327, 334-347, 387-388, 402-403, 405-406, 408-409; 99/421-422, 424-425, 444, 447-450; 126/25 A, 25 AA, 25 B, 25 C, 25 R, 29-30, 9 A, 9 B, 9 R

[56] References Cited

U.S. PATENT DOCUMENTS

1,853,319 10/1929 Polhemus ..... 99/421

3,499,380 3/1970 Gongwer ..... 99/427  
3,792,654 2/1974 Turner ..... 99/450  
4,364,310 12/1982 Rufkahr ..... 99/427  
4,392,419 7/1983 Bonny ..... 99/422

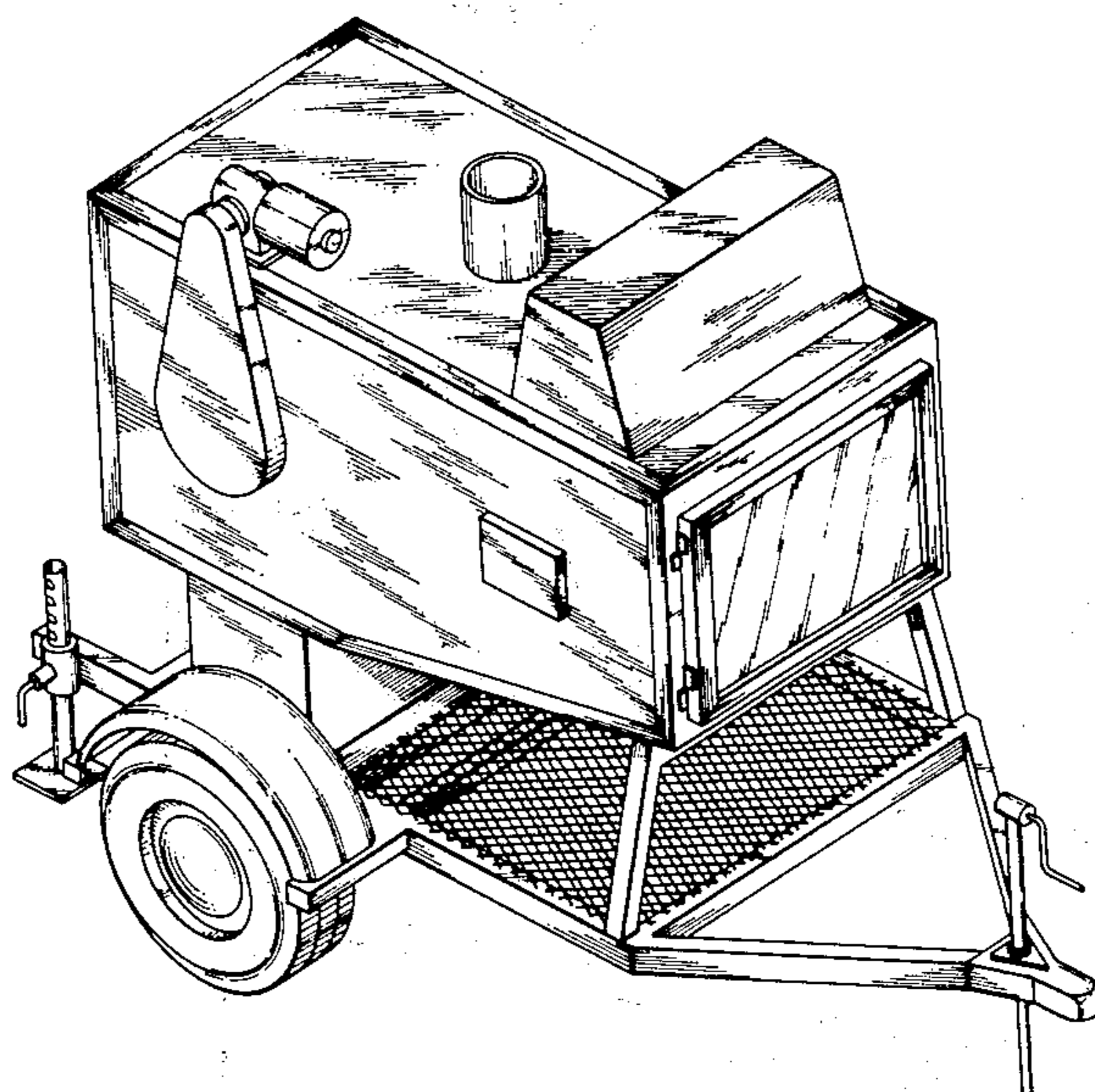
Primary Examiner—Wallace R. Burke  
Assistant Examiner—Ruth Takemoto  
Attorney, Agent, or Firm—Lothrop & West

[57] CLAIM

The ornamental design for a portable barbeque, as shown.

DESCRIPTION

FIG. 1 is a perspective view of a portable barbeque, showing my new design;  
FIG. 2 is an elevational view of one side;  
FIG. 3 is an elevational view of the other side;  
FIG. 4 is a top plan view;  
FIG. 5 is a front elevational view; and,  
FIG. 6 is a rear elevational view.



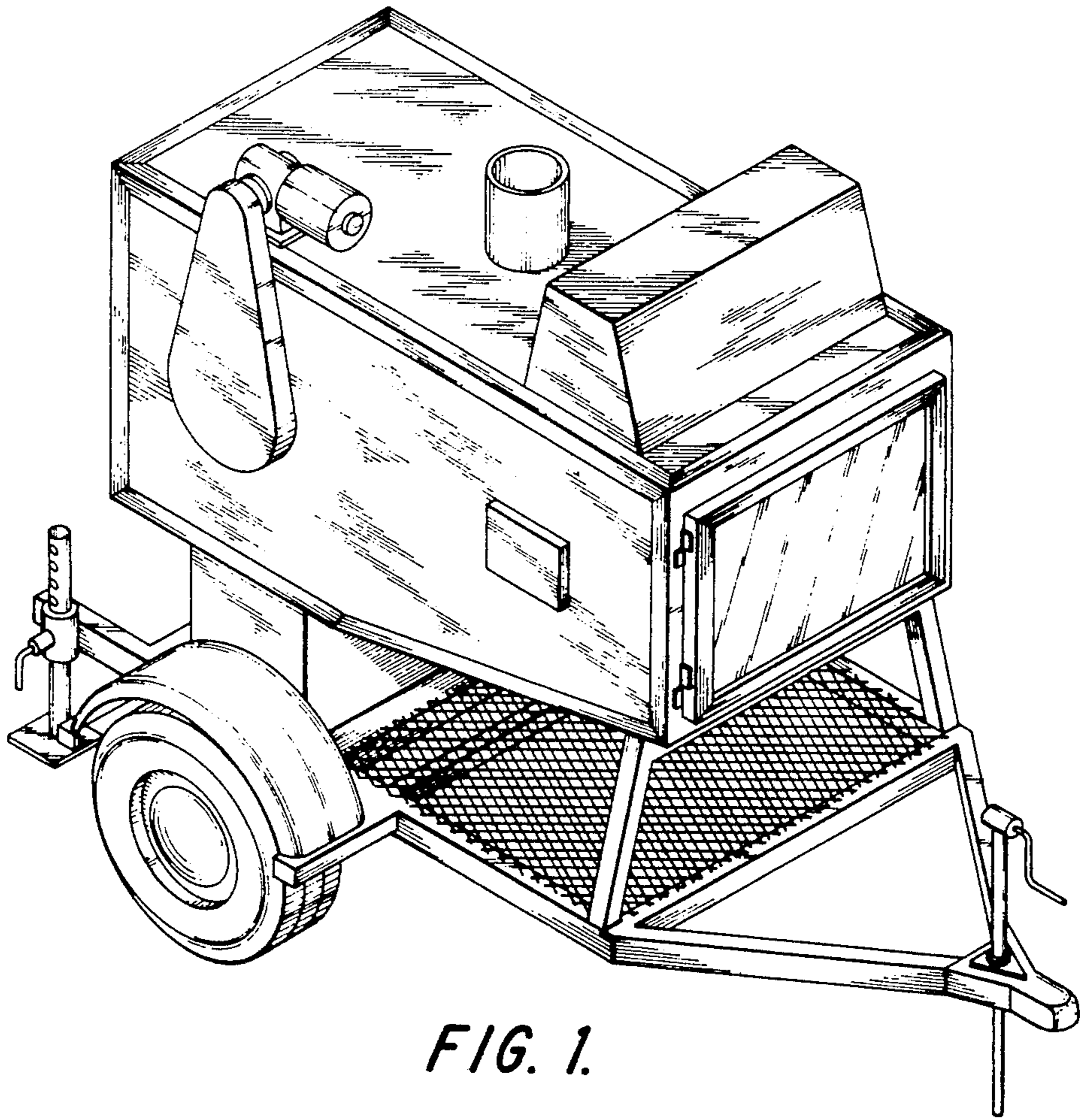


FIG. 1.

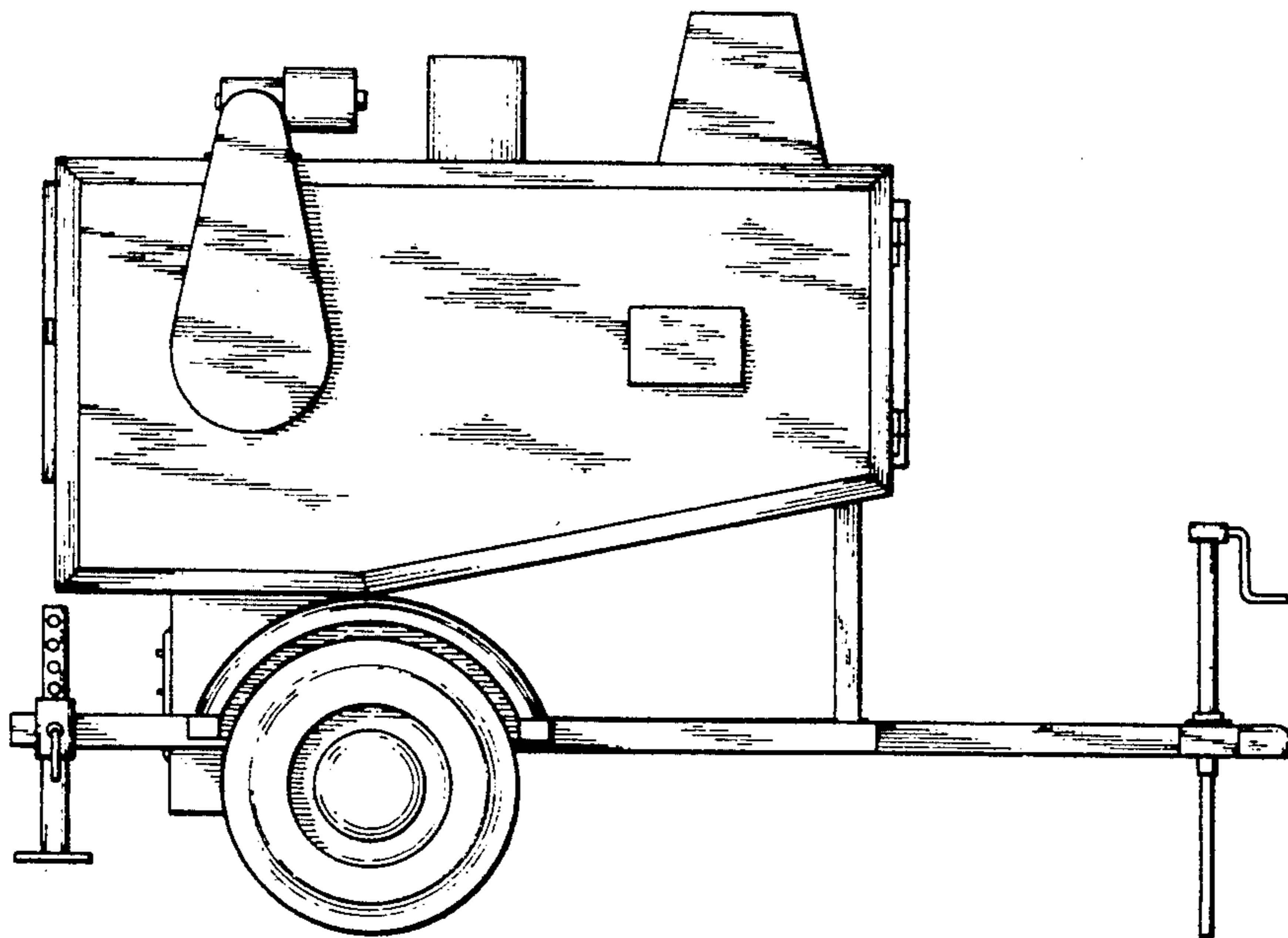


FIG. 2.

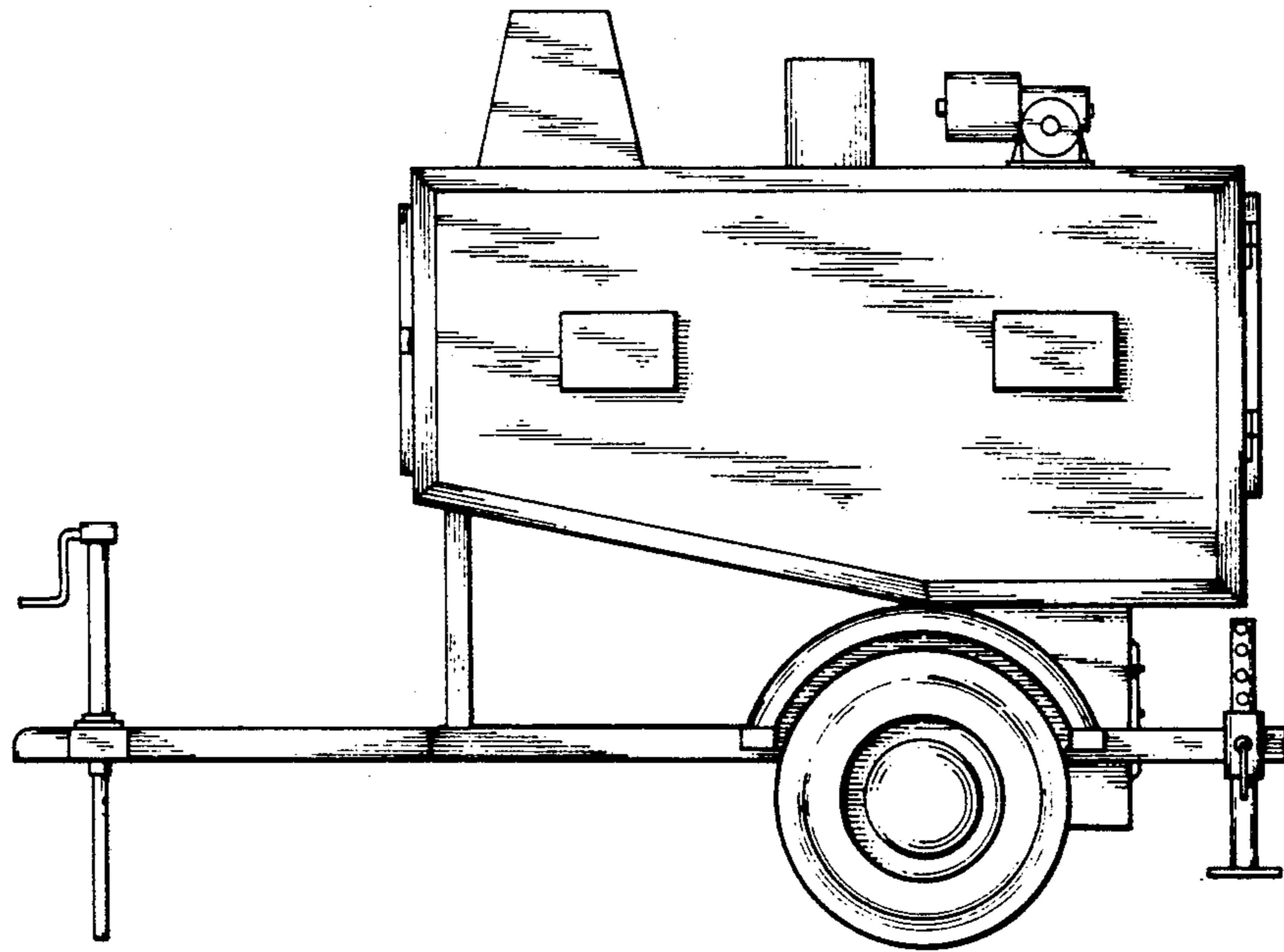


FIG. 3.

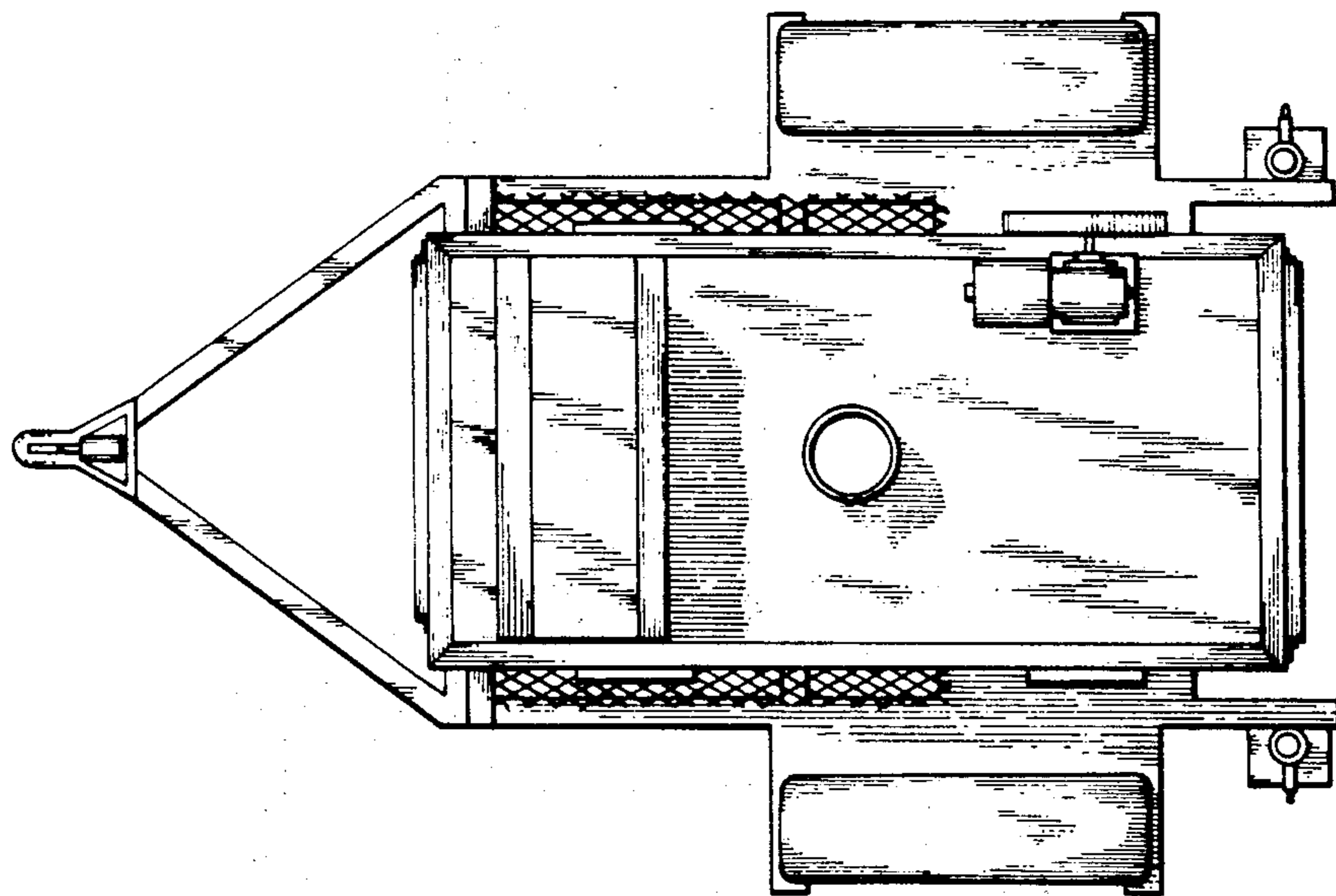


FIG. 4.

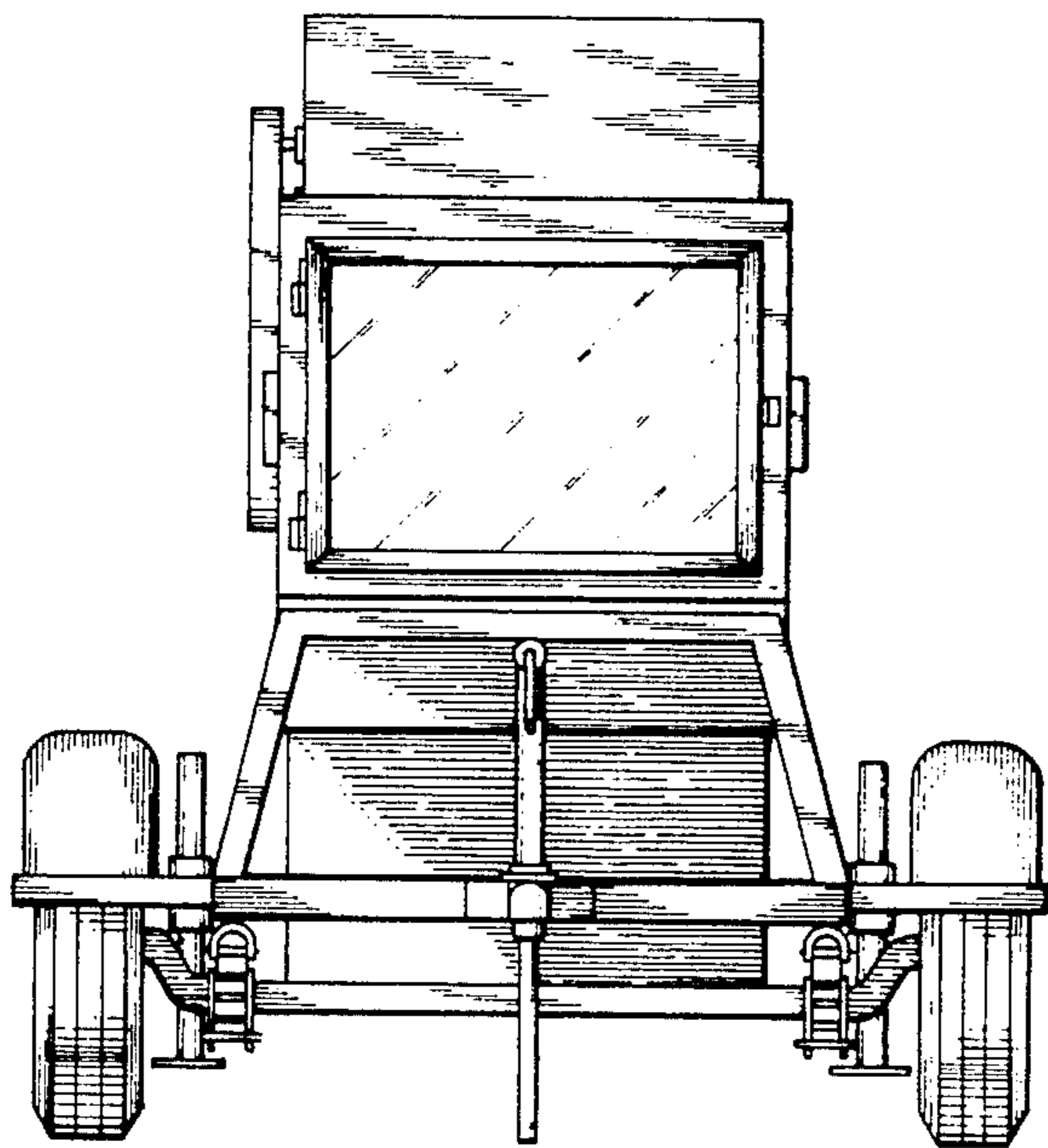


FIG. 5.

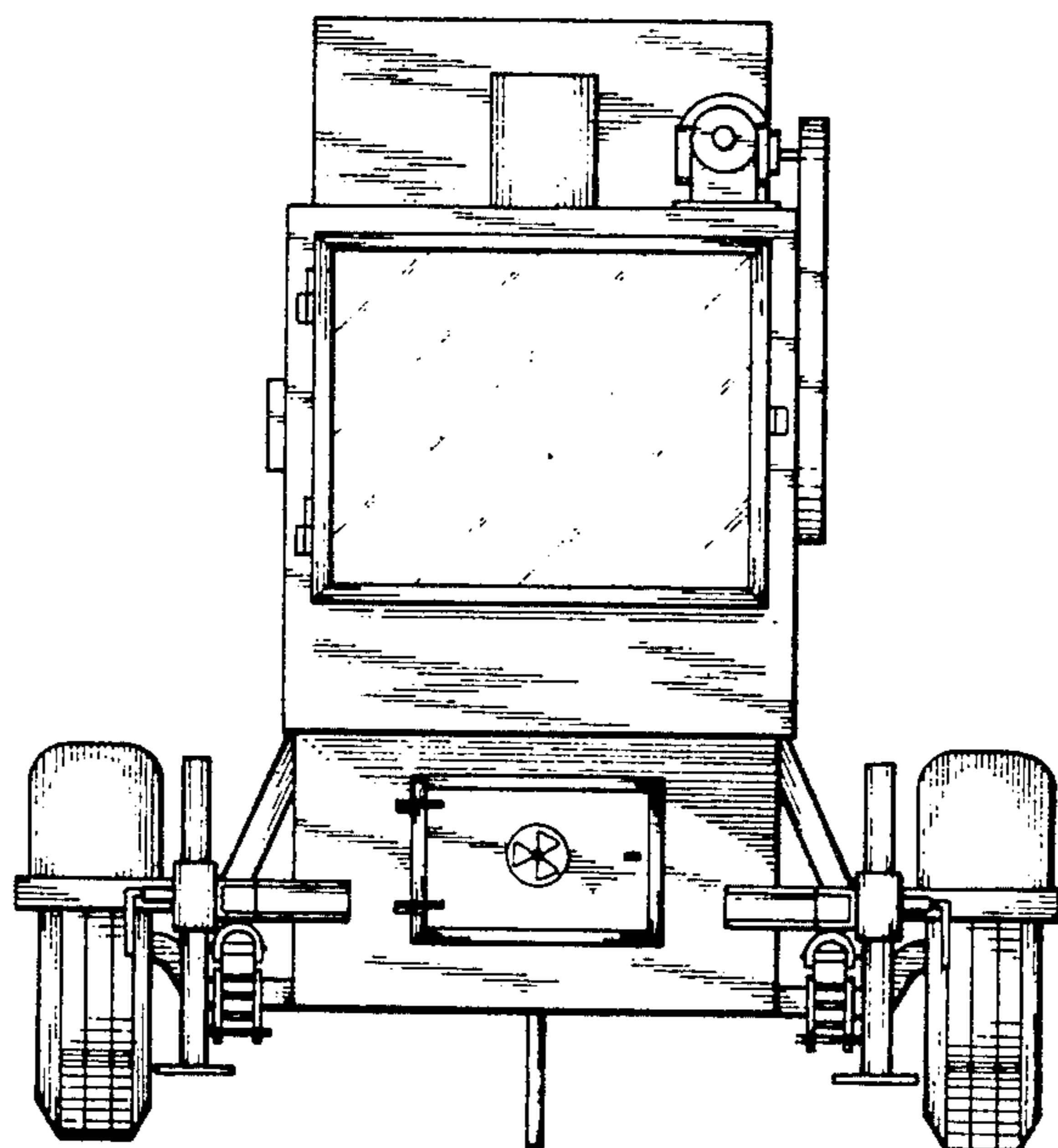


FIG. 6.