

[54] HAMPER

[75] Inventor: Arthur R. Carlson, East Malvern, Australia

[73] Assignee: The Decor Corporation Proprietary Limited, Scoresby, Australia

[**] Term: 14 Years

[21] Appl. No.: 477,673

[22] Filed: Mar. 22, 1983

[30] Foreign Application Priority Data

- Sep. 24, 1982 [AU] Australia 1645/82
- Sep. 24, 1982 [AU] Australia 1646/82
- Sep. 24, 1982 [AU] Australia 1647/82
- Sep. 24, 1982 [AU] Australia 1649/82

[52] U.S. Cl. D7/77; D7/76

[58] Field of Search D7/76-79, D7/16; D9/378, 379, 341, 425; 150/55; 206/545, 541, 549; 220/95, 94 R, 31 B, DIG. 10, 306, 352, 356

[56] References Cited

U.S. PATENT DOCUMENTS

- D. 194,638 2/1963 Szantay D7/77
- D. 224,554 8/1972 Swett D9/341 X
- D. 266,822 11/1982 Seager D7/77
- D. 269,933 8/1983 Daenen et al. D7/387 X
- 2,727,547 12/1955 Moon, 3rd 150/55
- 2,984,382 5/1961 Florsheim, Jr. 220/306
- 3,351,227 11/1967 Collie 220/306
- 3,556,339 1/1971 Lind et al. 150/55 X
- 4,336,883 6/1982 Krug et al. D7/77 X

OTHER PUBLICATIONS

Housewares, 7-1980, p. 86, Fiesta Ice Chest.

Primary Examiner—Bernard Ansher

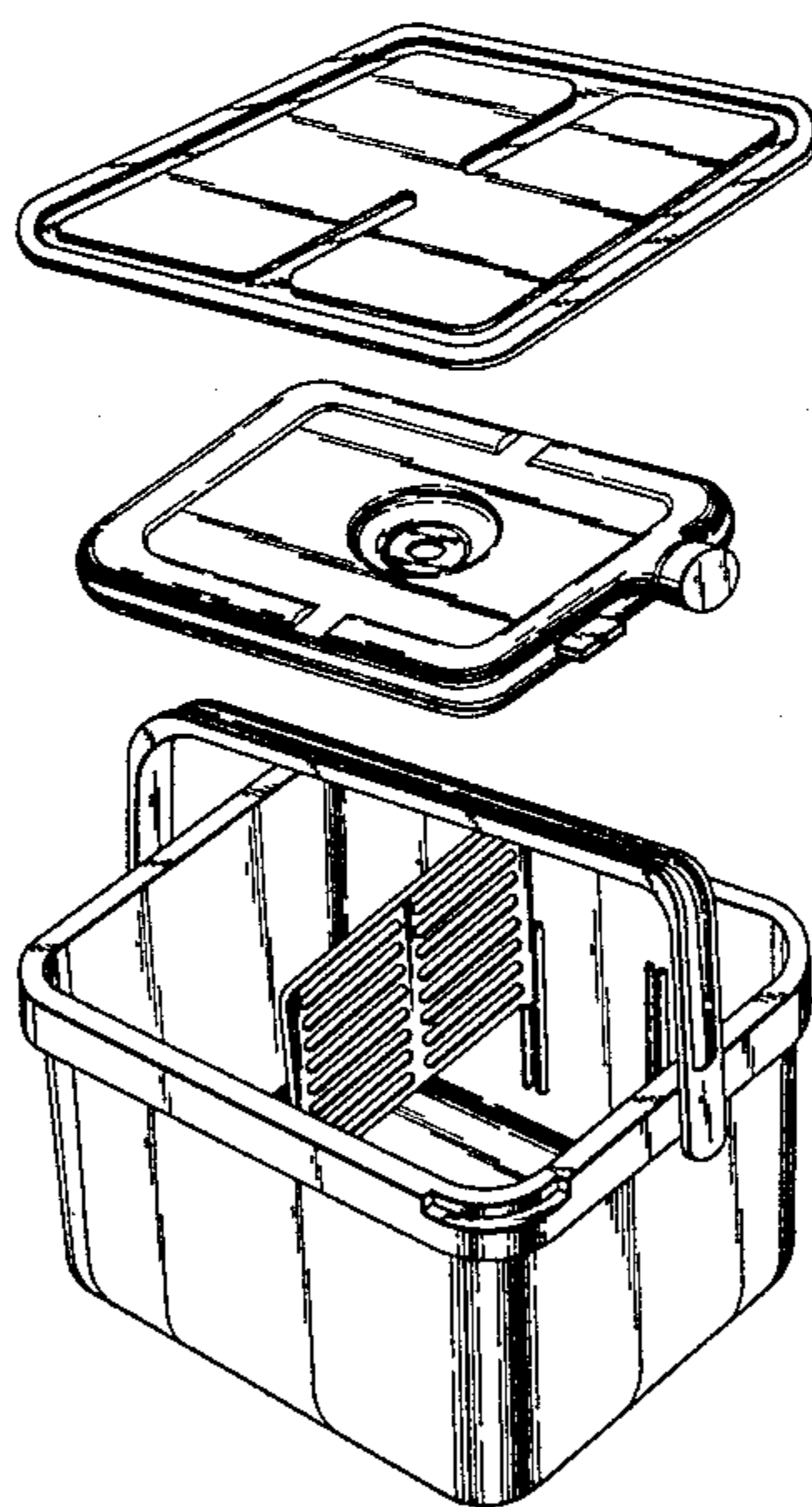
Assistant Examiner—Linda Titolo
Attorney, Agent, or Firm—Walter H. Schneider

[57] CLAIM

The ornamental design for a hamper, as shown.

DESCRIPTION

FIG. 1 is a top front perspective view of a hamper, showing my new design;
 FIG. 2 is a top plan view thereof;
 FIG. 3 is a right side elevational view thereof;
 FIG. 4 is a front elevational view thereof;
 FIG. 5 is a left side elevational view thereof;
 FIG. 6 is a rear elevational view thereof;
 FIG. 7 is a bottom plan view thereof;
 FIG. 8 is a cross sectional view thereof, taken on the line 8—8 of FIG. 2;
 FIG. 9 is an exploded top front perspective view showing the interior of the hamper shown in FIG. 1, including the hamper divider and vacuum bottle members;
 FIG. 10 is an exploded top rear perspective view thereof;
 FIG. 11 is a top plan view of the hamper divider member; shown separately for clarity of illustration;
 FIG. 12 is a front elevational view thereof, the rear elevational view being a mirror image thereof;
 FIG. 13 is a bottom plan view thereof;
 FIG. 14 is a side elevational view thereof, the opposite side being a mirror image thereof;
 FIG. 15 is a front elevational view of the vacuum bottle member;
 FIG. 16 is a top plan view thereof;
 FIG. 17 is a rear elevational view thereof;
 FIG. 18 is a bottom plan view thereof;
 FIG. 19 is a right side elevational view thereof; and
 FIG. 20 is a left side elevational view thereof.
 The hamper divider and vacuum bottle members are shown separately for clarity of illustration in FIGS. 11-20 inclusive.



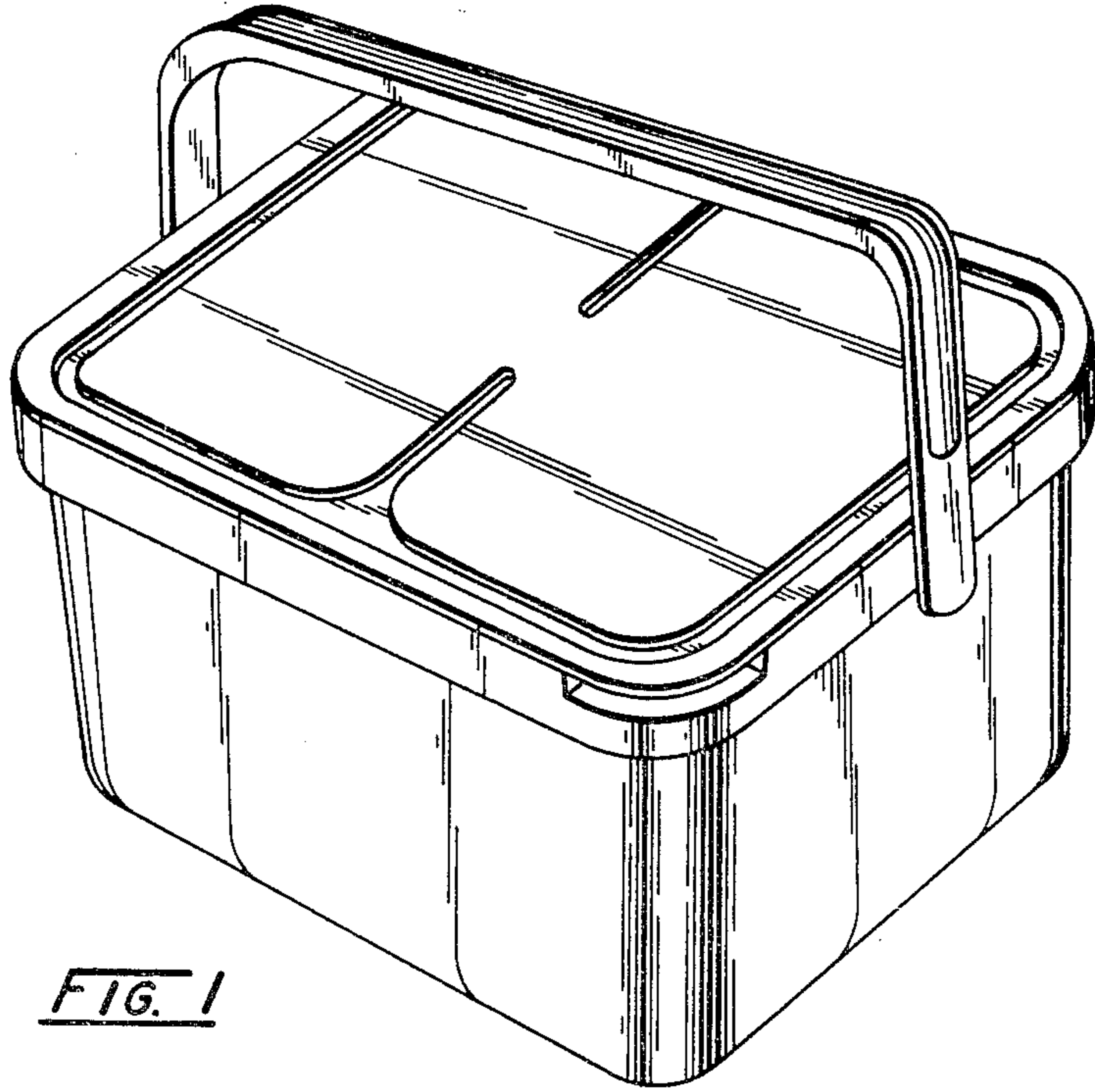


FIG. 1

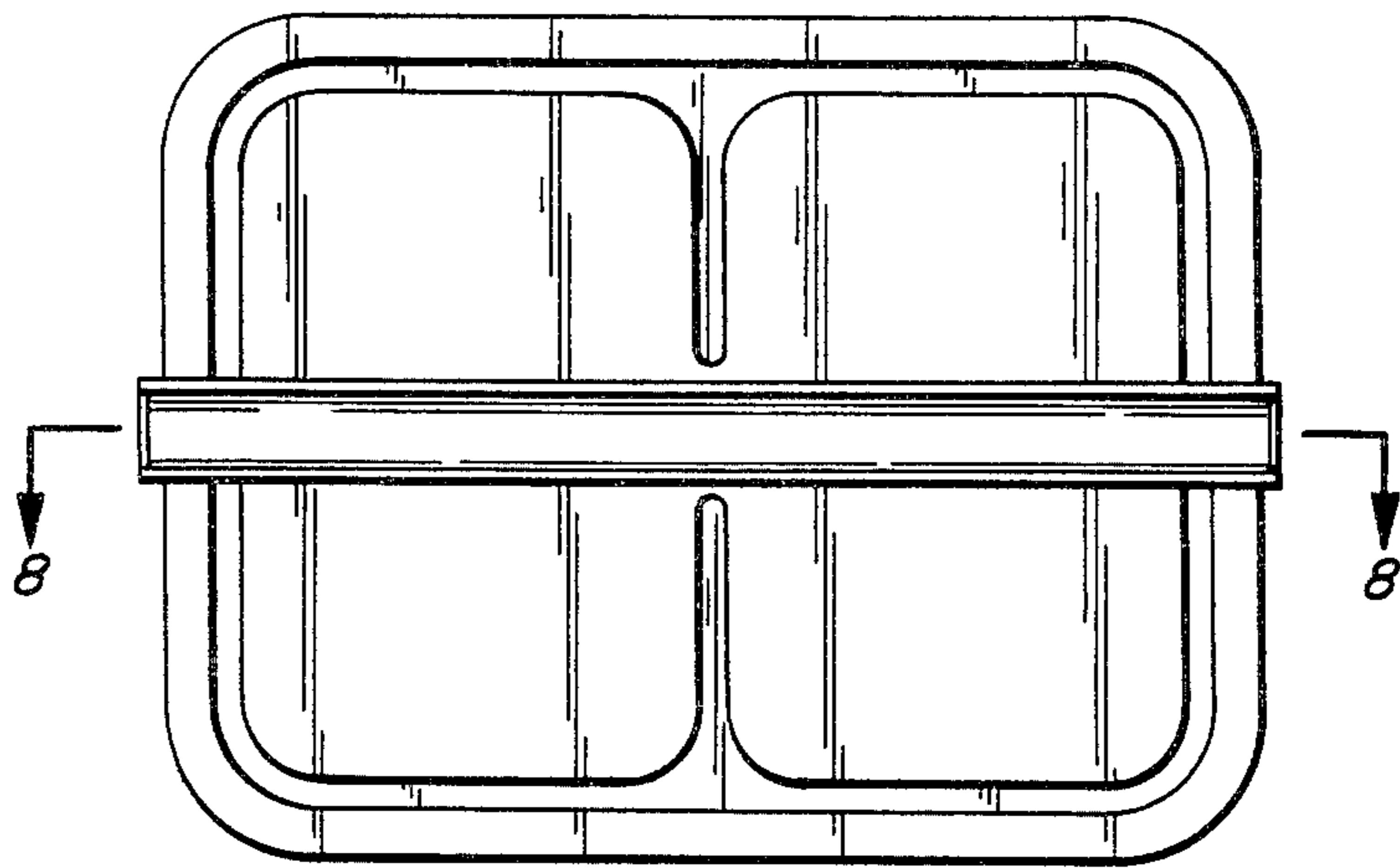


FIG. 2

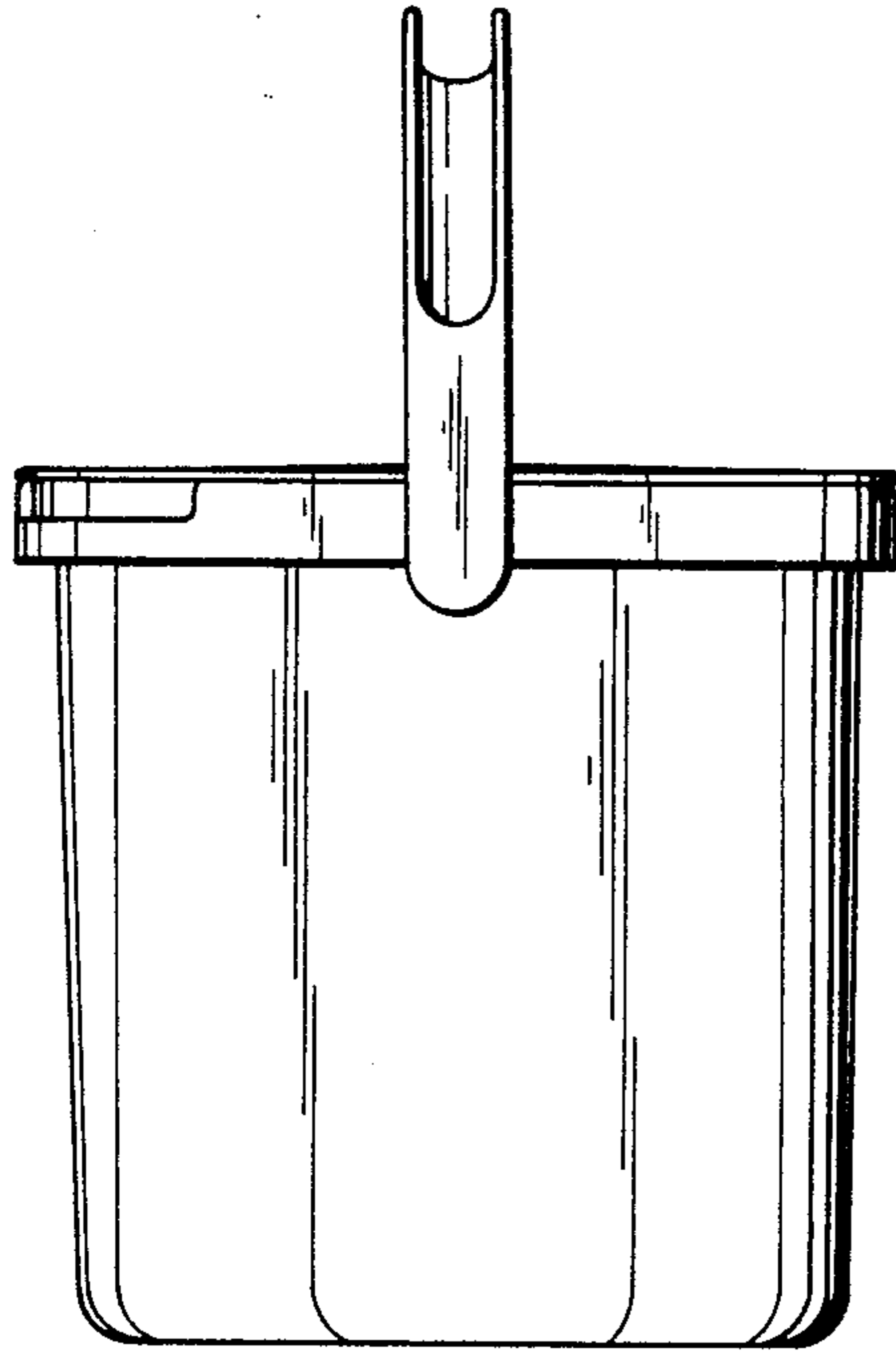


FIG. 3

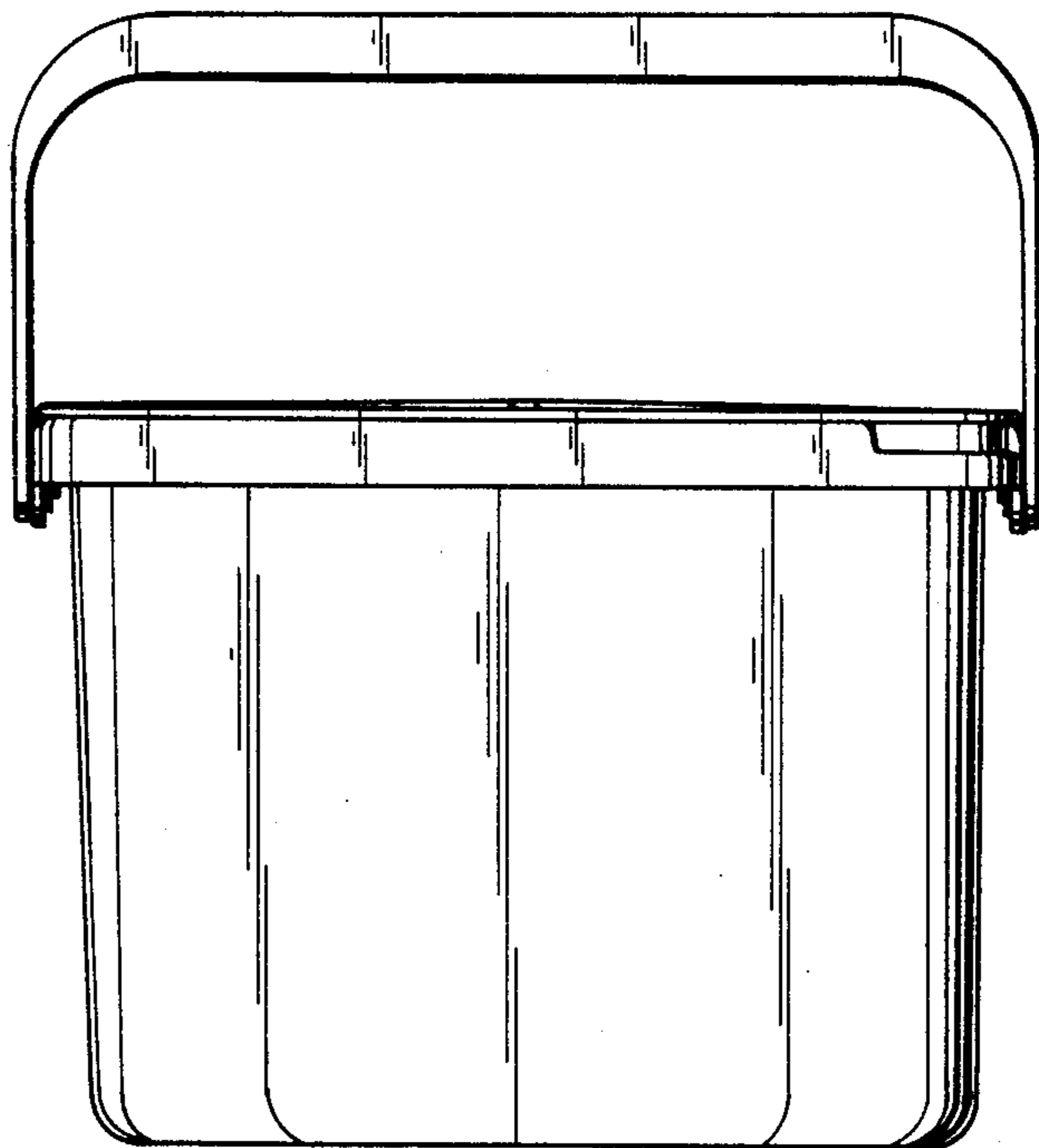


FIG. 4

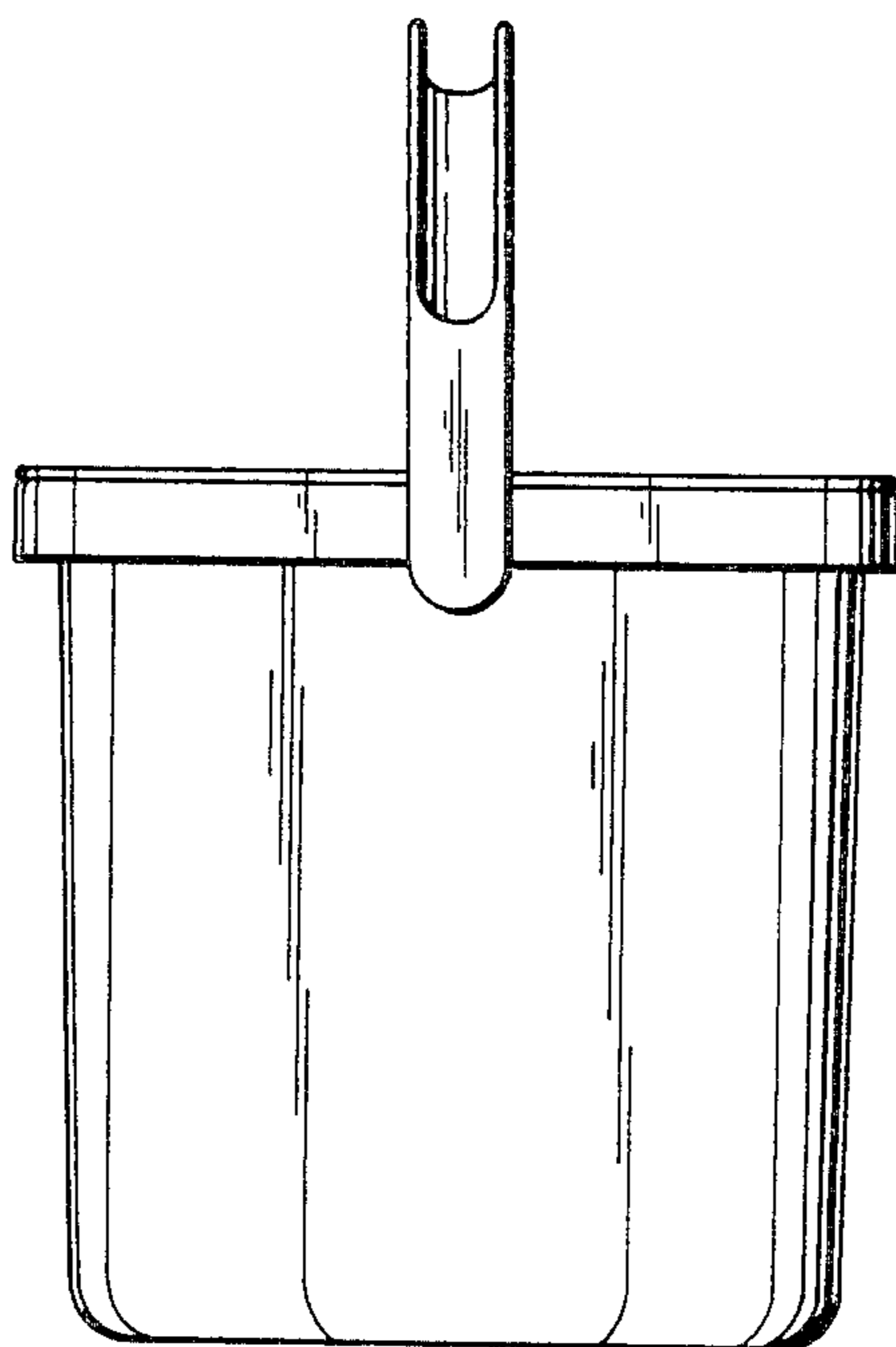


FIG. 5

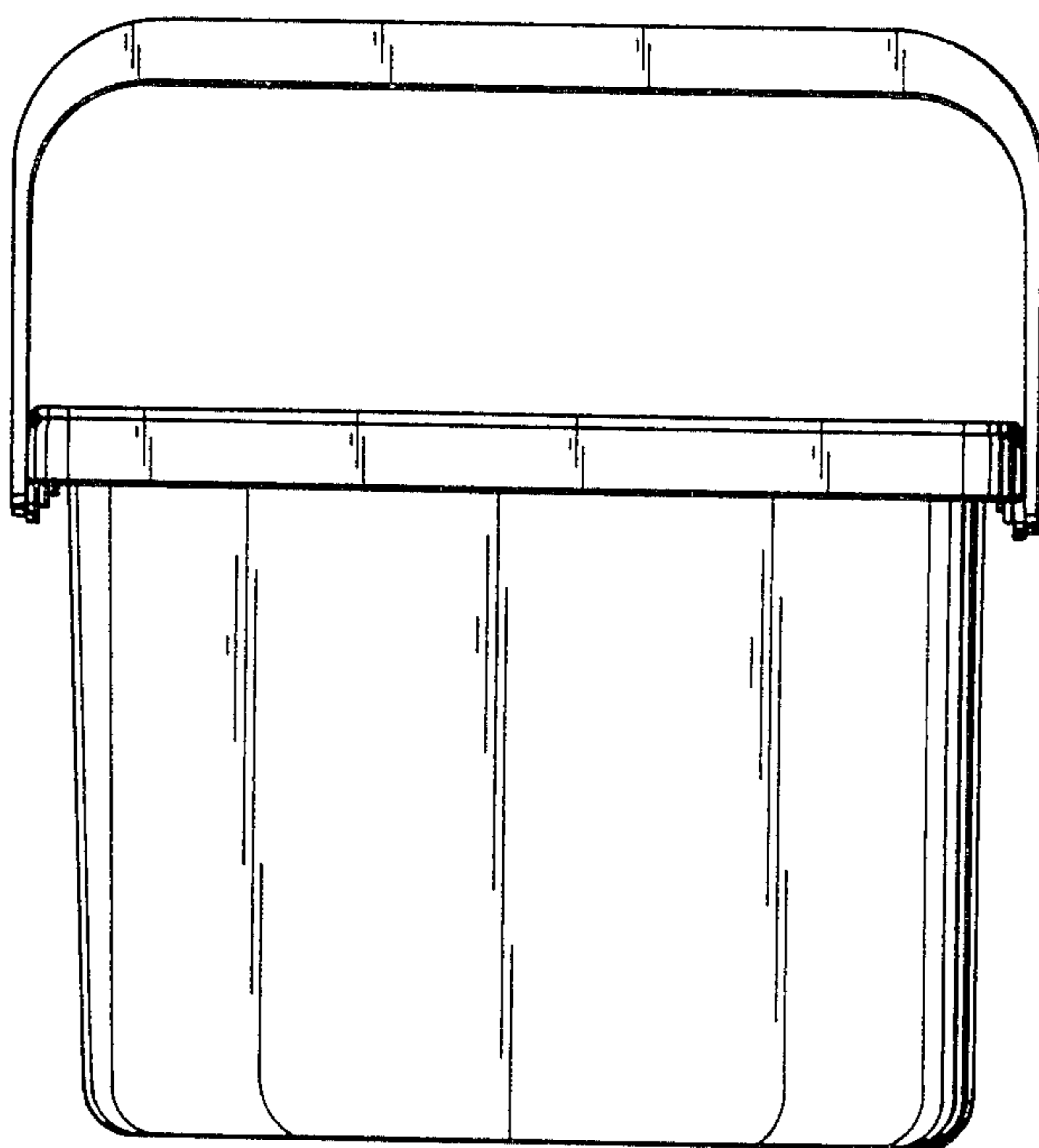


FIG. 6

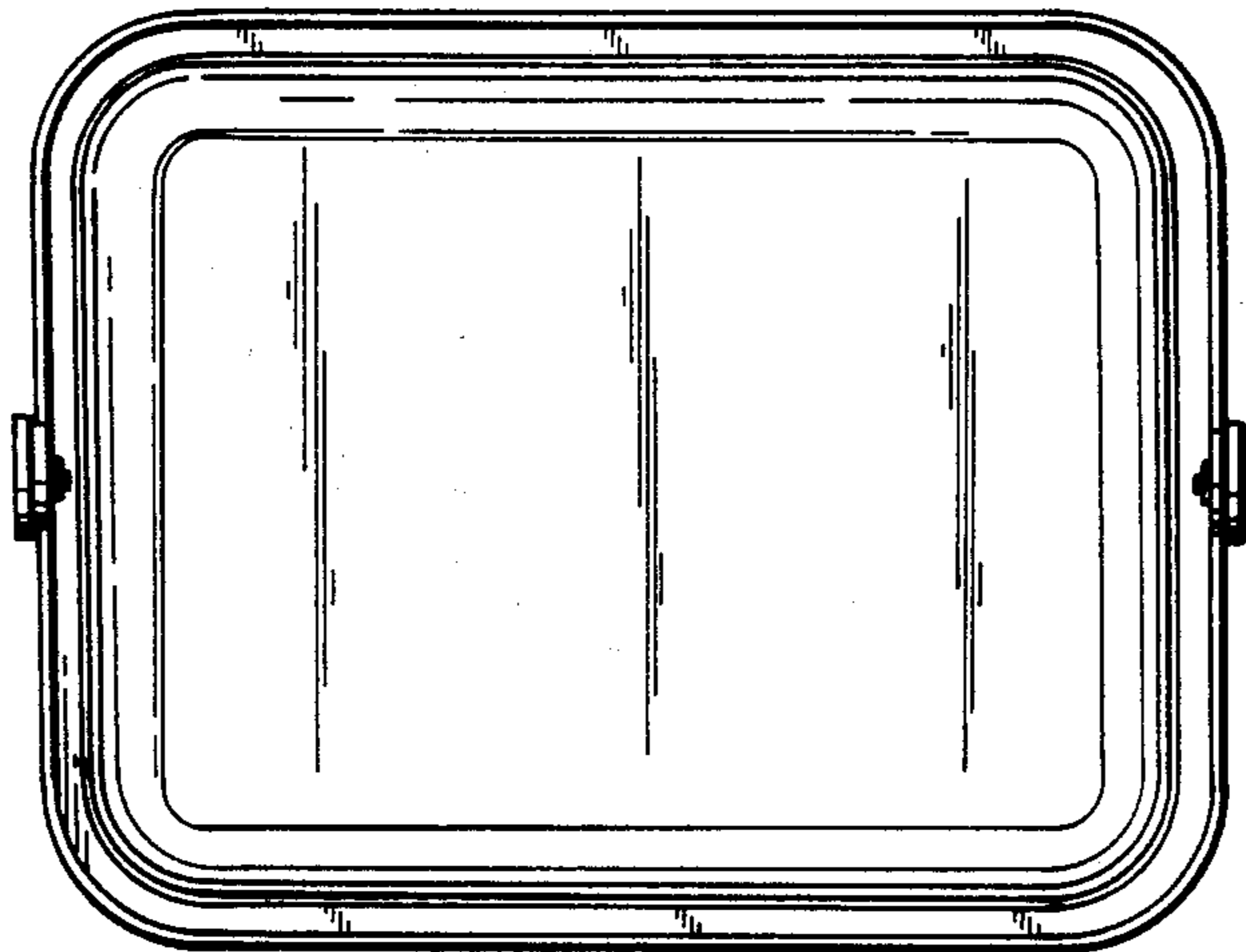


FIG. 7

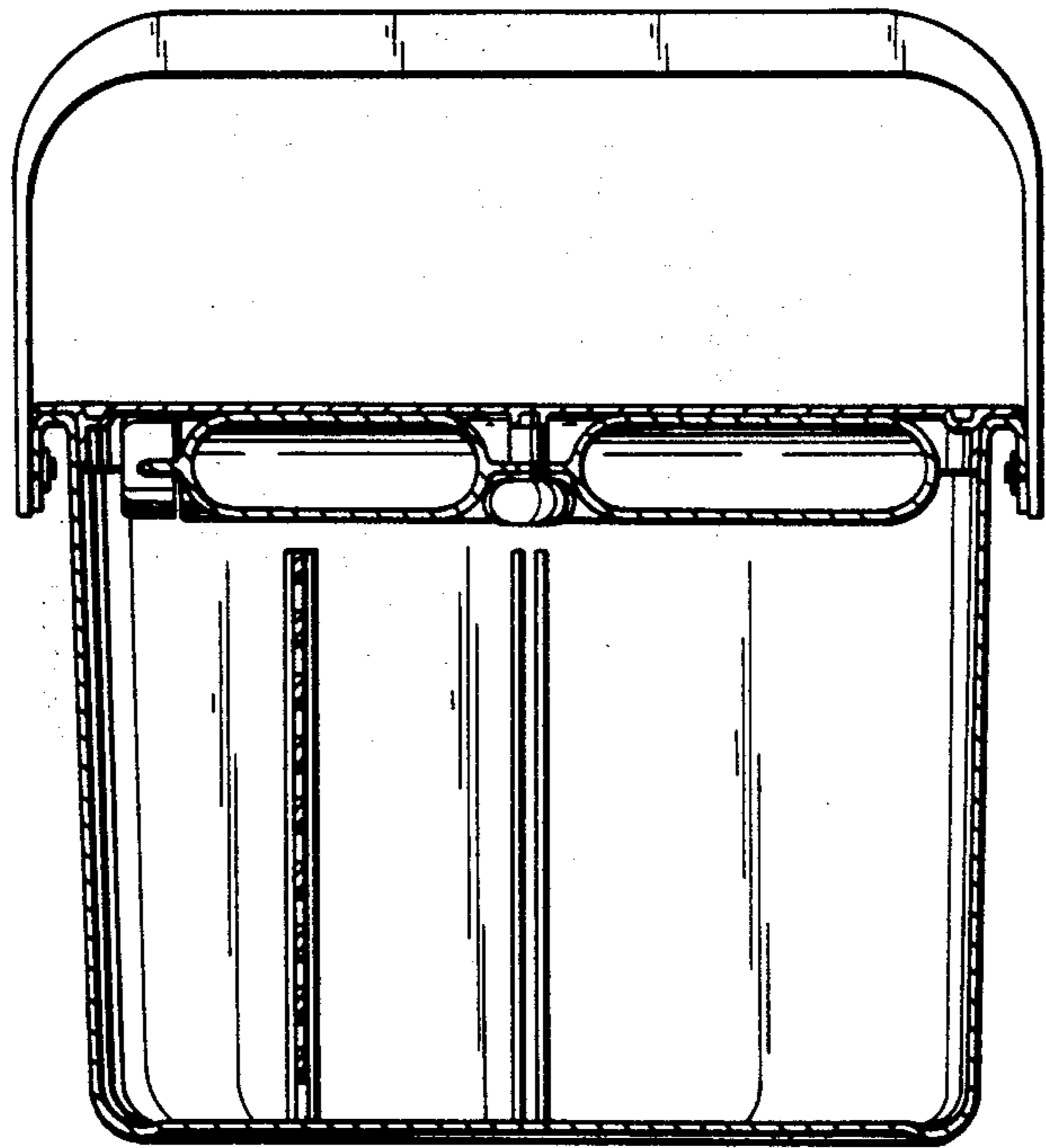


FIG. 8

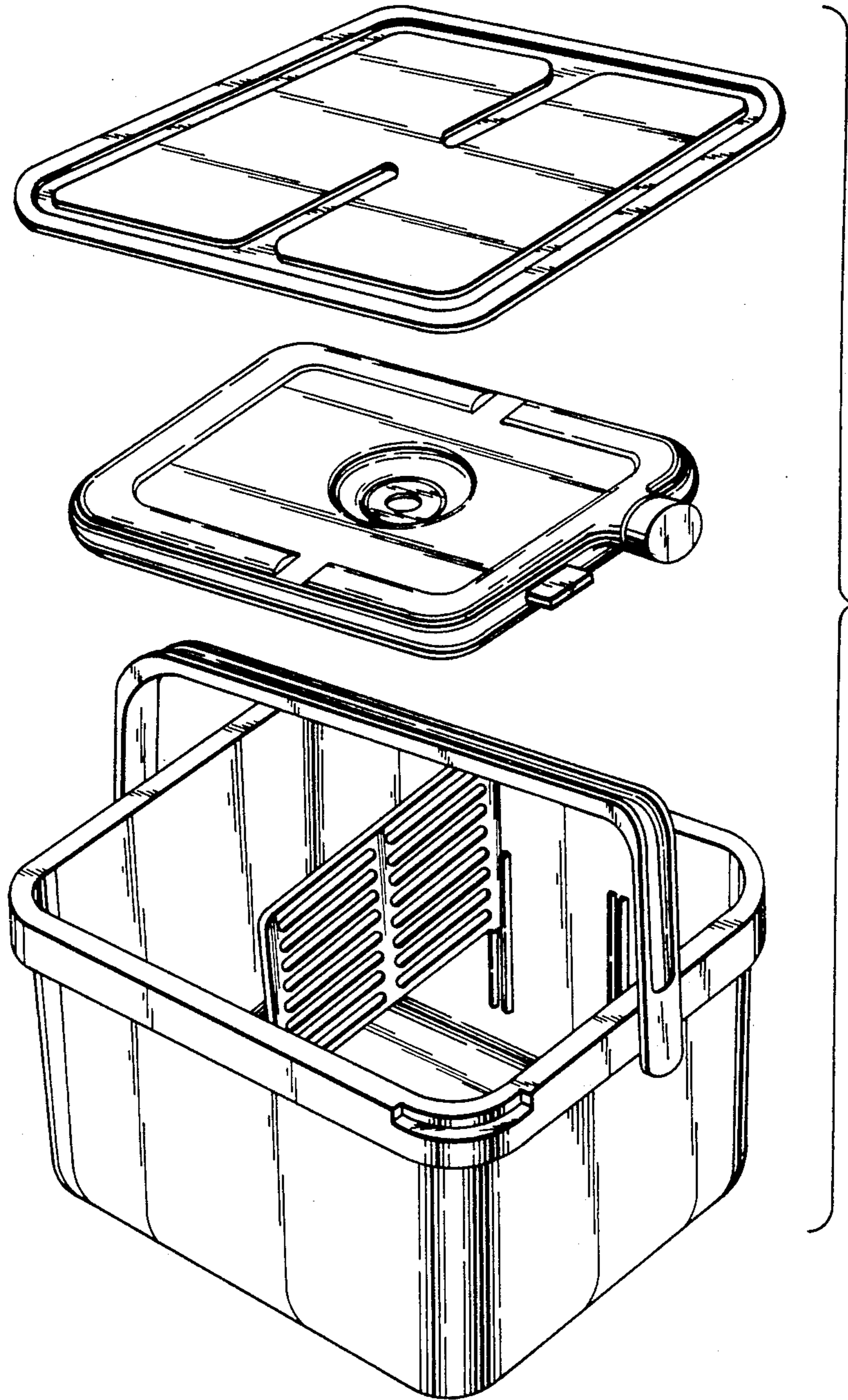


FIG. 9

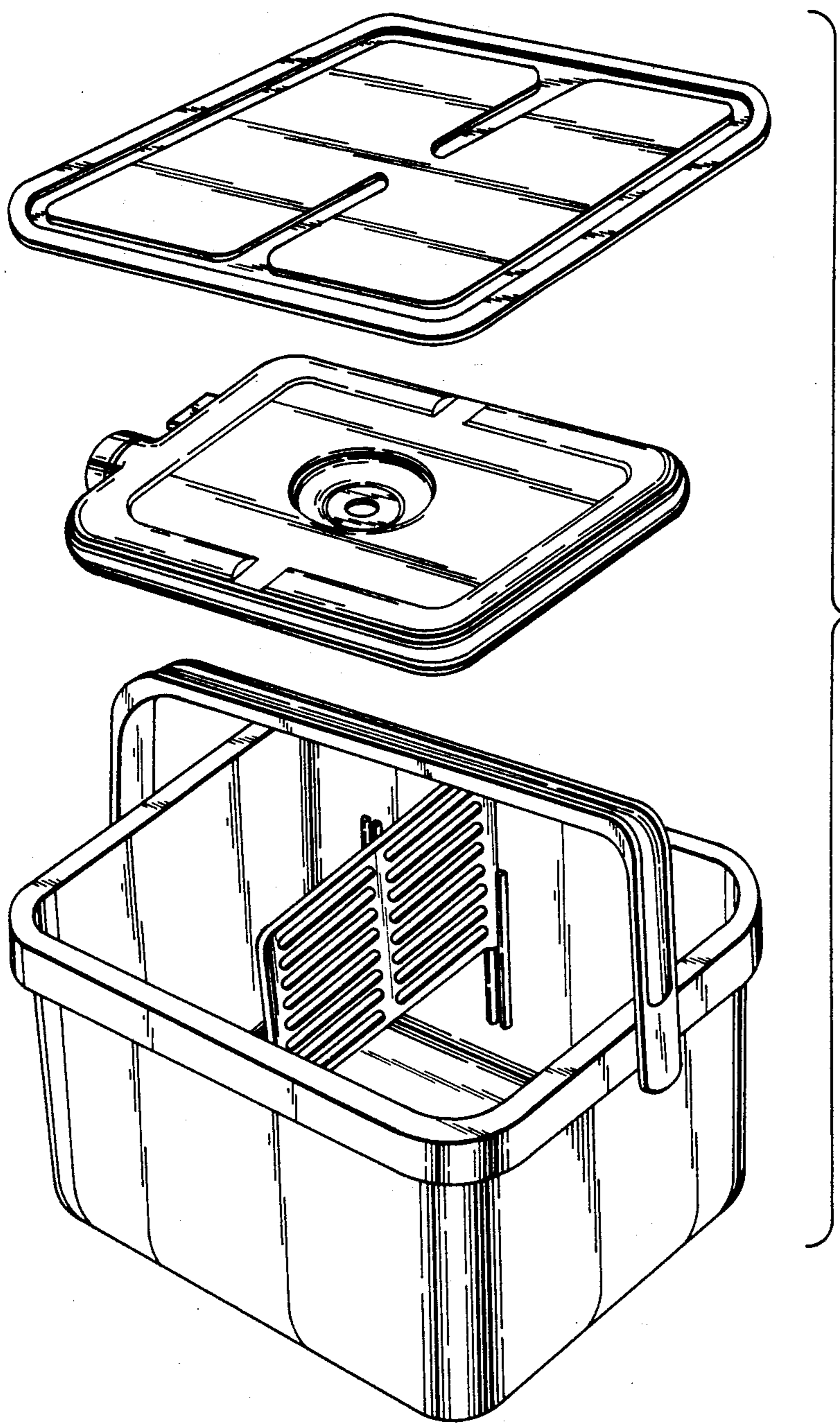


FIG. 10

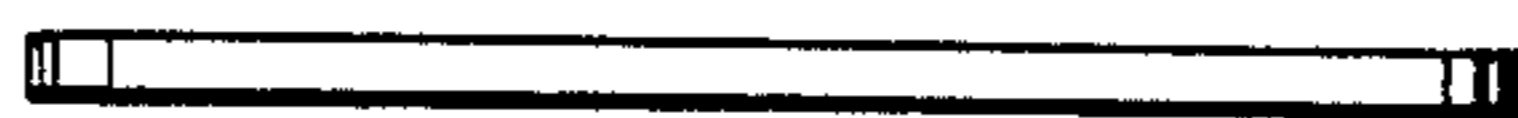


FIG. 11

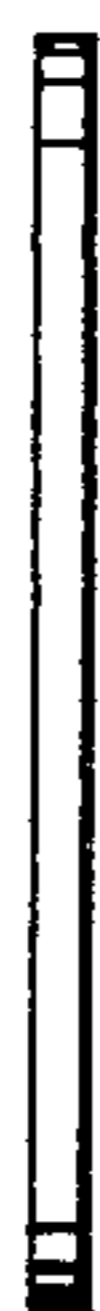


FIG. 14

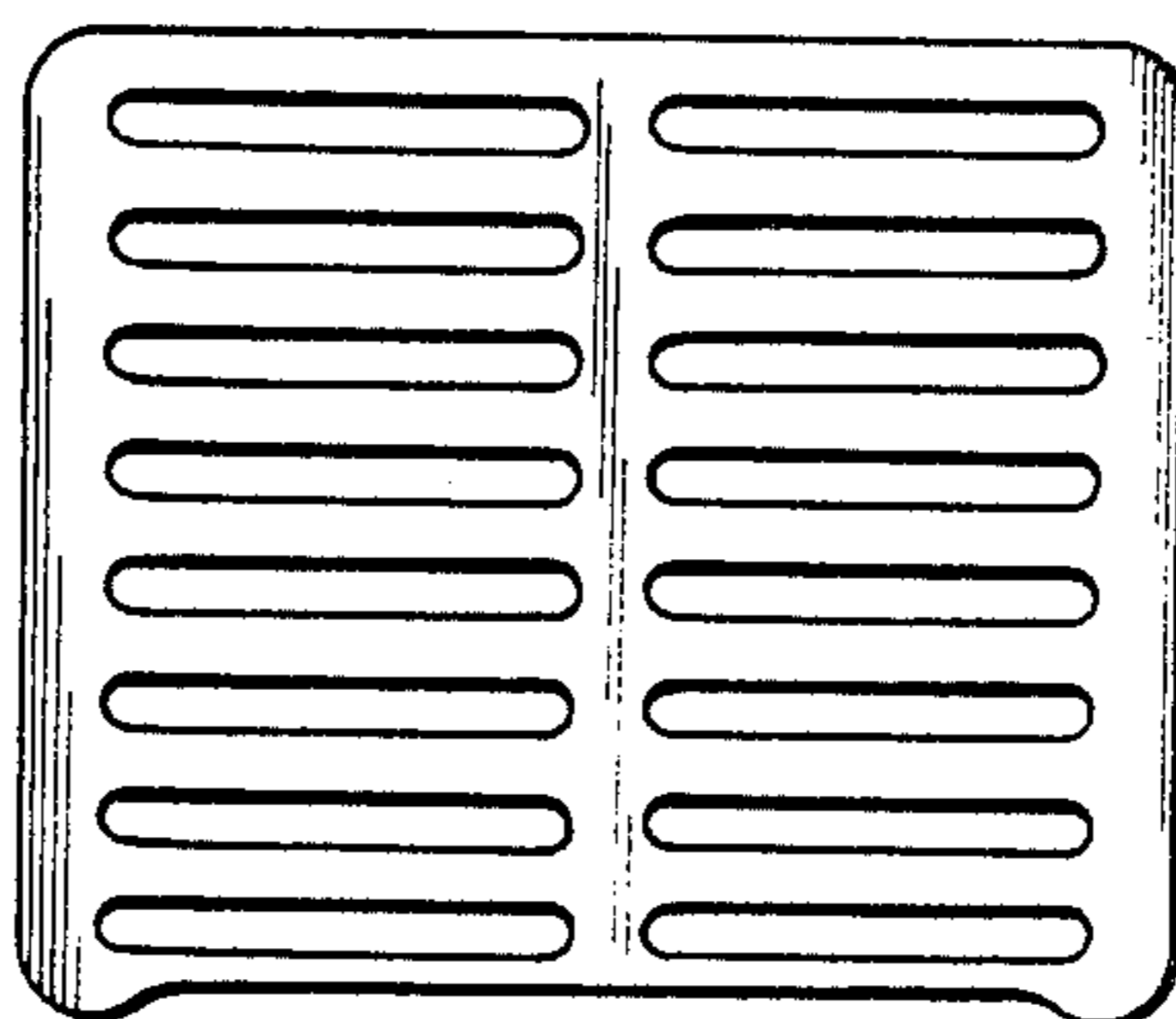


FIG. 12

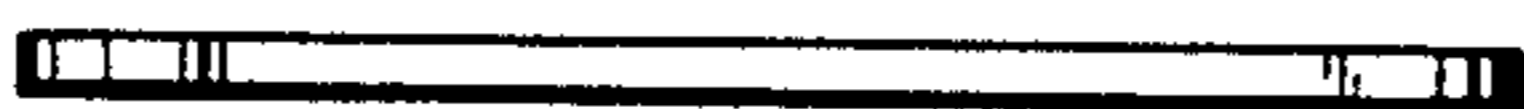


FIG. 13

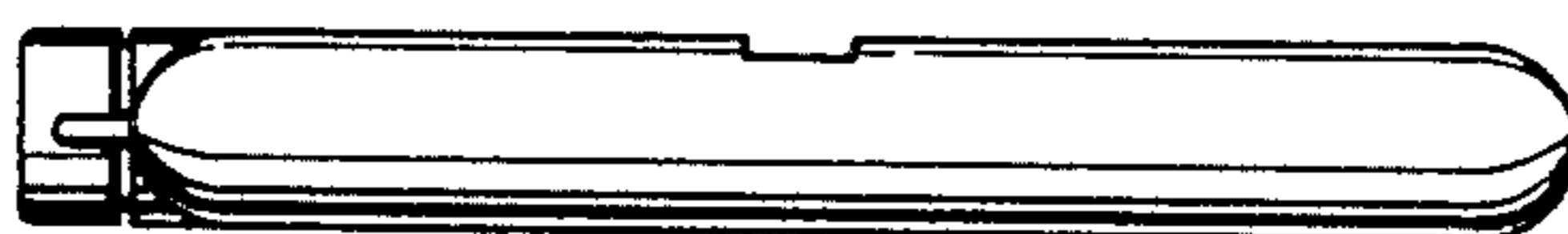


FIG. 15

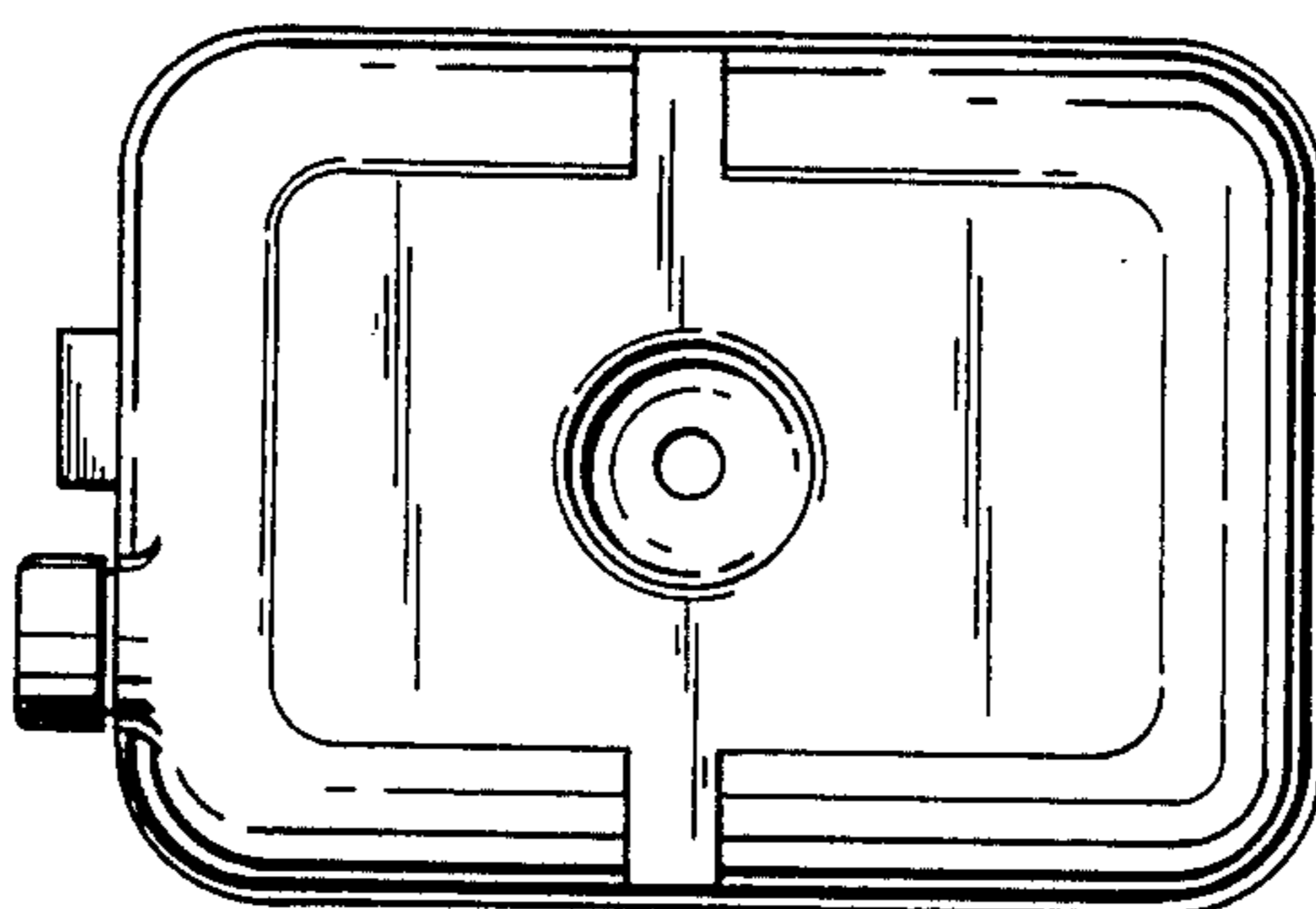


FIG. 16

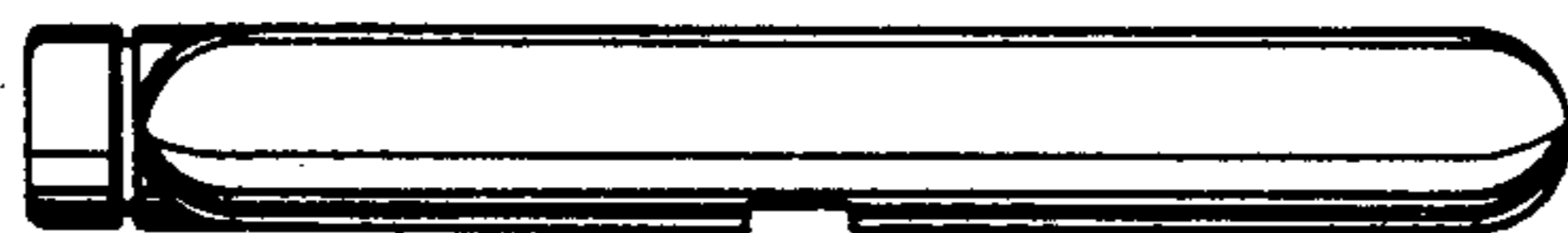


FIG. 17

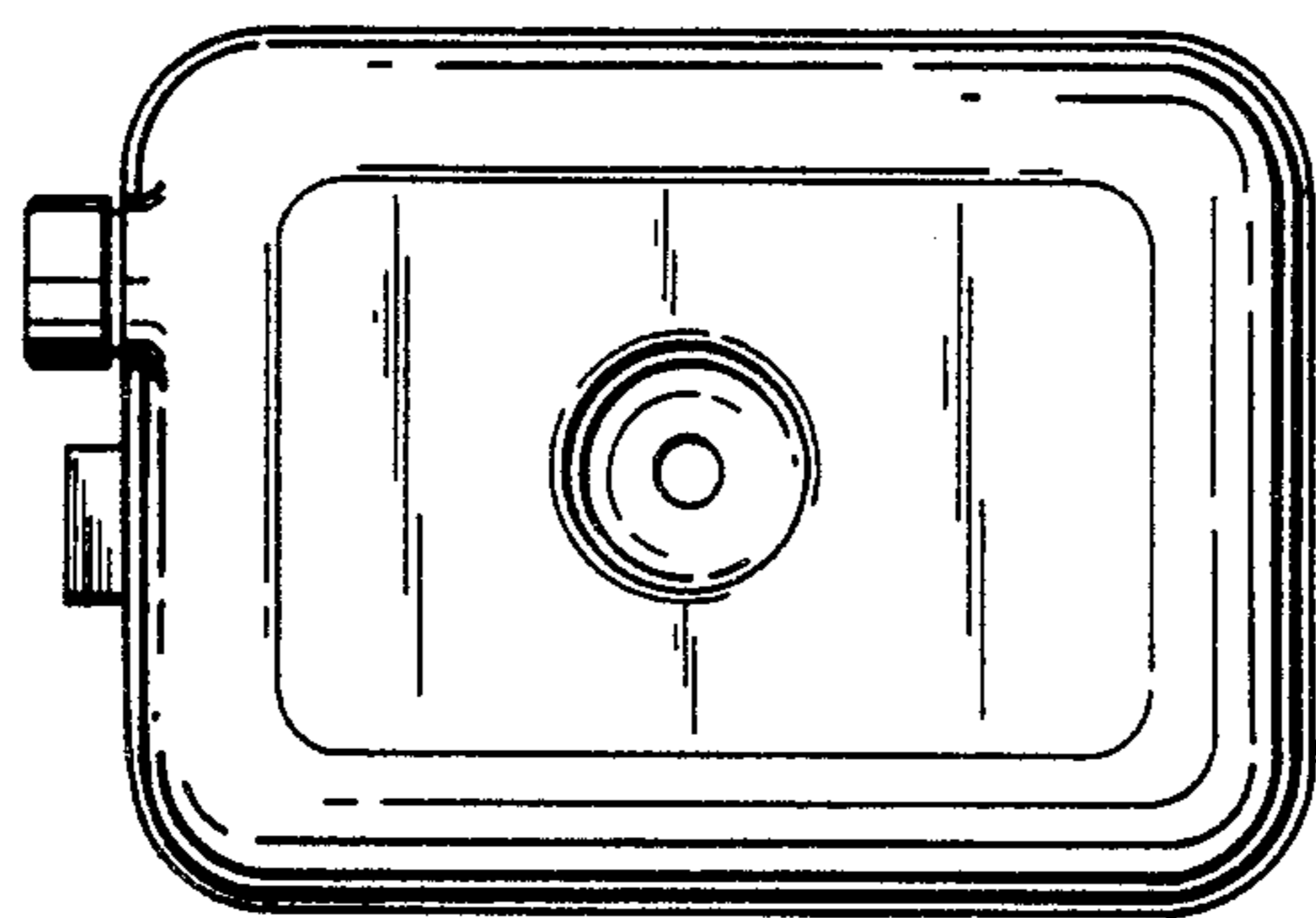


FIG. 18



FIG. 19

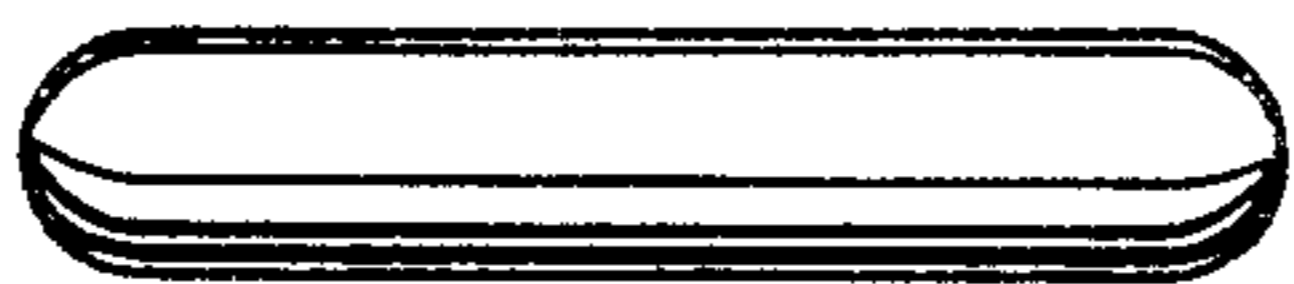


FIG. 20