

[54] LUNCH BOX

[75] Inventor: Arthur R. Carlson, East Malvern, Australia

[73] Assignee: The Decor Corporation Pty Ltd., Scoresby, Australia

[**] Term: 14 Years

[21] Appl. No.: 477,675

[22] Filed: Mar. 22, 1983

[30] Foreign Application Priority Data

Sep. 24, 1982 [AU]	Australia	1646/82
Sep. 24, 1982 [AU]	Australia	1648/82
Sep. 24, 1982 [AU]	Australia	1650/82

[52] U.S. Cl. D7/76

[58] Field of Search D7/76, 16, 78, 79; D9/425; 150/55; 206/545, 541, 549; 220/306, 352, 356, DIG. 10, 95, 94 R, 318

[56] References Cited

U.S. PATENT DOCUMENTS

D. 103,916	3/1937	Scurlock	D7/76
D. 220,448	4/1971	Swett	D7/76 X
D. 224,554	8/1972	Swett	D7/16
D. 250,987	2/1979	Stahel	D7/16 X
D. 270,418	9/1983	Conti	D7/79 X
2,396,346	3/1946	Roody, Jr.	D7/76 X
2,695,645	11/1954	Tupper	D7/76 X
2,780,259	2/1957	Nalle, Jr.	D7/76 X
3,351,227	11/1967	Collie	150/55 X
3,556,339	1/1971	Lind et al.	220/306

OTHER PUBLICATIONS

Good Housekeeping, 7-74, p. MA. 124C, Rectangular Superseal Container.

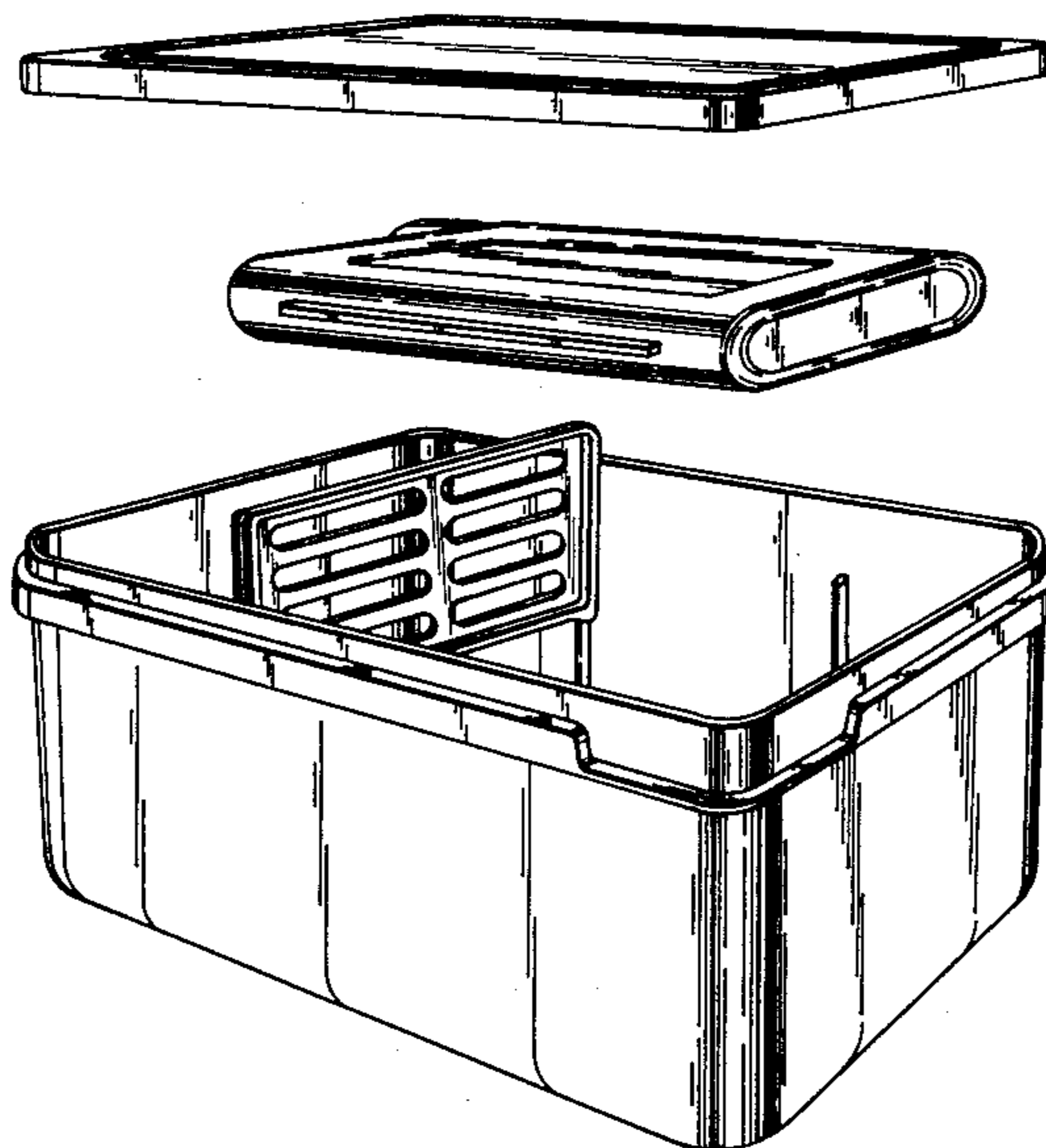
Primary Examiner—Bernard Ansher
Assistant Examiner—Linda Titolo
Attorney, Agent, or Firm—Walter H. Schneider

[57] CLAIM

The ornamental design for a lunch box, as shown.

DESCRIPTION

FIG. 1 is a top front right side perspective view of a lunch box, showing my new design;
 FIG. 2 is a top plan view thereof;
 FIG. 3 is a right side elevational view thereof;
 FIG. 4 is a front elevational view thereof;
 FIG. 5 is a left side elevational view thereof;
 FIG. 6 is a rear elevational view thereof;
 FIG. 7 is a bottom plan view thereof;
 FIG. 8 is a cross sectional view thereof, taken on the line 8—8 of FIG. 2;
 FIG. 9 is an exploded top front perspective view thereof, showing the vacuum bottle and divider members;
 FIG. 10 is an exploded top rear perspective view thereof;
 FIG. 11 is a top plan view of the divider members of FIG. 9 shown separately for clarity of illustration;
 FIG. 12 is a front elevational view thereof, the rear elevational view being a mirror image thereof;
 FIG. 13 is a bottom plan view thereof;
 FIG. 14 is a side elevational view thereof, the opposite side being a mirror image thereof;
 FIG. 15 is a front elevational view of the vacuum bottle member of FIG. 9 shown separately for clarity of illustration;
 FIG. 16 is a top plan view thereof, the bottom plan view being a mirror image thereof;
 FIG. 17 is a rear elevational view thereof;
 FIG. 18 is a left side elevational view thereof; and
 FIG. 19 is a right side elevational view thereof.



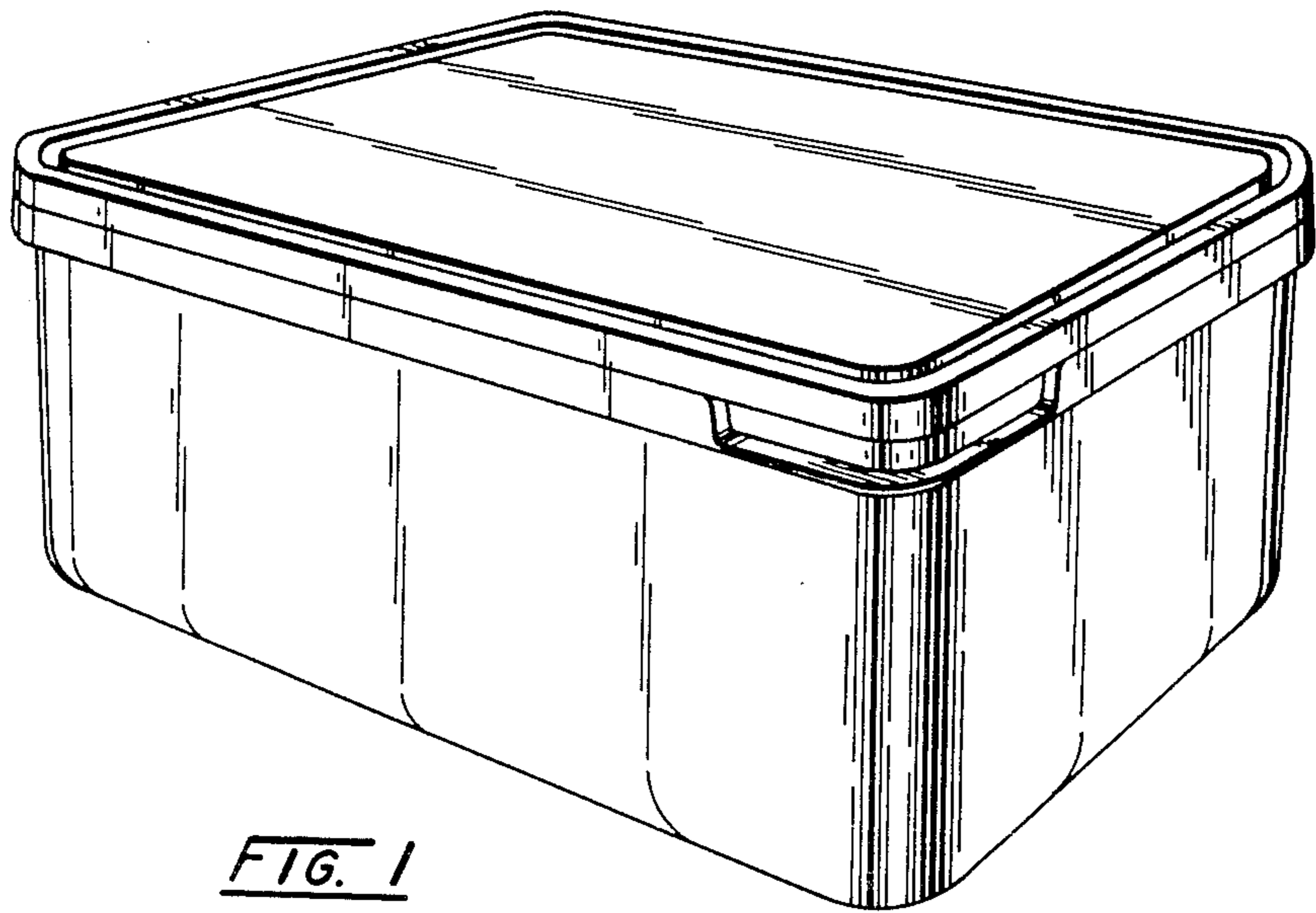


FIG. 1

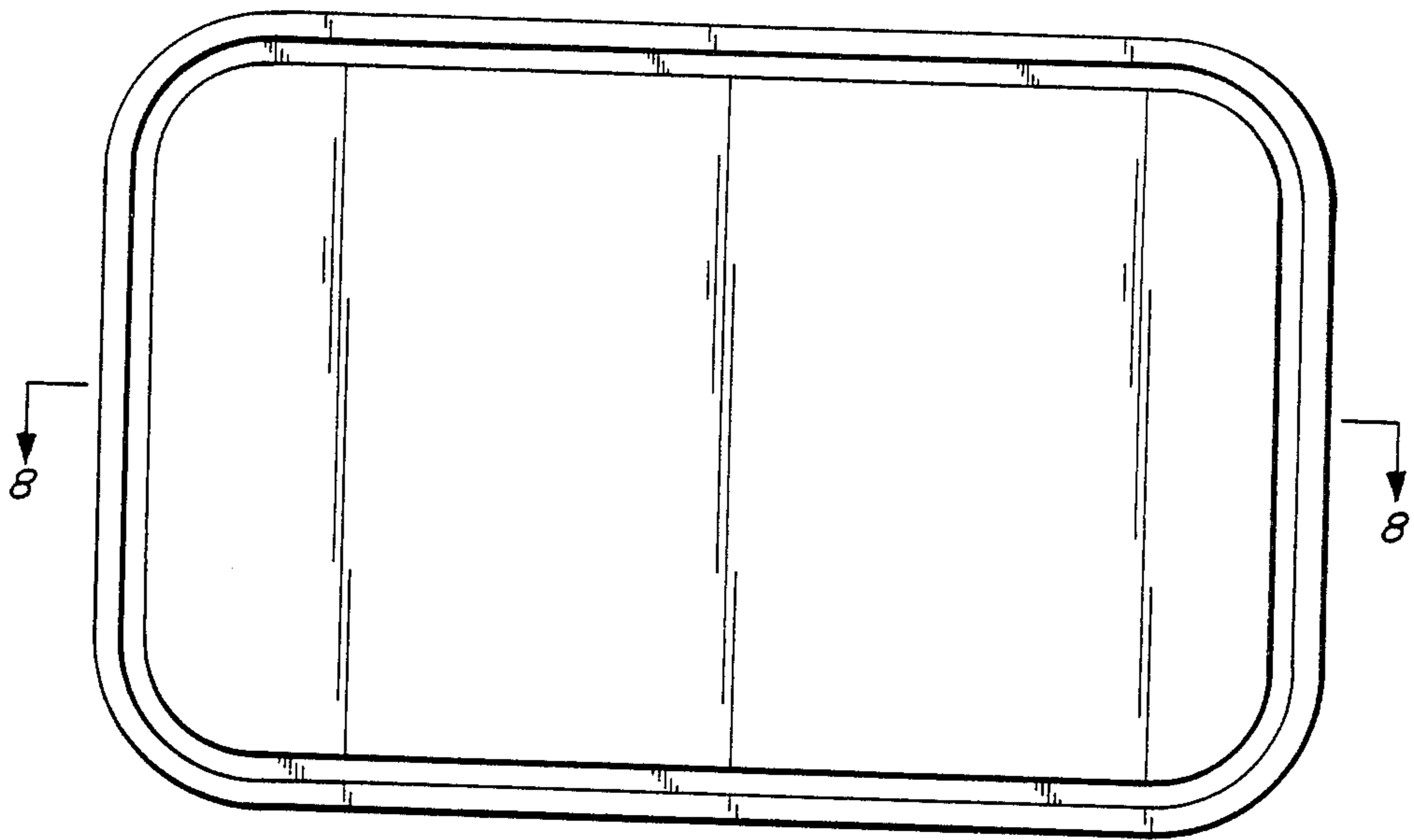


FIG. 2

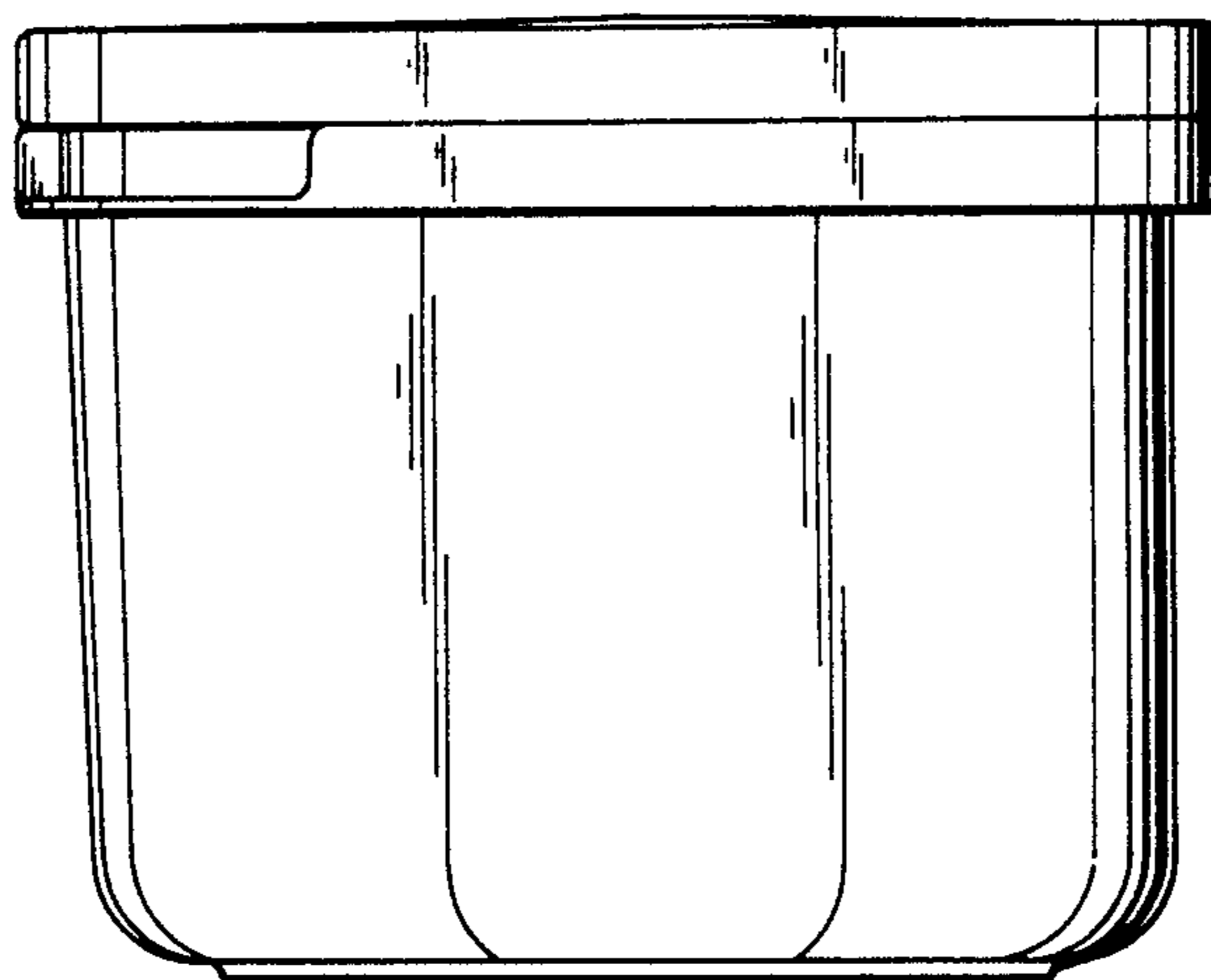


FIG. 3

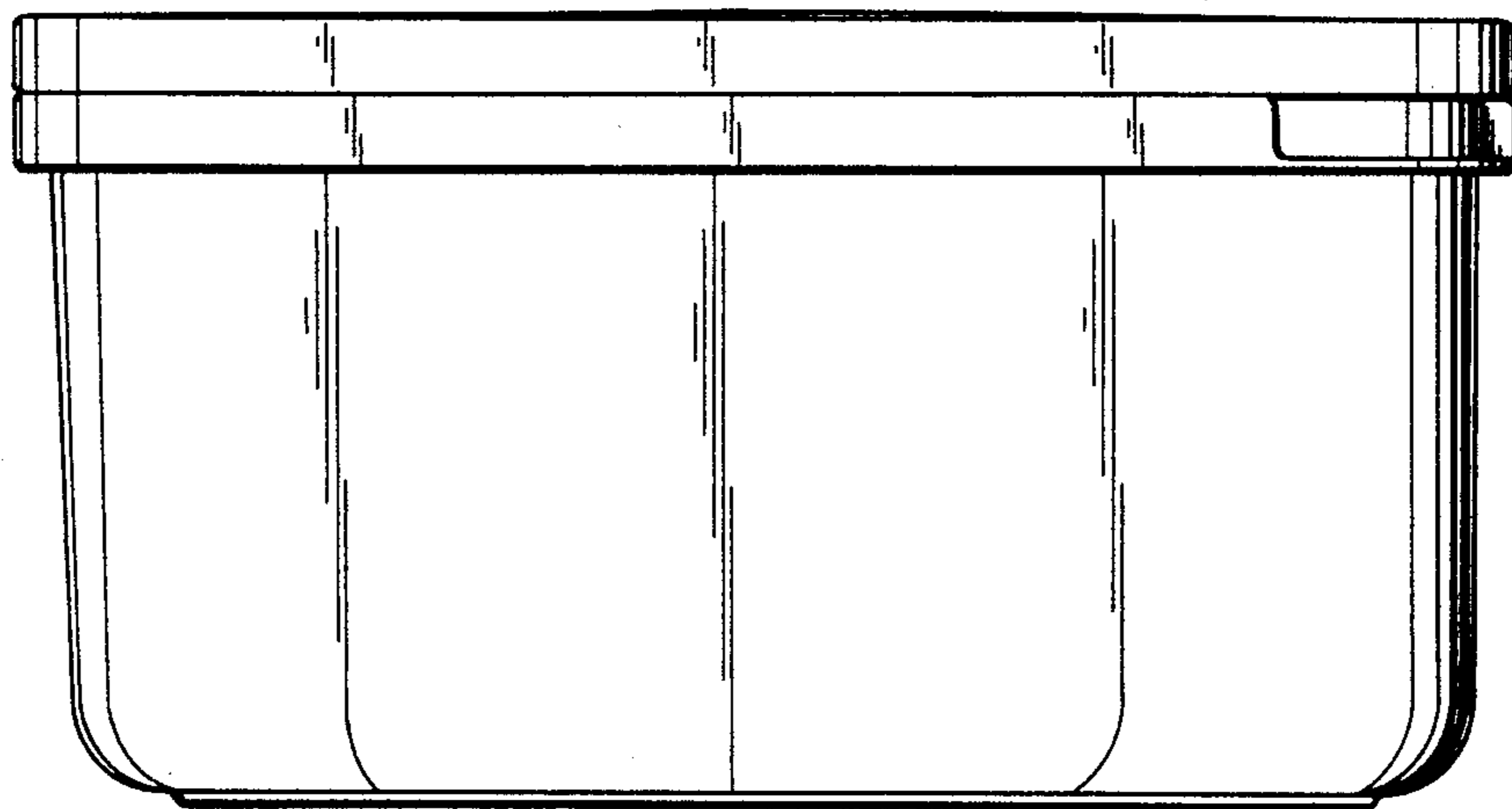


FIG. 4

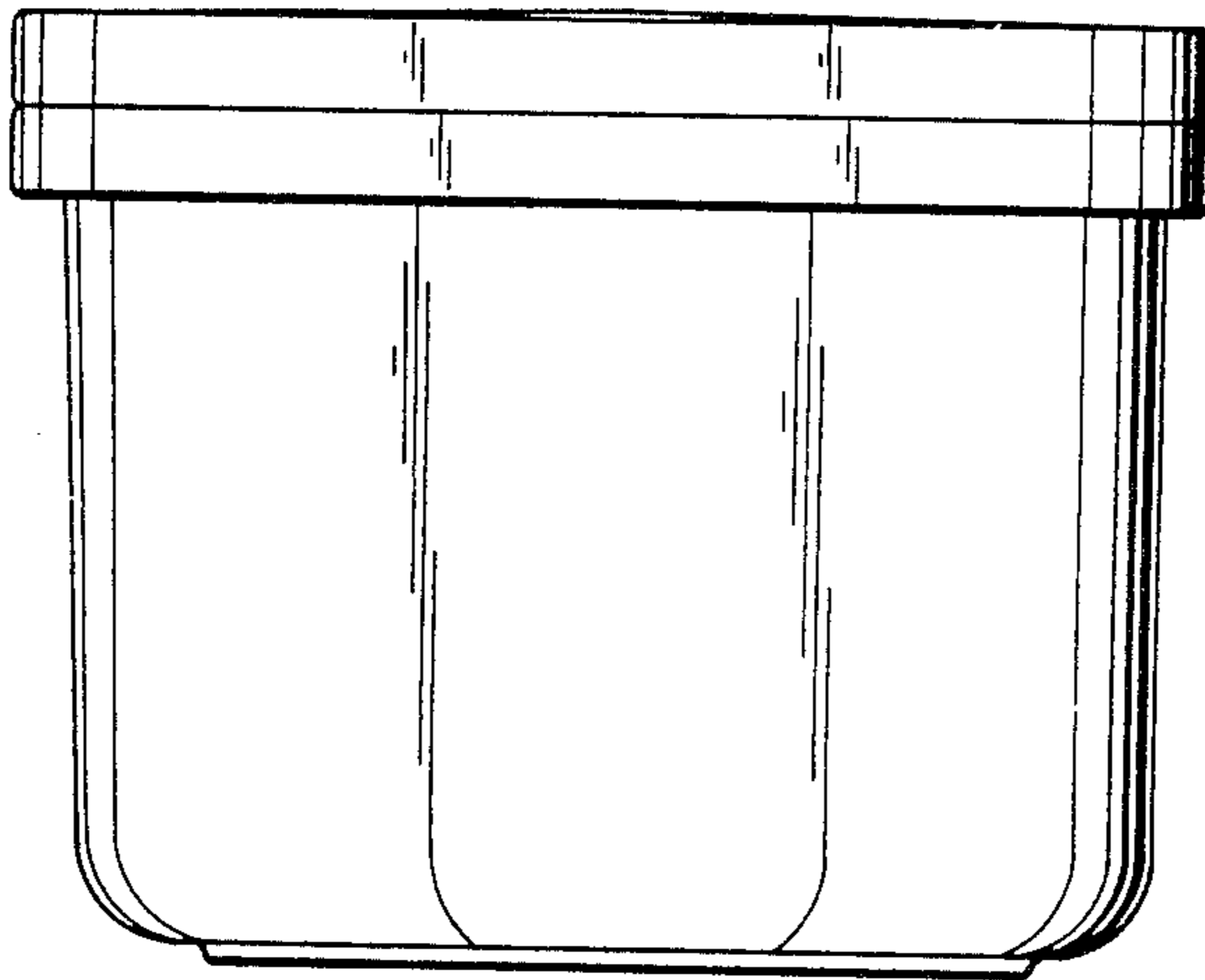


FIG. 5

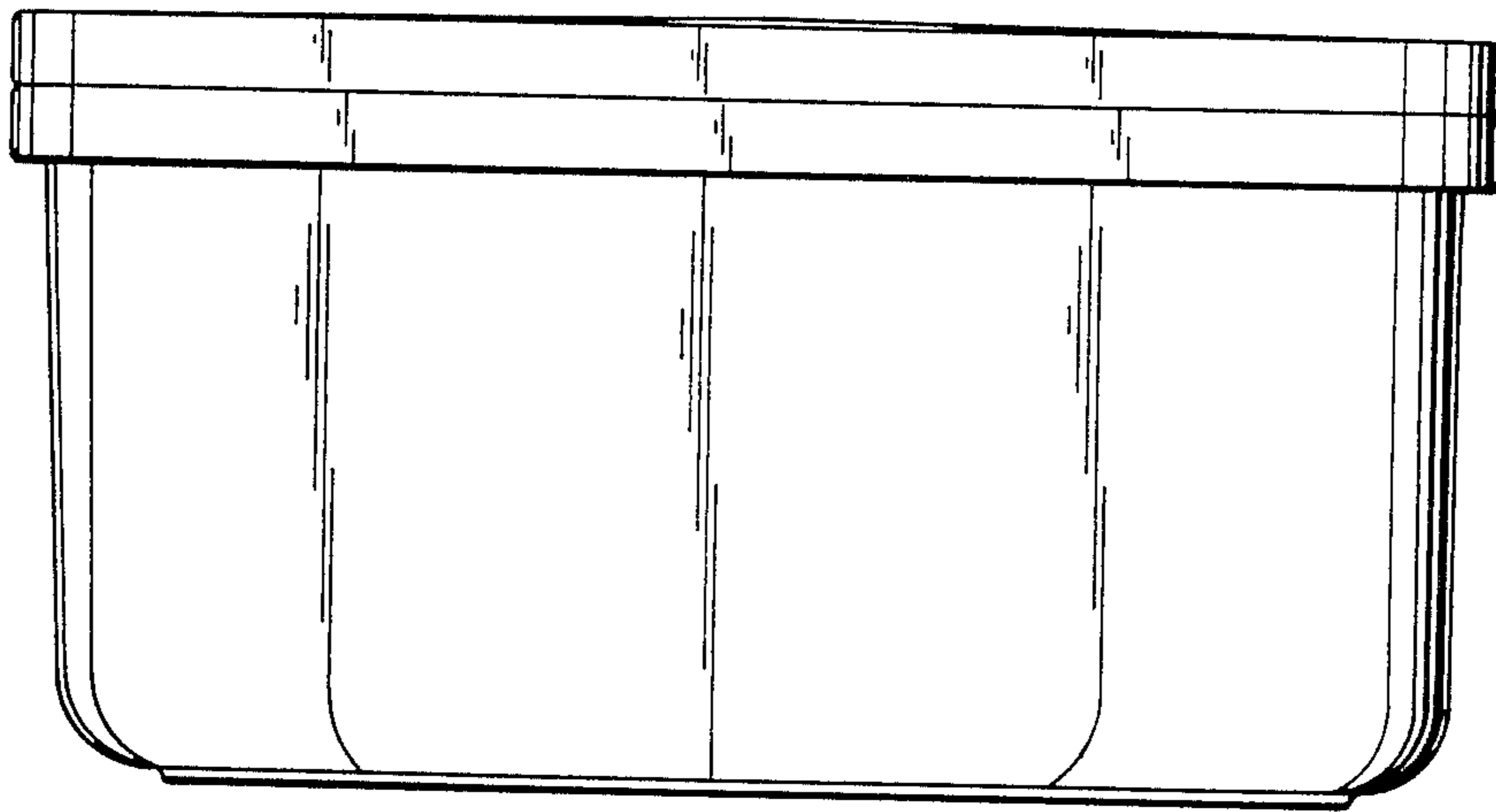


FIG. 6

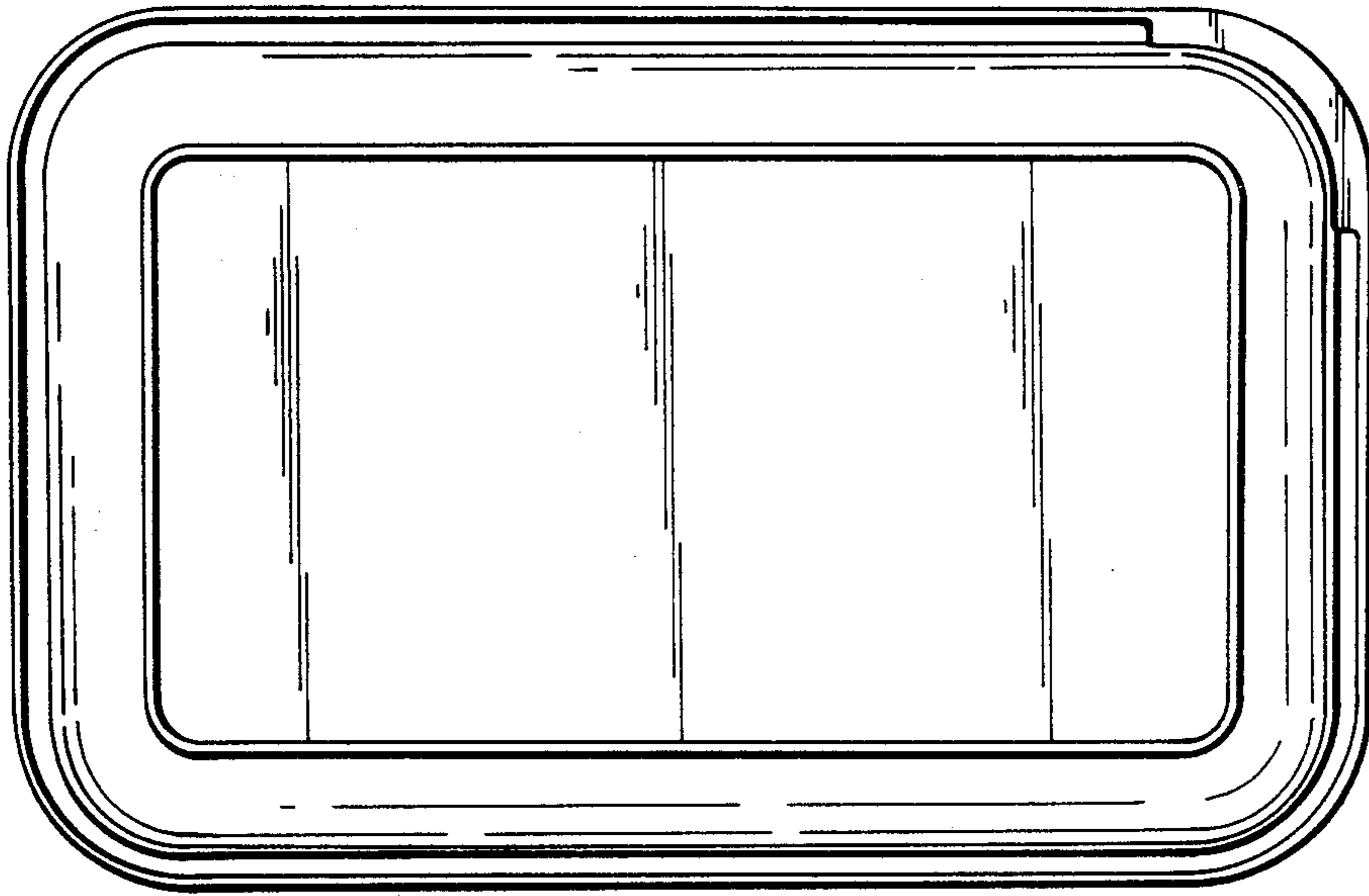


FIG. 7

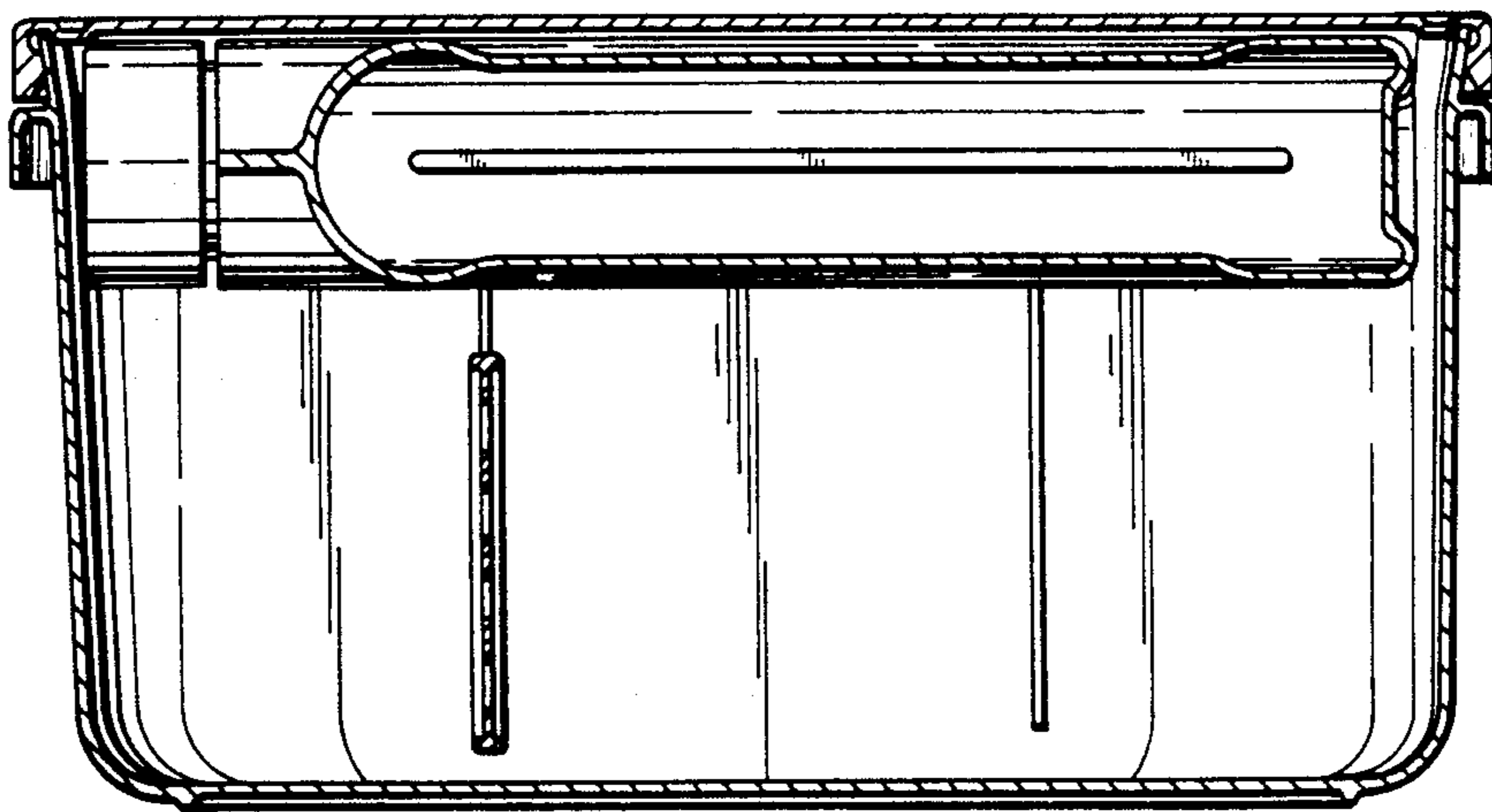


FIG. 8

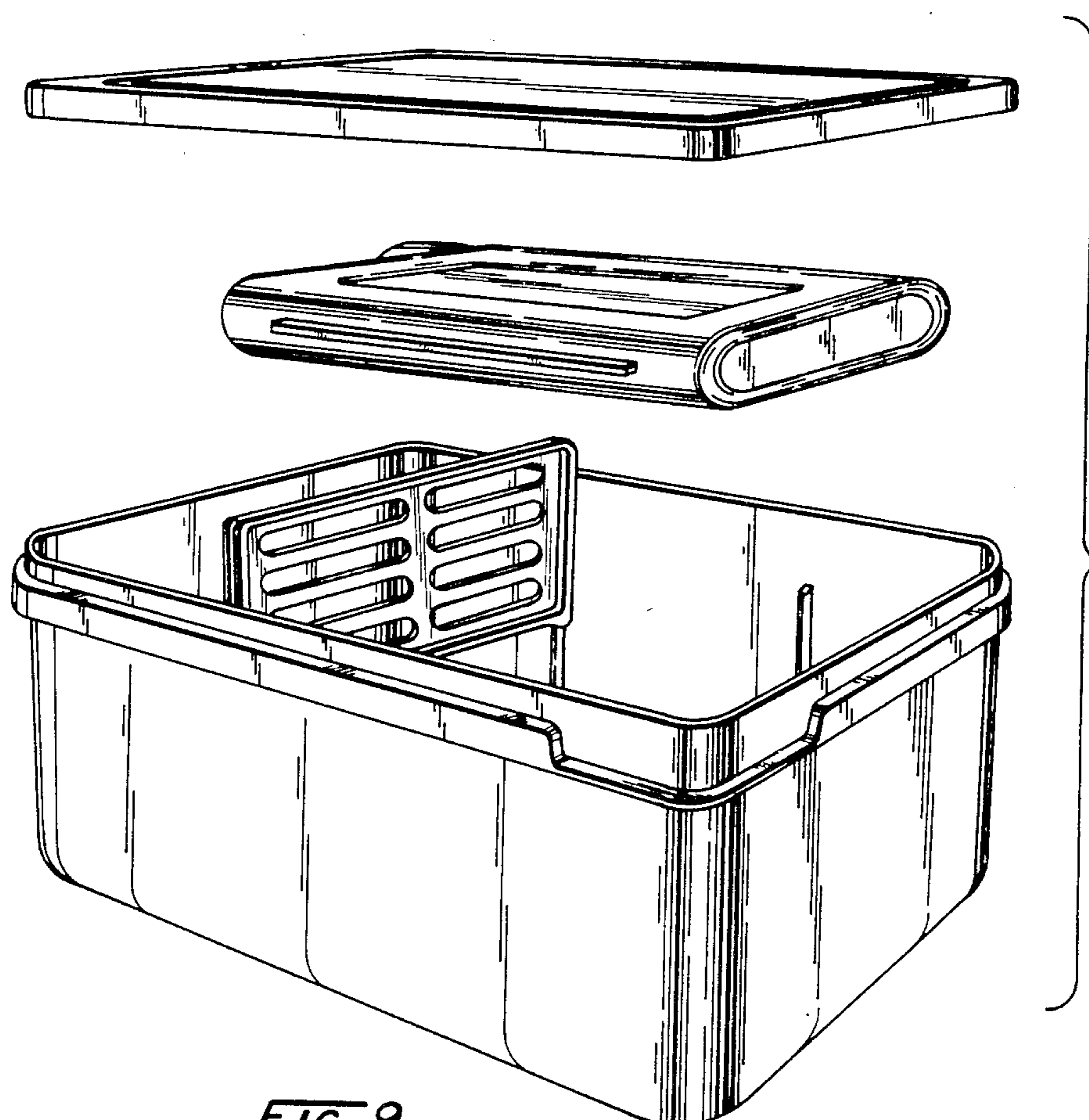


FIG. 9

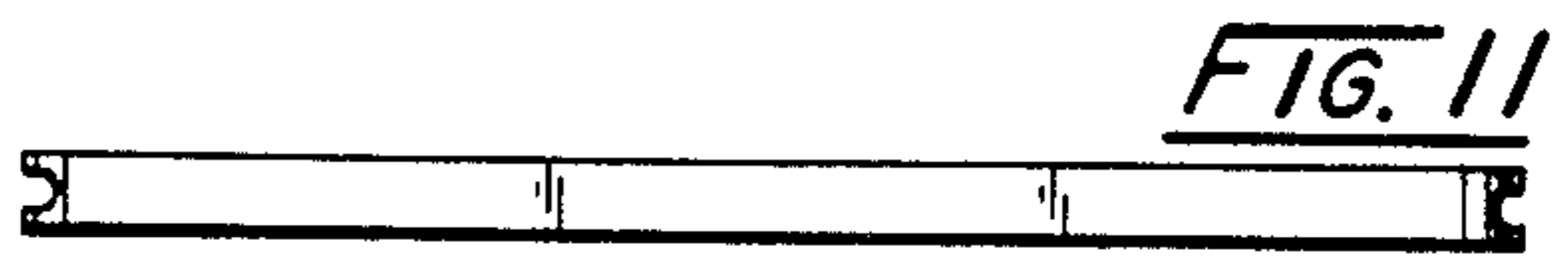


FIG. 11



FIG. 14

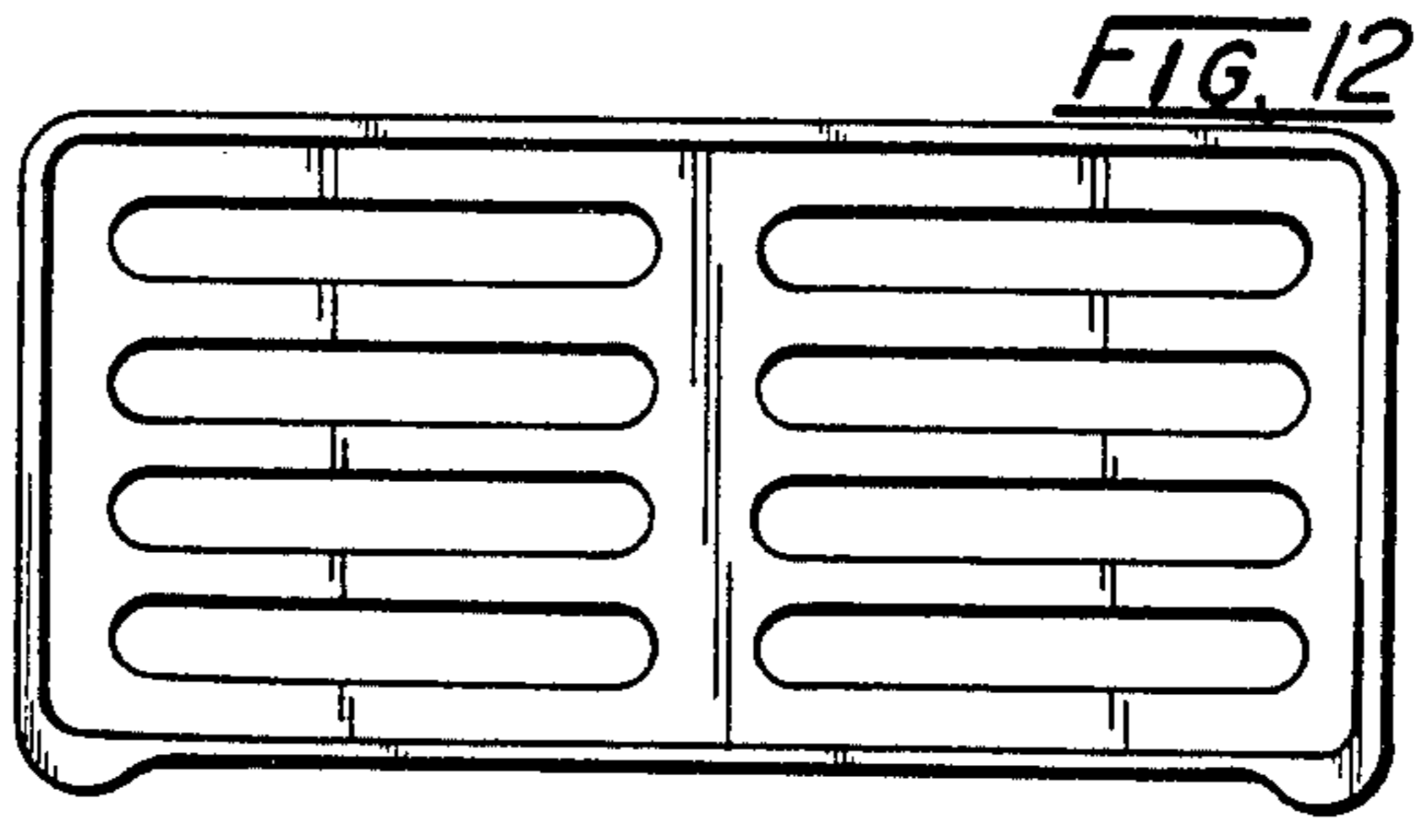


FIG. 12

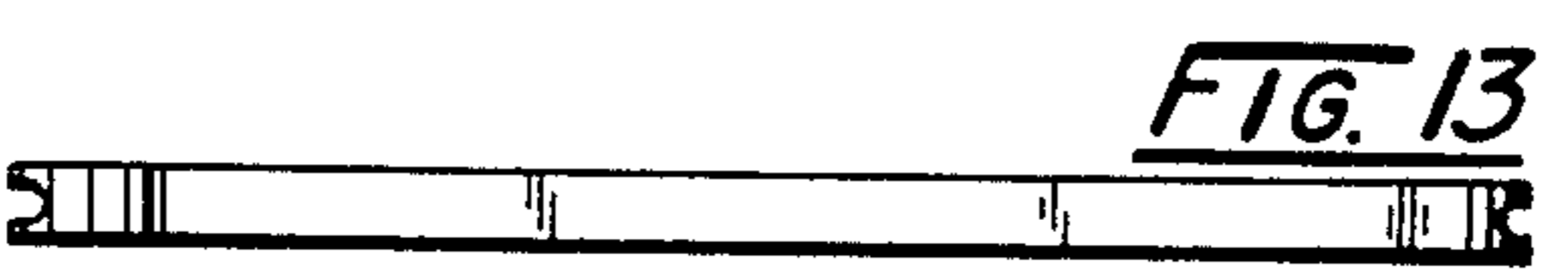


FIG. 13

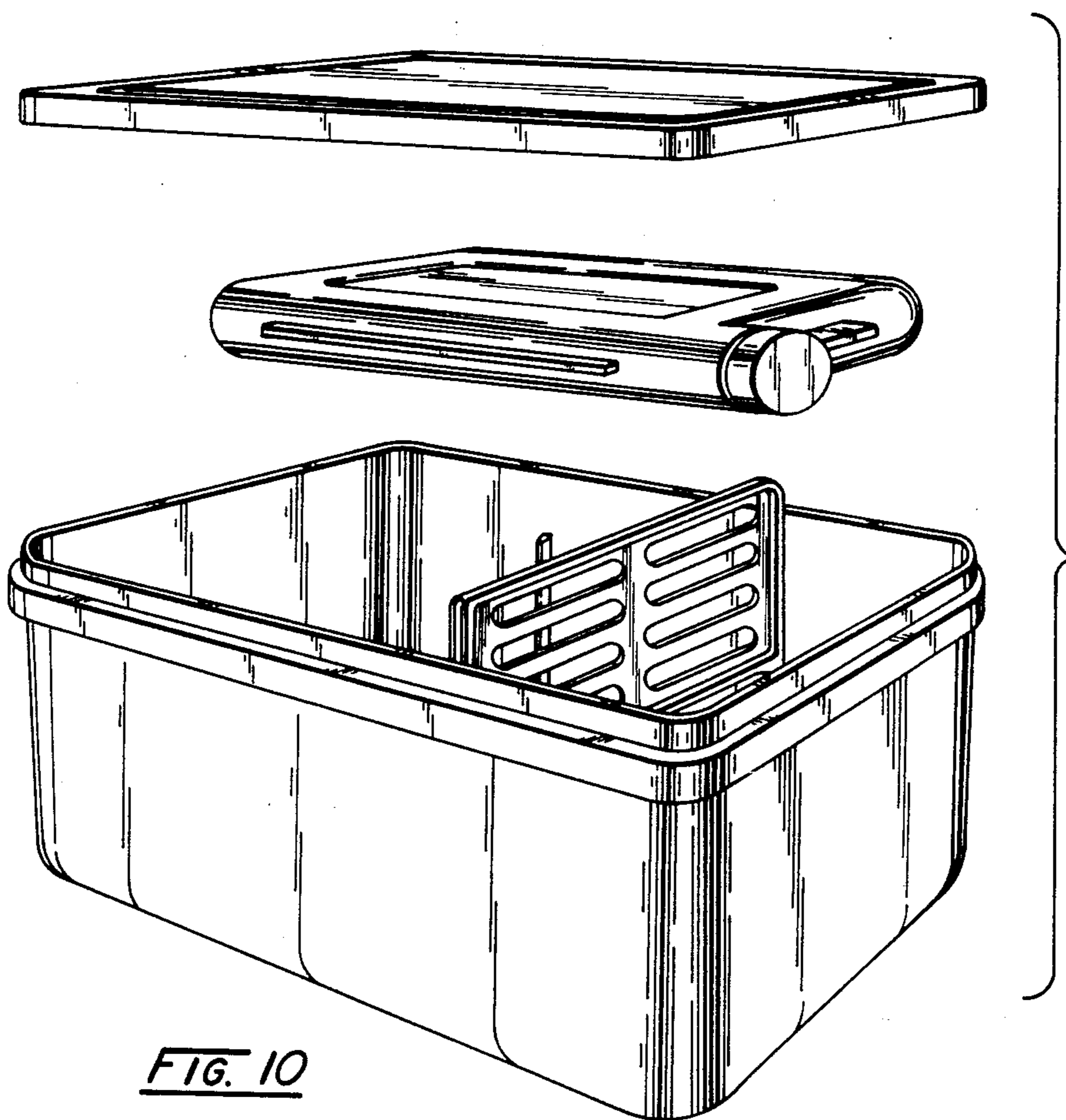


FIG. 10

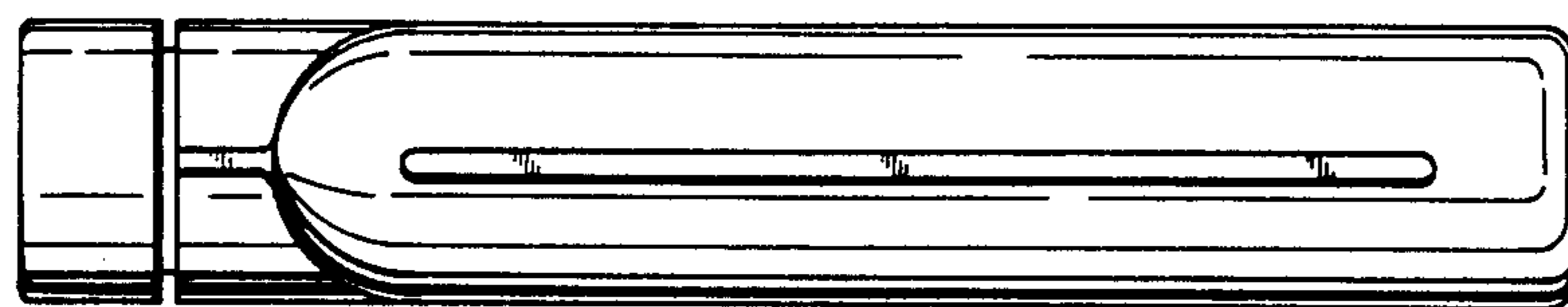


FIG. 15

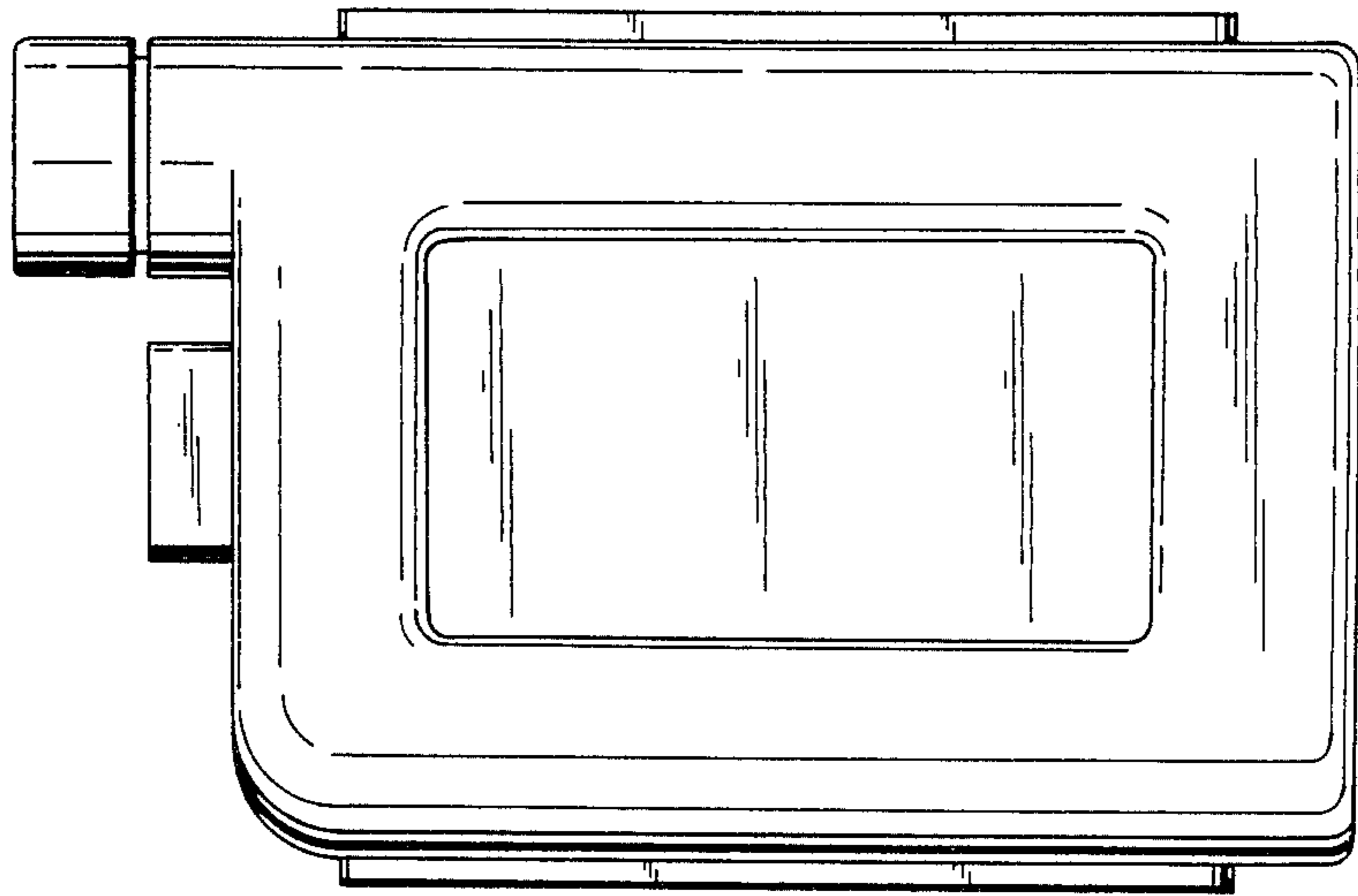


FIG. 16

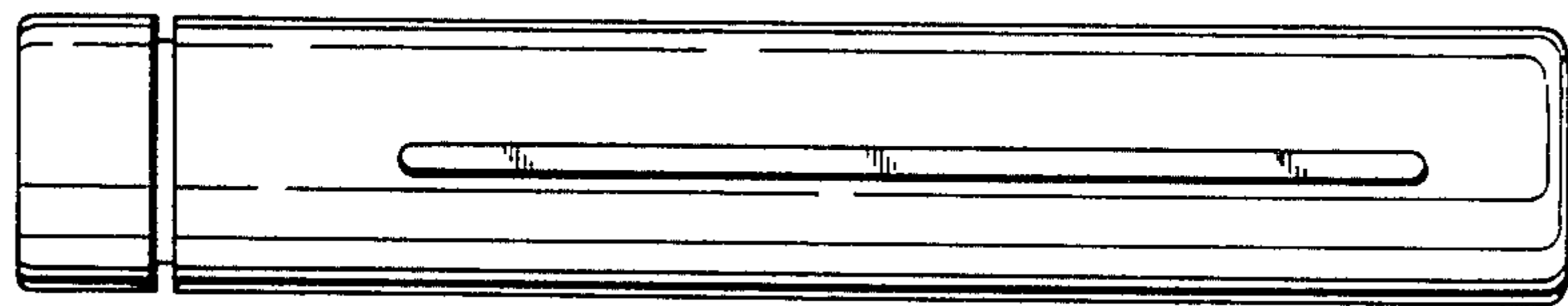


FIG. 17

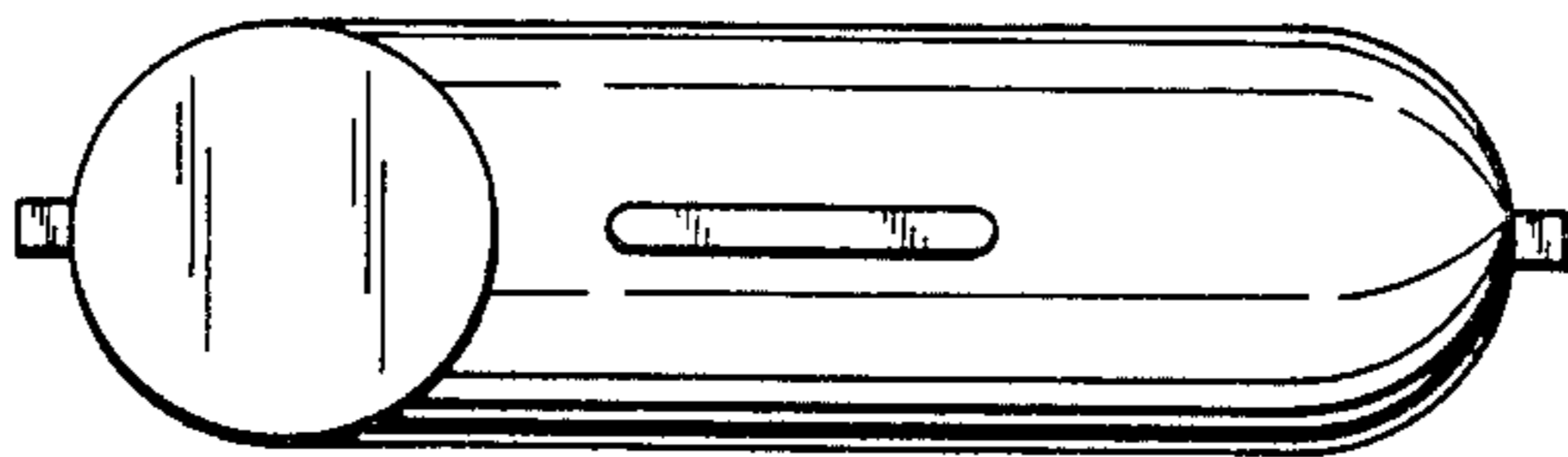


FIG. 18

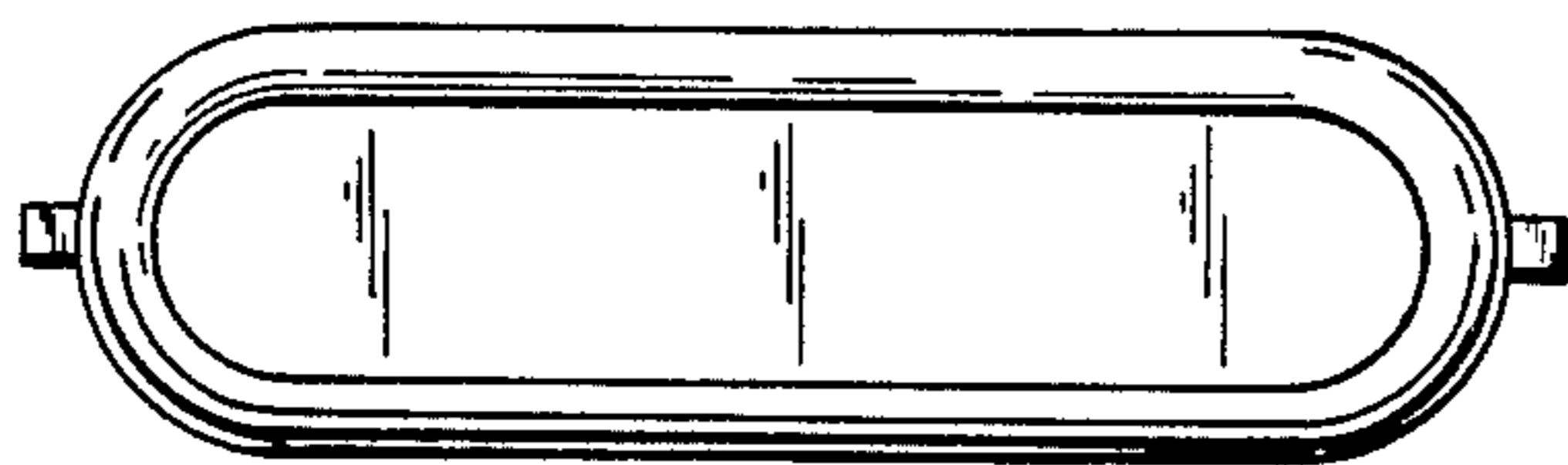


FIG. 19