

United States Patent [19]

Stricker

[11] Patent Number: **Des. 284,251**

[45] Date of Patent: **** Jun. 17, 1986**

[54] **BUTTER STAMP OR THE LIKE**

[75] Inventor: **David J. Stricker, Salem, Mass.**

[73] Assignee: **Dart & Kraft, Inc., Northbrook, Ill.**

[**] Term: **14 Years**

[21] Appl. No.: **571,017**

[22] Filed: **Jan. 16, 1984**

[52] U.S. Cl. **D7/43**

[58] Field of Search **D7/43, 99, 84; D18/15, D18/16, 18; 425/304, 469, 406, 412; 249/117, 140; 99/388; D1/114**

[56] **References Cited**

U.S. PATENT DOCUMENTS

D. 14,102 7/1883 Oyster D7/43
D. 29,302 9/1898 Brandt D7/43
2,312,511 3/1943 Weinberg 425/304

3,433,152 3/1969 Mullen et al. 425/398 X
3,531,863 10/1970 Sandborn et al. 30/316 X

Primary Examiner—Bernard Ansher

Assistant Examiner—Terry Pfeffer

Attorney, Agent, or Firm—A. Lewis Worthem

[57] **CLAIM**

The ornamental design for a butter stamp or the like, substantially as shown.

DESCRIPTION

FIG. 1 is a top, front, left side perspective view of a butter stamp or the like showing my new design;

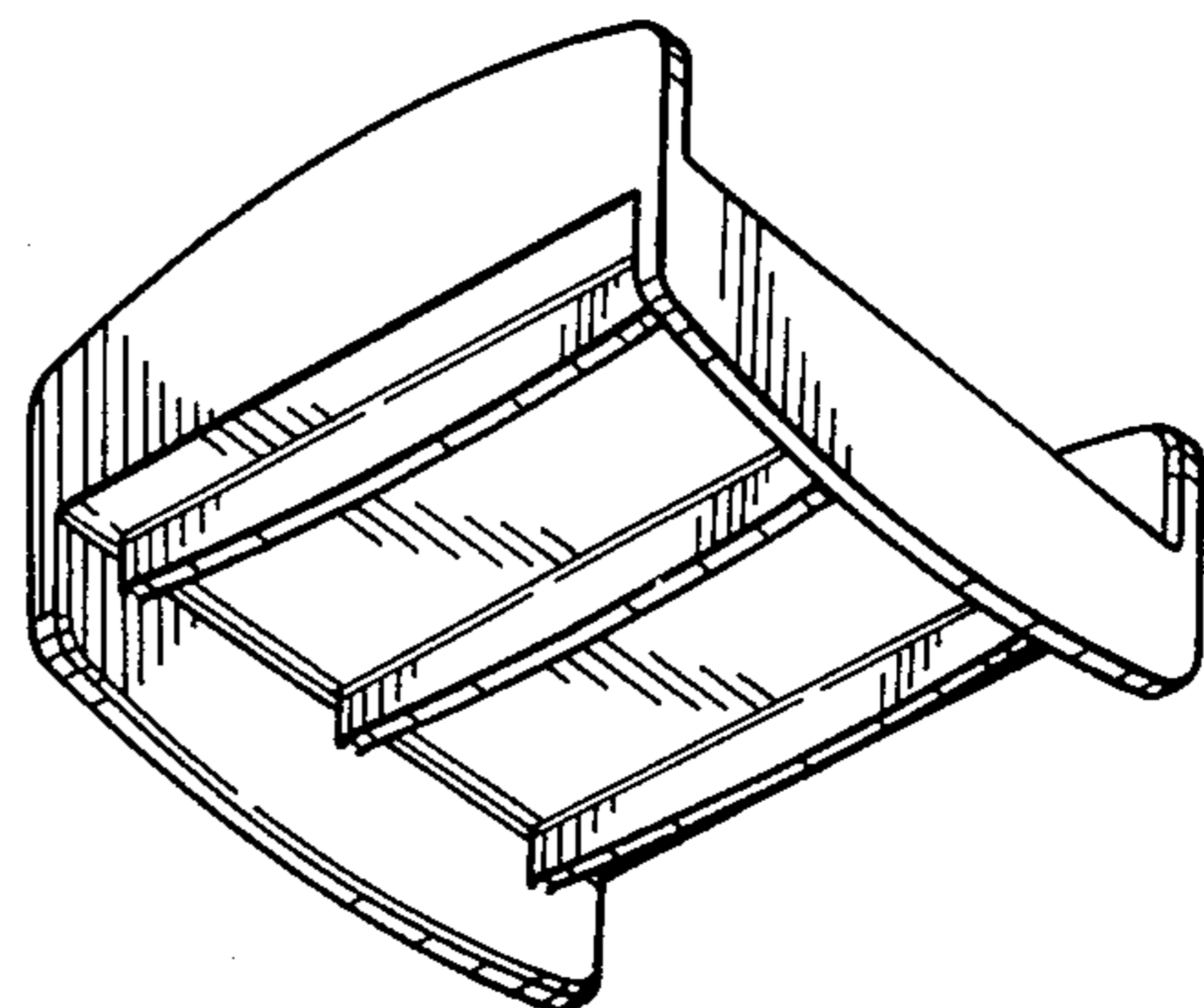
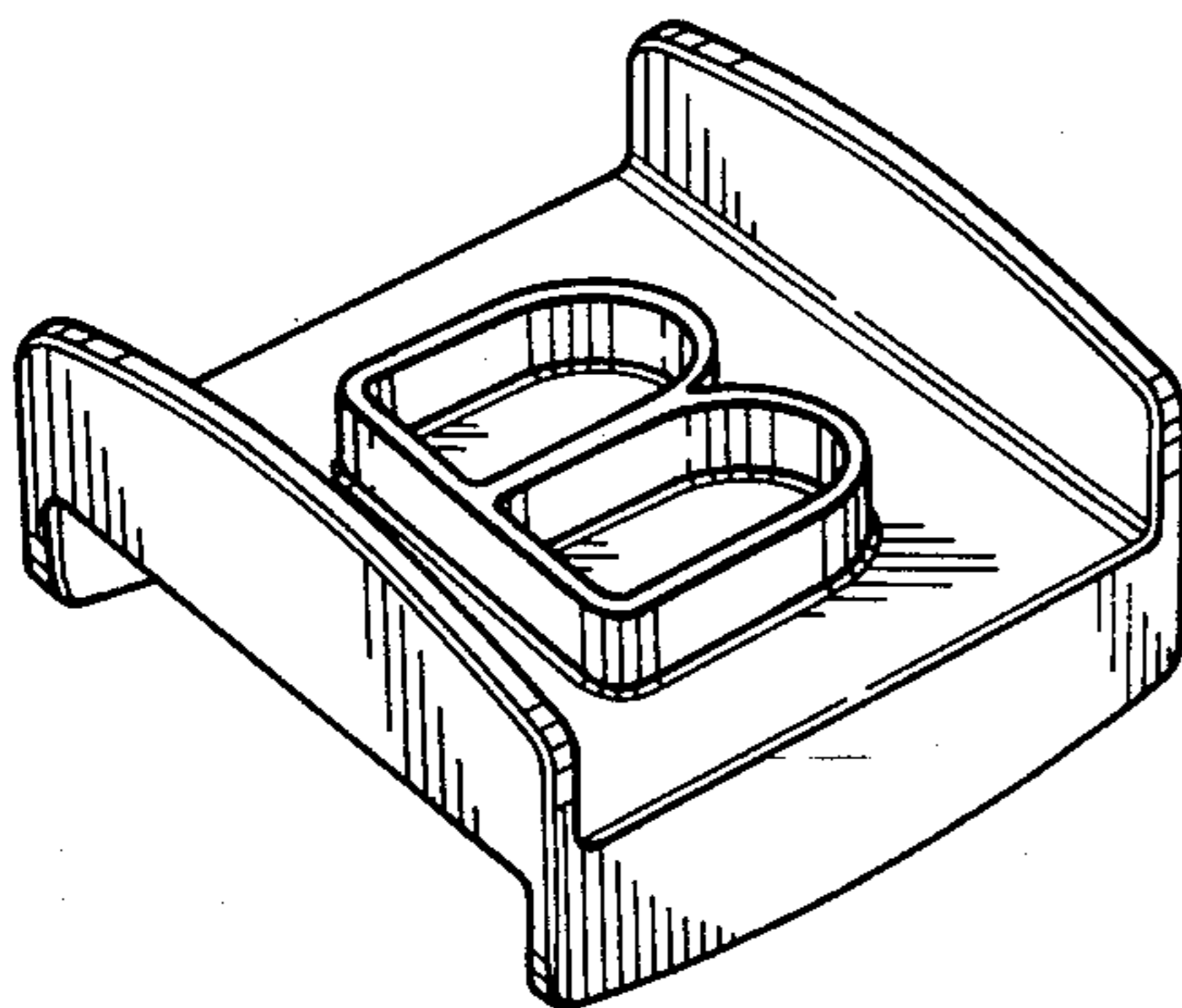
FIG. 2 is a bottom, rear, right side perspective view thereof;

FIG. 3 is a front elevation thereof;

FIG. 4 is a side elevation thereof;

FIG. 5 is a top plan view thereof; and

FIG. 6 is a bottom plan view thereof.



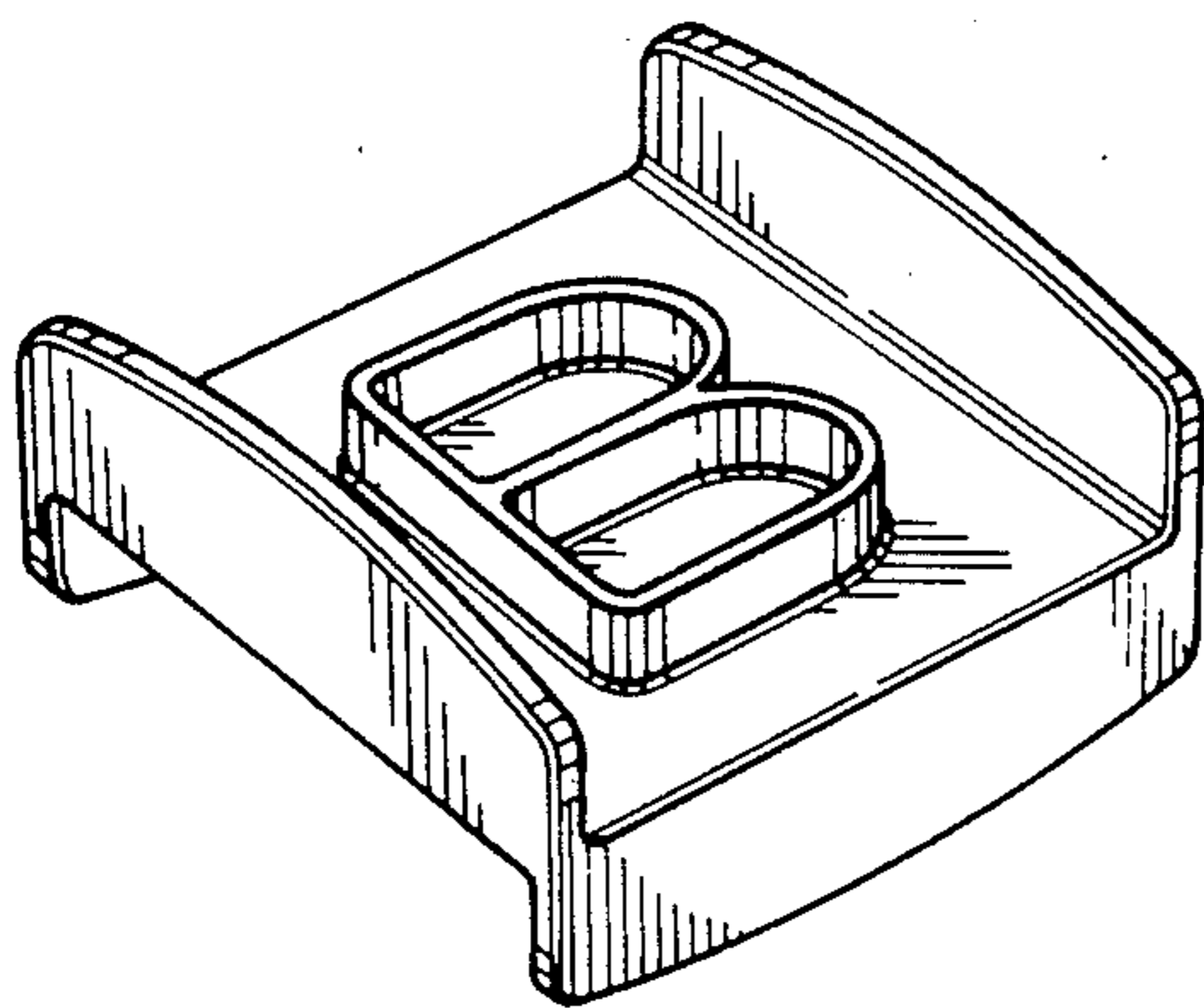


FIG. 1

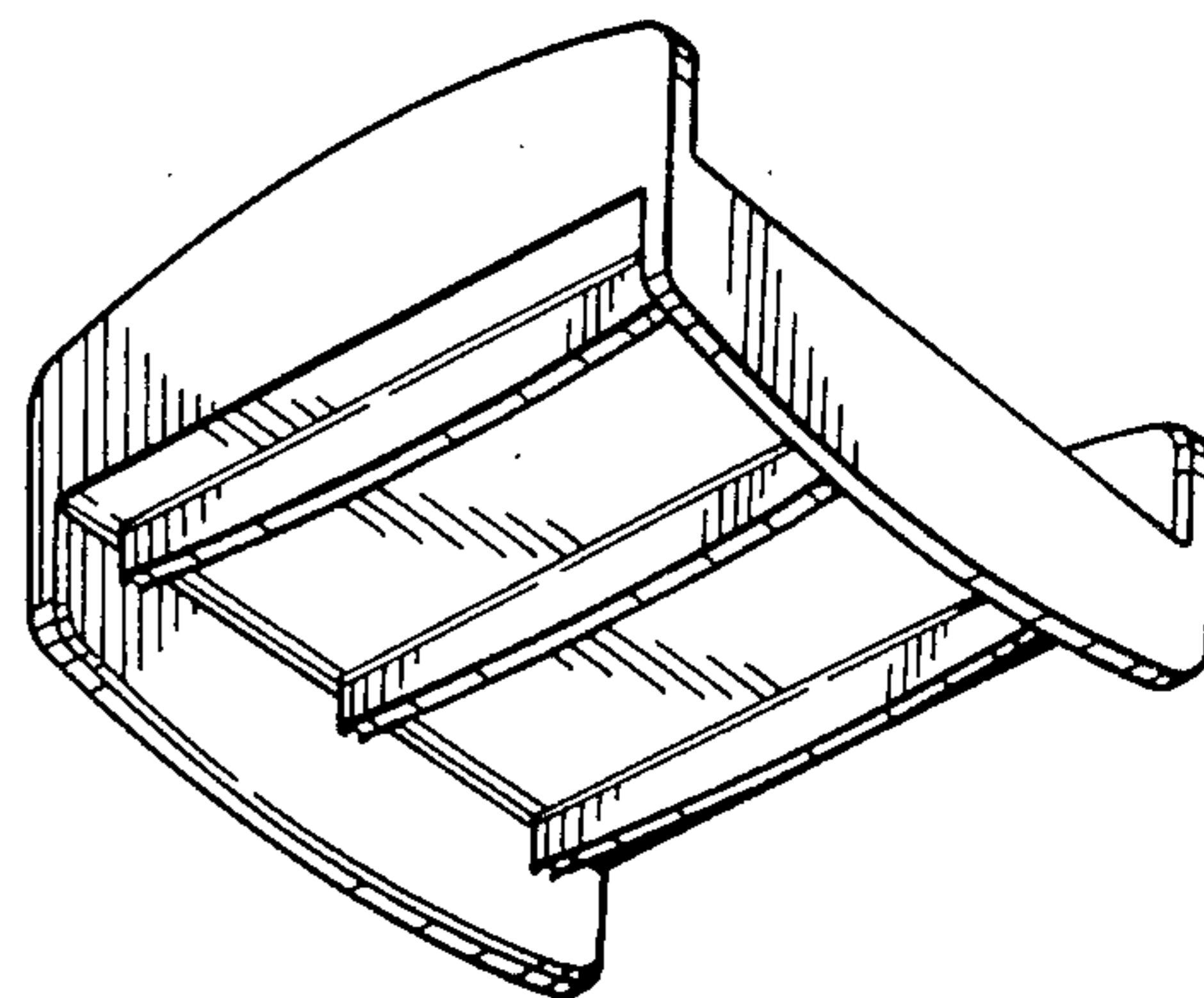


FIG. 2

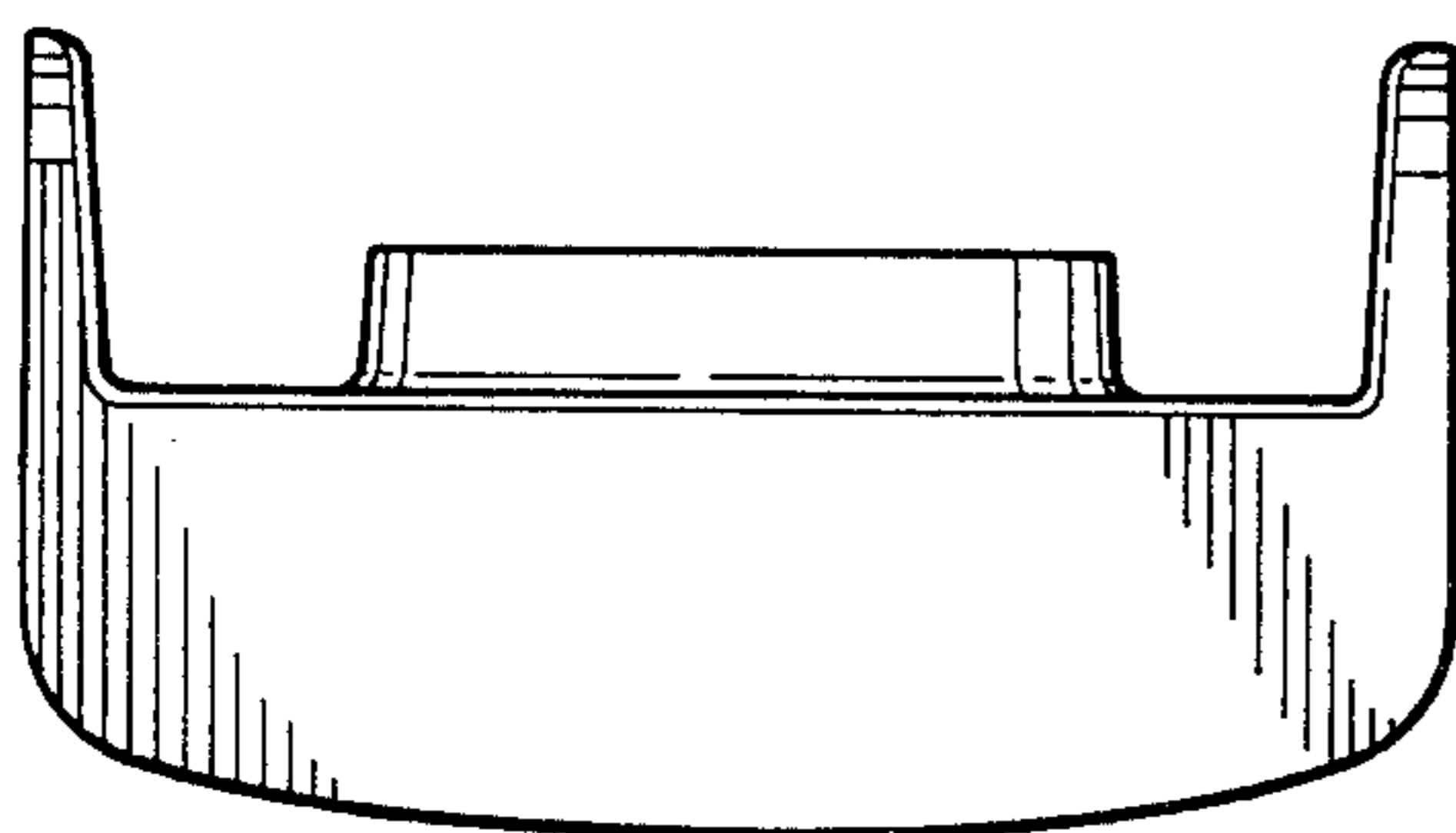


FIG. 3

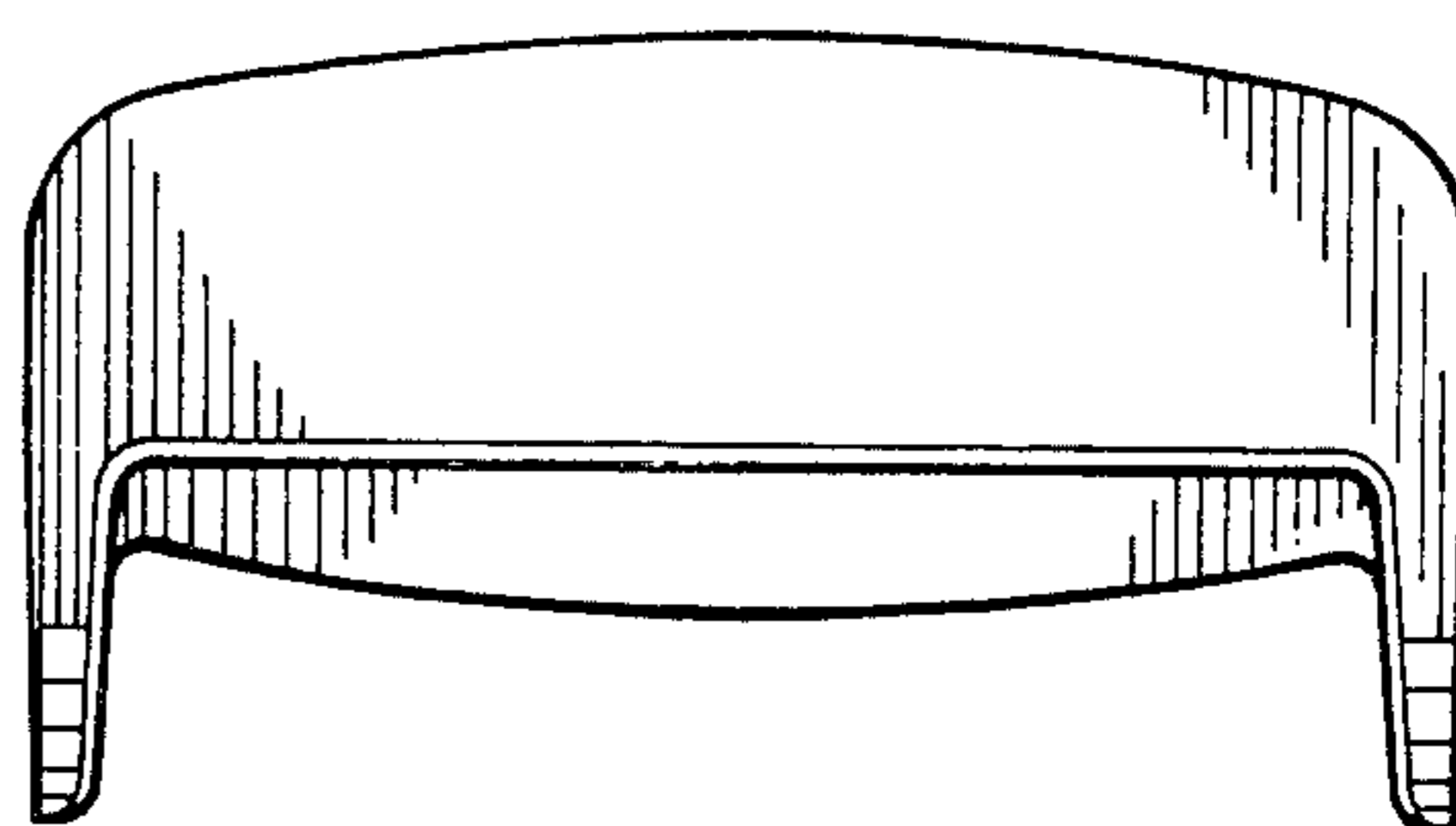


FIG. 4

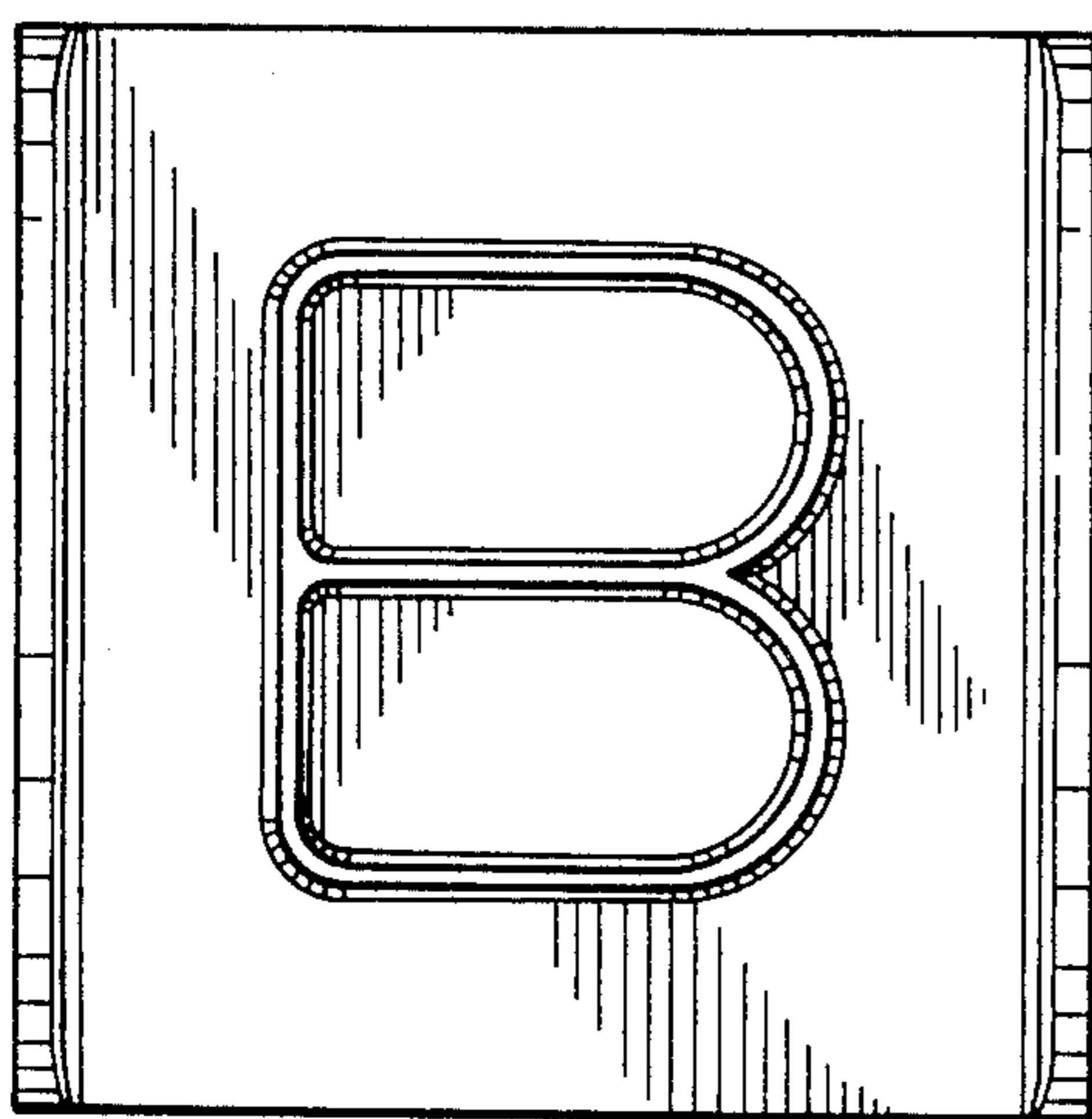


FIG. 5

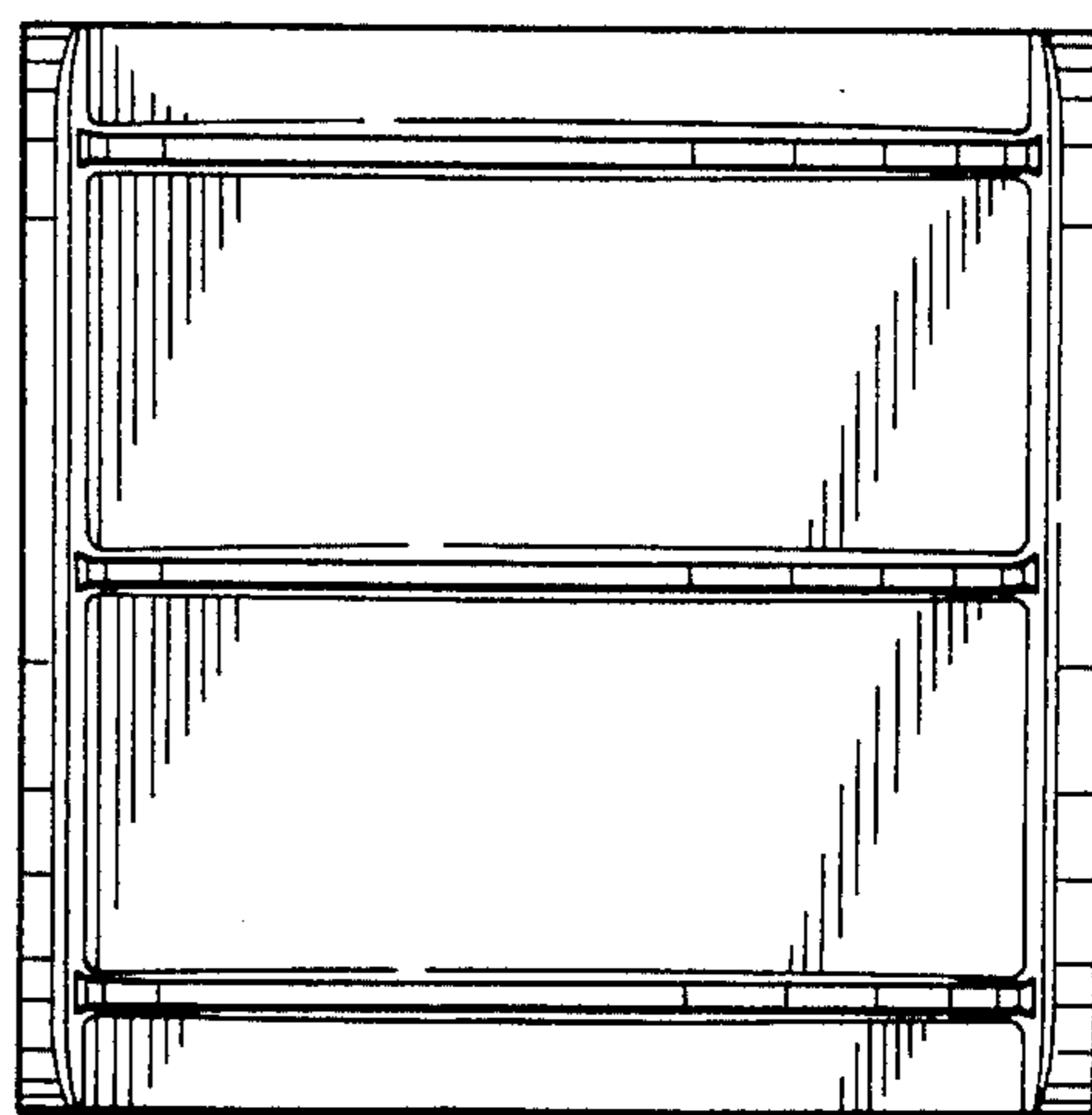


FIG. 6