

[54] EXECUTIVE WORK CENTER

[75] Inventors: Robert L. Sackett, Downey; John S. Reistetter, Los Angeles; Henry A. Goldman, Northridge; Albert P. De Fusco, Woodland Hills, all of Calif.

[73] Assignee: Artisan House, Inc., Los Angeles, Calif.

[**] Term: 14 Years

[21] Appl. No.: 527,107

[22] Filed: Aug. 29, 1983

[52] U.S. Cl. D6/430; D6/432; D6/441

[58] Field of Search D6/432, 429, 430, 431, D6/433, 441, 436, 438; 312/21, 27, 309, 295

[56] References Cited

U.S. PATENT DOCUMENTS

D. 103,680	3/1937	Hardy	D6/441	X
D. 150,192	7/1948	Baker	D6/436	
D. 193,194	7/1952	Black	D6/438	
846,848	3/1907	Herzog	312/324	X
1,477,844	12/1923	Nystrom	312/324	X
1,908,797	5/1933	Svalland	312/245	X

FOREIGN PATENT DOCUMENTS

803676 10/1958 United Kingdom 312/324

Primary Examiner—Carmen H. Vales

Assistant Examiner—M. Lawrence

Attorney, Agent, or Firm—Fred Flam

[57] CLAIM

The ornamental design for an executive work center, substantially as shown and described.

DESCRIPTION

FIG. 1 is a front elevational view of an executive work center showing our new design;
 FIG. 2 is a right side elevational view, the left side being a mirror image thereof;
 FIG. 3 is a rear elevational view thereof;
 FIG. 4 is a top plan view thereof;
 FIG. 5 is a bottom plan view thereof;
 FIG. 6 is a top perspective view with the doors in open position; and
 FIG. 7 is a top perspective view with the shelves in extended position.
 The electrical cord is shown broken away in FIGS. 2-5 for convenience of illustration.

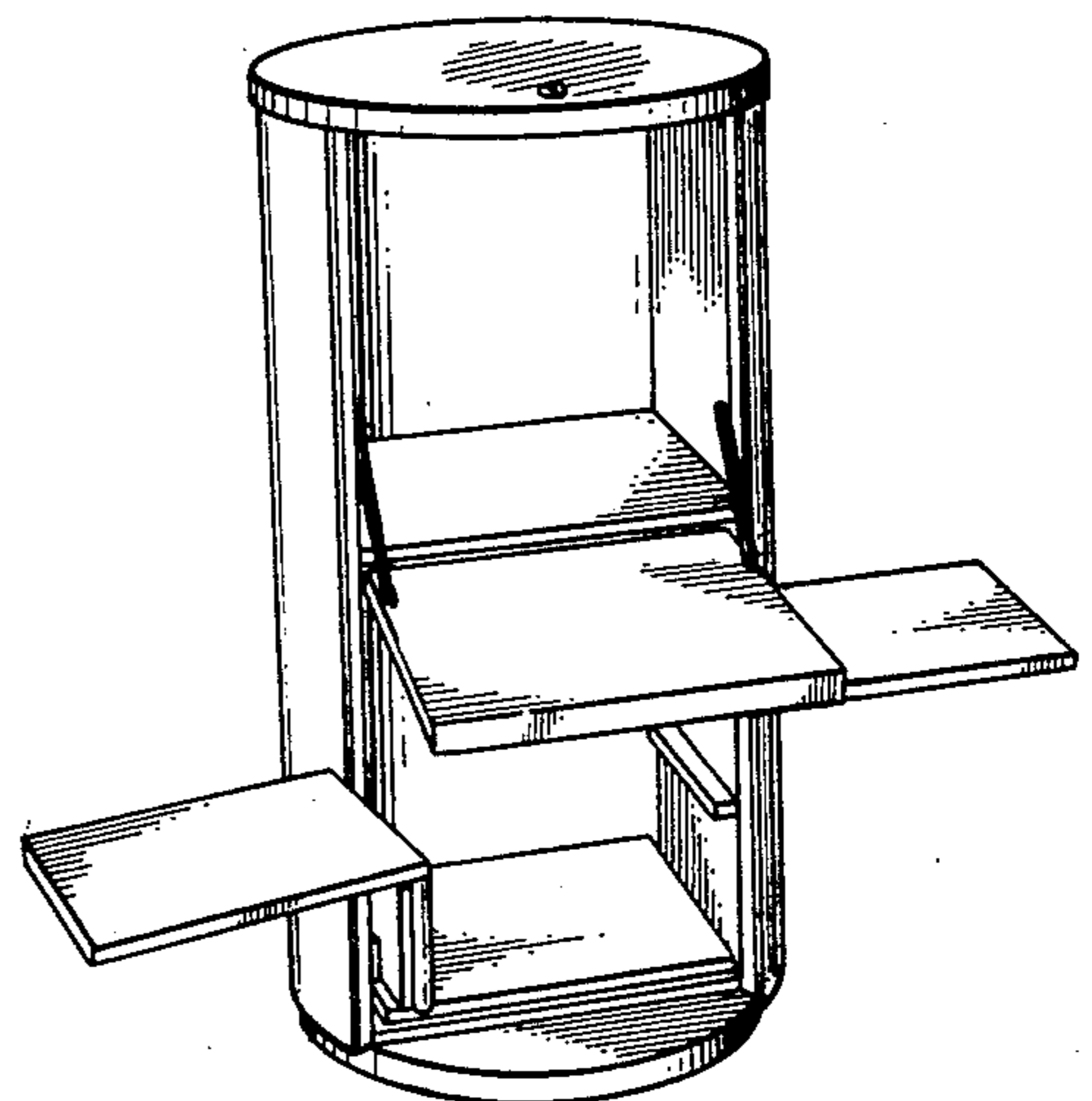
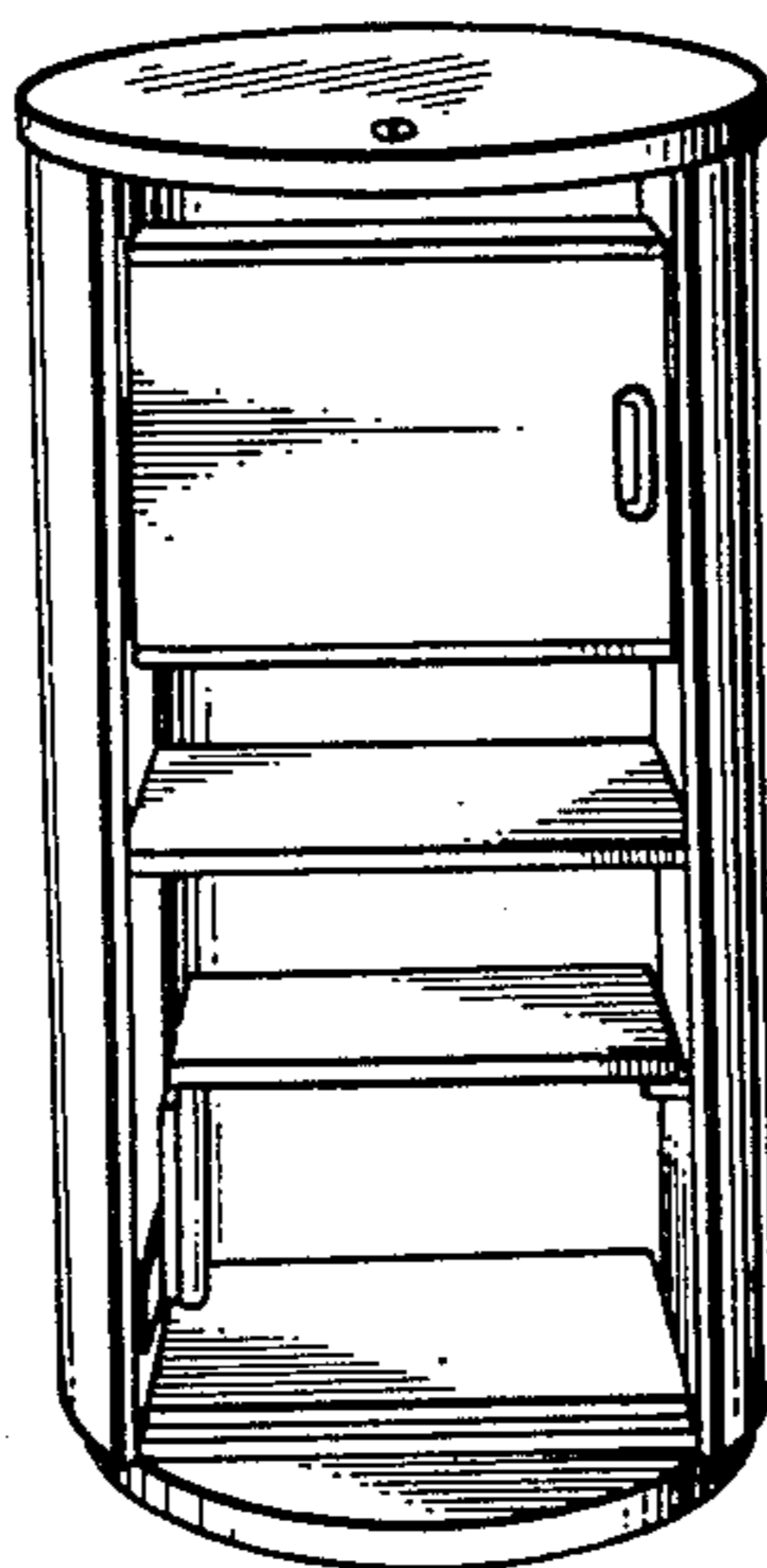
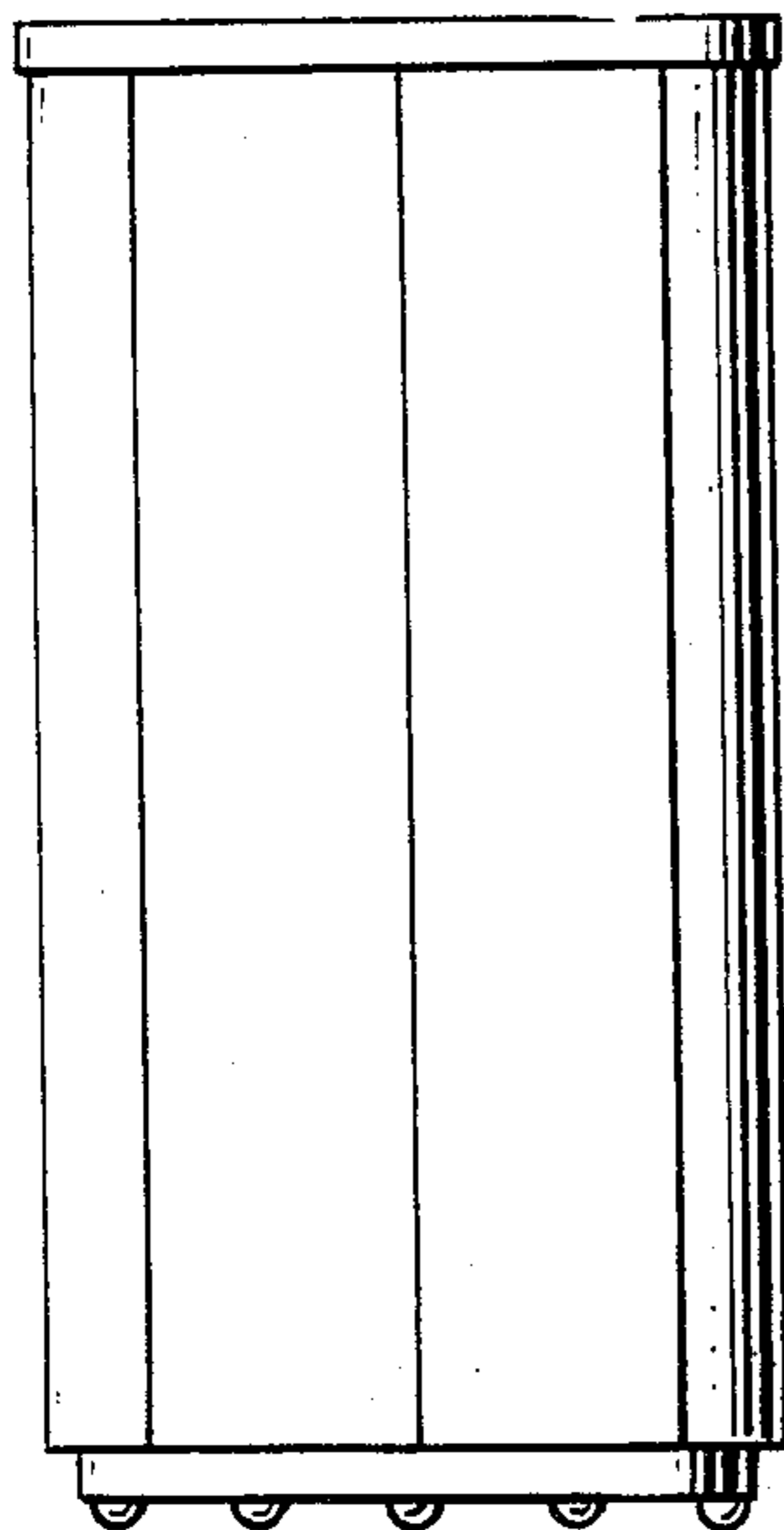


Fig. 1.

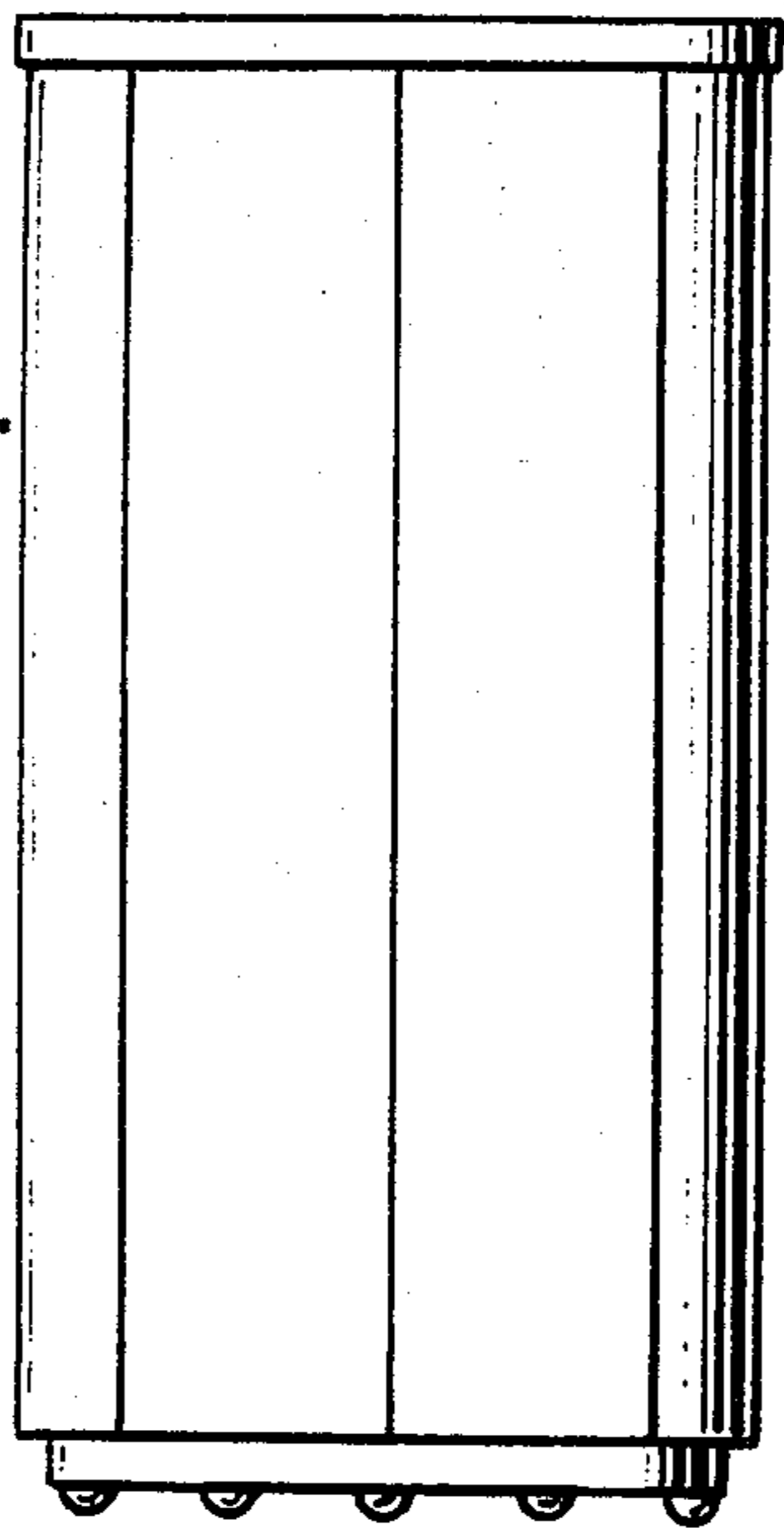


Fig. 2.

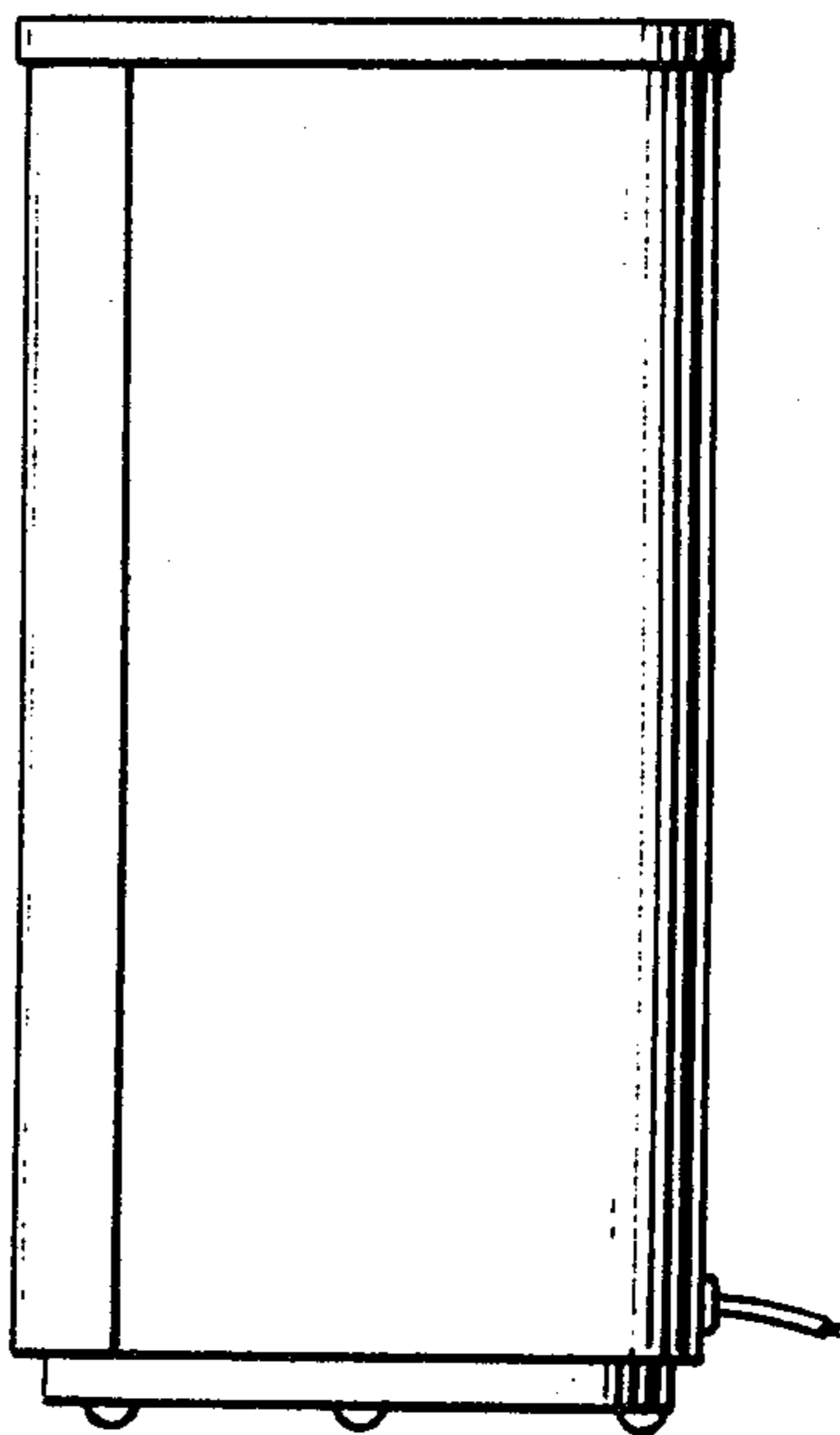


Fig. 3.

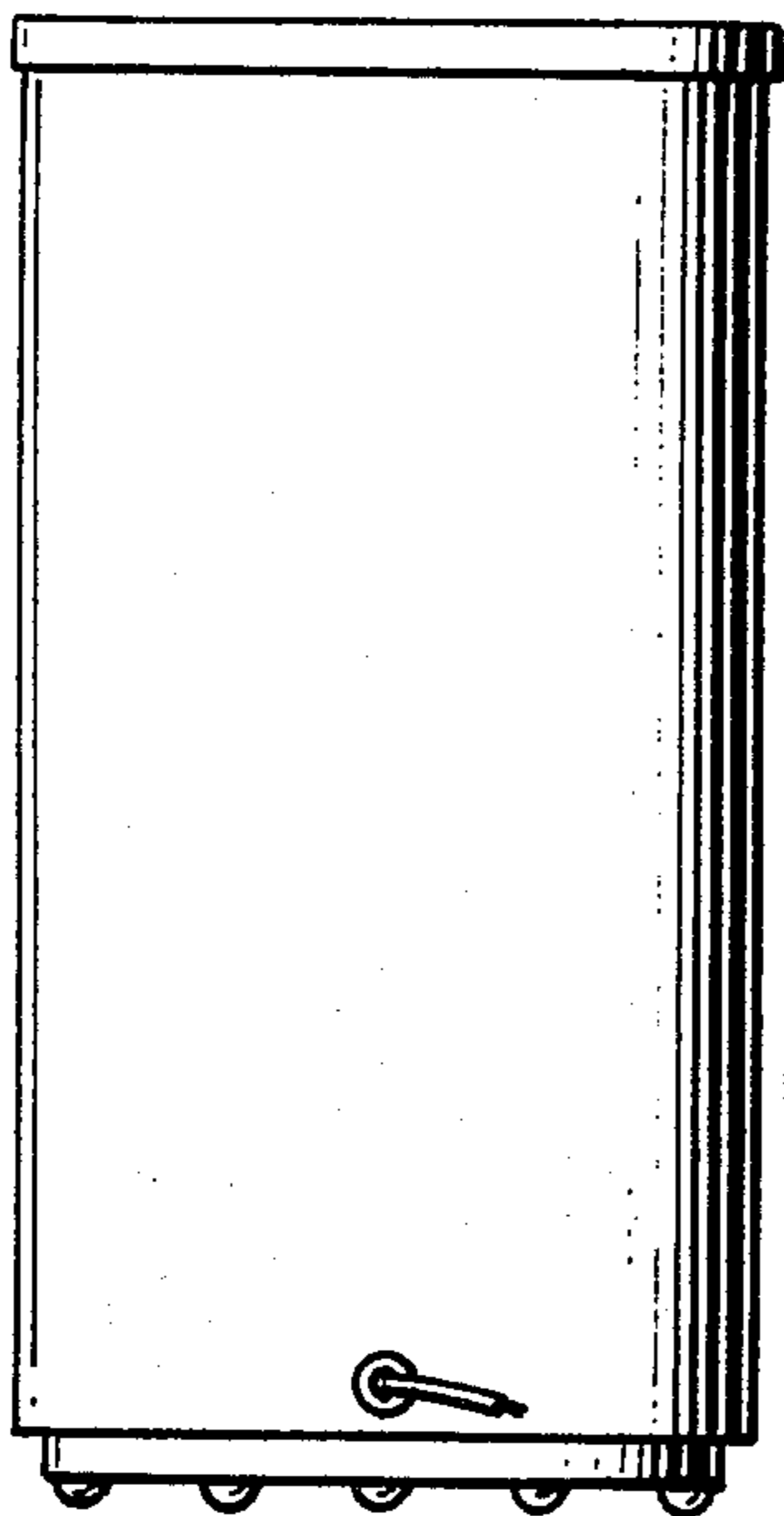


Fig. 4.

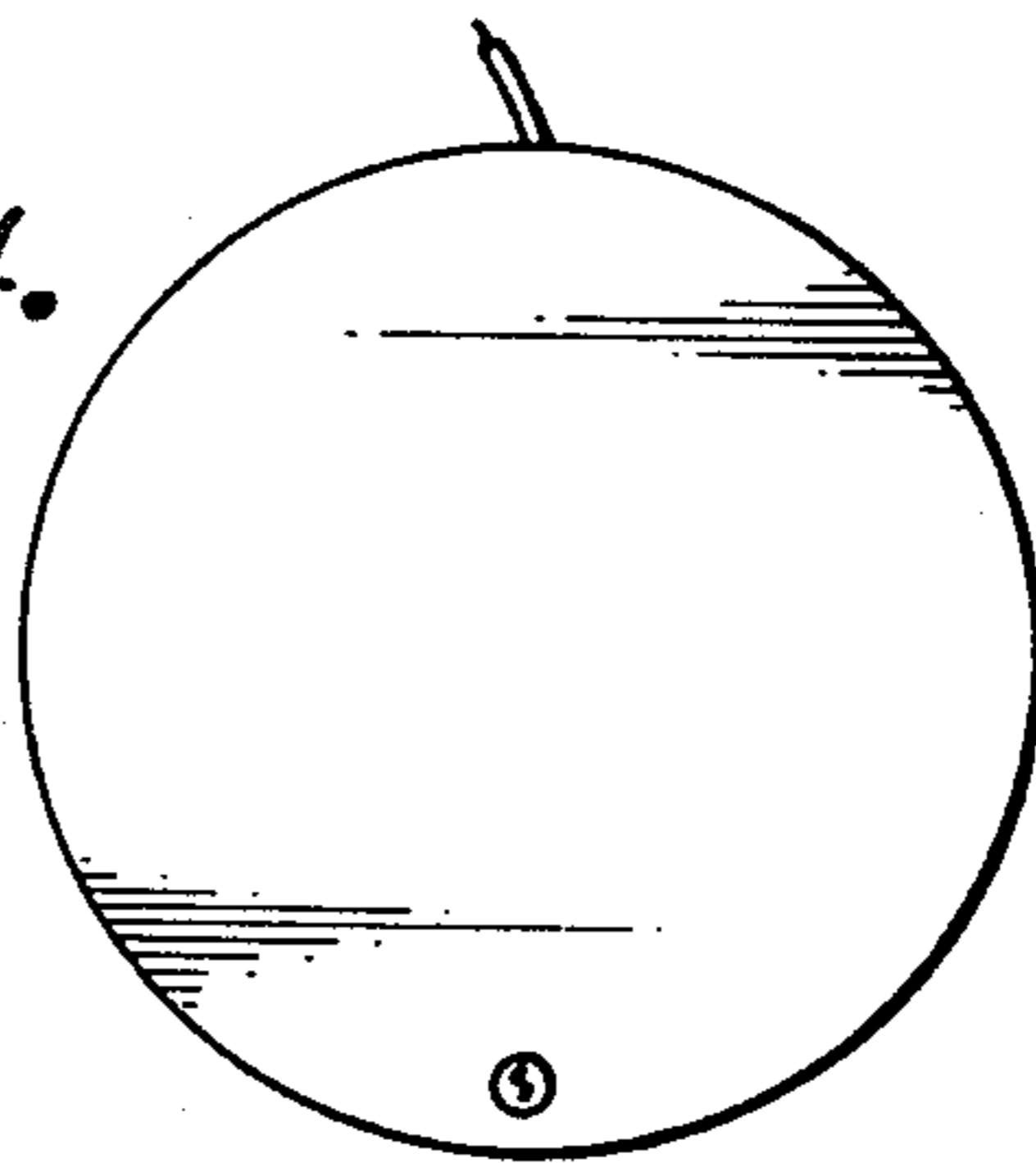


Fig. 5.

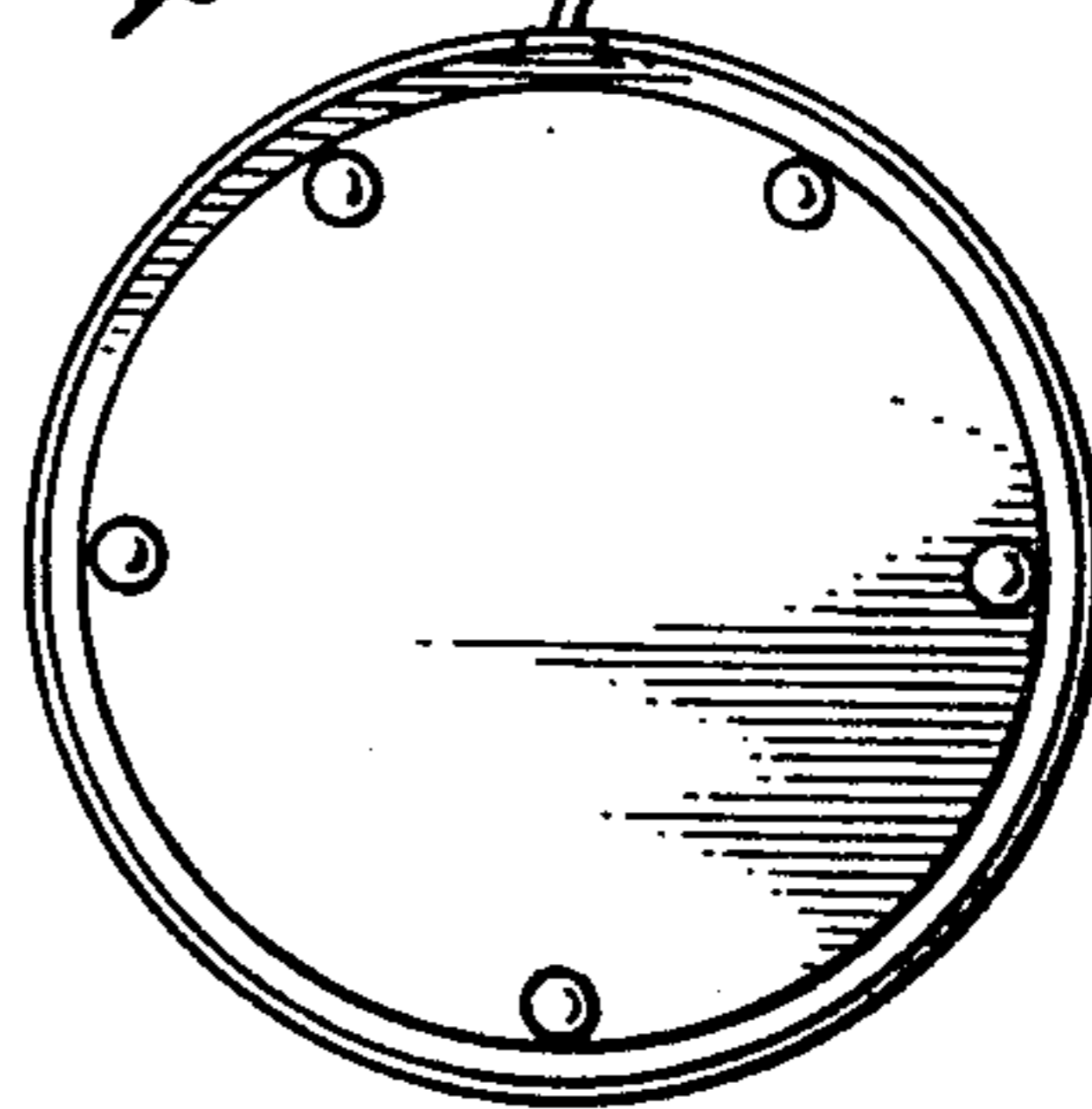


Fig. 7.

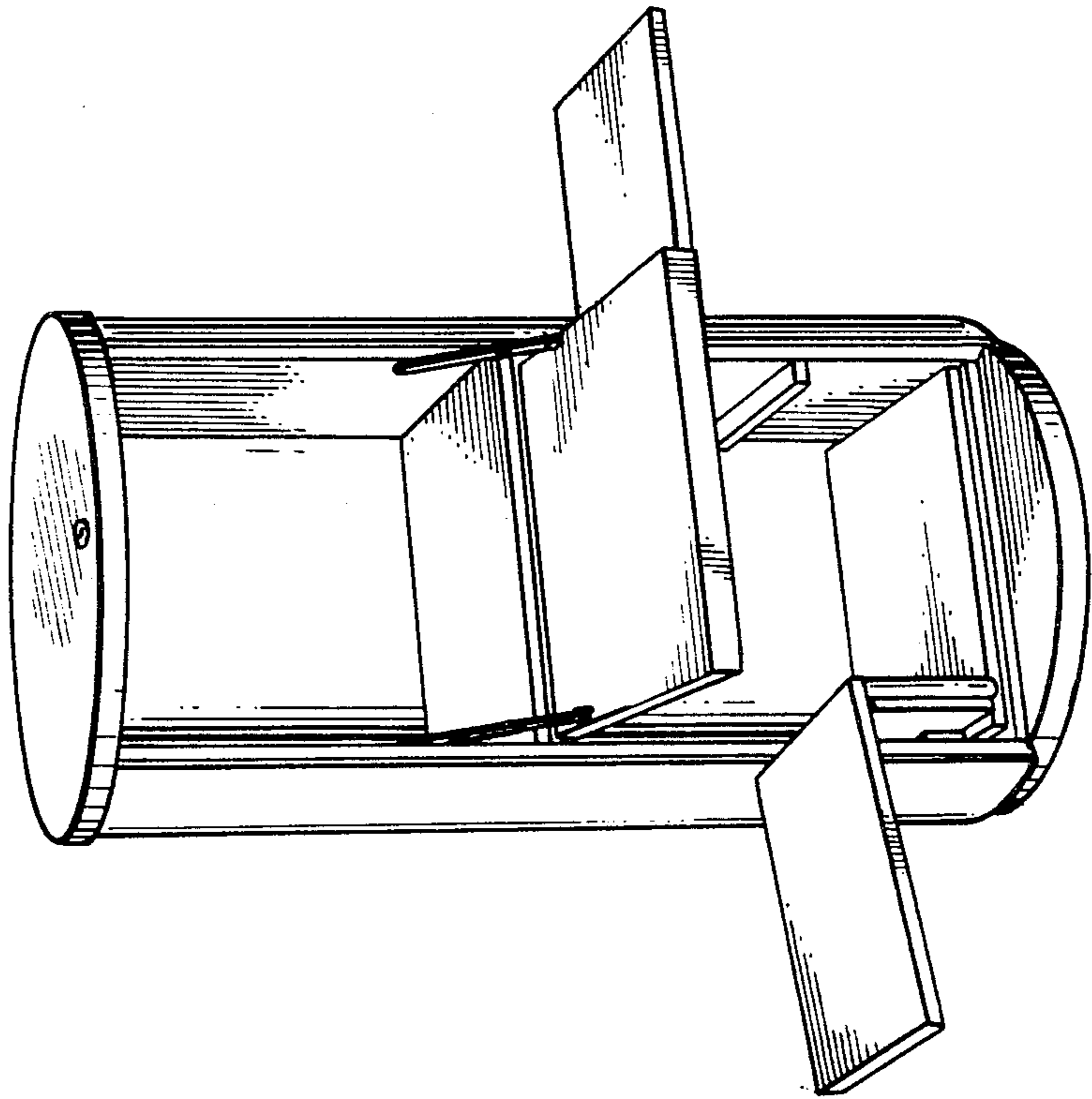


Fig. 6.

