

[54] CHAIR

[75] Inventor: Anthony F. Albanese, Upper Montclair, N.J.

[73] Assignee: I.P.F. International, Inc., Paterson, N.J.

[\*\*] Term: 14 Years

[21] Appl. No.: 548,443

[22] Filed: Nov. 3, 1983

[52] U.S. Cl. .... D6/380; D6/358; D6/379

[58] Field of Search ..... D6/335, 358, 369, 370, D6/371, 379, 380

[56] References Cited

U.S. PATENT DOCUMENTS

- D. 72,464 4/1927 Antrobus ..... D6/358
- D. 106,553 10/1937 Wetherington ..... D6/358
- D. 110,547 7/1938 Hickerson ..... D6/380

- D. 179,603 1/1957 Jones, Jr. .... D6/358
- D. 233,094 10/1974 Noda et al. .... D6/380
- D. 238,034 12/1975 Eisen ..... D6/380
- D. 242,308 11/1976 Adkinson ..... D6/379

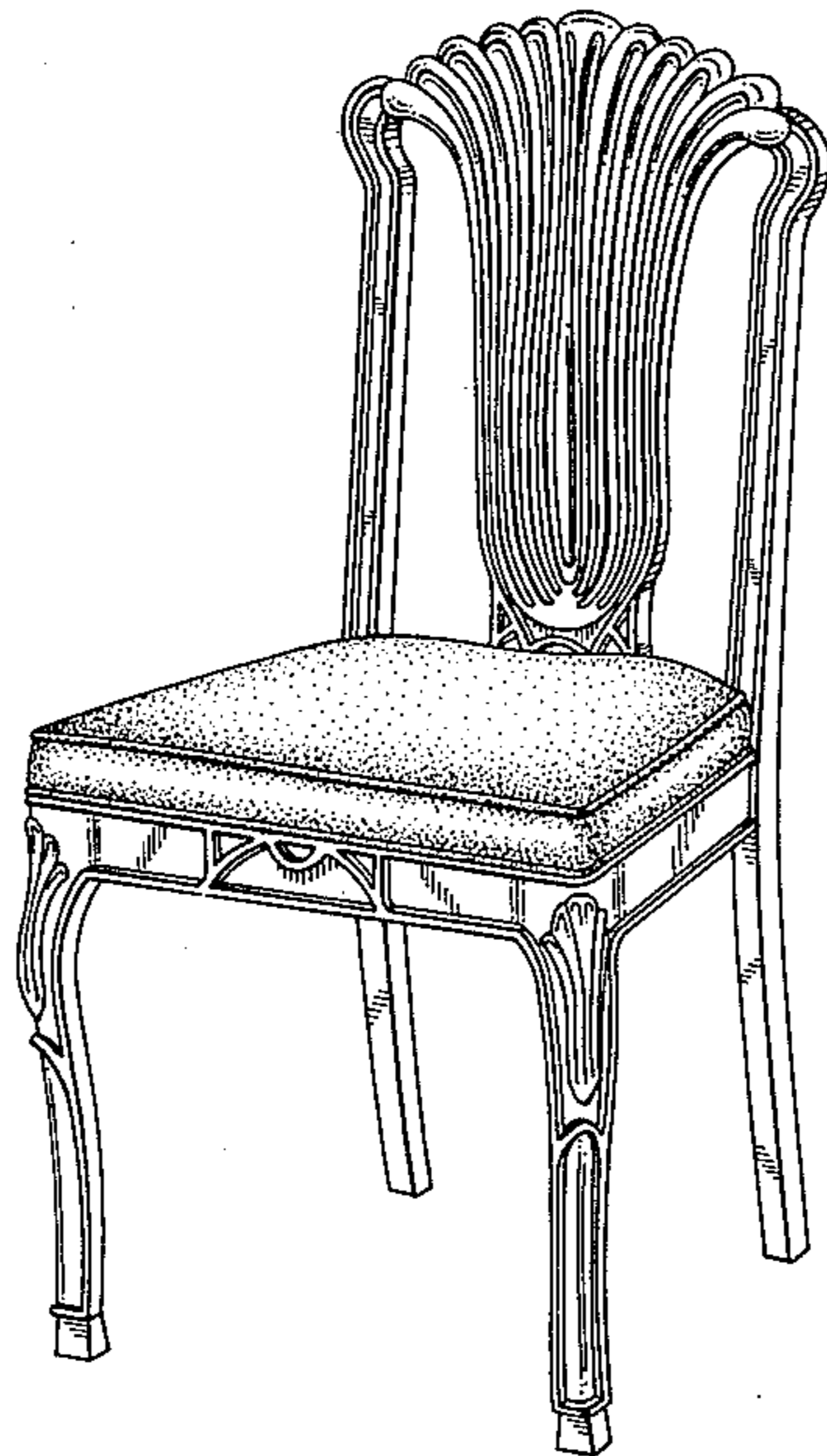
Primary Examiner—Bruce W. Dunkins  
Attorney, Agent, or Firm—Samuelson & Jacob

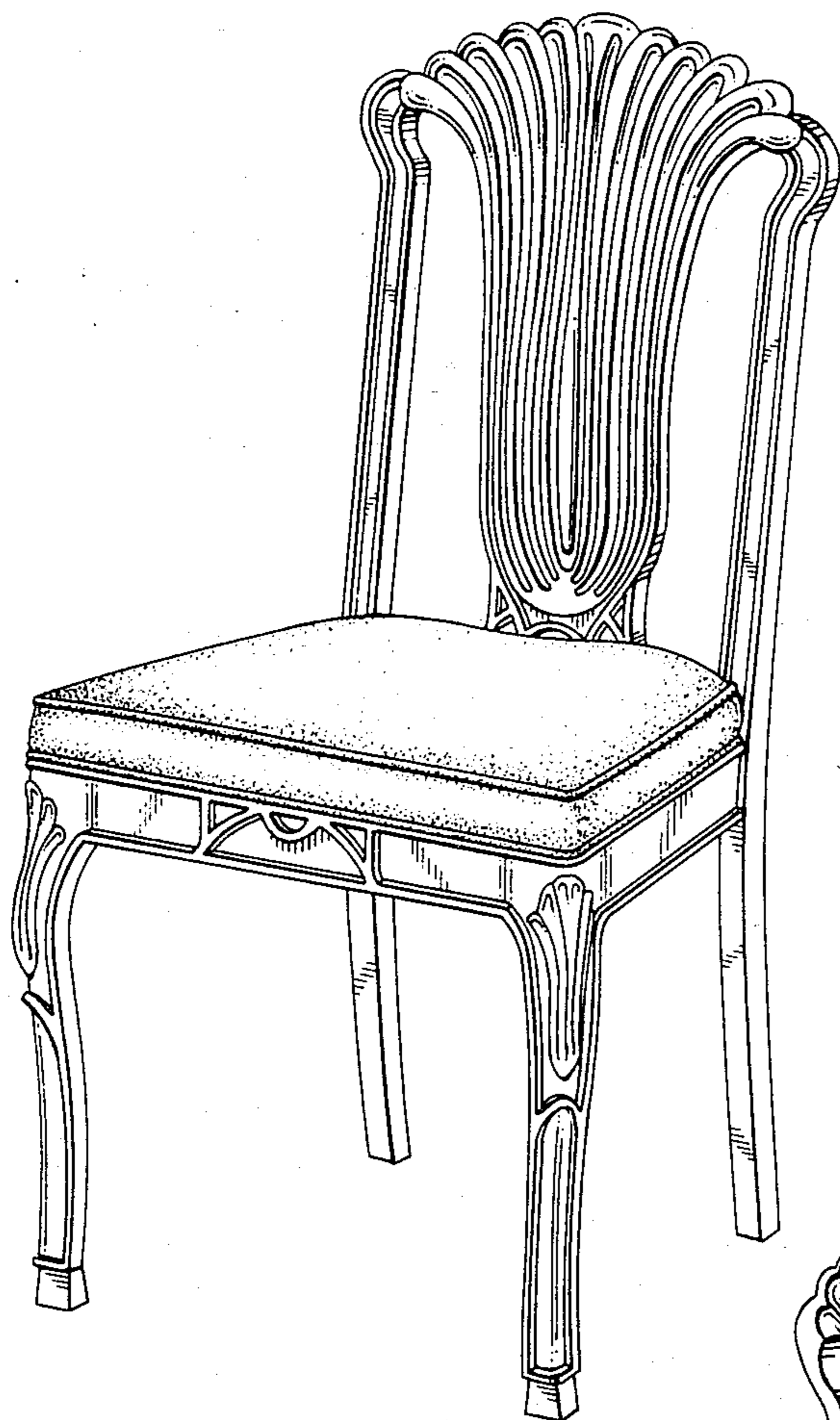
[57] CLAIM

The ornamental design for a chair, as shown and described.

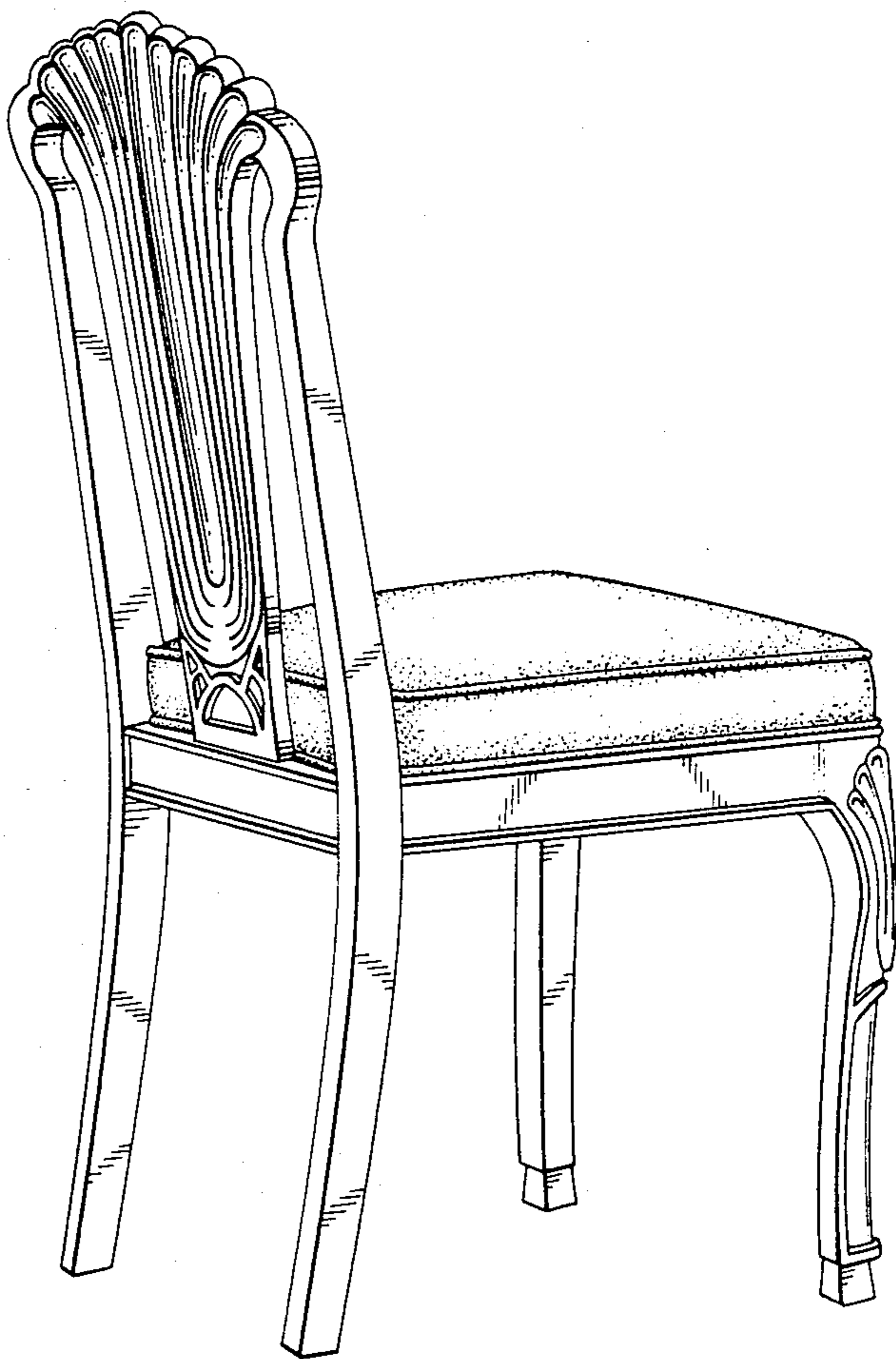
DESCRIPTION

FIG. 1 is a front perspective view of a chair showing my new design;  
 FIG. 2 is a rear perspective view thereof;  
 FIG. 3 is a front elevational view thereof;  
 FIG. 4 is a rear elevational view thereof;  
 FIG. 5 is a front perspective view of a chair showing another embodiment of my new design;  
 FIG. 6 is a rear perspective view thereof;  
 FIG. 7 is a front elevational view thereof; and  
 FIG. 8 is a rear elevational view thereof.

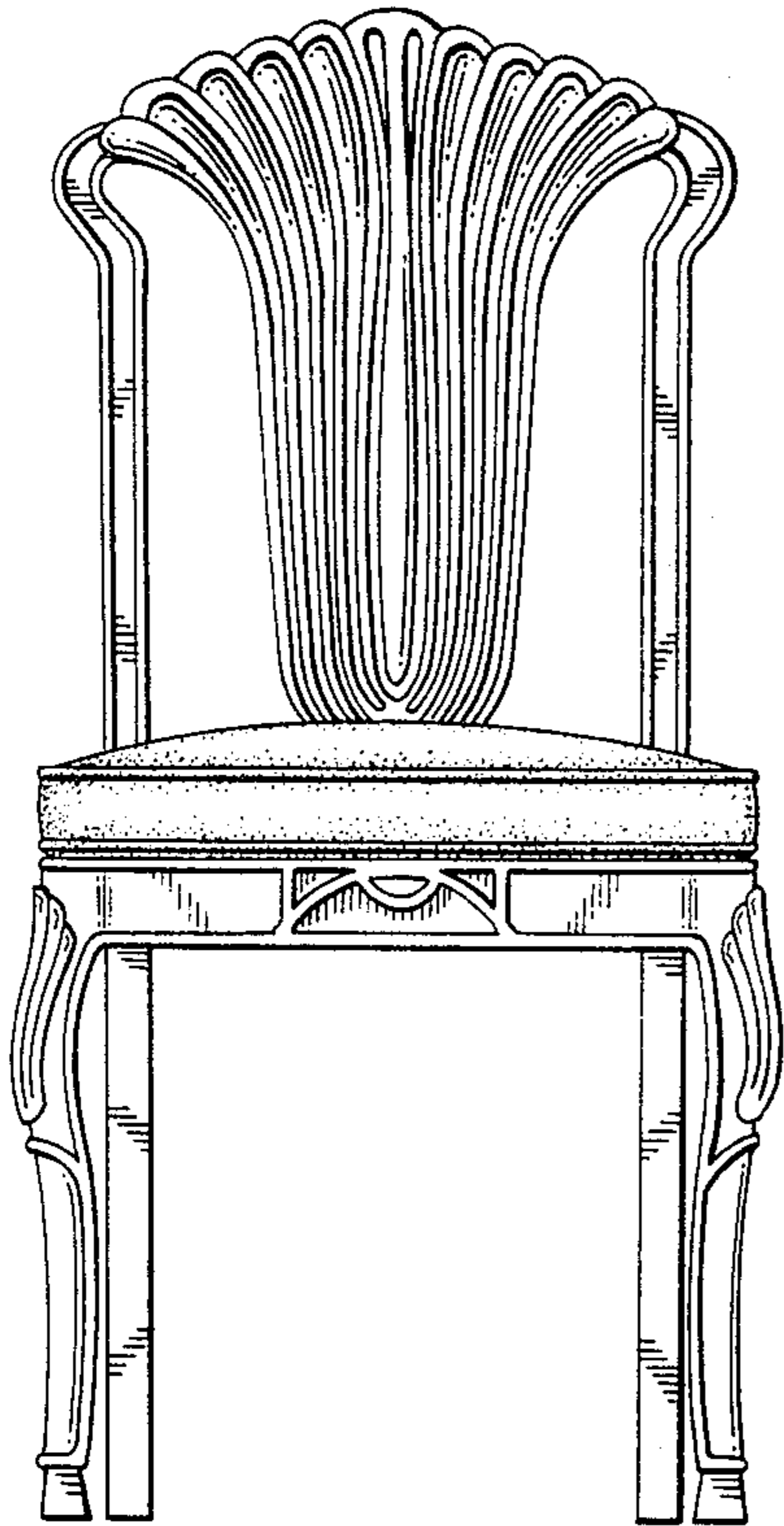




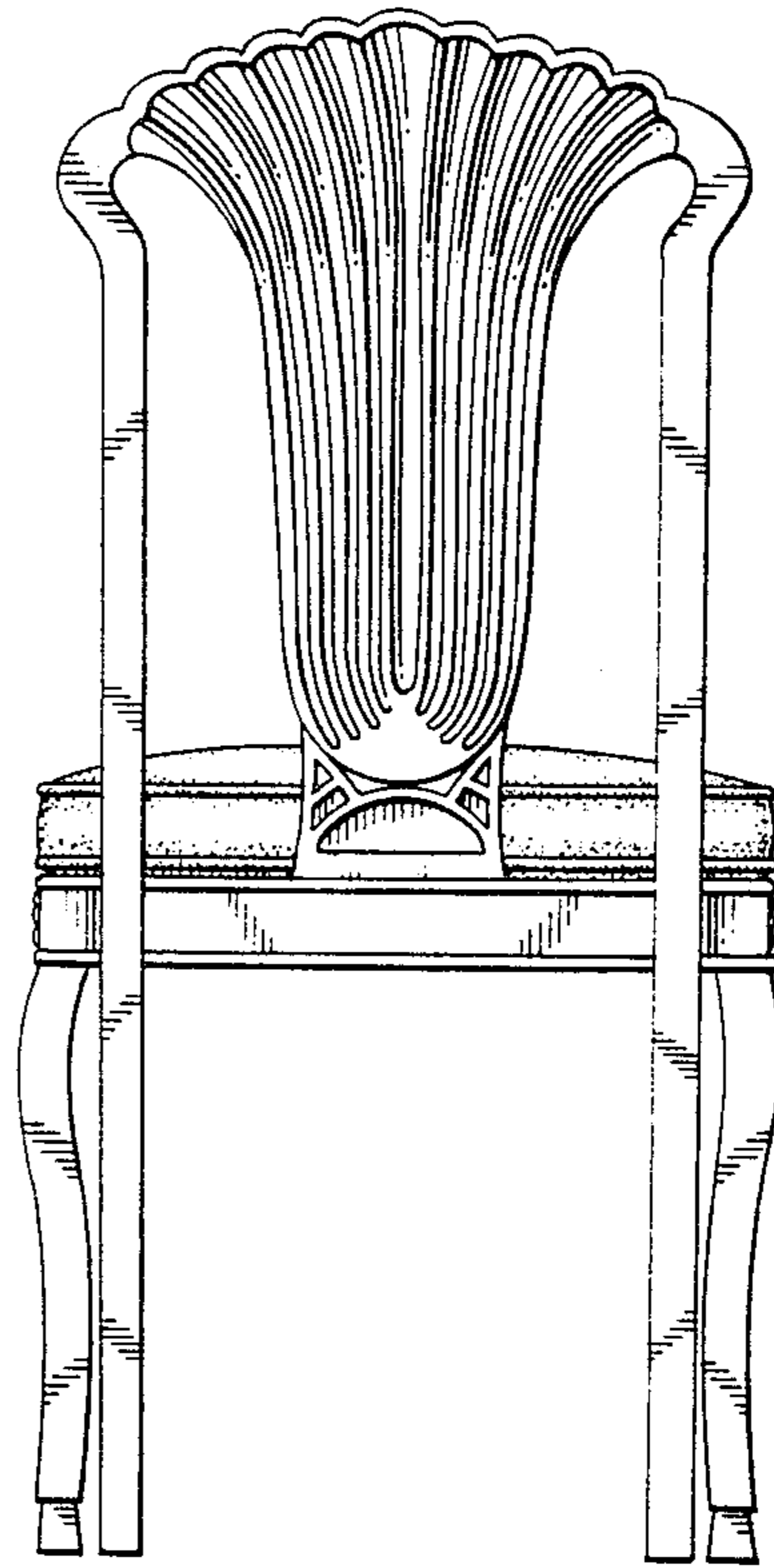
*FIG. 1*



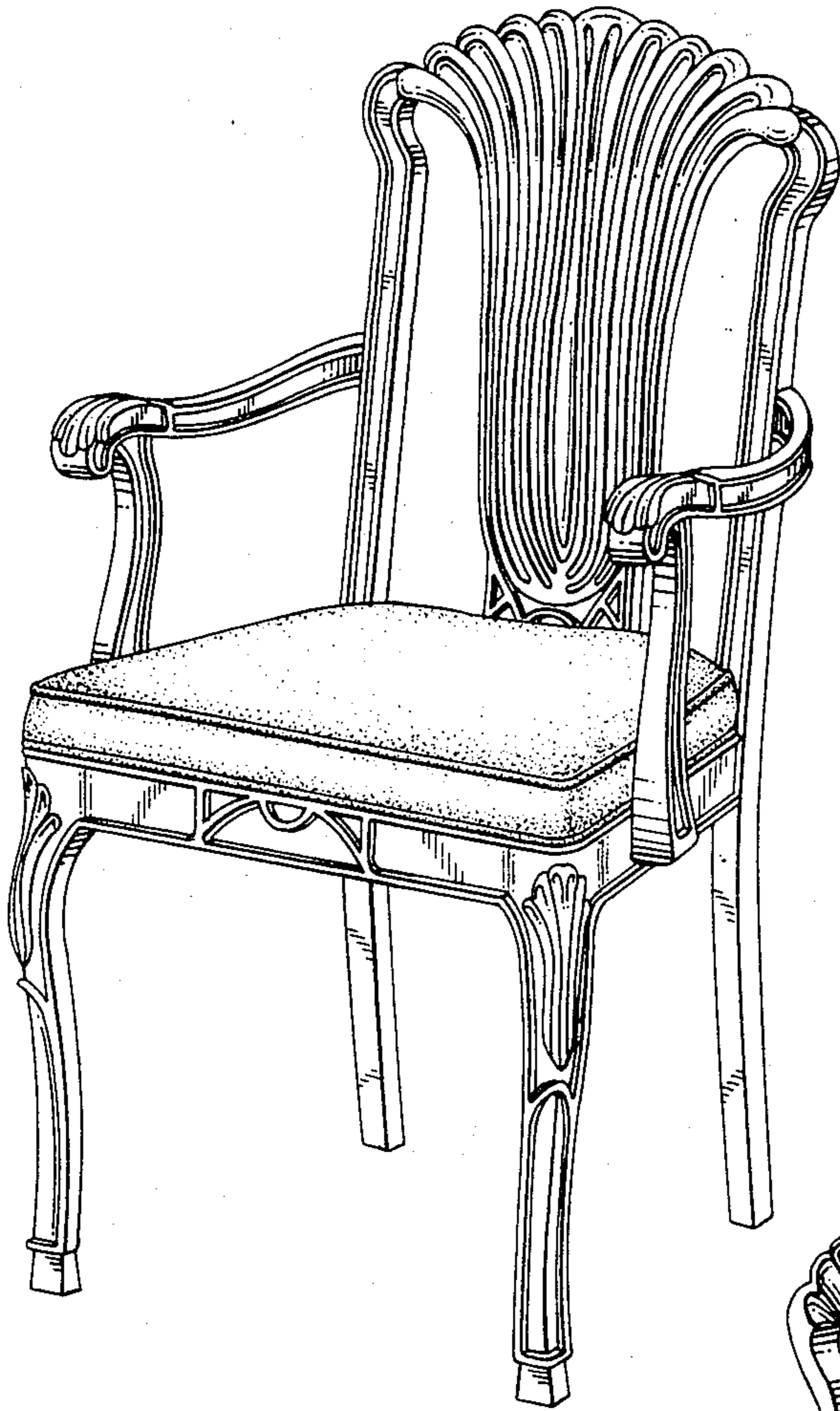
*FIG. 2*



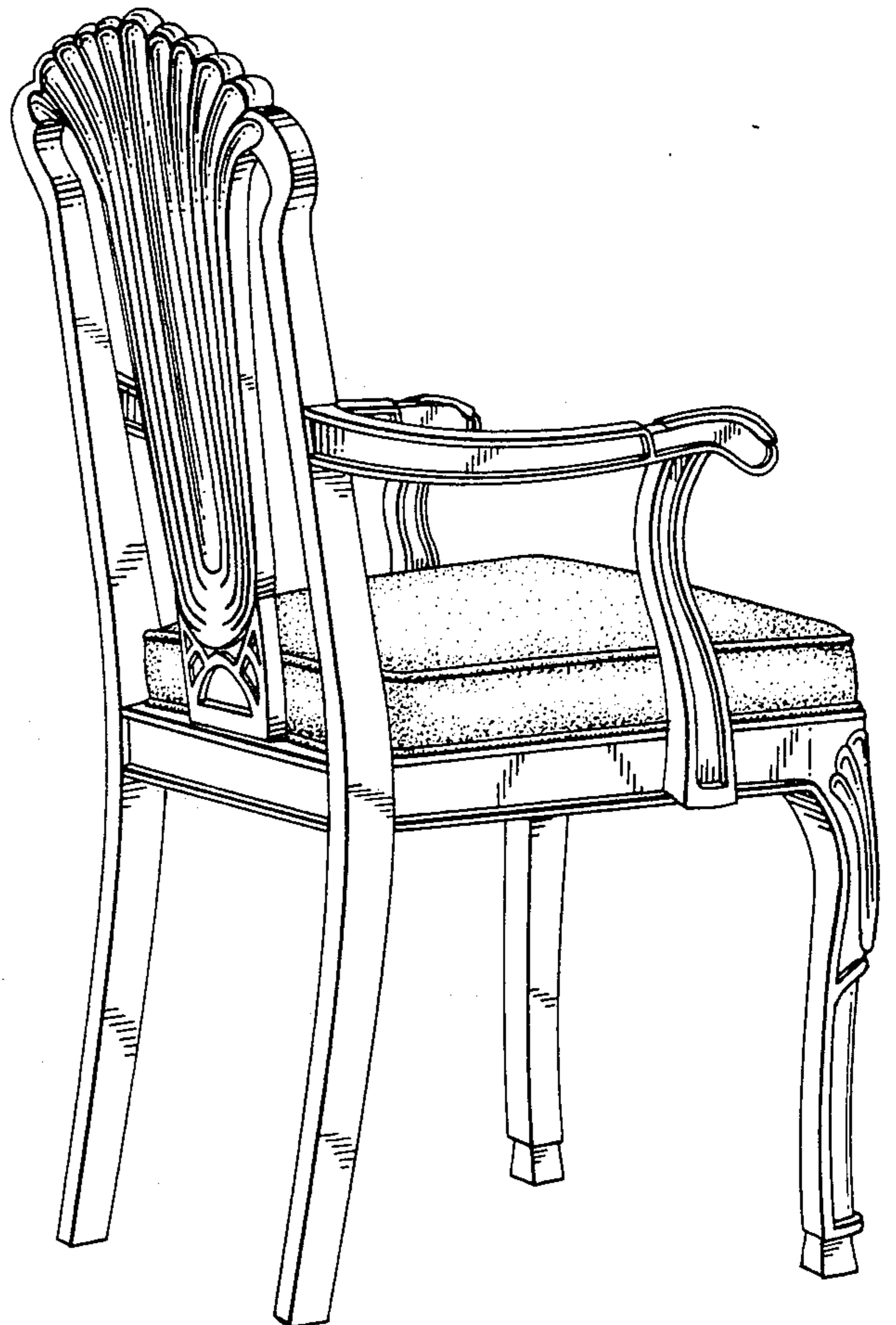
**FIG. 3**



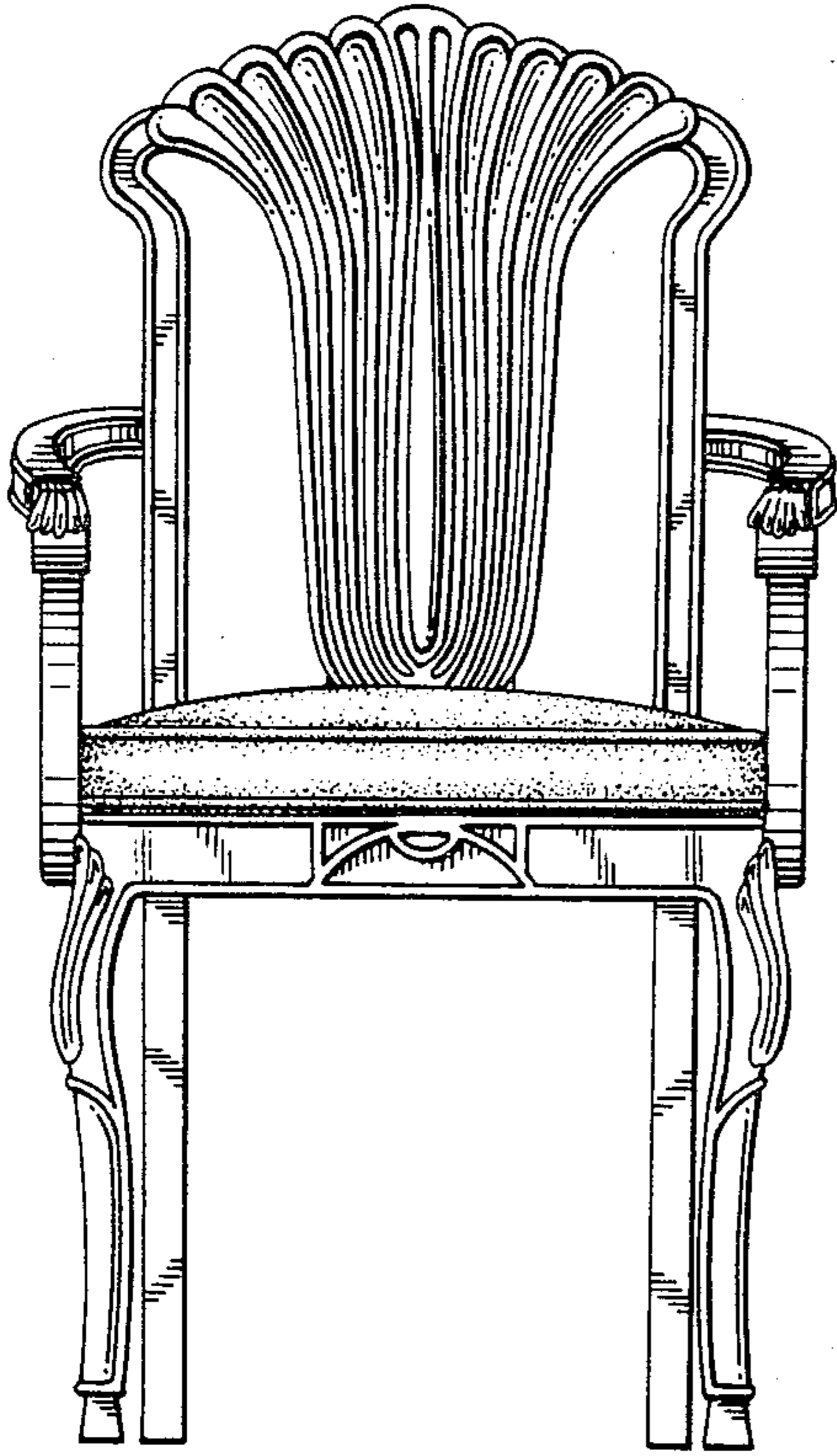
**FIG. 4**



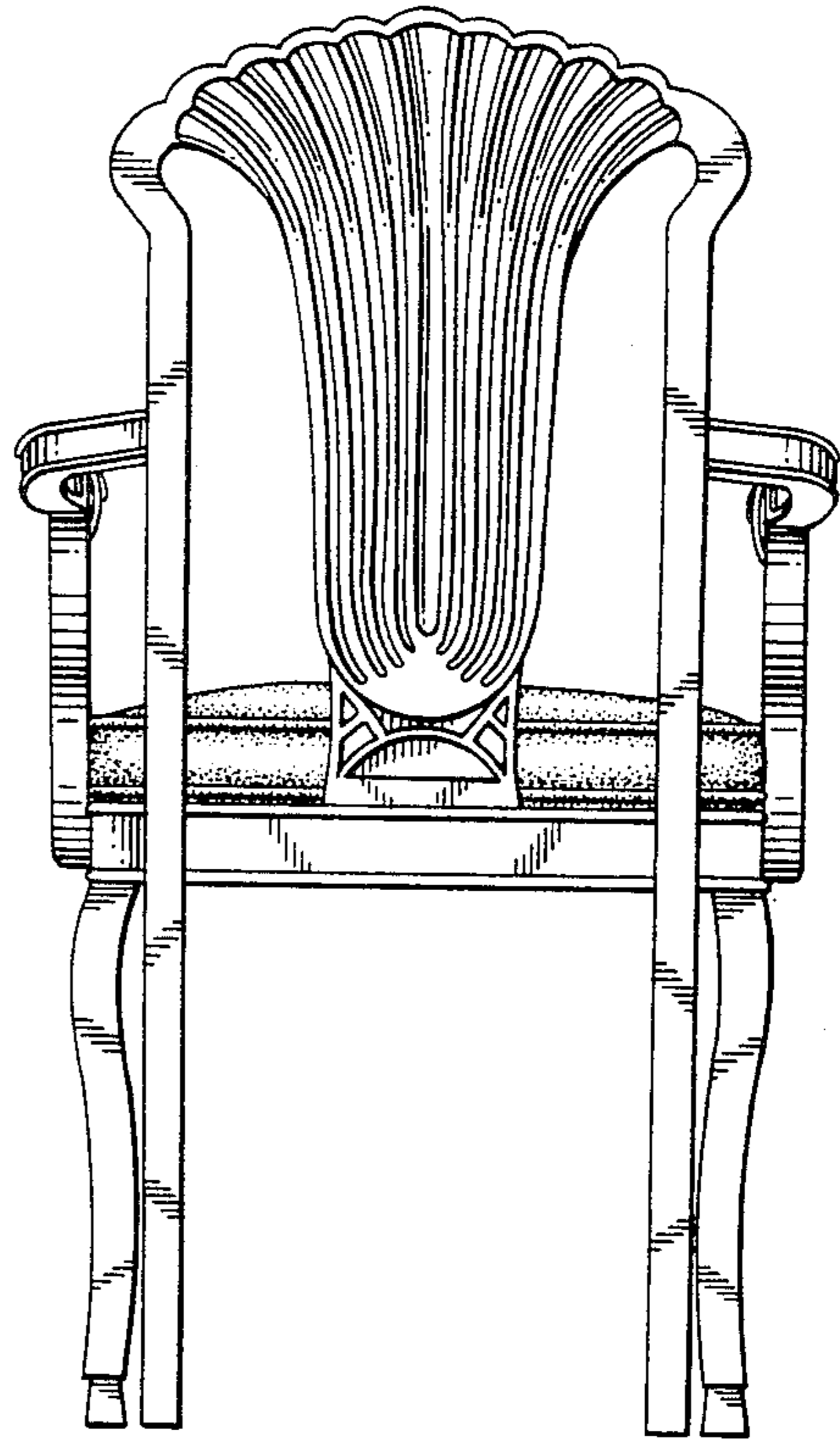
**FIG. 5**



**FIG. 6**



**FIG. 7**



**FIG. 8**