

[54] **PAINT APPLICATION DEVICE**

[76] **Inventor:** Louis Cliche, 1240 Saint-Ange St.,
Sainte-Foy, Quebec, Canada, G2E
3L9

[**] **Term:** 14 Years

[21] **Appl. No.:** 552,811

[22] **Filed:** Nov. 17, 1983

[52] **U.S. Cl. D4/122**

[58] **Field of Search D4/122, 123; 15/230.11;
401/197, 15, 218-220**

[56] **References Cited**

U.S. PATENT DOCUMENTS

D. 248,416 7/1978 Lupkes D4/122 X
2,483,814 10/1949 Dean 401/218

2,678,002 5/1954 Roell, Jr. et al. 401/218
2,824,325 2/1958 Lussier 401/218
3,115,659 12/1963 Church 15/230.11

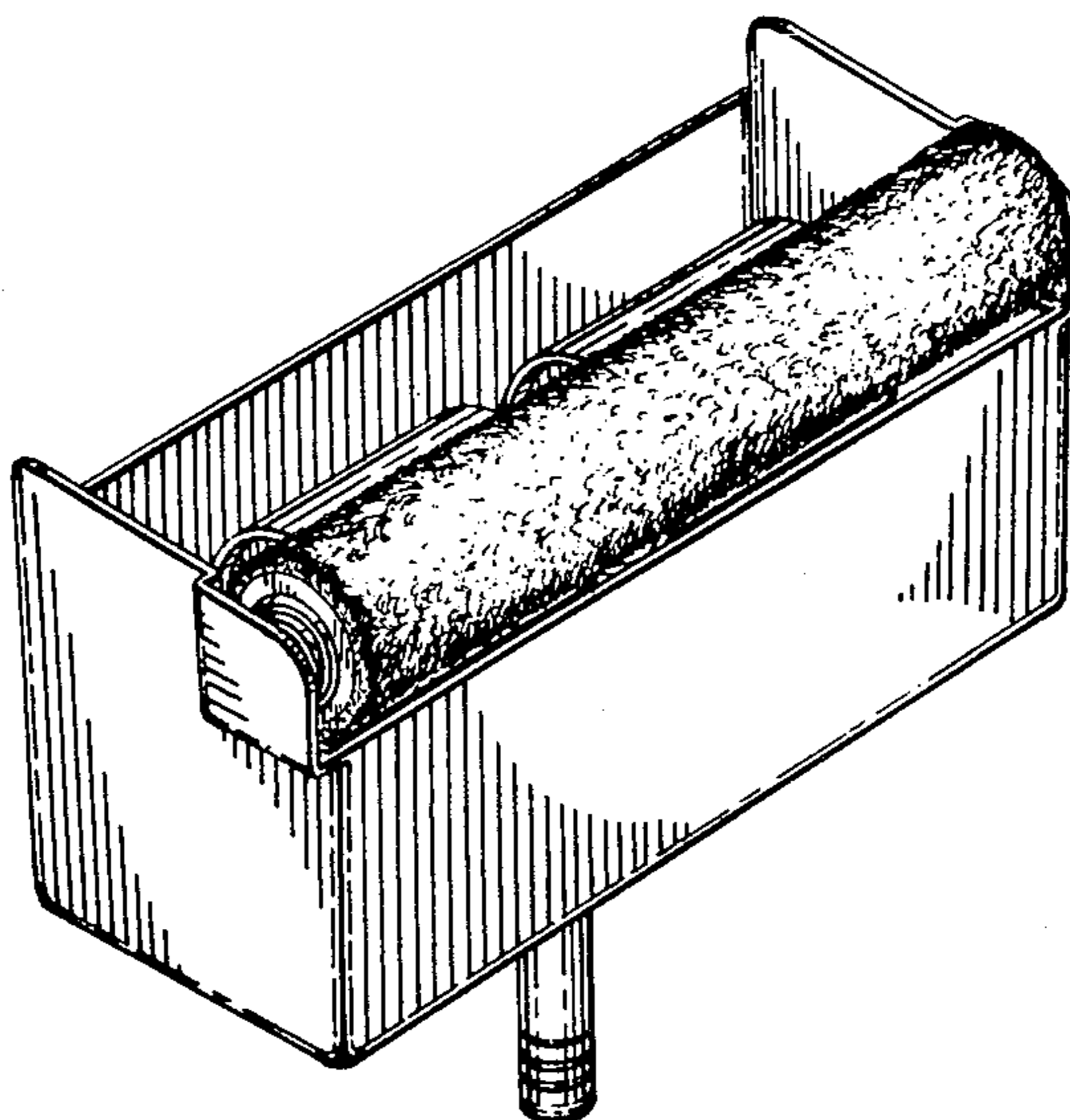
Primary Examiner—Catherine E. Kemper

[57] **CLAIM**

The ornamental design for paint application device, as shown and described.

DESCRIPTION

FIG. 1 is a perspective view of a paint application device, showing my new design;
FIG. 2 is a rear elevational view thereof;
FIG. 3 is a side elevational view, the opposite side being a mirror image thereof;
FIG. 4 is a top plan view thereof;
FIG. 5 is a front elevational view thereof;
FIG. 6 is a bottom plan view thereof.



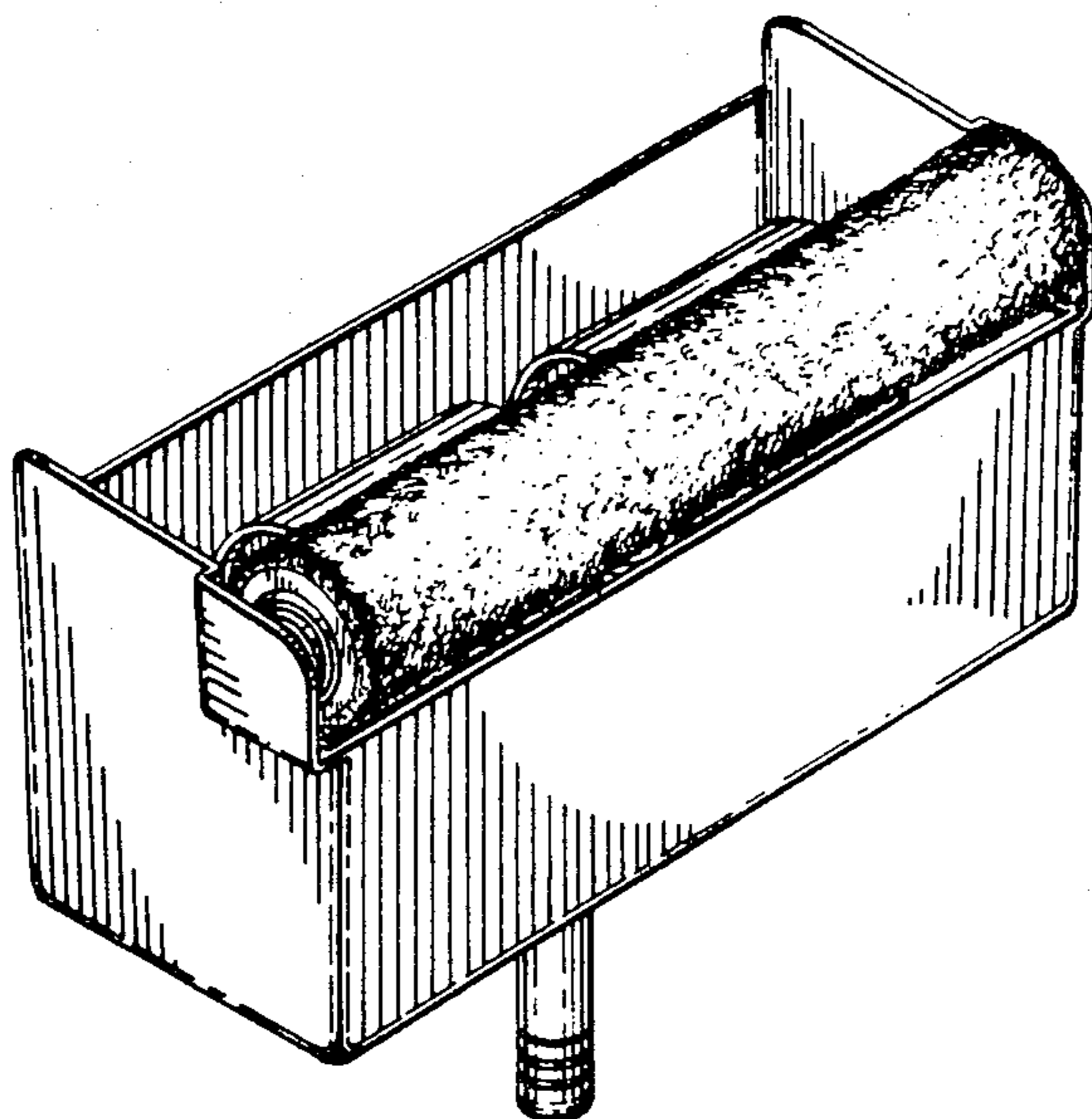


FIG. 1

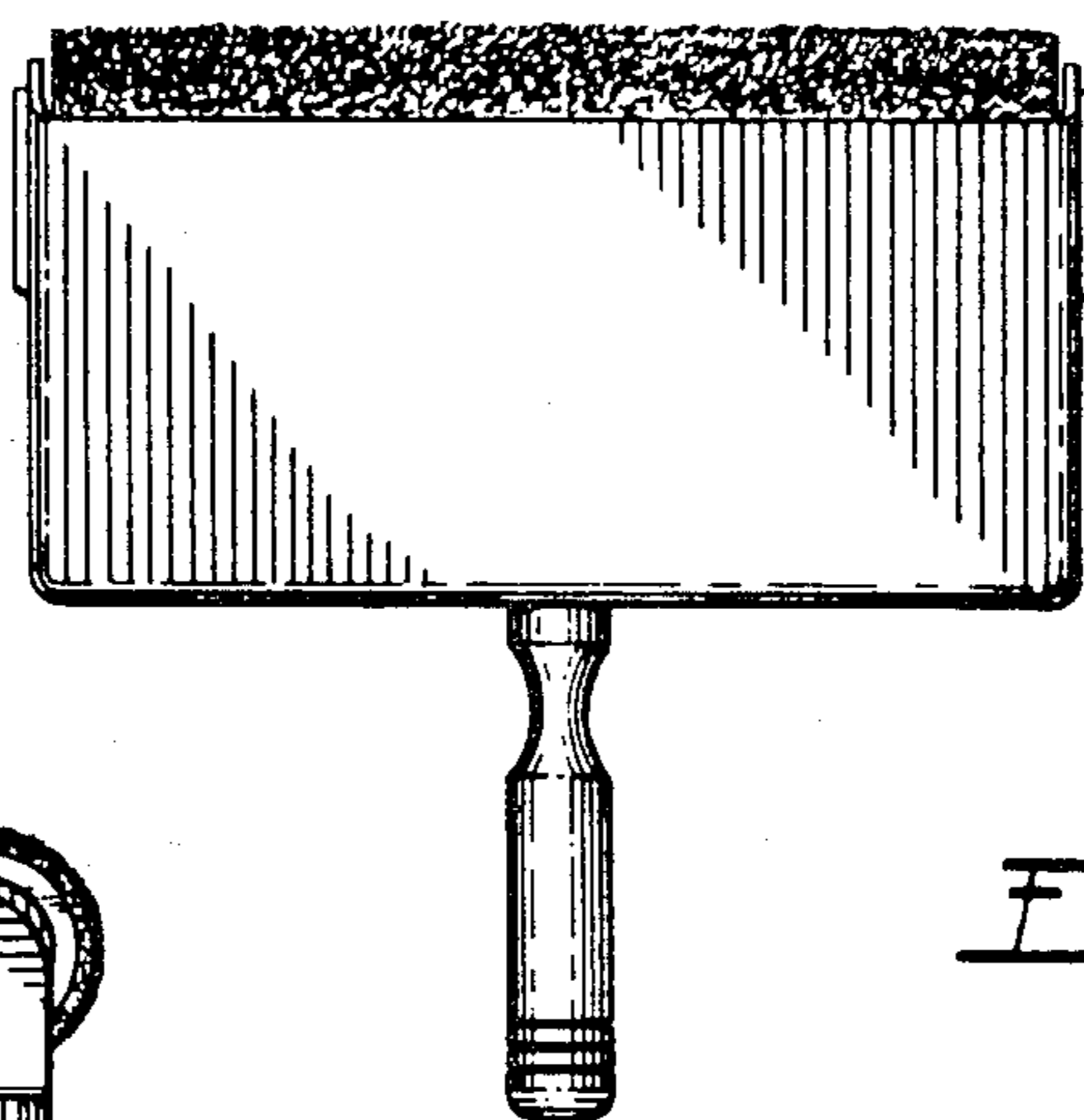


FIG. 2

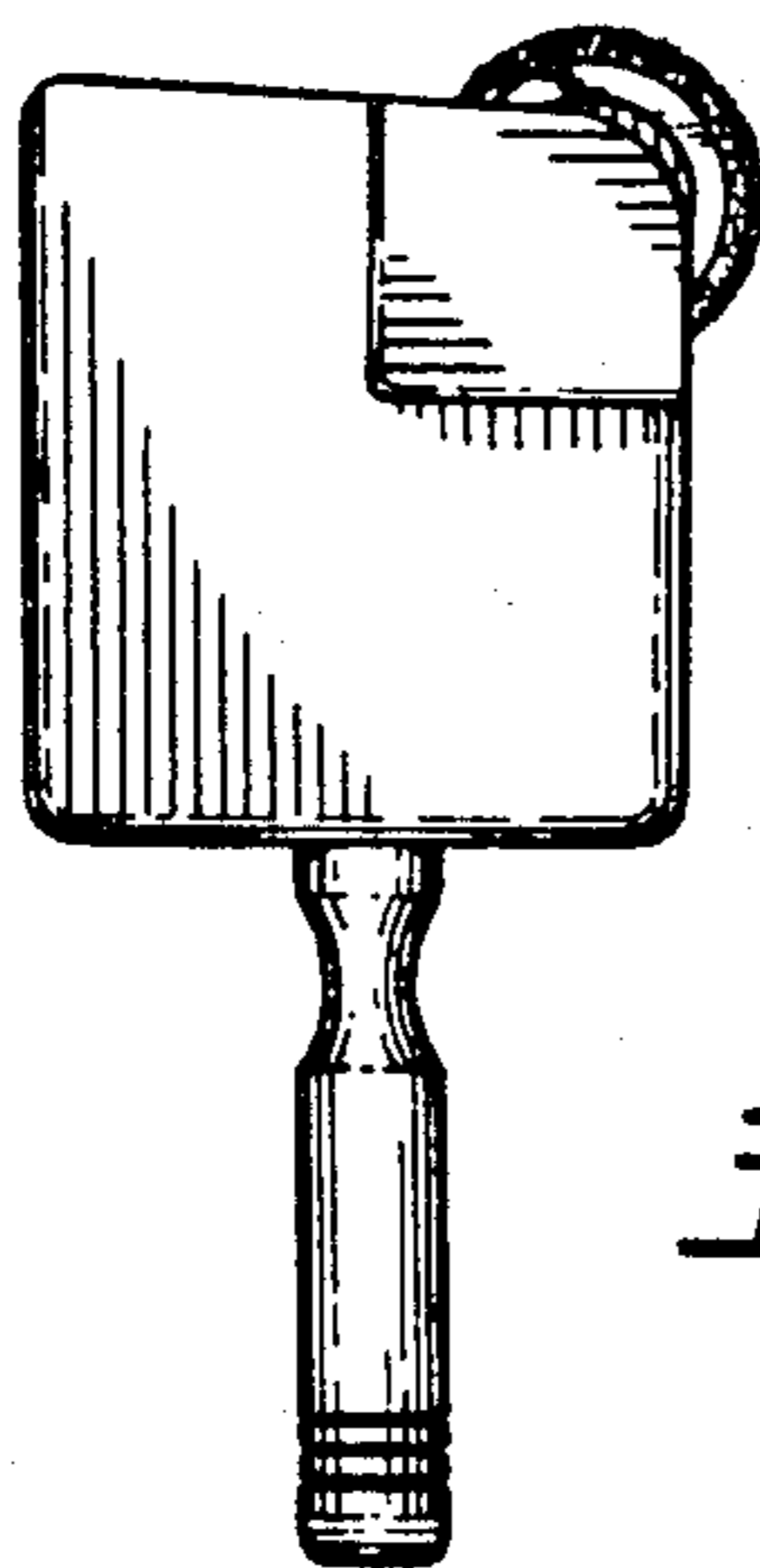


FIG. 3

FIG. 4

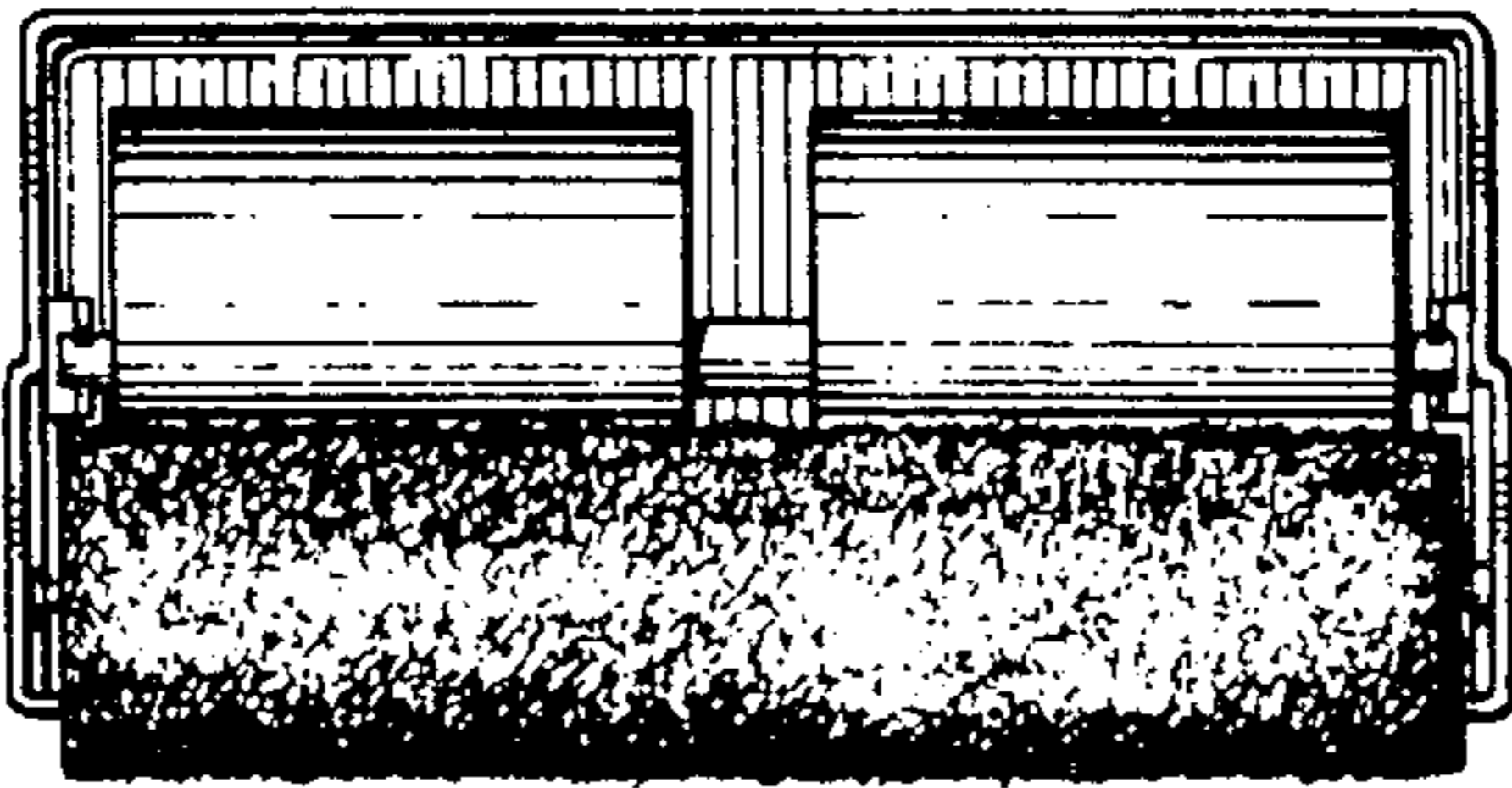


FIG. 5

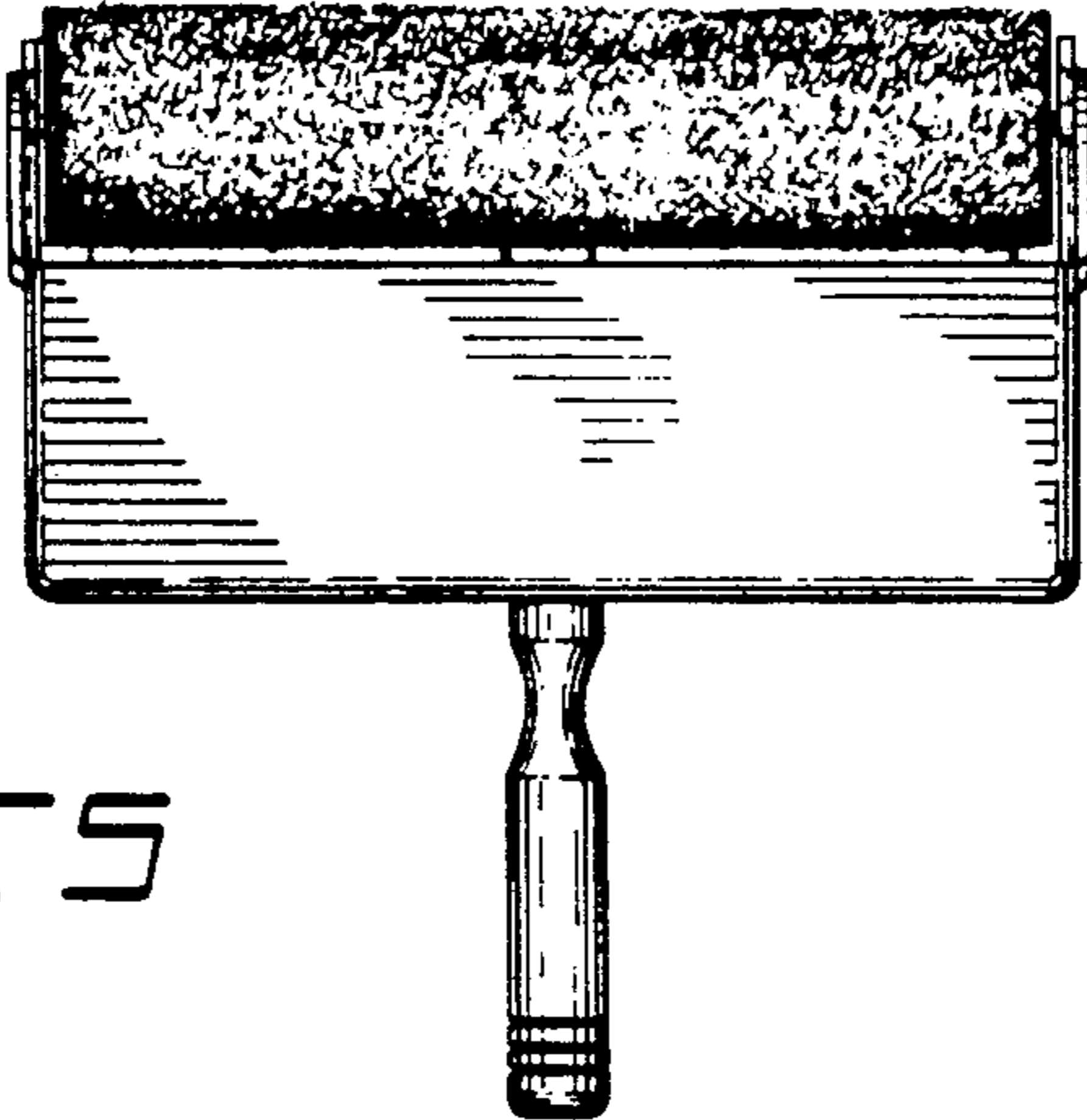


FIG. 6

