

[54] CADDY FOR TOY HAND STAMPS AND CRAYONS

[75] Inventor: Christine M. Zinter-Chahin, Orchard Park, N.Y.

[73] Assignee: The Quaker Oats Company, Chicago, Ill.

[\*\*] Term: 14 Years

[21] Appl. No.: 578,489

[22] Filed: Feb. 9, 1984

[52] U.S. Cl. .... D3/74; D3/30.1; D19/77

[58] Field of Search ..... D19/75, 78-85; 206/214; D3/30.1, 25, 74; D7/2; D9/453; D34/45

[56] References Cited

U.S. PATENT DOCUMENTS

D. 149,638 5/1948 Heider ..... D3/25

D. 173,722 12/1954 Elmyre ..... D19/78  
D. 212,315 9/1968 Taylor ..... D34/44  
D. 279,385 6/1985 Lieberman ..... D19/85  
D. 279,950 8/1985 Wan ..... D7/2

OTHER PUBLICATIONS

CCM Arts & Crafts Inc. Cat. ©1971, p. 110, Item No. 22354.

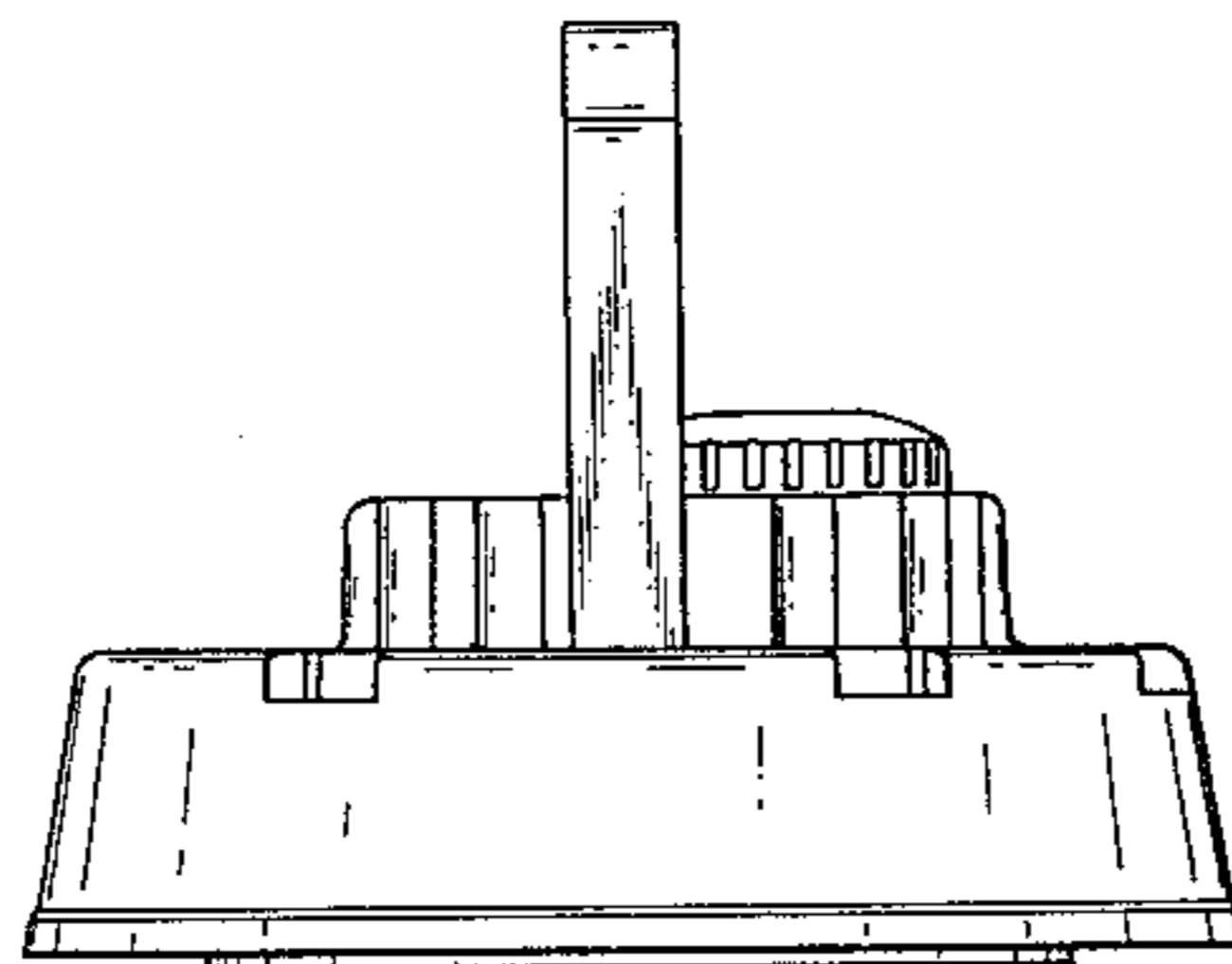
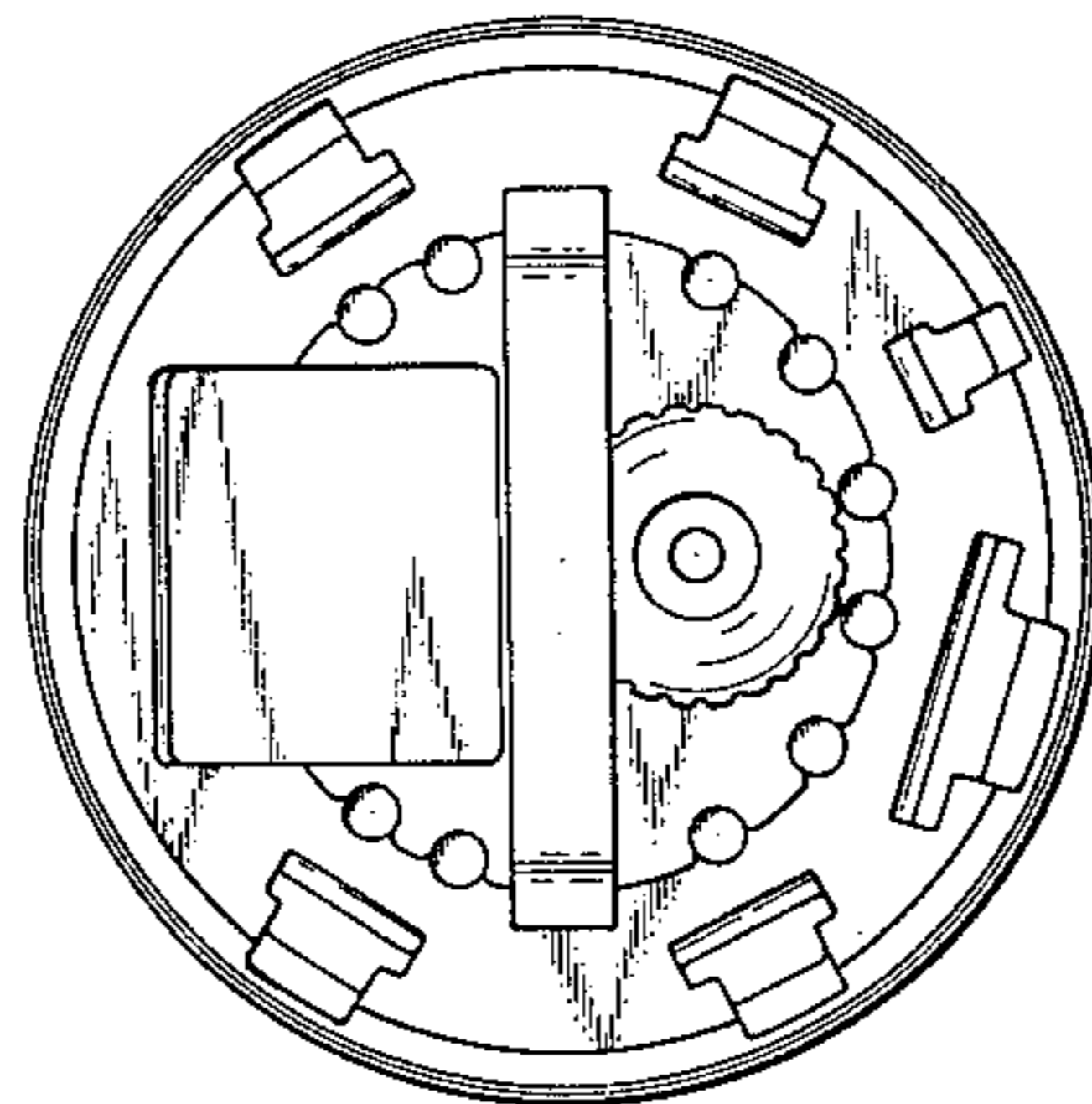
Primary Examiner—George P. Word  
Attorney, Agent, or Firm—Cumpston & Shaw

[57] CLAIM

The ornamental design for a caddy for toy hand stamps and crayons, substantially as shown and described.

DESCRIPTION

FIG. 1 is a top plan view of a caddy for toy hand stamps and crayons showing my new design;  
FIG. 2 is a front elevational view thereof;  
FIG. 3 is a left-side elevational view thereof;  
FIG. 4 is a right-side elevational view thereof; and  
FIG. 5 is a bottom plan view thereof, in reduced scale.



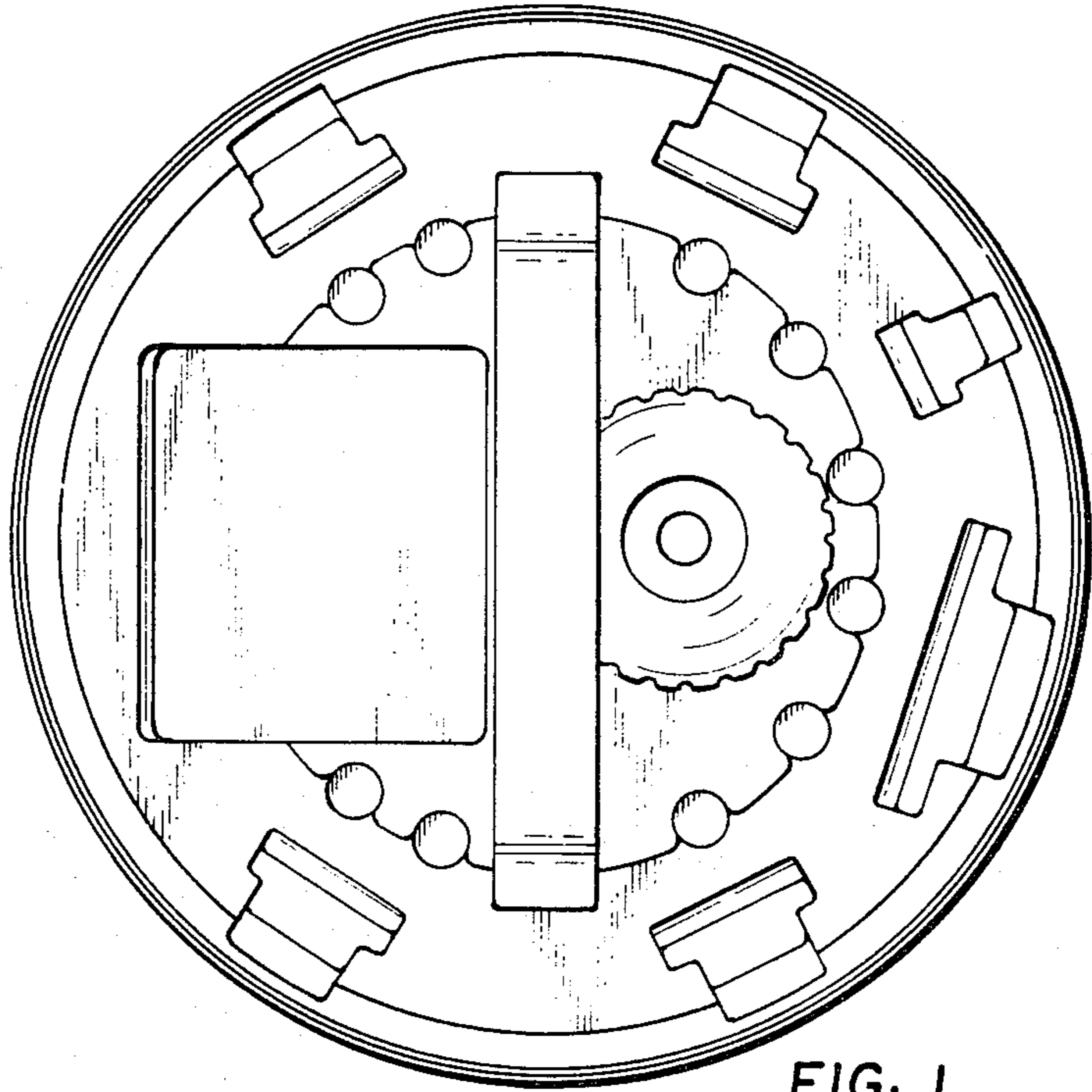


FIG. 1

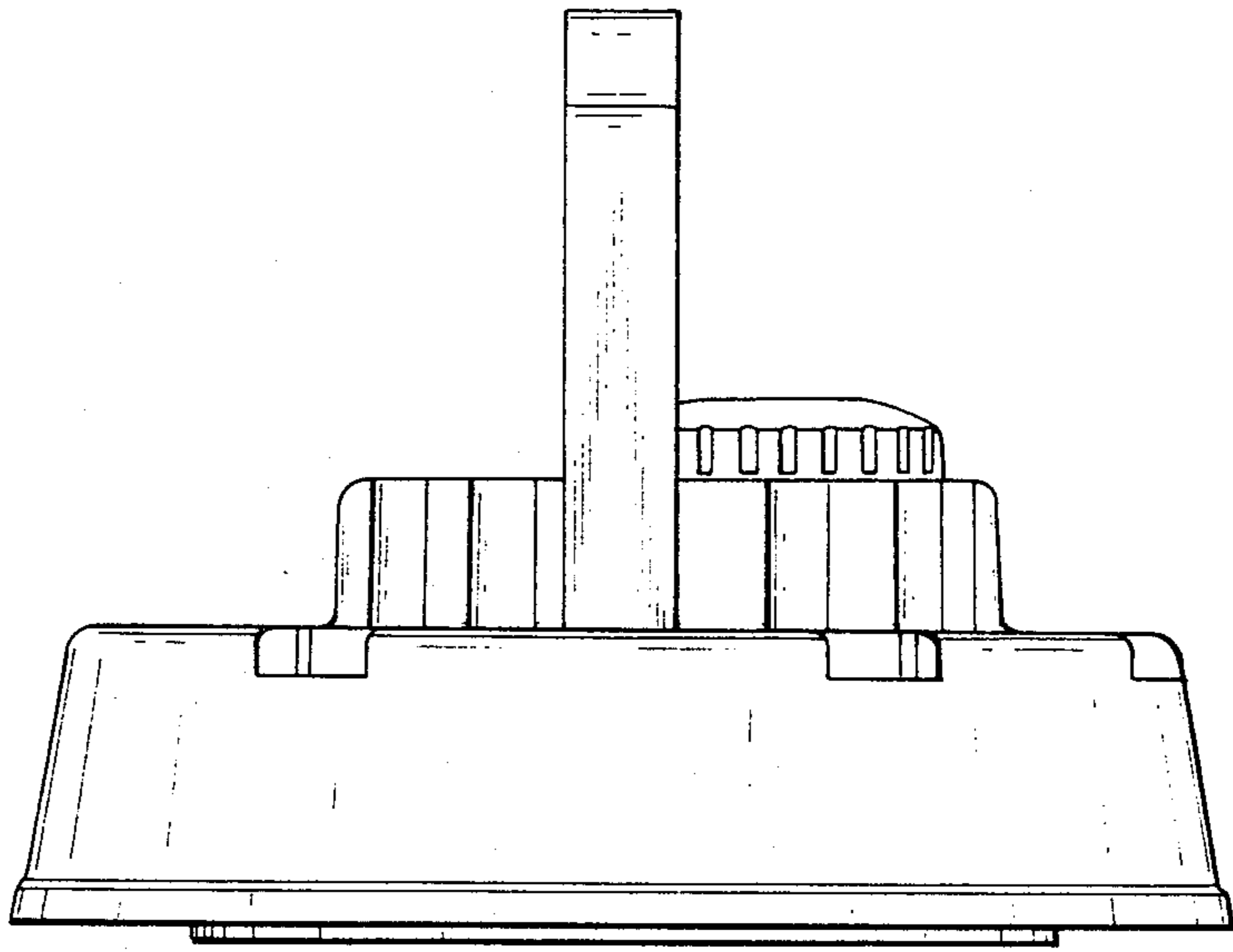


FIG. 2

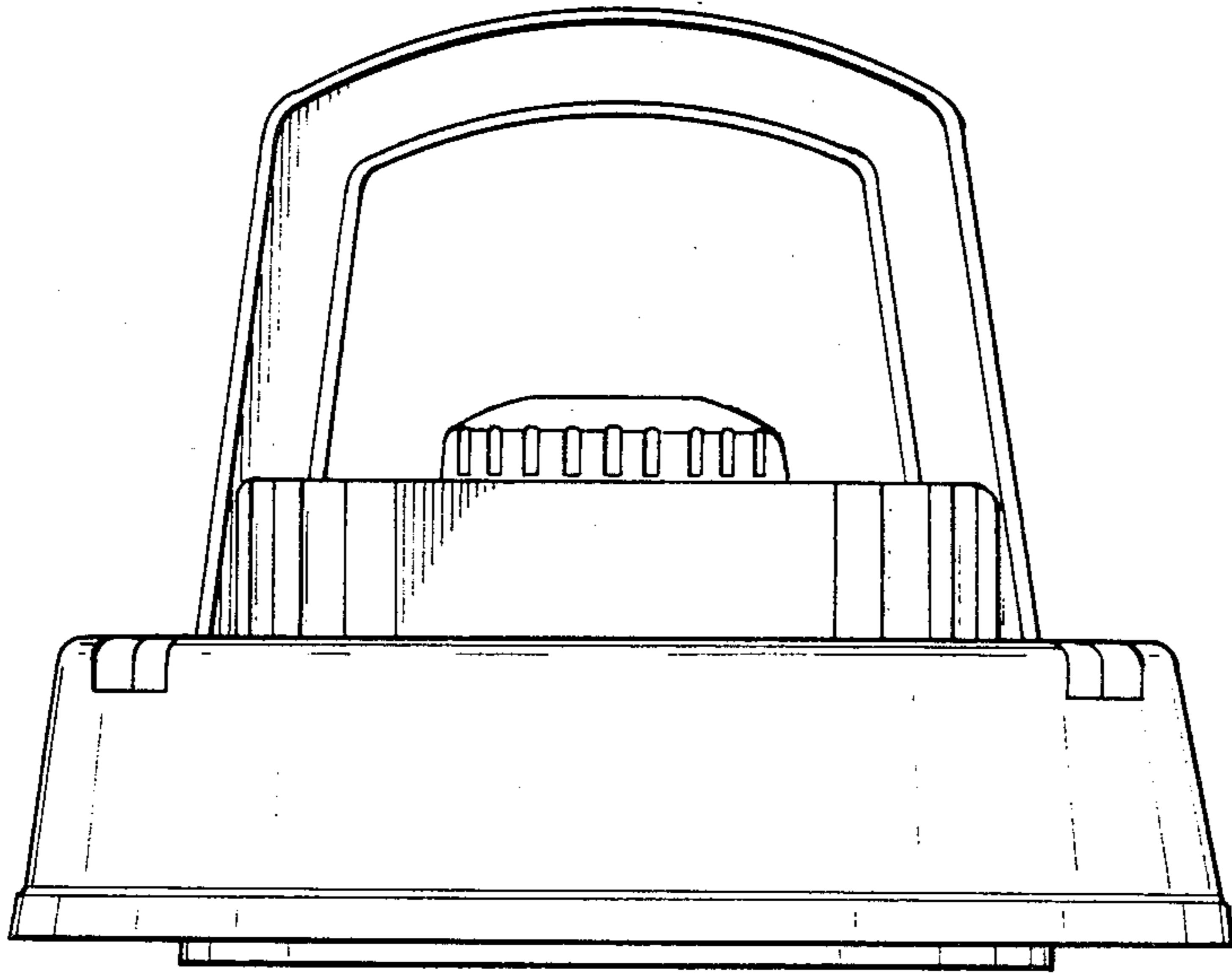


FIG. 3

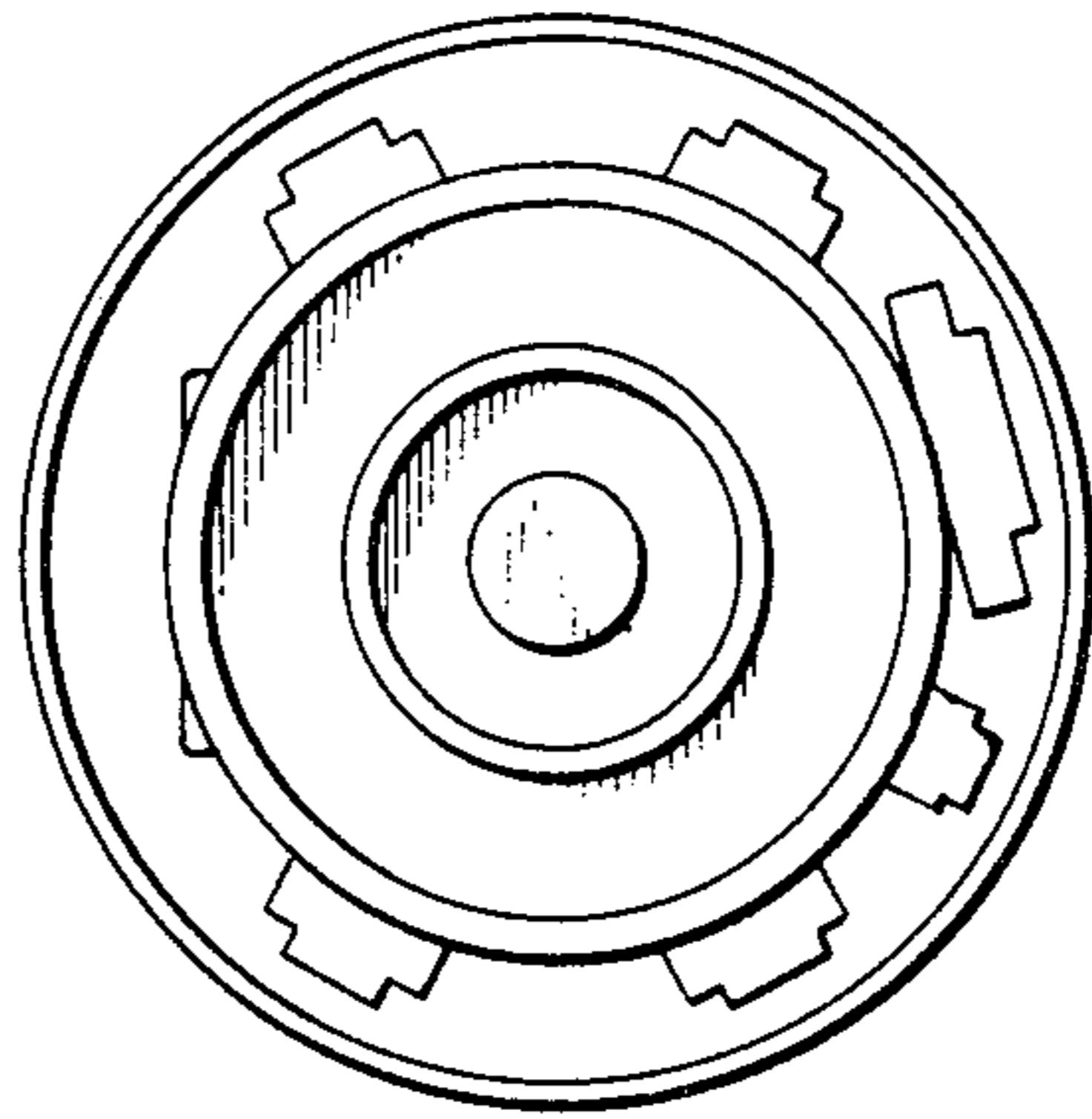


FIG. 5

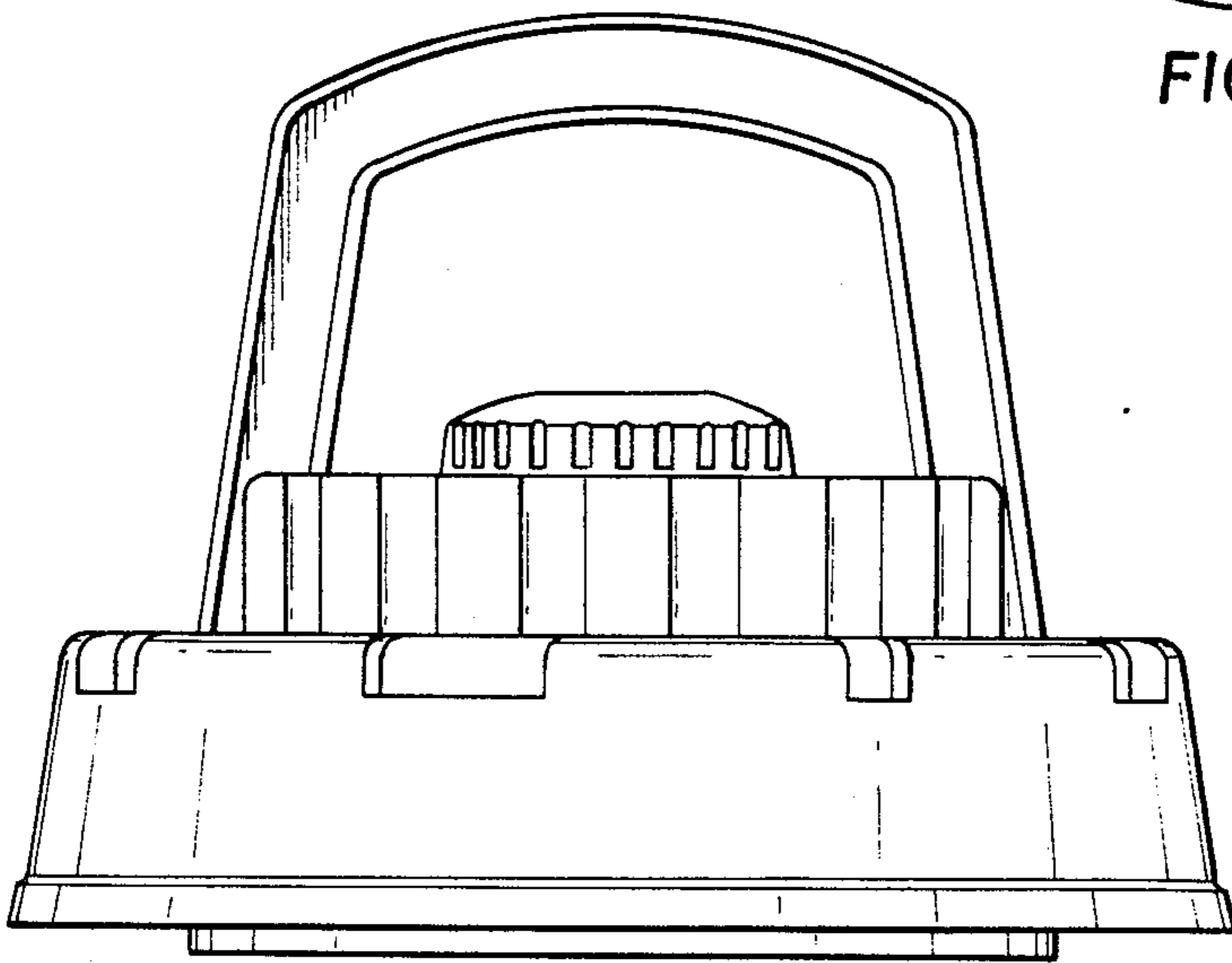


FIG. 4