

[54] **LUMINAIRE**
[75] **Inventor: John W. Harvey, Newark, Ohio**
[73] **Assignee: Manville Service Corporation, Denver, Colo.**
[**] **Term: 14 Years**
[21] **Appl. No.: 533,170**
[22] **Filed: Sep. 16, 1983**
[52] **U.S. Cl. D26/67**
[58] **Field of Search D26/24, 67-71; 362/431, 362, 235, 250, 257, 297, 307, 310, 311, 368, 370**

D. 199,409 10/1964 Van Steenhoven D26/67

FOREIGN PATENT DOCUMENTS

625386 8/1961 Canada 362/431

Primary Examiner—Susan J. Lucas
Attorney, Agent, or Firm—John D. Lister; Cornelius P. Quinn

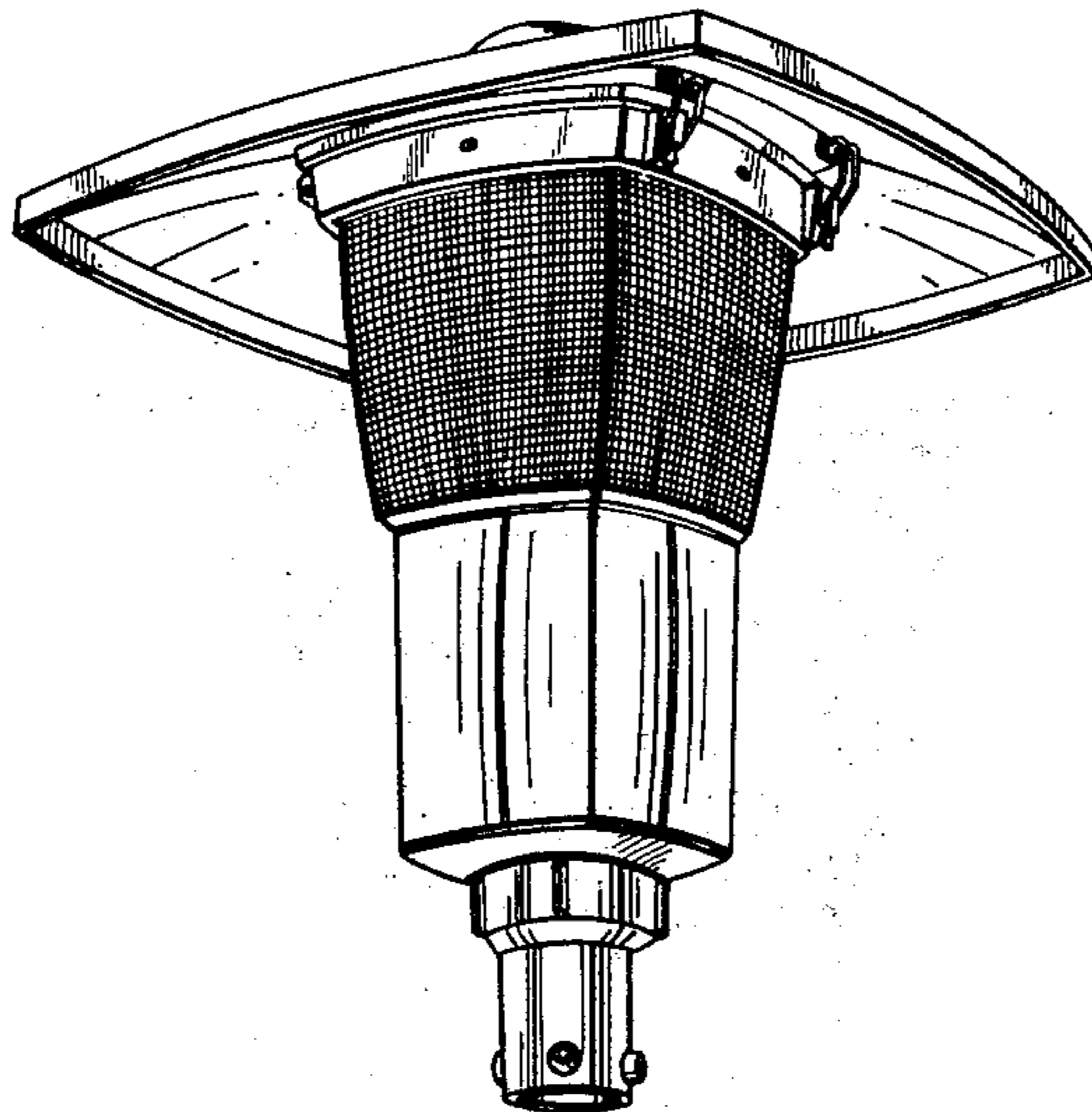
[57] **CLAIM**

The ornamental design for a luminaire, as shown and described.

DESCRIPTION

FIG. 1 is a perspective view of a luminaire showing my new design;
FIG. 2 is a side elevational view thereof, all sides being identical;
FIG. 3 is a top perspective view thereof.

[56] **References Cited**
U.S. PATENT DOCUMENTS
D. 199,267 9/1964 Harling et al. D26/67



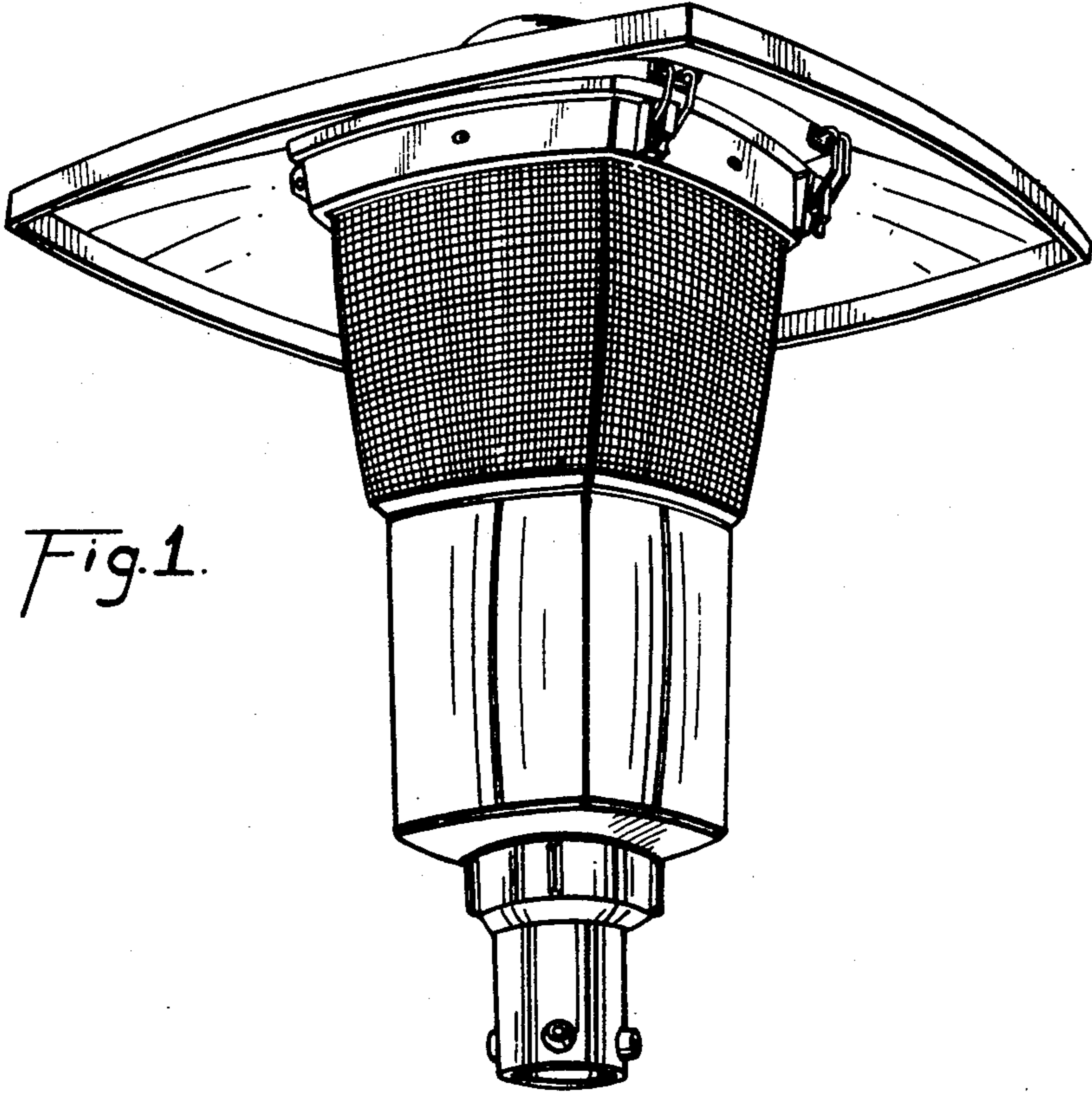


Fig. 1.

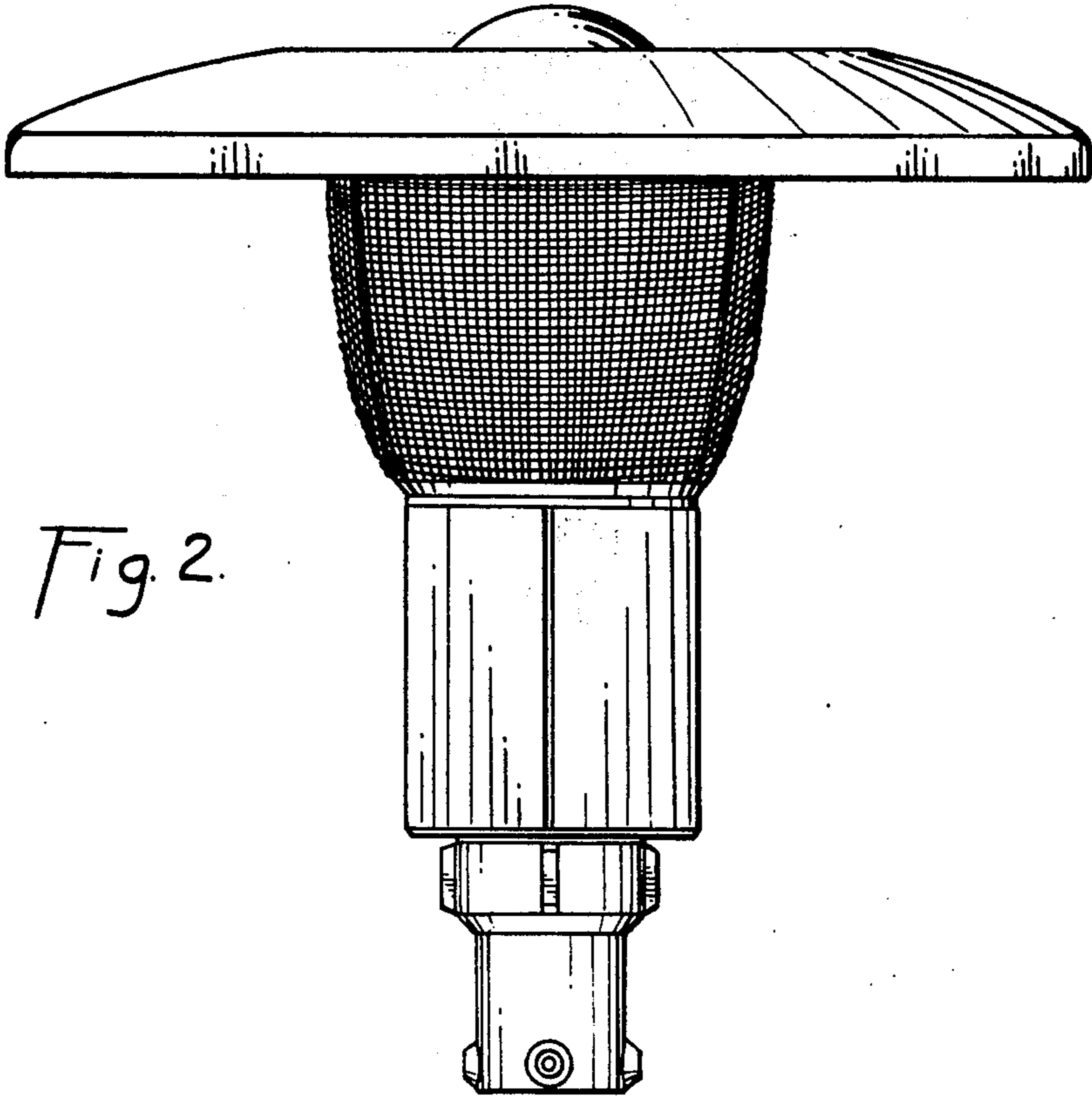


Fig. 2.

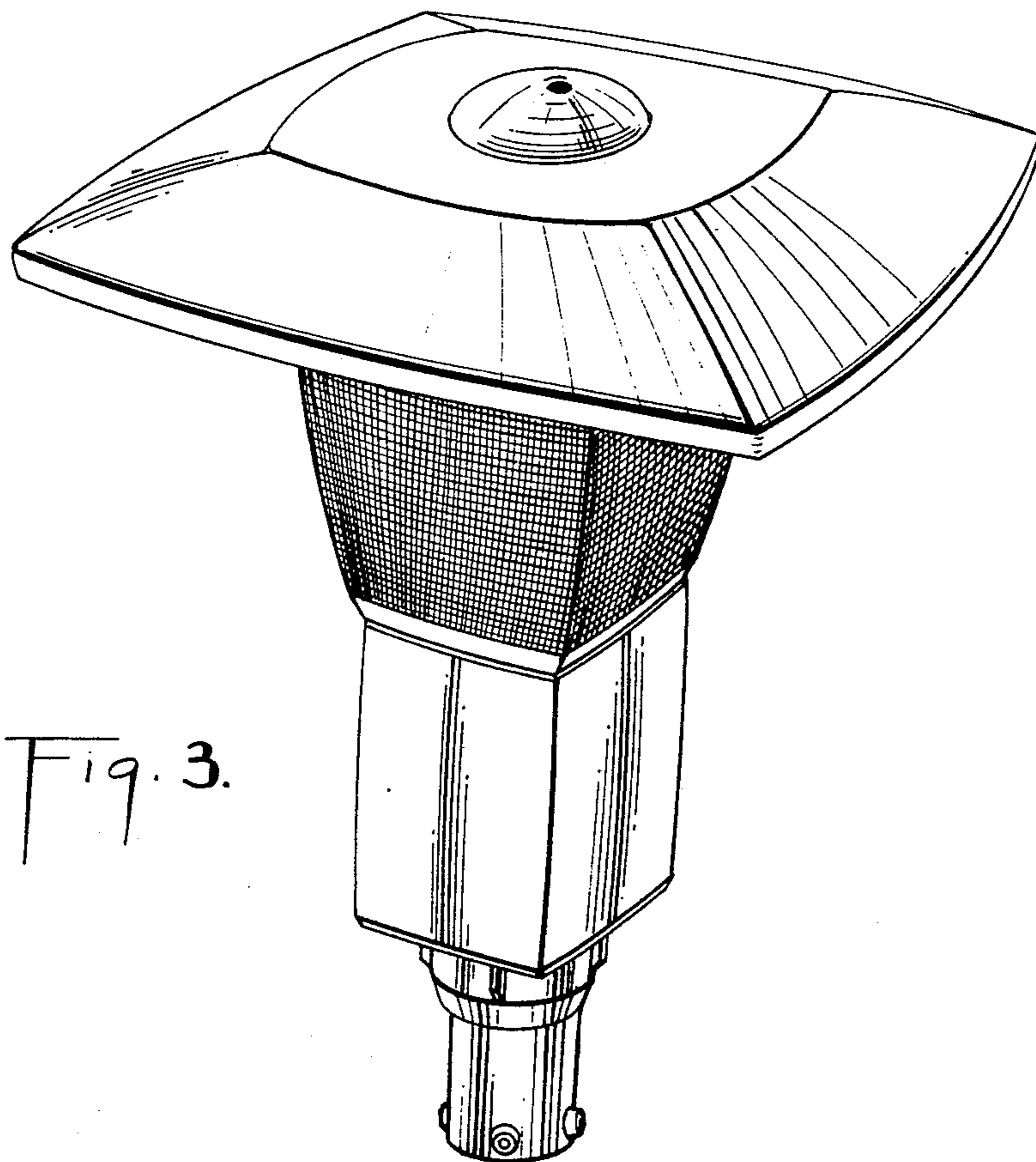


Fig. 3.