

[54] DRIP-FEED VALVE

[76] Inventor: Malcolm F. Hamilton, 10 Hissenben Gardens, Morden, Surrey, England

[**] Term: 14 Years

[21] Appl. No.: 433,306

[22] Filed: Oct. 7, 1982

[52] U.S. Cl. D24/53

[58] Field of Search D24/24, 25, 53, 8, 38, D24/52, 36, 34, 31, 29, 17; D23/34, 35; 239/542, 581, 538, 390, 391, 397

[56] References Cited

U.S. PATENT DOCUMENTS

4,190,206	2/1980	Atkinson et al.	239/542
4,195,780	4/1980	Inglis	239/581
4,288,035	9/1981	Rosenburg	239/542

FOREIGN PATENT DOCUMENTS

0743636	6/1980	U.S.S.R.	239/542
---------	--------	---------------	---------

OTHER PUBLICATIONS

Hardware Age, Apr. 7, 1960, p. 136.

Primary Examiner—A. Hugo Word
Attorney, Agent, or Firm—Neil F. Markva

[57] CLAIM

The ornamental design for the drip-feed valve, as shown and described.

DESCRIPTION

FIG. 1 is a front elevational view of a drip-feed valve in a closed position showing my new drawing;
 FIG. 2 is a sectional view of the drip-feed valve as shown in FIG. 1 in an open position with one part of the valve rotated through 180° relative to the other part;
 FIG. 3 is a top plan view of the drip-feed valve as shown in FIG. 1 with the two parts including a front section and a rear section being separated from the other;
 FIG. 4 is a sectional view of the drip-feed valve as shown in FIG. 1 and taken on line IV—IV;
 FIG. 5 is a left end view of the drip-feed valve as shown in FIG. 1;
 FIG. 6 is a right end view of the drip-feed valve as shown in FIG. 1;
 FIG. 7 is a right end view of the front section of the drip-feed valve as shown separated in FIG. 3;
 FIG. 8 is a left end view of the rear section of the drip-feed valve as shown separated in FIG. 3;
 FIG. 9 is a front perspective view of the drip-feed valve as shown in FIG. 1; and
 FIG. 10 is a rear perspective view of the drip-feed valve as shown in FIG. 1.

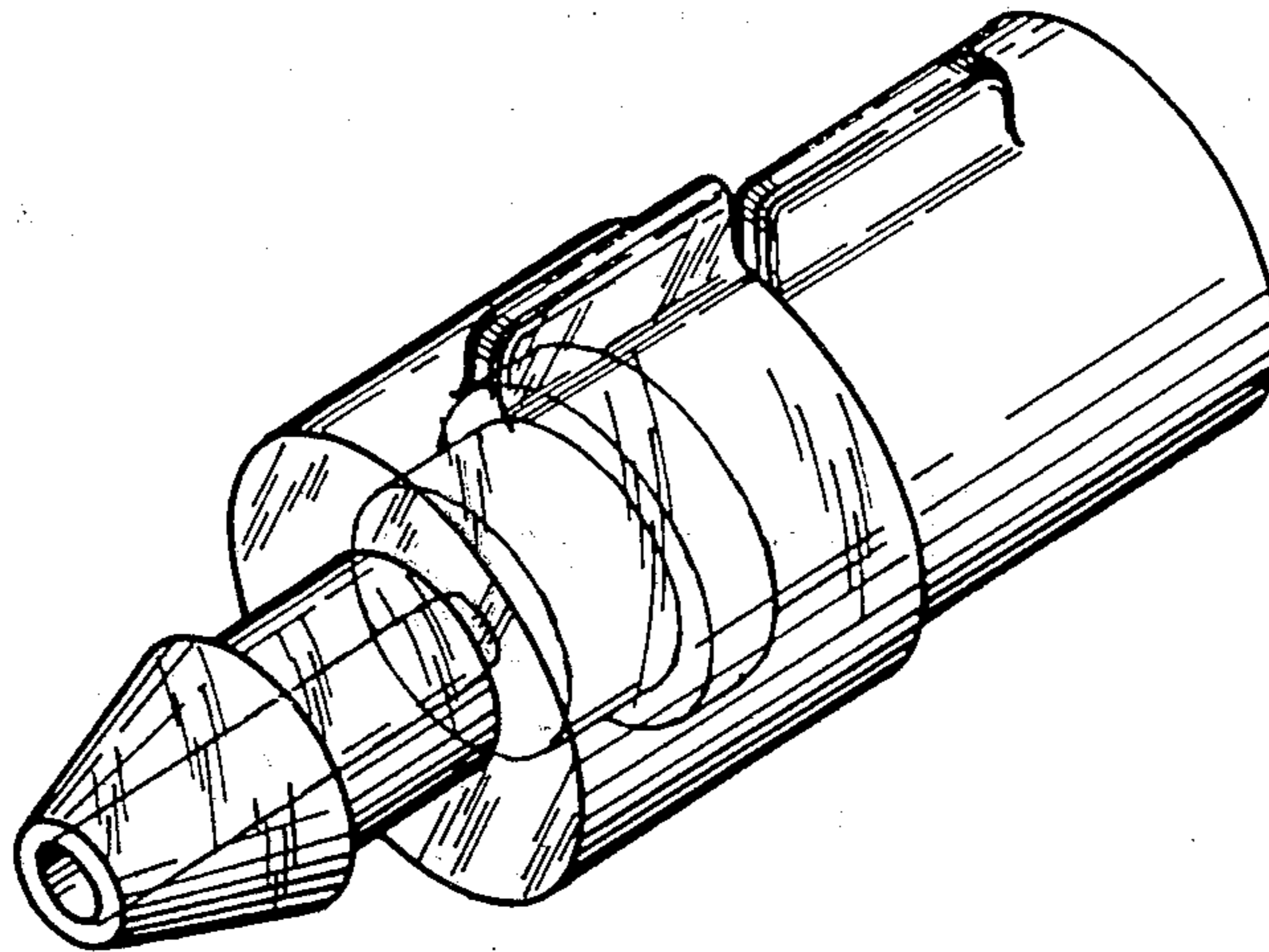


FIG. 1.

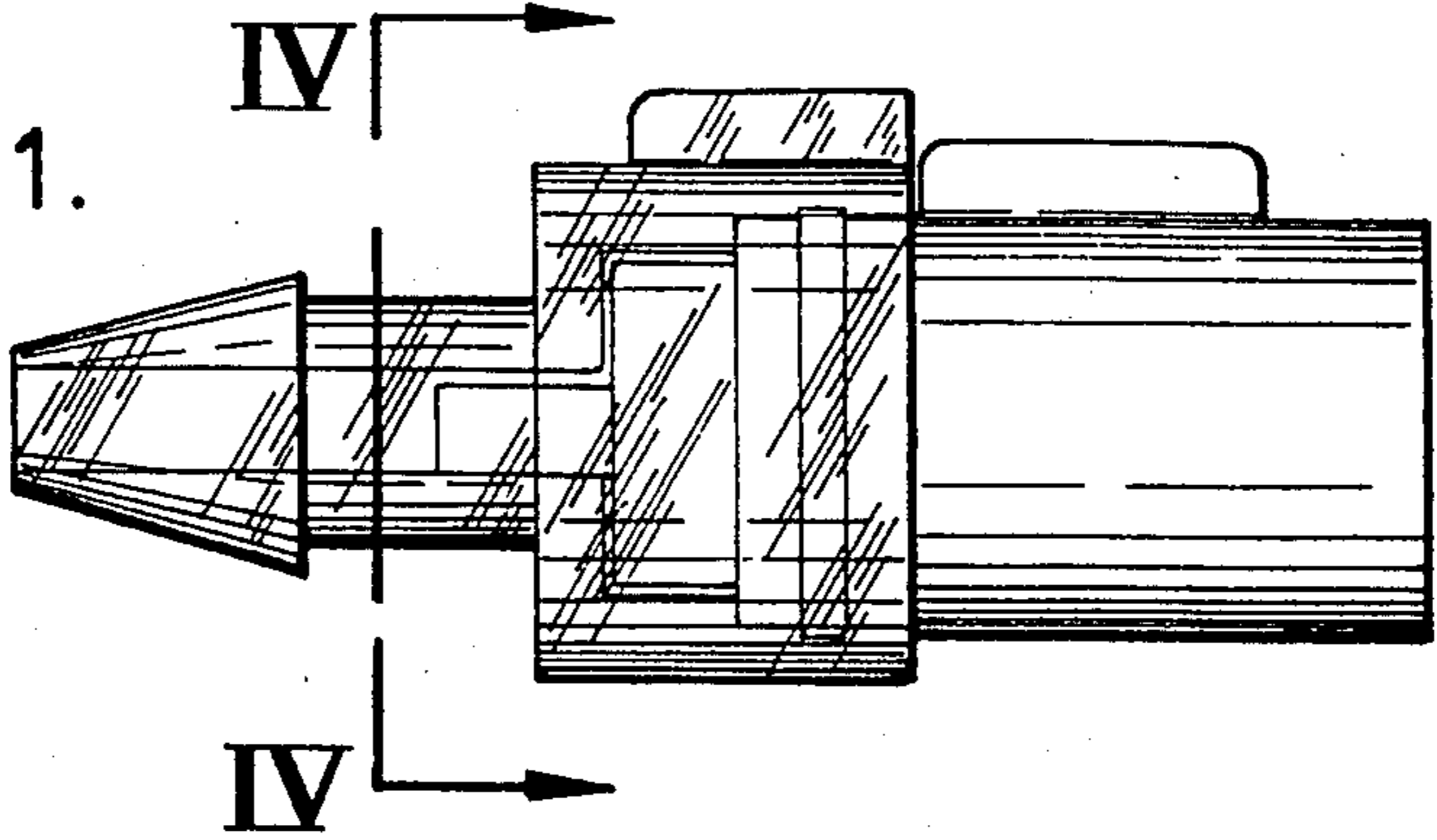


FIG. 2.

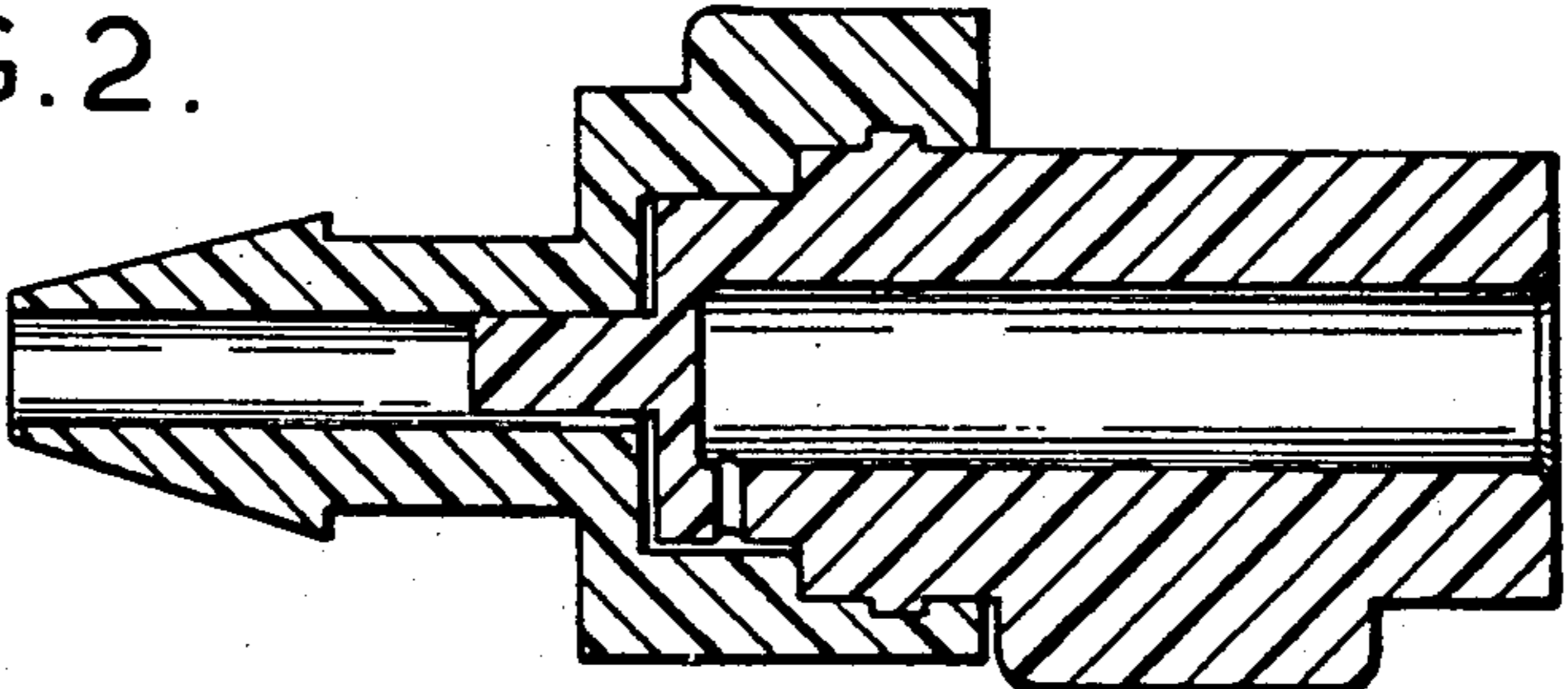


FIG. 3.

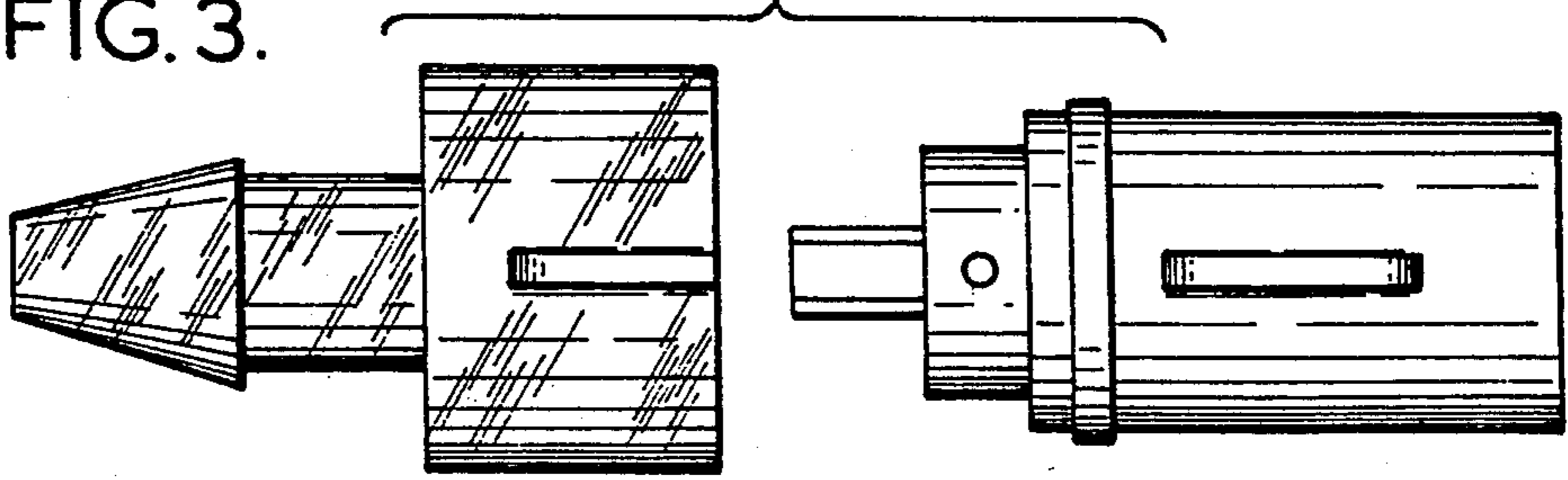


FIG. 4.

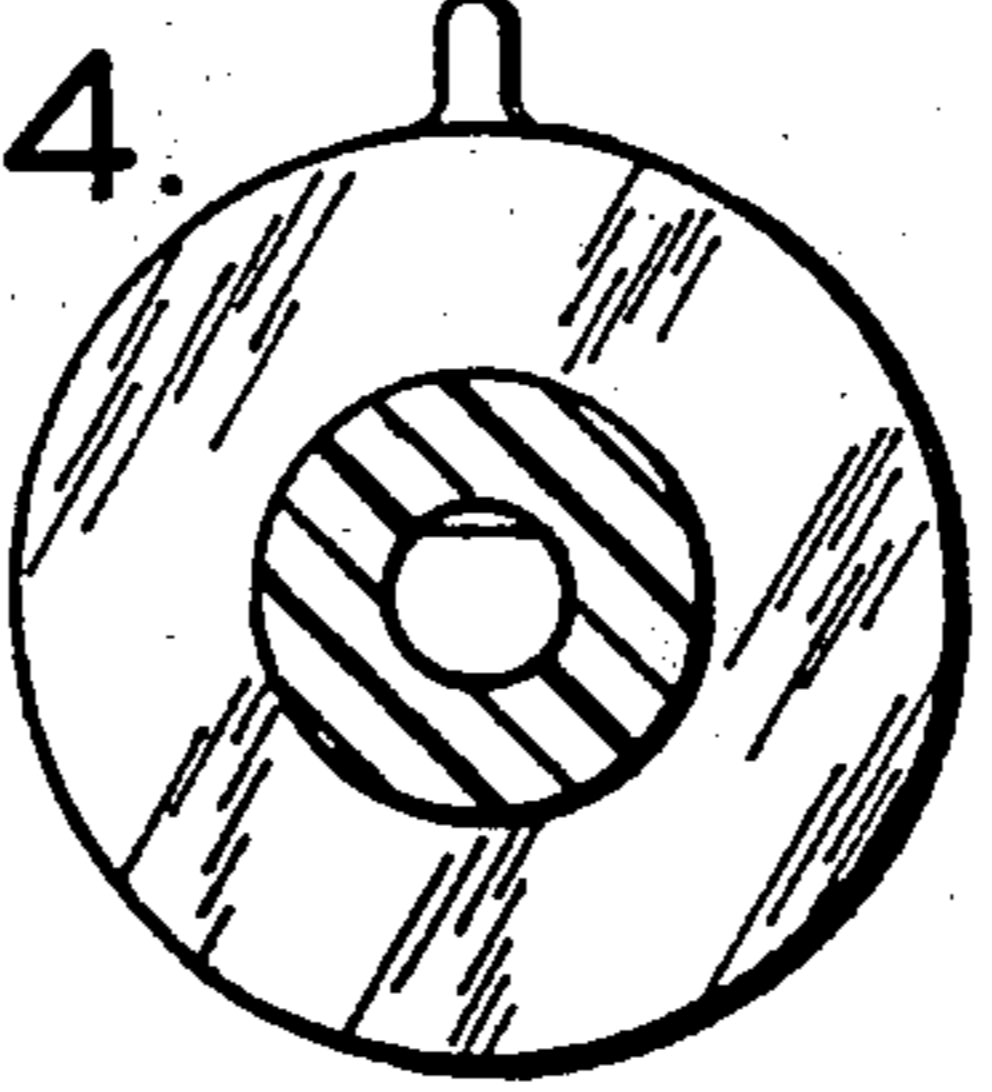


FIG. 5.

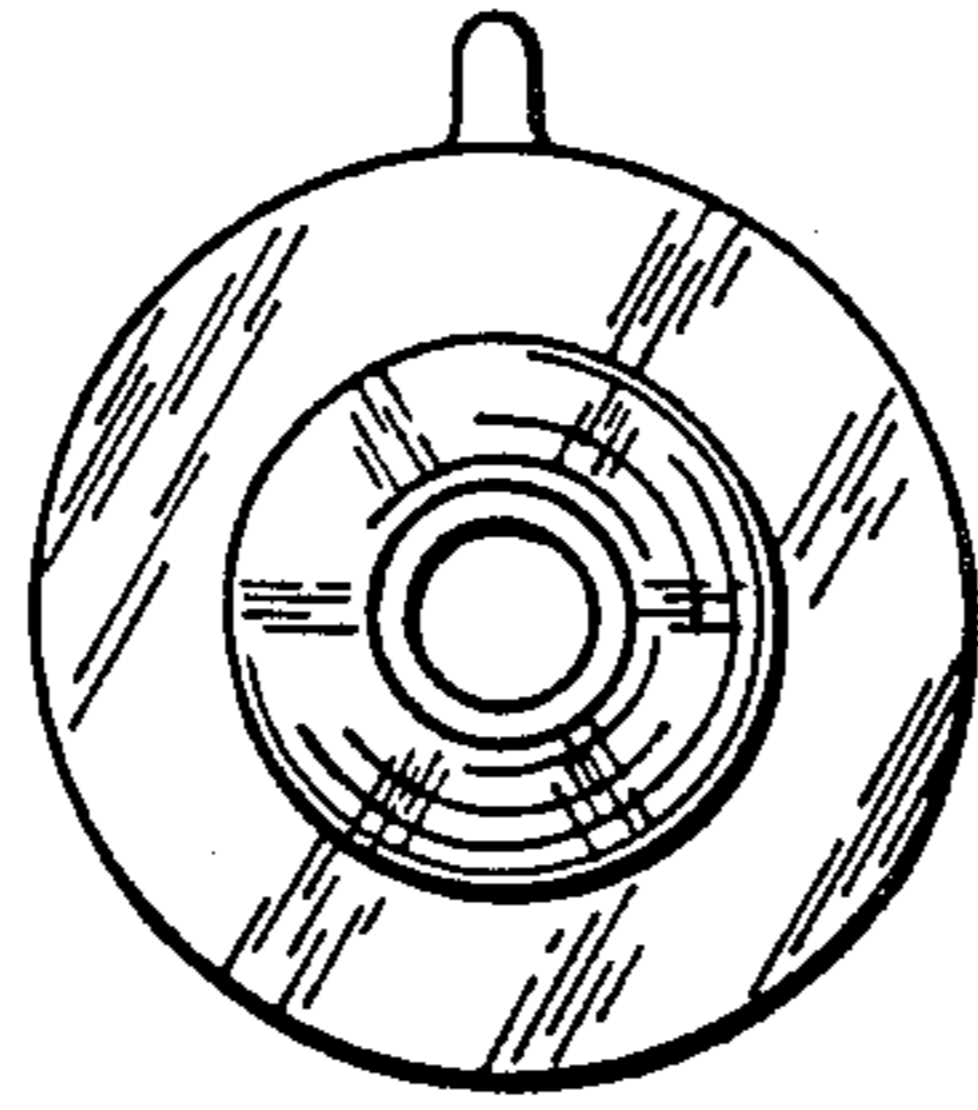


FIG. 6.

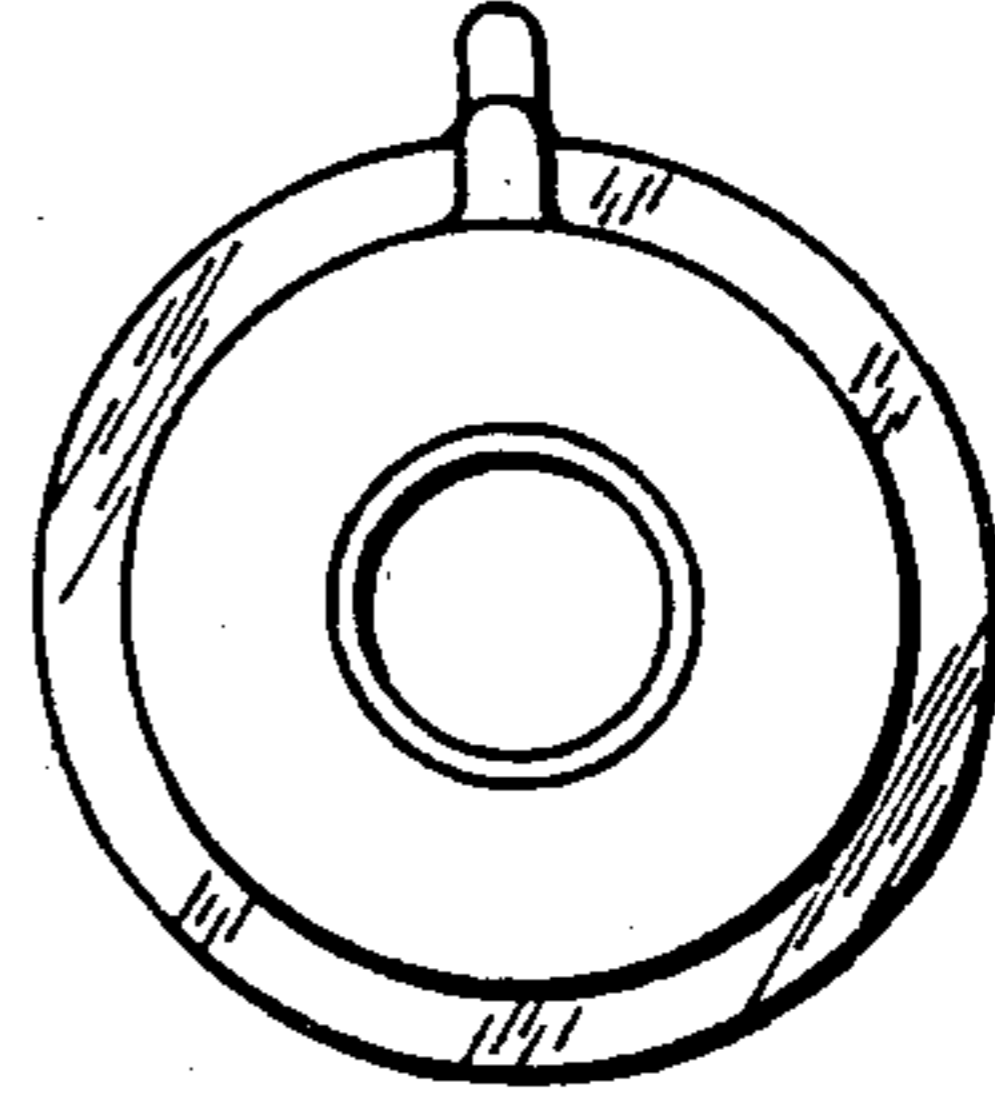


FIG. 7.

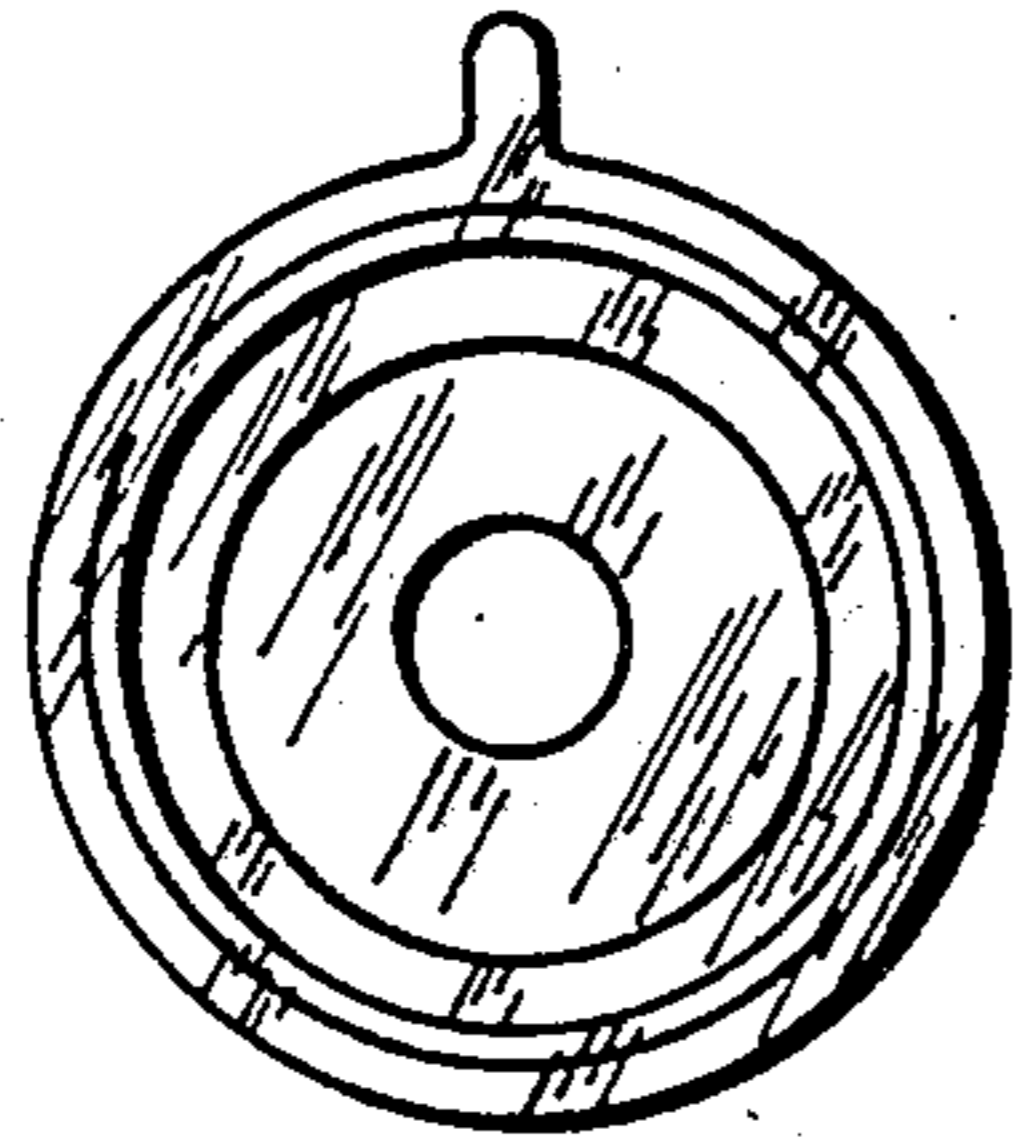


FIG. 8.

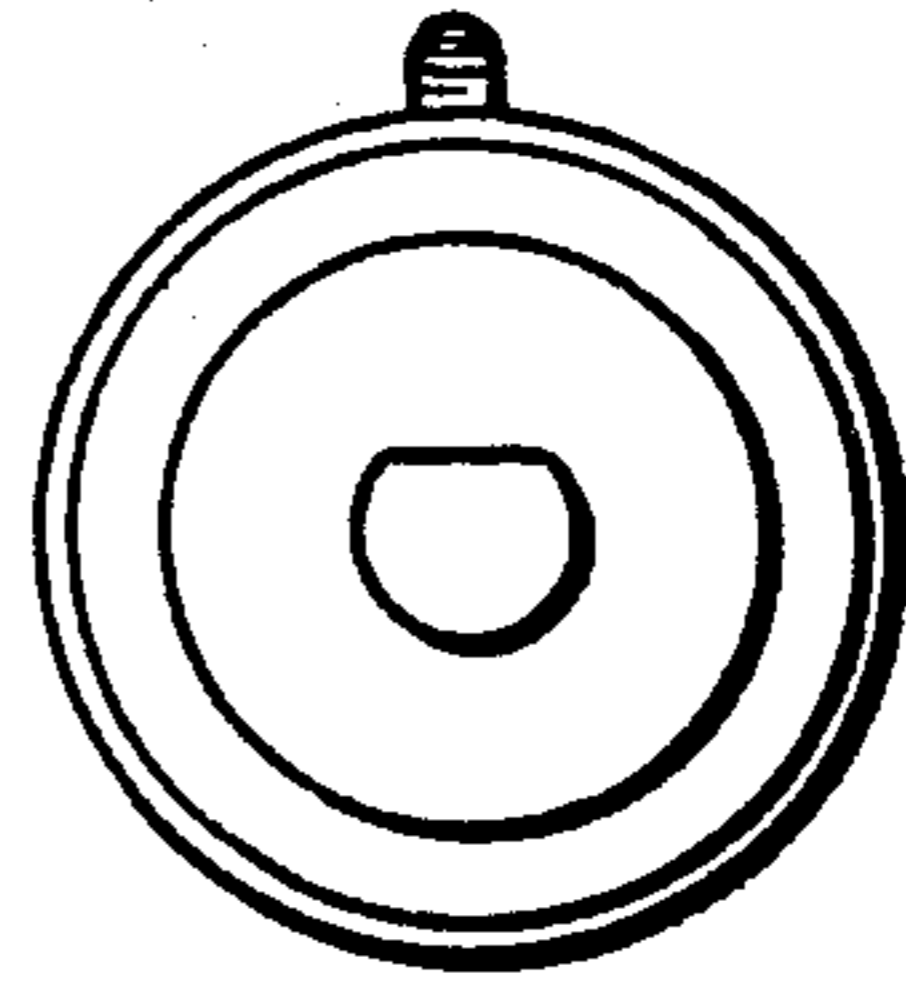


FIG. 9.

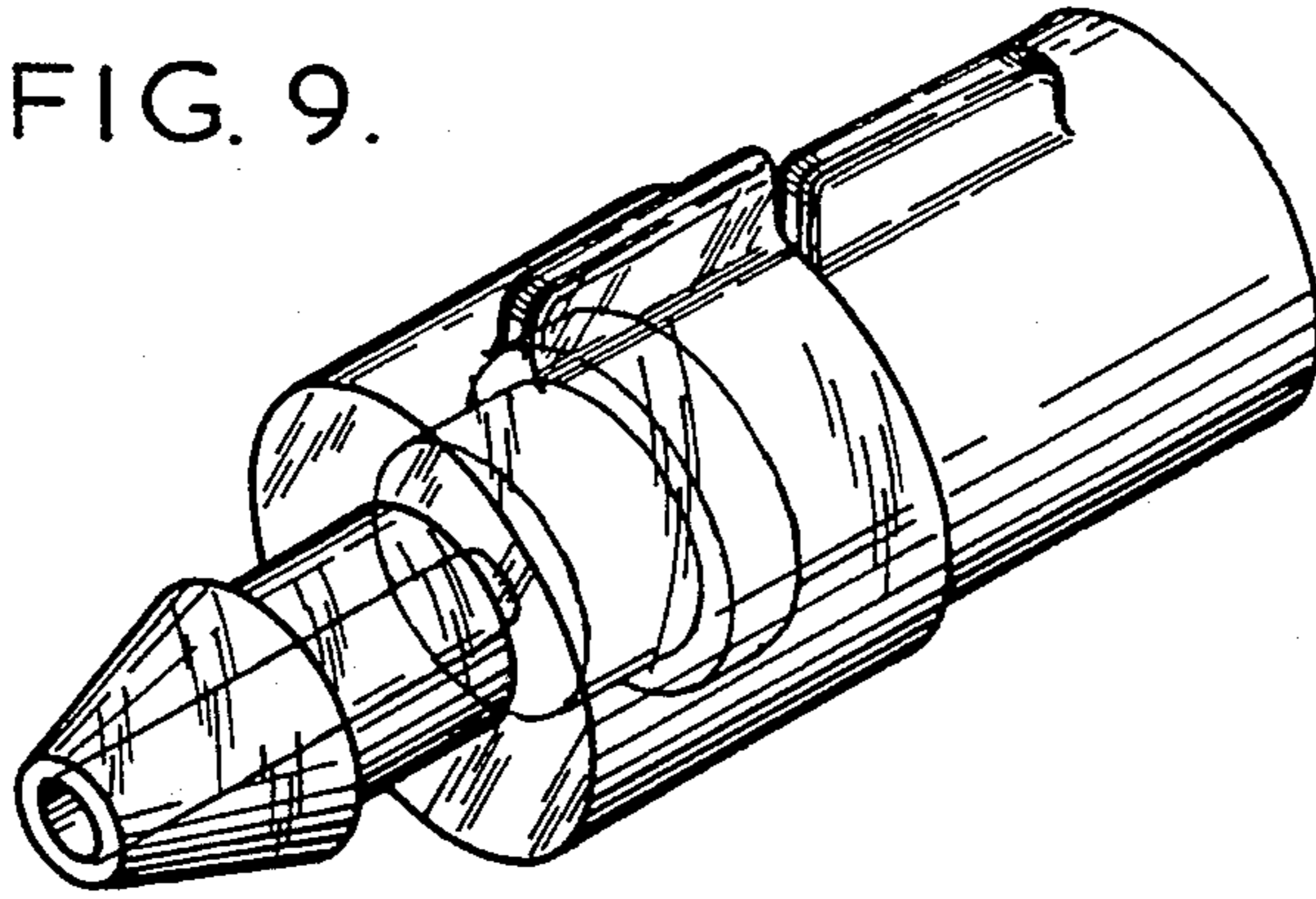


FIG. 10.

