

[54] ENTERAL FEEDING PUMP

4,470,758 9/1984 Pazemenas et al. 604/245X

[75] Inventor: Gerald Kerkut, Southampton, England

Primary Examiner—A. Hugo Word

Assistant Examiner—Stella M. Reid

[73] Assignee: Abbott Laboratories, North Chicago, Ill.

Attorney, Agent, or Firm—Martin L. Katz; Margaret M. O'Brien

[**] Term: 14 Years

[57] CLAIM

The ornamental design for an enteral feeding pump, or the like substantially as shown and described.

[21] Appl. No.: 456,662

[22] Filed: Jan. 10, 1983

DESCRIPTION

[52] U.S. Cl. D24/51

[58] Field of Search D24/51, 8, 17, 26; 604/65, 67, 245, 246, 253

FIG. 1 is a front perspective view of an enteral feeding pump showing my new design;

FIG. 2 is a front elevational view thereof;

FIG. 3 is a right side elevational view thereof;

FIG. 4 is a left side elevational view thereof;

FIG. 5 is a rear elevational view thereof;

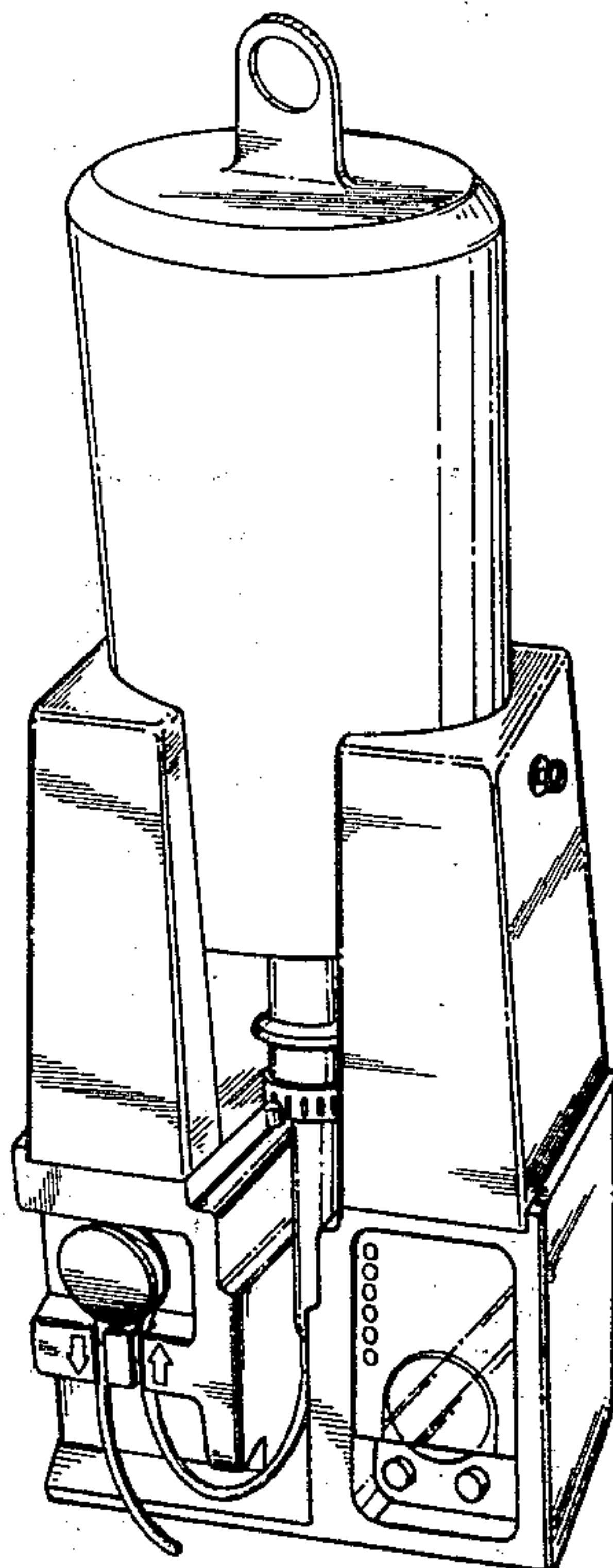
FIG. 6 is a top plan view thereof; and

FIG. 7 is a bottom plan view thereof.

[56] References Cited

U.S. PATENT DOCUMENTS

- 3,138,104 6/1964 Cantor D24/8
- 3,832,998 9/1974 Gregg 604/253 X



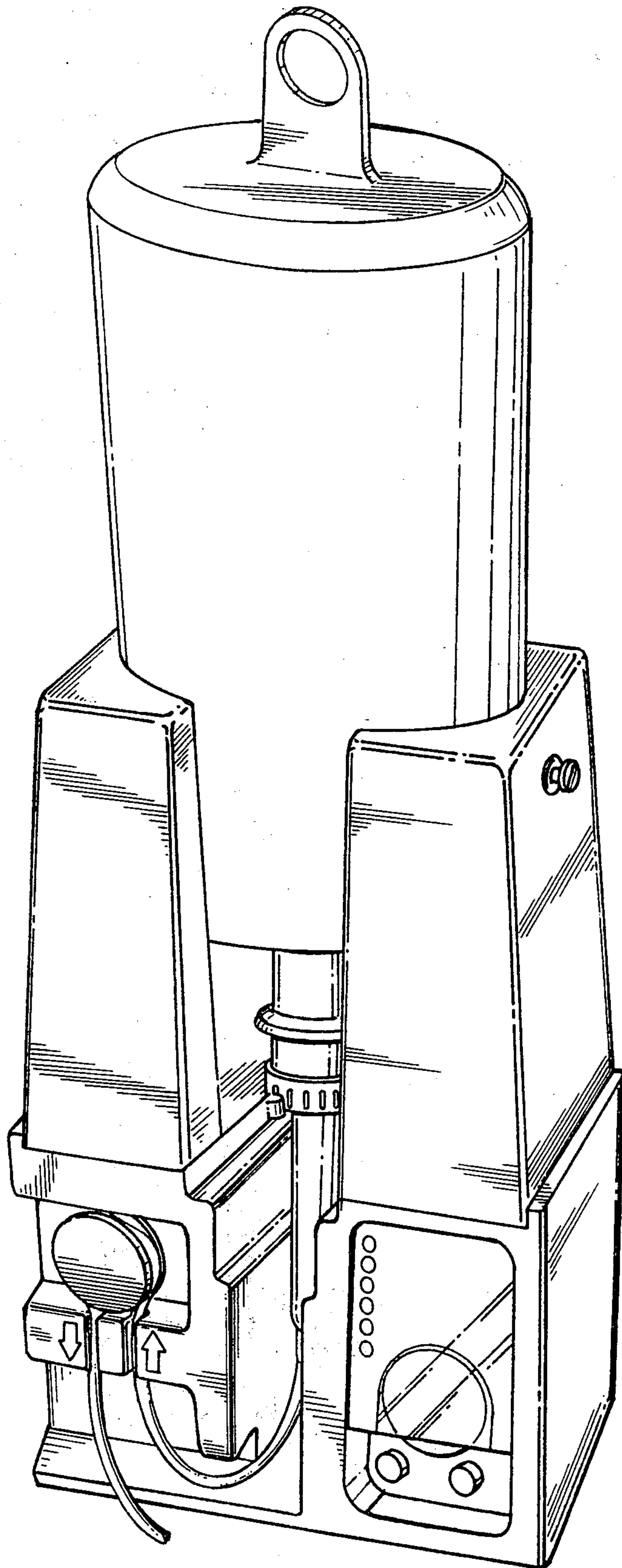


FIG. 1

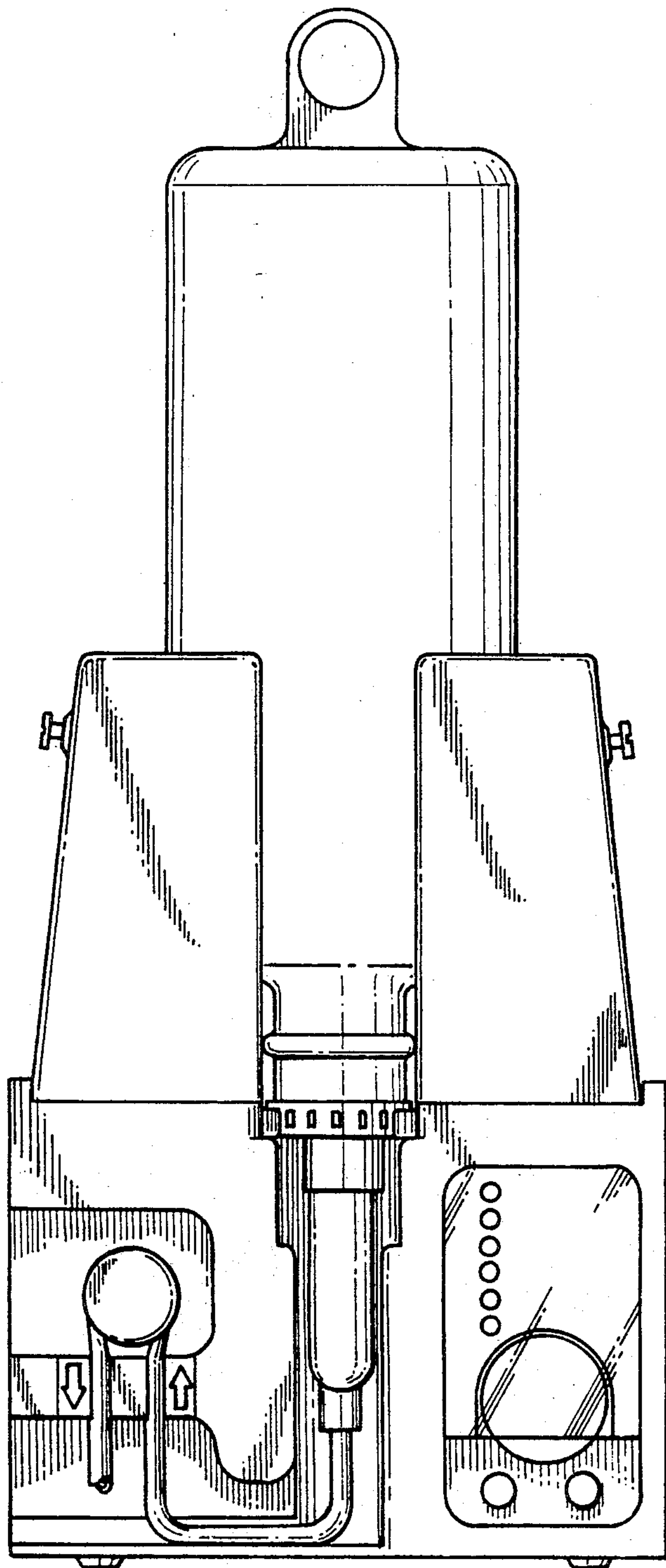


FIG. 2

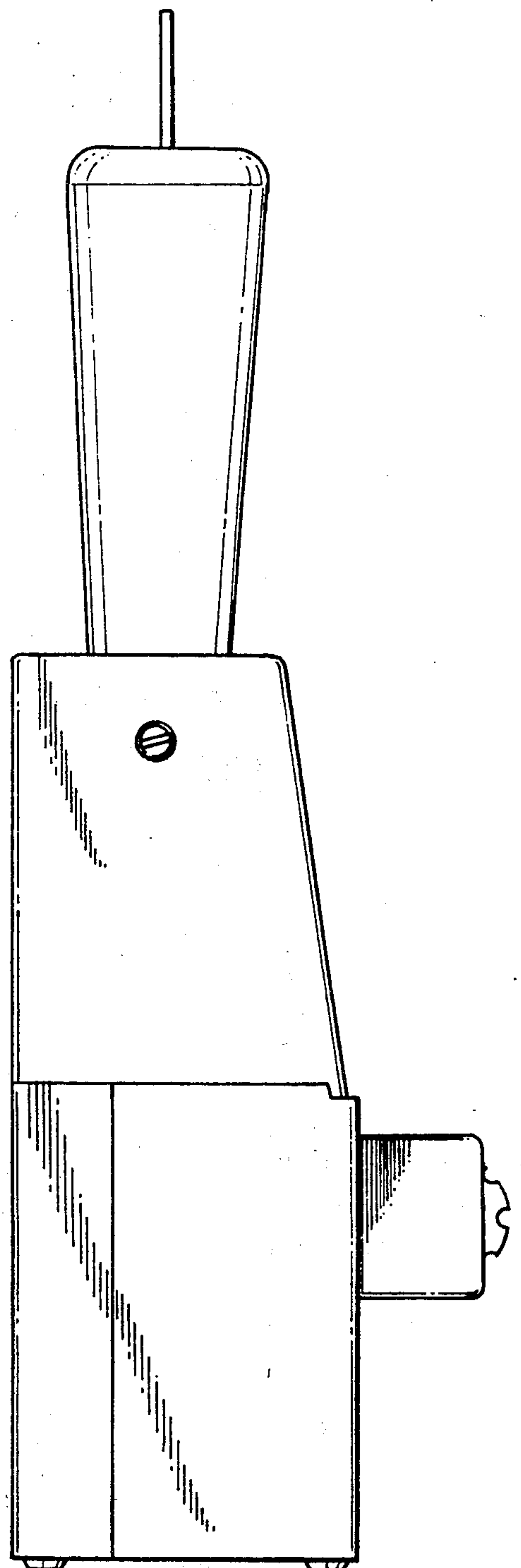


FIG. 3

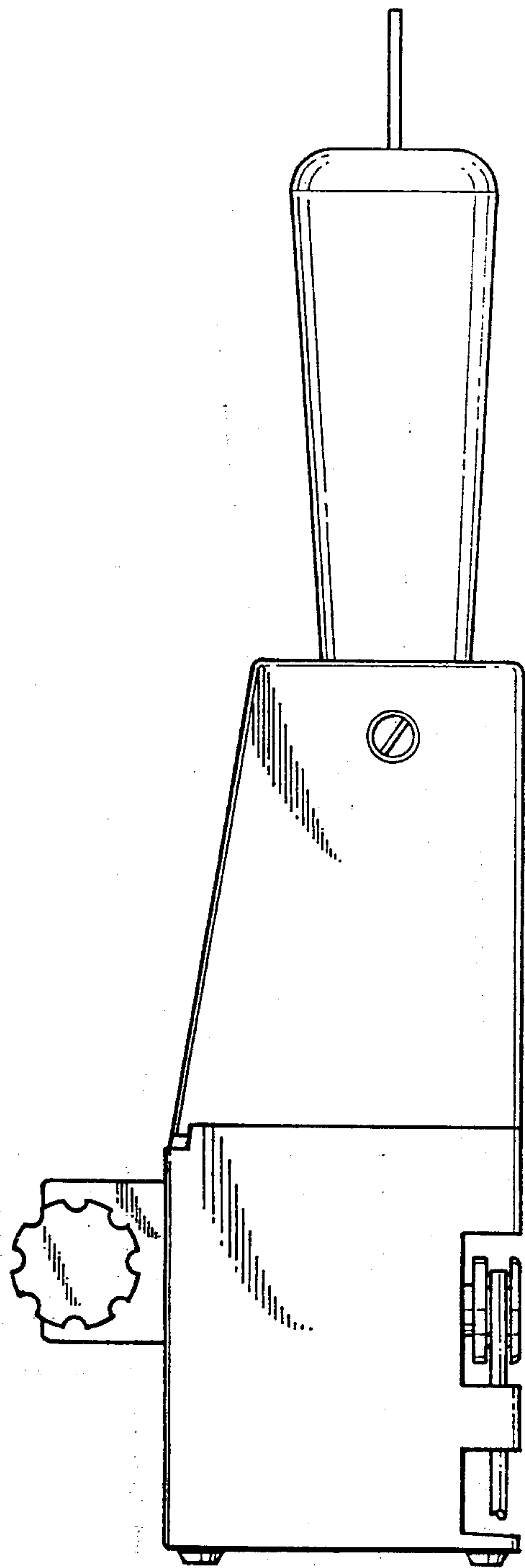


FIG. 4

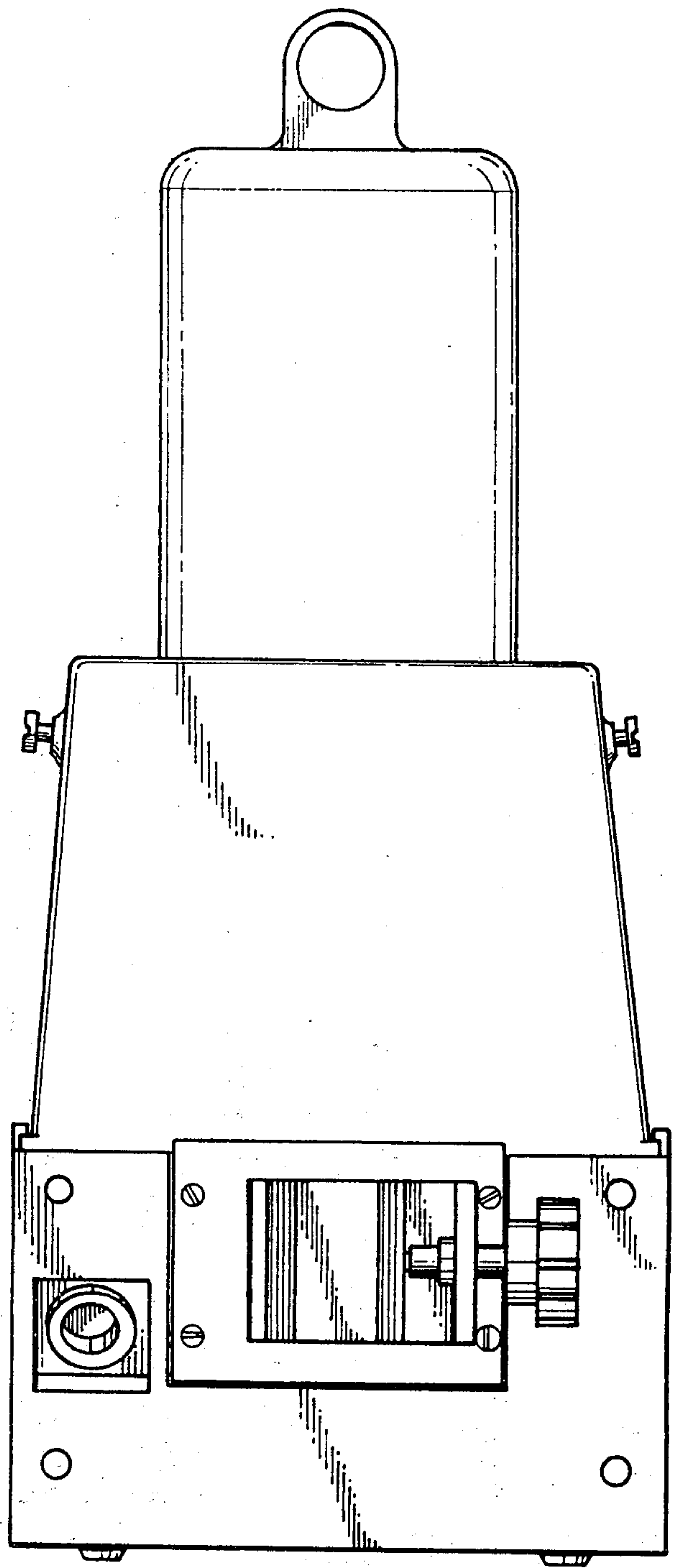


FIG. 5

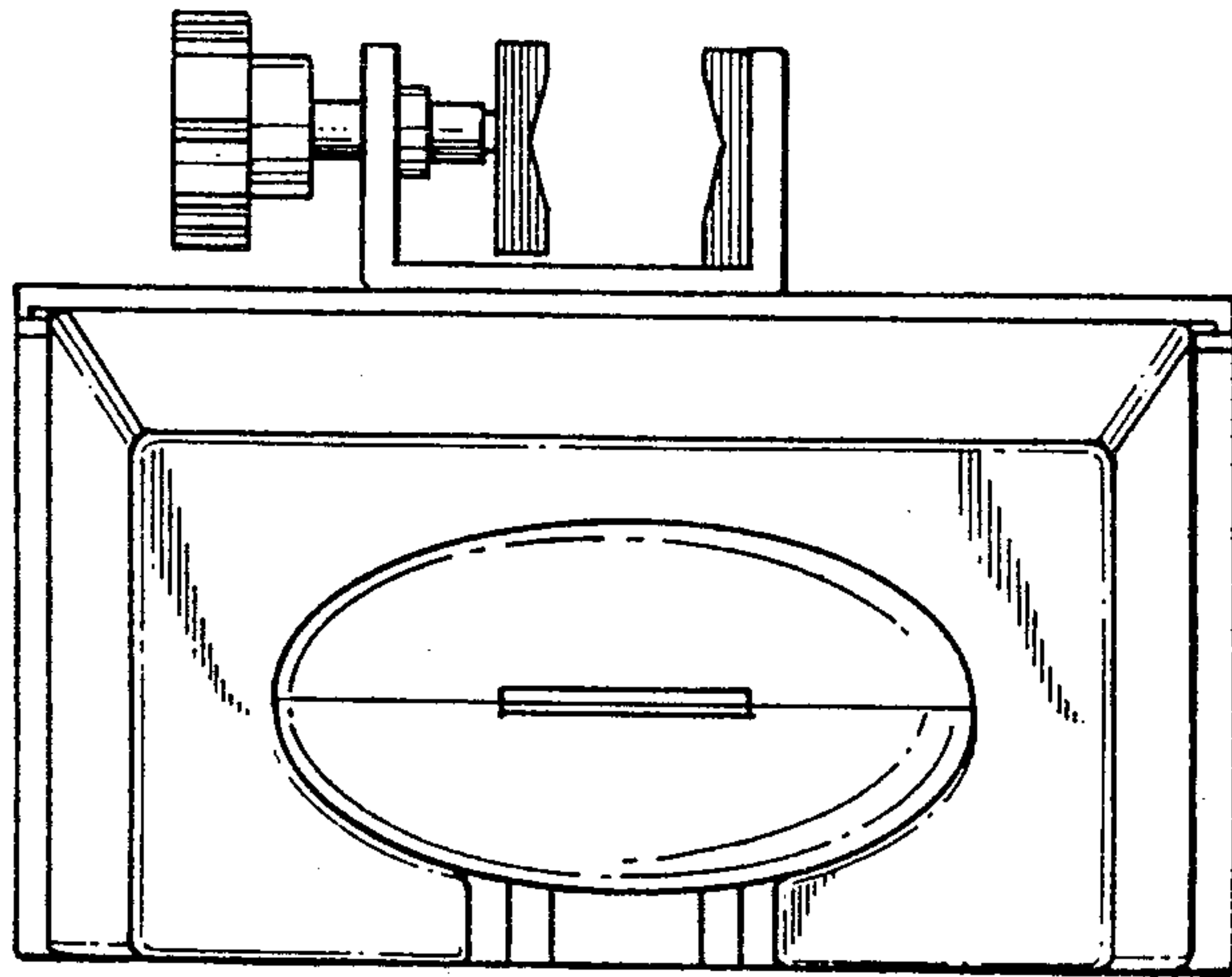


FIG. 6

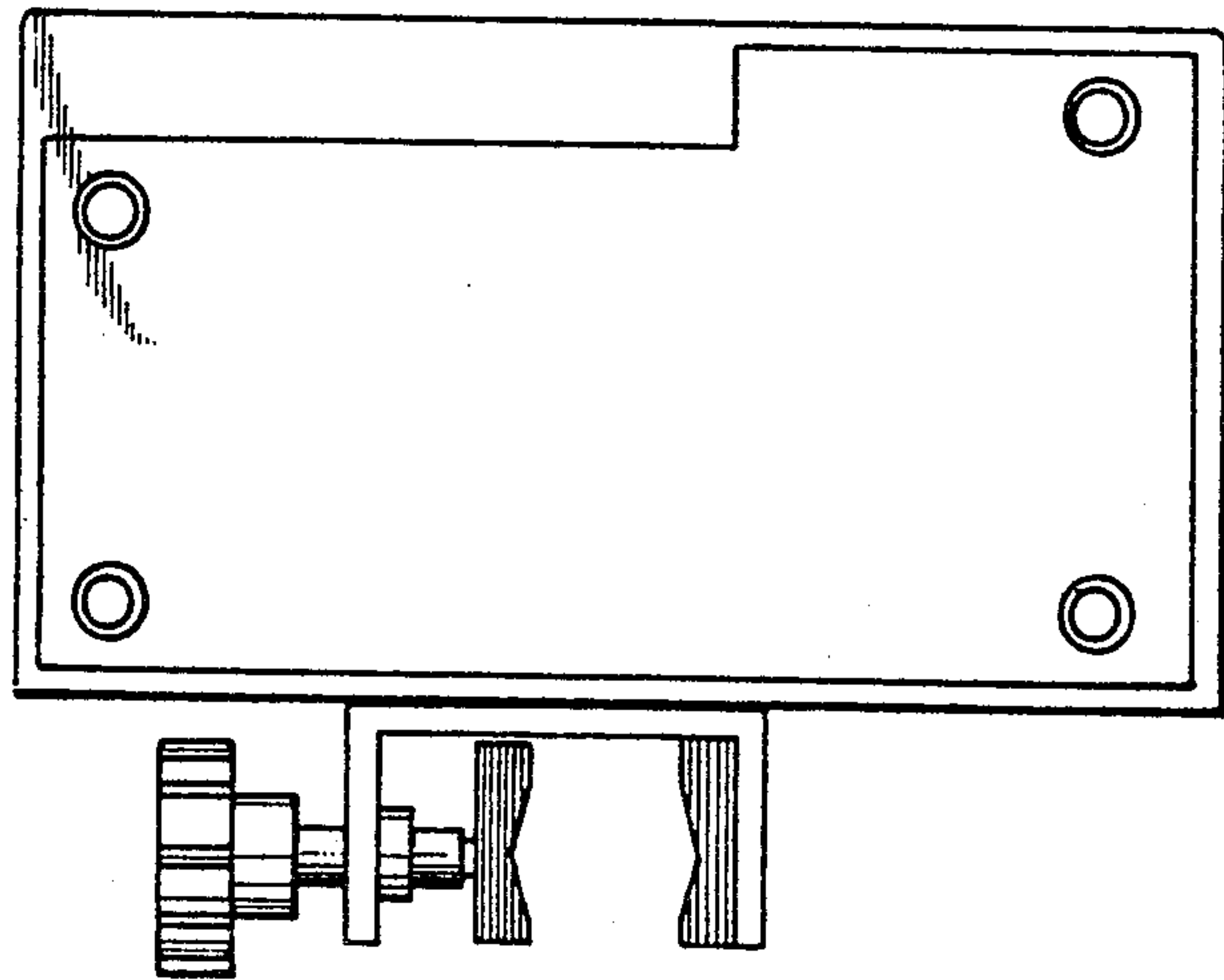


FIG. 7