

[54] HAND HOLDER FOR BABY BOTTLE

[76] Inventor: Jeannette Pote, 402 Lindsley Dr., Apt. 1-C, Morristown, N.J. 07960

[**] Term: 14 Years

[21] Appl. No.: 448,931

[22] Filed: Dec. 13, 1982

[52] U.S. Cl. D24/48

[58] Field of Search D24/48; D7/99, 102, D7/104; D8/25, 27, 31, 40, 72, 73, 82, 83, 84; 248/102, 103; 294/27 H, 27 R, 33

[56] References Cited

U.S. PATENT DOCUMENTS

D. 239,430	4/1976	Niconchuk	D8/31
D. 248,615	7/1978	Grabouac	D8/82
2,406,696	8/1946	Leslie	294/33
2,655,403	10/1953	Ernest	294/33 X
3,773,287	11/1973	Hechinger	248/102

Primary Examiner—A. Hugo Word

Assistant Examiner—Stella M. Reid
Attorney, Agent, or Firm—Martha G. Pugh

[57] CLAIM

The ornamental design for a hand holder for baby bottle, as shown and described.

DESCRIPTION

FIG. 1 is a perspective view of a hand holder for baby bottle showing my new design, the baby bottle shown in broken lines is for illustrative purposes only and forms no part of the claimed design.

FIG. 2 is a plan view, looking from above, of the hand holder for baby bottle of FIG. 1. The view from below is substantially similar.

FIG. 3 is an elevational view from the end of the handle of the hand holder for baby bottle of FIGS. 1 and 2.

FIG. 4 is an enlarged sectional view taken on line 4—4 of FIG. 2.

FIGS. 5 and 6 are enlarged sectional views taken on lines 5—5 and 6—6 respectively, of FIG. 2 and rotated 90 degrees.

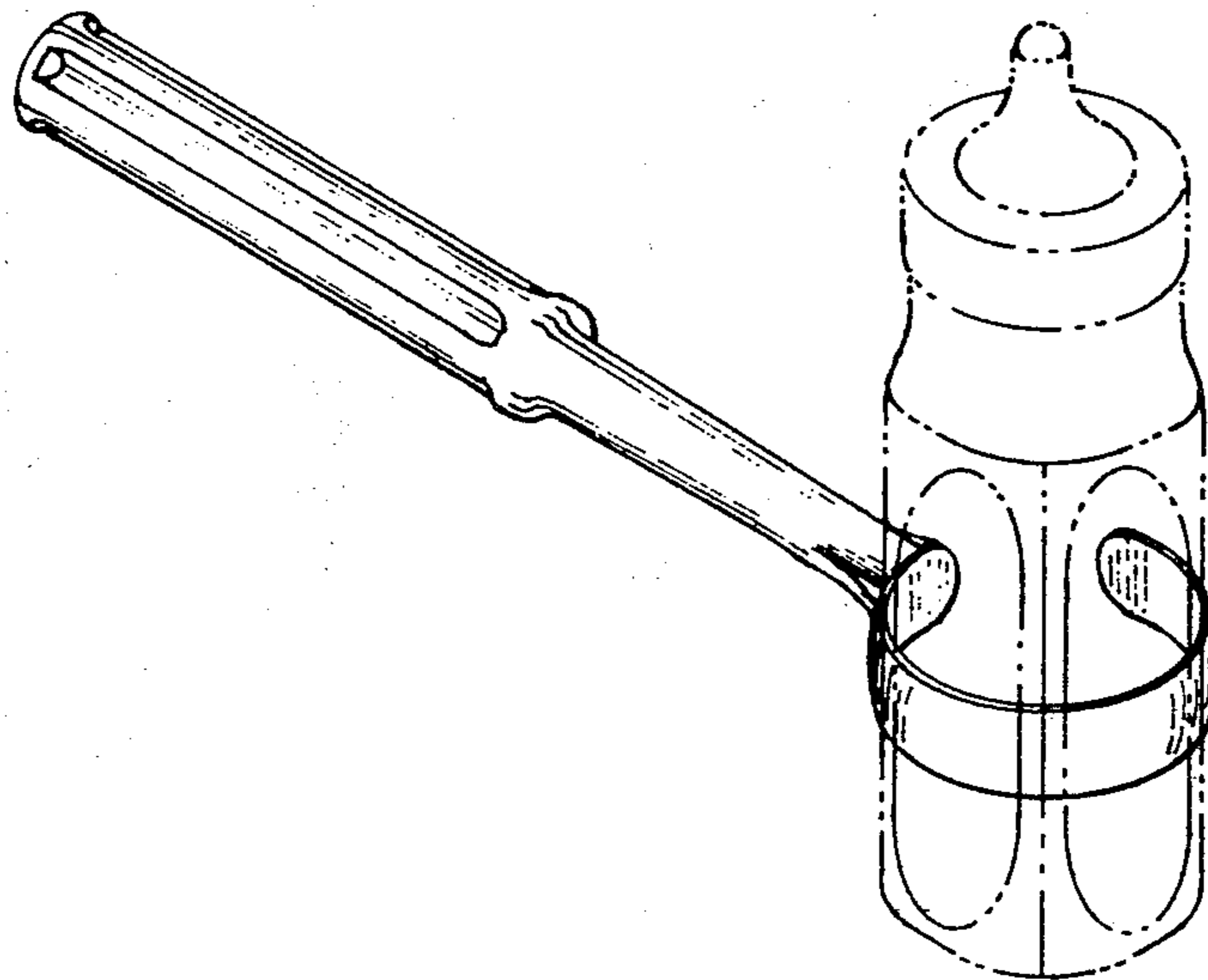




FIG. 3

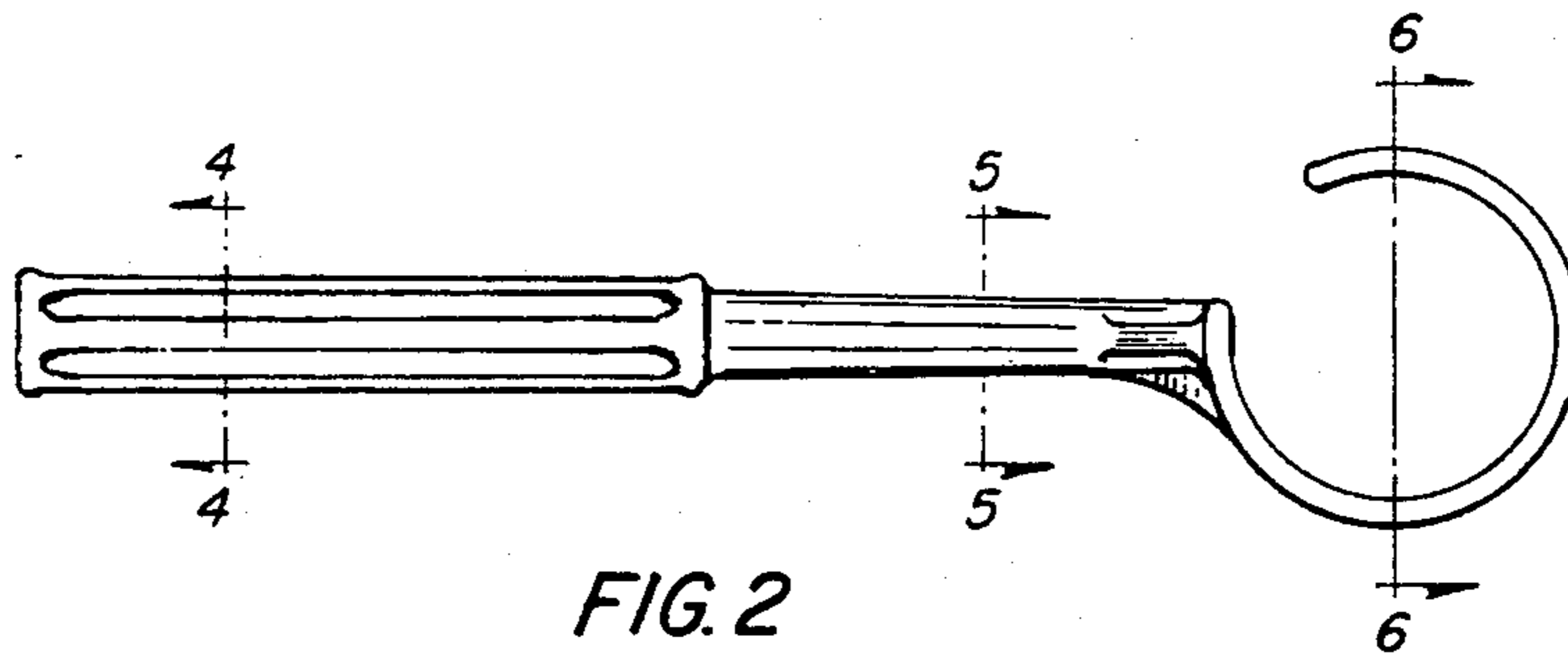


FIG. 2



FIG. 4



FIG. 5

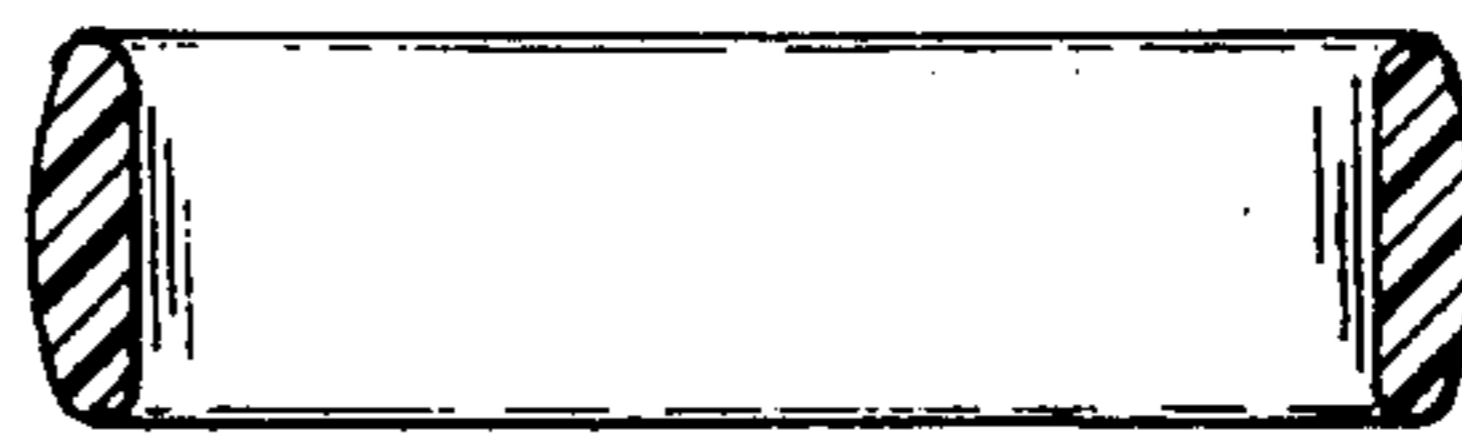


FIG. 6

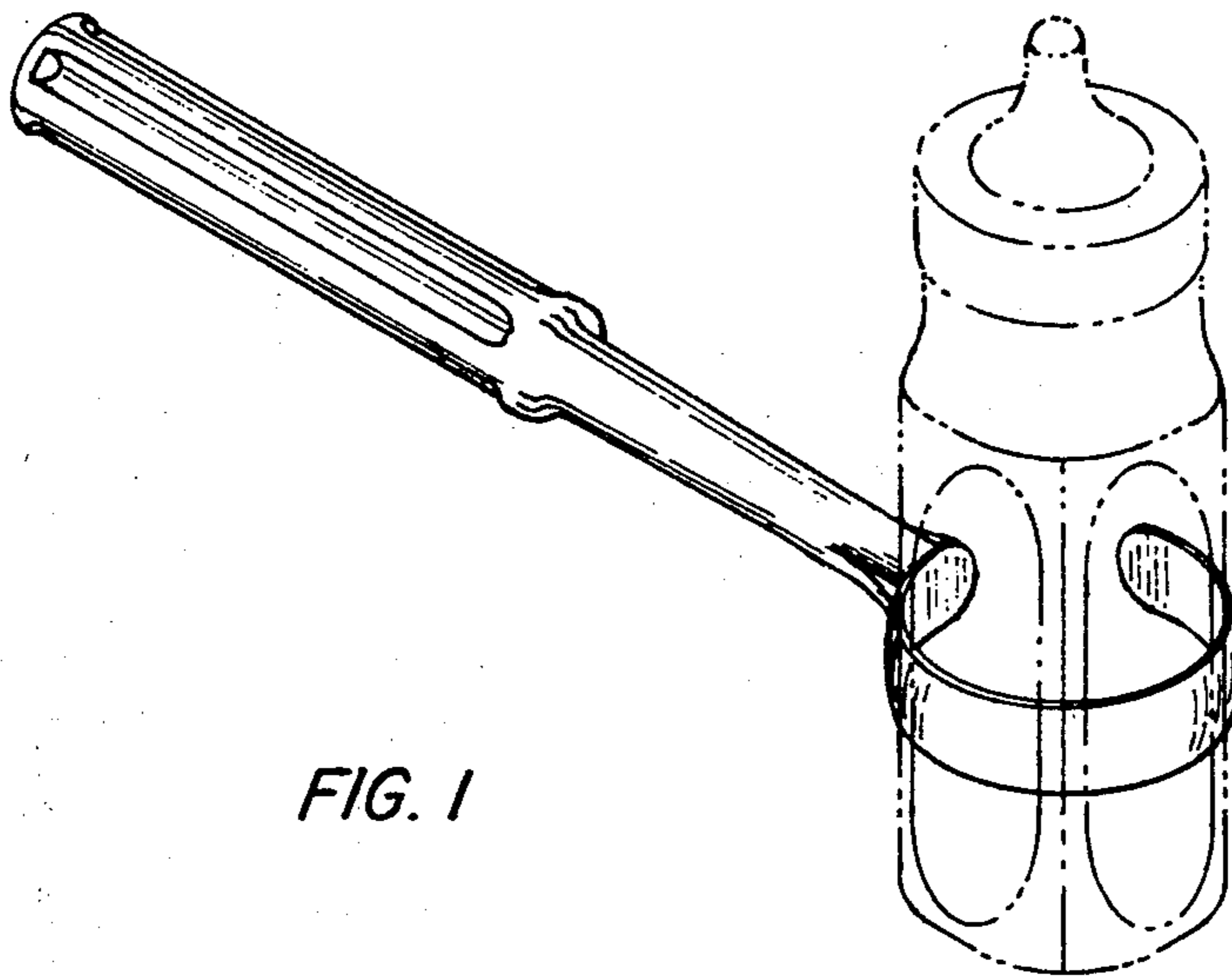


FIG. 1