

[54] **COMBINED SURGICAL OCCLUDING AND CUTTING INSTRUMENT**

[75] **Inventors: David T. Green, Norwalk; Paul O. Rawson, Easton; Richard Yagami, Bridgewater, all of Conn.**

[73] **Assignee: United States Surgical Corporation, Norwalk, Conn.**

[**] **Term: 14 Years**

[21] **Appl. No.: 480,447**

[22] **Filed: Mar. 30, 1983**

[52] **U.S. Cl. D24/28; D24/26**

[58] **Field of Search D8/51; D24/28, 26, 27; 128/305, 325, 326, 334 R, 335, 753, 754; 206/339; 227/DIG. 1**

[56] **References Cited**

U.S. PATENT DOCUMENTS

D. 271,332	11/1983	Green et al.	D24/26
D. 272,277	1/1984	Green et al.	D24/26
2,968,041	1/1961	Skold	1/49.1
3,006,344	10/1961	Vogelfanger	128/318
3,160,890	12/1964	Lefebvre	1/187
3,193,165	7/1965	Akhalaya et al.	227/8
3,545,444	12/1970	Green	128/305
3,584,628	6/1971	Green	128/305
3,665,924	5/1972	Noiles et al.	128/305
3,675,688	7/1972	Bryan et al.	140/93 D
3,735,762	5/1973	Bryan et al.	128/305
3,740,994	6/1973	DeCarlo, Jr.	72/407
3,777,538	12/1973	Weatherly et al.	72/410

3,819,100	6/1974	Noiles et al.	227/19
3,954,108	5/1976	Davis	128/325
3,955,581	5/1976	Spasiano et al.	128/334 R
4,086,926	5/1978	Green et al.	128/334 R
4,204,623	5/1980	Green	227/19
4,228,895	10/1980	Larkin	206/339
4,304,236	12/1981	Conta et al.	128/325
4,349,028	9/1982	Green	128/305

FOREIGN PATENT DOCUMENTS

569169	1/1933	Fed. Rep. of Germany .
2625425	12/1976	Fed. Rep. of Germany .

Primary Examiner—A. Hugo Word

Assistant Examiner—Stella Reid

Attorney, Agent, or Firm—John E. Nathan; Douglas J. Gilbert

[57] **CLAIM**

The ornamental design for a combined surgical occluding and cutting instrument, substantially as shown and described.

DESCRIPTION

FIG. 1 is a perspective view of a combined surgical occluding and cutting instrument showing our new design;

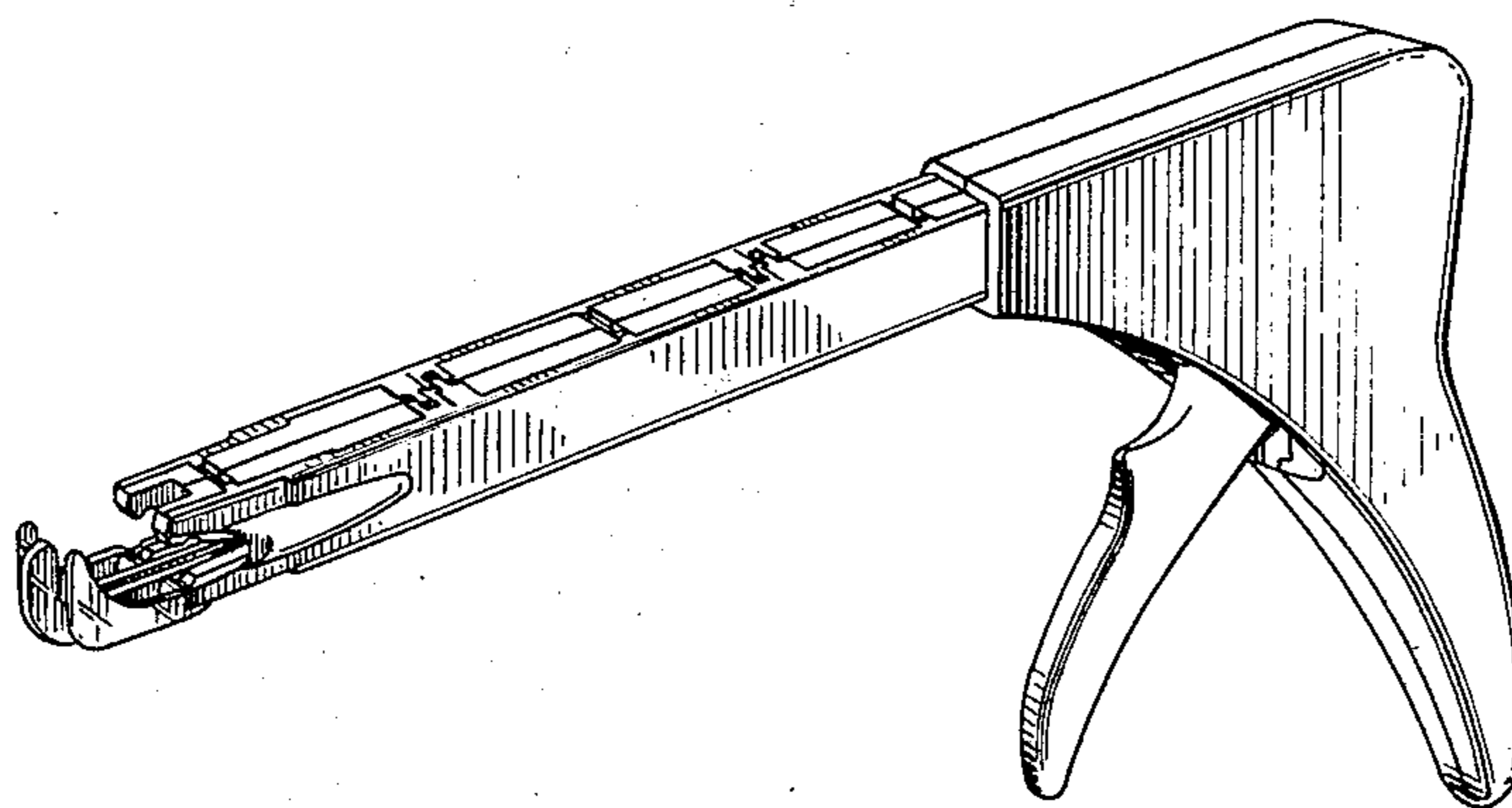
FIG. 2 is a rear elevational view thereof;

FIG. 3 is an end elevational view thereof, looking from the right of FIG. 2;

FIG. 4 is an end elevational view thereof, looking from the left of FIG. 2;

FIG. 5 is a top plan view thereof; and

FIG. 6 is a bottom plan view thereof.



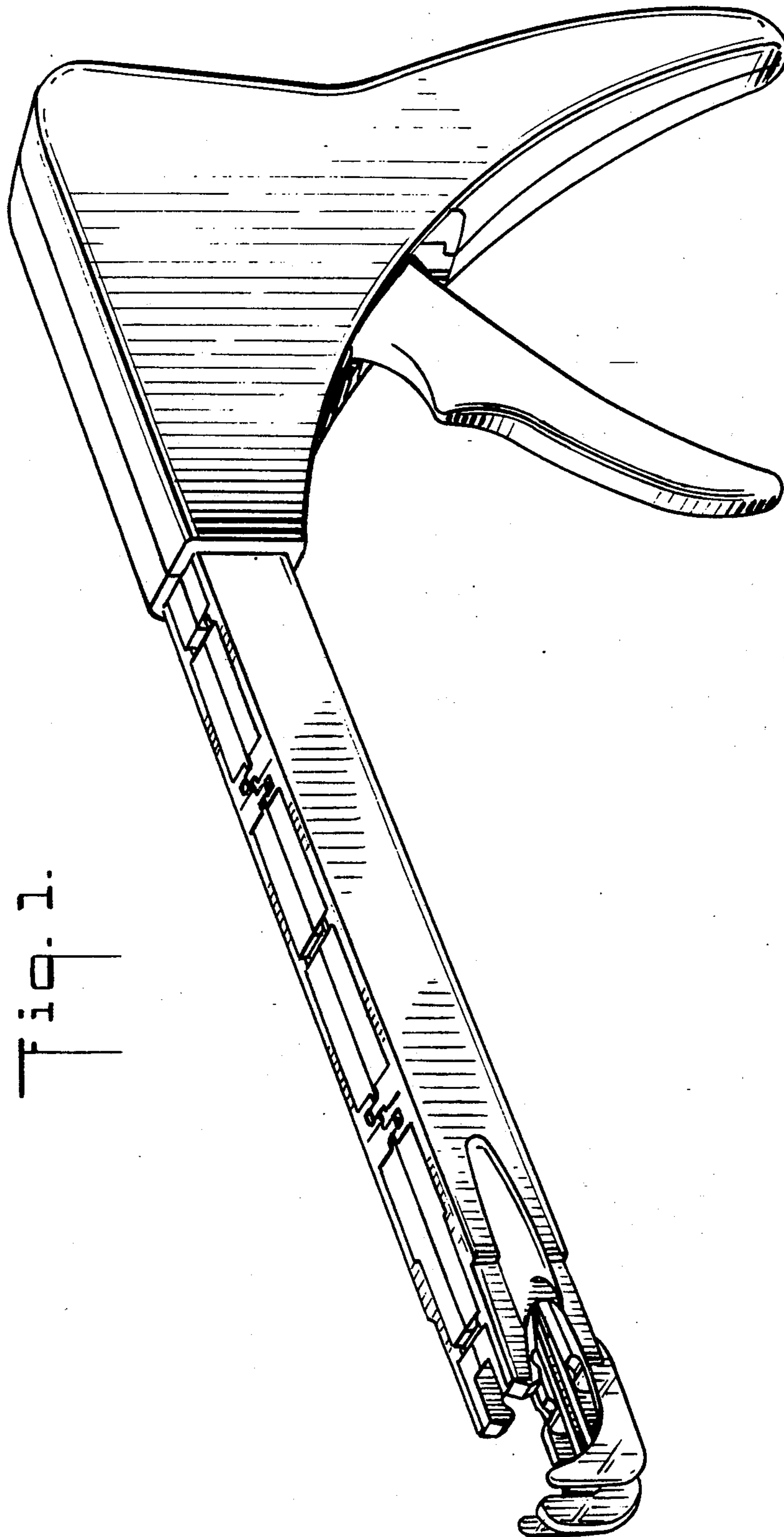


Fig. 2.

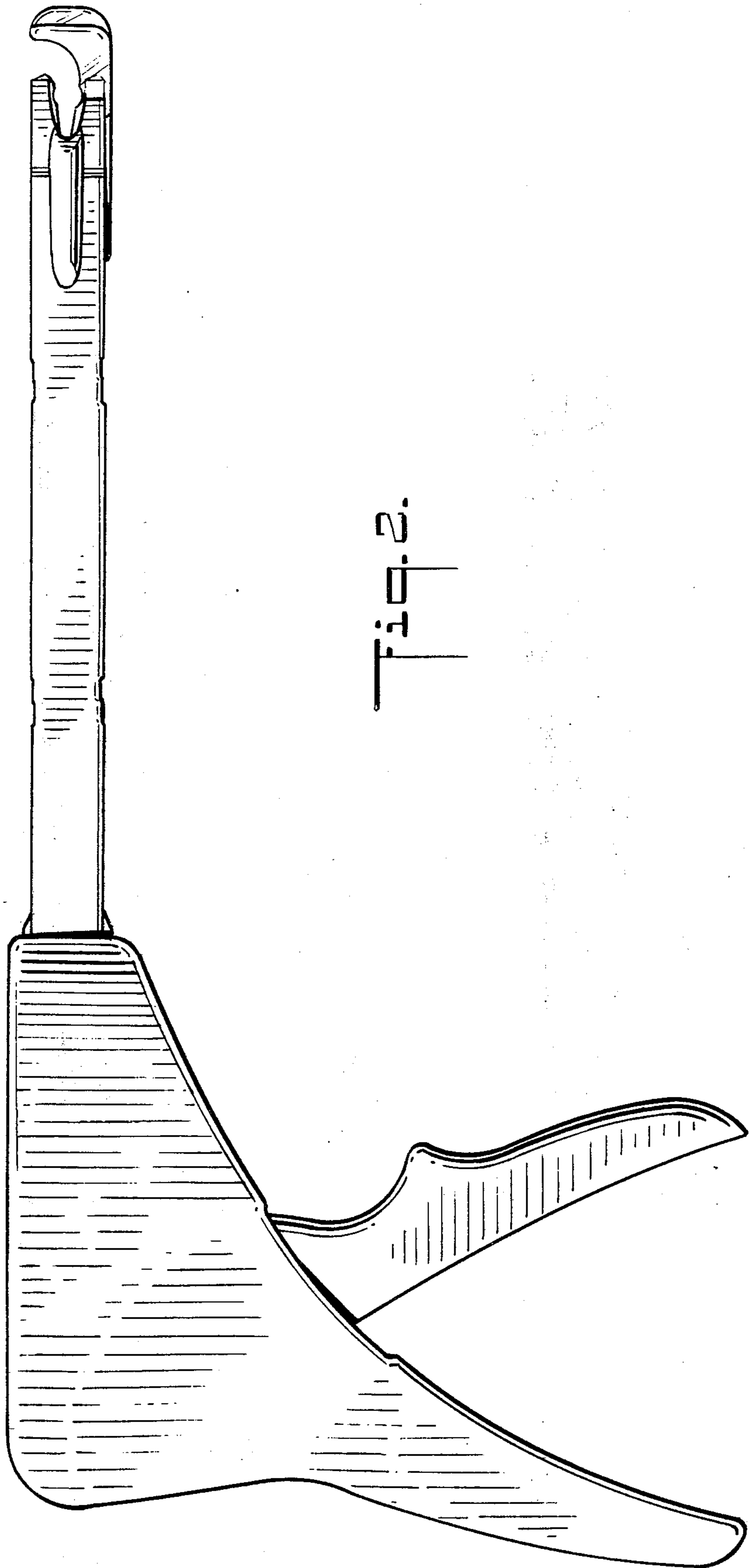


Fig. 2.

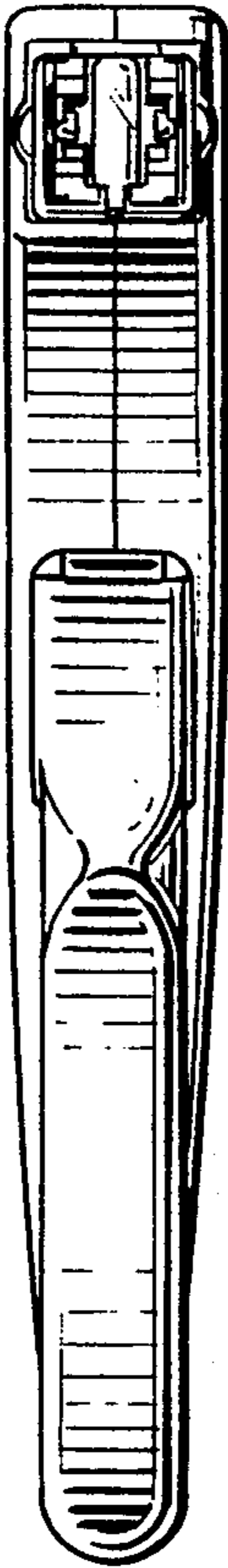


Fig. 3.

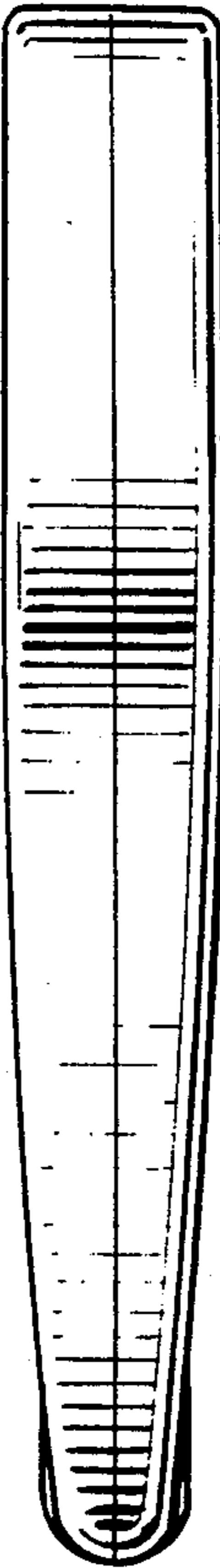


Fig. 4.

Fig. 5.

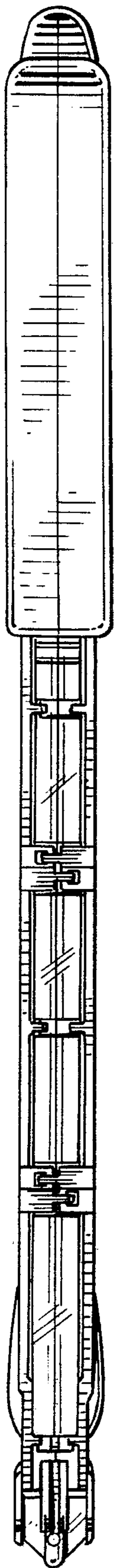


Fig. 6.

