

[54] **CARTRIDGE FOR A LATERAL ANASTOMOSIS SURGICAL STAPLER**  
 [75] **Inventor: David T. Green, Norwalk, Conn.**  
 [73] **Assignee: United States Surgical Corporation, Norwalk, Conn.**  
 [\*\*] **Term: 14 Years**  
 [21] **Appl. No.: 598,885**  
 [22] **Filed: Apr. 10, 1984**  
 [52] **U.S. Cl. .... D24/27**  
 [58] **Field of Search ..... D24/26, 27, 28; D8/48, D8/49, 50, 51, 68; 72/410; 128/305, 334 R, 335, 337; 227/DIG. 1, 8, 19, 76, 107, 109, 110, 127, 120, 129, 134, 153, 156**

4,429,695 2/1984 Green ..... 128/305

**FOREIGN PATENT DOCUMENTS**

888868 12/1971 Canada .  
 173878 9/1965 U.S.S.R. .

*Primary Examiner*—A. Hugo Word  
*Assistant Examiner*—Stella M. Reid  
*Attorney, Agent, or Firm*—John E. Nathan; Robert R. Jackson; Richard A. Inz

[57] **CLAIM**

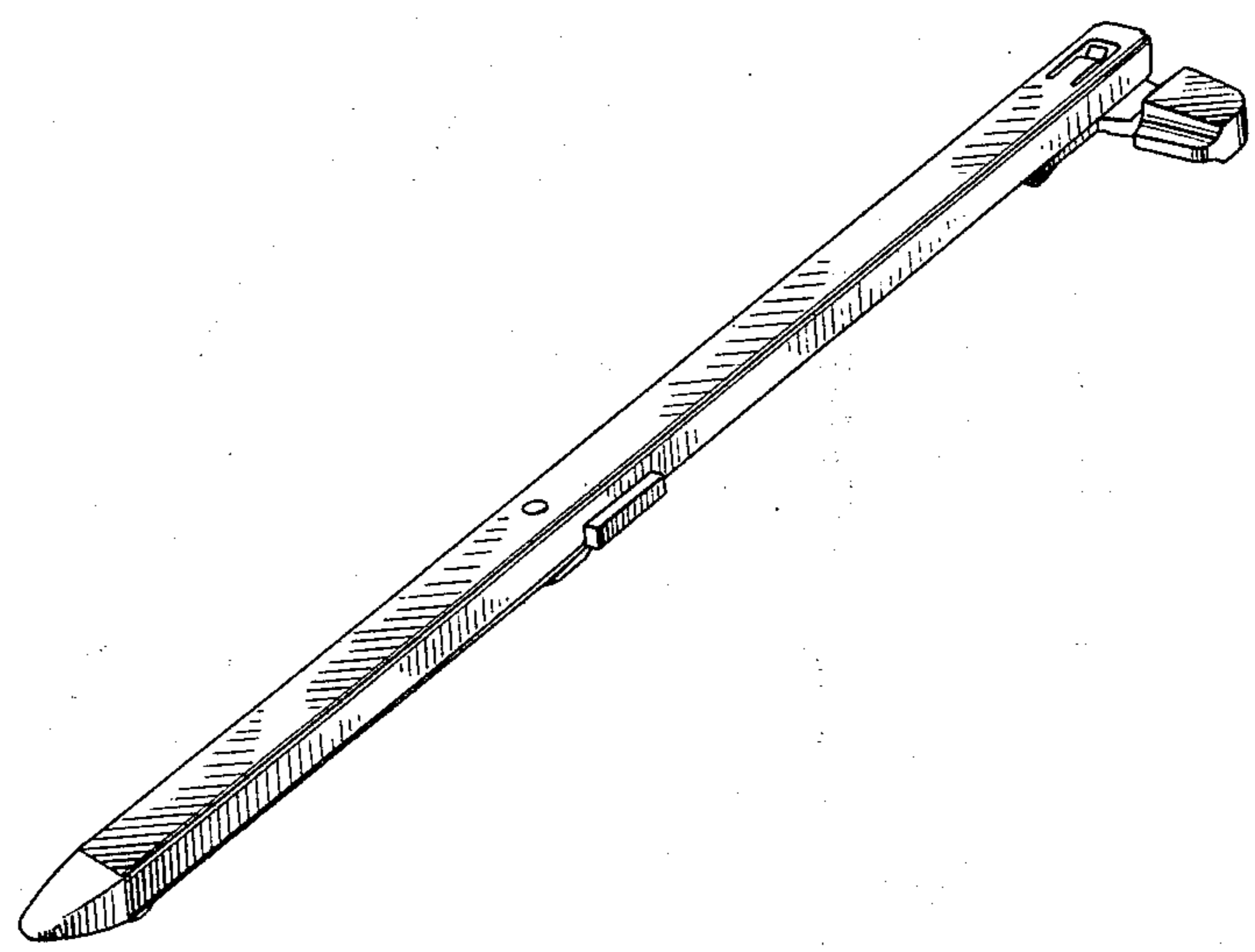
The ornamental design for a cartridge for a lateral anastomosis surgical stapler, substantially as shown and described.

**DESCRIPTION**

FIG. 1 is a perspective view of a cartridge for a lateral anastomosis surgical stapler showing my new design; FIG. 2 is a side elevational view thereof; FIG. 3 is a top plan view as seen from FIG. 2; FIG. 4 is a bottom plan view as seen from FIG. 1; FIG. 5 is an enlarged view of a portion of the left hand portion of FIG. 4; FIG. 6 is an end elevational view as seen from the left of FIG. 2; and FIG. 7 is an end elevational view as seen from the right of FIG. 2.

[56] **References Cited**  
**U.S. PATENT DOCUMENTS**

D. 272,851	2/1984	Green et al. ....	D24/26
D. 272,852	2/1984	Green et al. ....	D24/26
D. 278,081	3/1985	Green .....	D24/26
3,079,606	3/1963	Bobrov et al. ....	1/120
3,482,428	12/1969	Kapitanov et al. ....	72/410
3,490,675	1/1970	Green et al. ....	227/19
3,499,591	3/1970	Green .....	227/76
4,108,306	8/1978	Samuels et al. ....	206/339



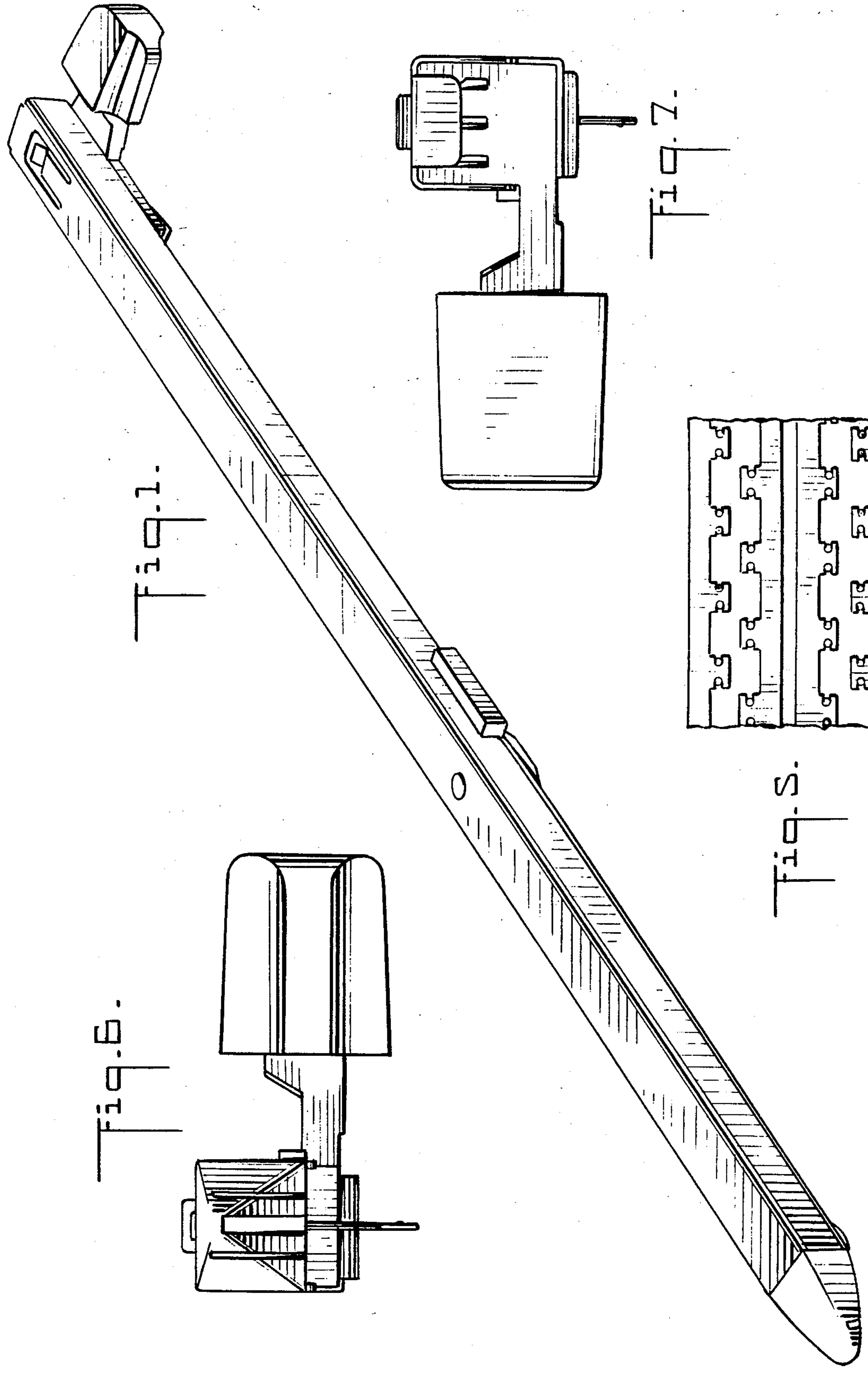


Fig. 1.

Fig. 2.

Fig. 3.

Fig. 6.

Fig. 2.

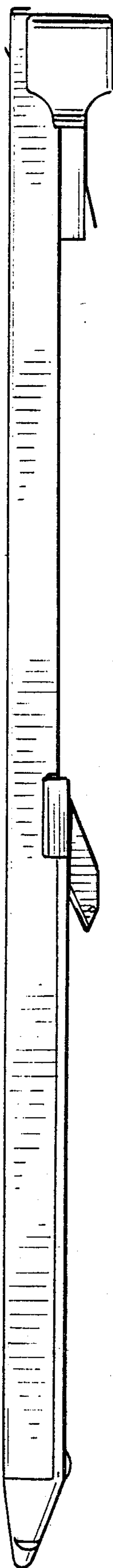


Fig. 3.

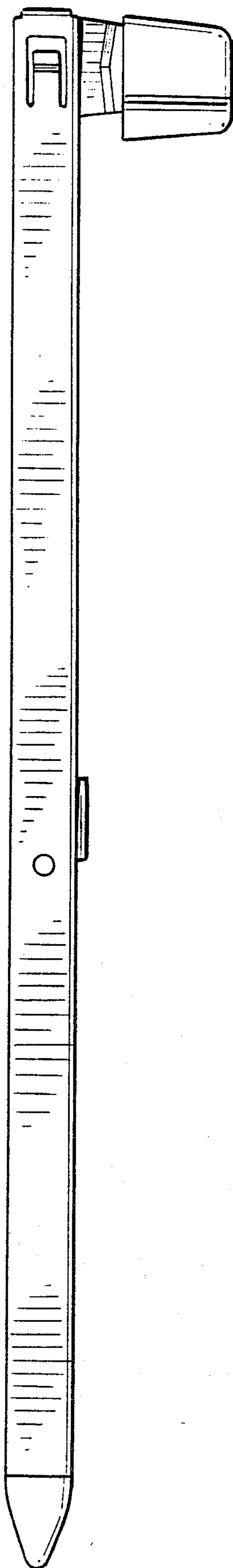


Fig. 4.

