

[54] PORTABLE SPRAYER FOR DISINFECTANT

[75] Inventors: Janet B. Rattray, Providence; Owen R. Read, Gloucester, both of R.I.

[73] Assignee: Surgi-Clean Incorporated, East Providence, R.I.

[\*\*] Term: 14 Years

[21] Appl. No.: 509,162

[22] Filed: Jun. 29, 1983

[52] U.S. Cl. .... D23/18

[58] Field of Search ..... D23/17, 18; 239/286

[56] References Cited

U.S. PATENT DOCUMENTS

|            |         |                       |           |
|------------|---------|-----------------------|-----------|
| D. 231,784 | 6/1974  | Morehouse et al. .... | D23/18 X  |
| D. 232,938 | 9/1974  | Hettich et al. ....   | D23/18 X  |
| D. 234,514 | 3/1975  | Kommers et al. ....   | D23/18 X  |
| D. 235,996 | 7/1975  | Schneider ....        | D23/18 X  |
| 2,056,240  | 10/1936 | Wheeler ....          | 239/286 X |

|           |         |                  |           |
|-----------|---------|------------------|-----------|
| 2,745,700 | 5/1956  | Phalen .....     | 239/286 X |
| 2,883,115 | 4/1959  | Converso .....   | 239/286 X |
| 2,989,245 | 6/1961  | Matthewson ..... | 239/286 X |
| 3,002,695 | 10/1961 | Matthewson ..... | 239/286 X |
| 3,023,969 | 3/1962  | Hudson .....     | 239/286 X |
| 3,270,962 | 9/1966  | Watts .....      | 239/286 X |

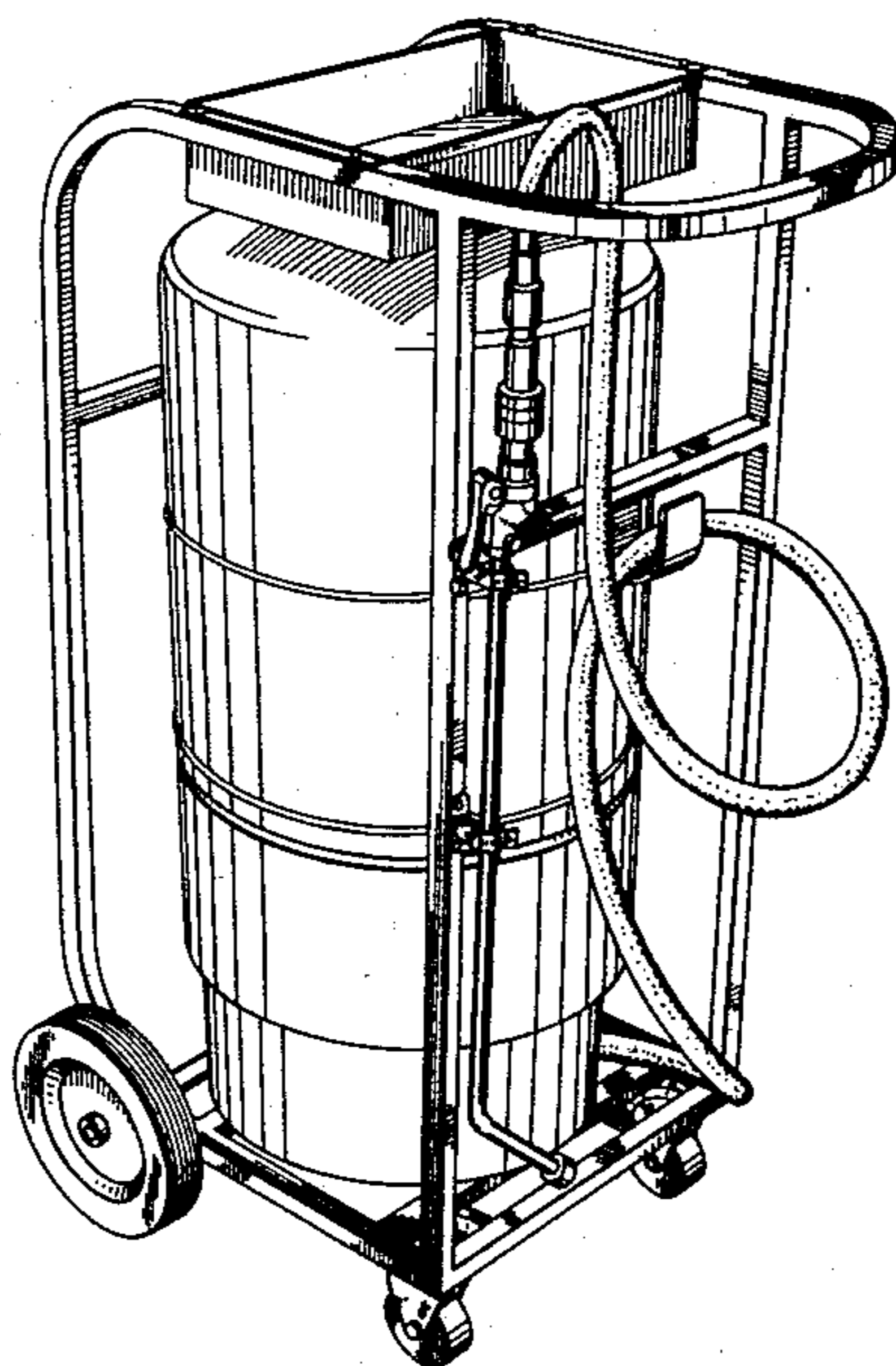
Primary Examiner—James R. Largen  
Attorney, Agent, or Firm—Salter & Michaelson

[57] CLAIM

The ornamental design for a portable sprayer for disinfectant, substantially as shown.

DESCRIPTION

FIG. 1 is a perspective view of a portable sprayer for disinfectant showing our new design;  
FIG. 2 is a left side elevational view thereof;  
FIG. 3 is a right side elevational view thereof;  
FIG. 4 is a front elevational view thereof;  
FIG. 5 is a rear elevational view thereof;  
FIG. 6 is a top plan view thereof;  
FIG. 7 is a bottom plan view thereof.



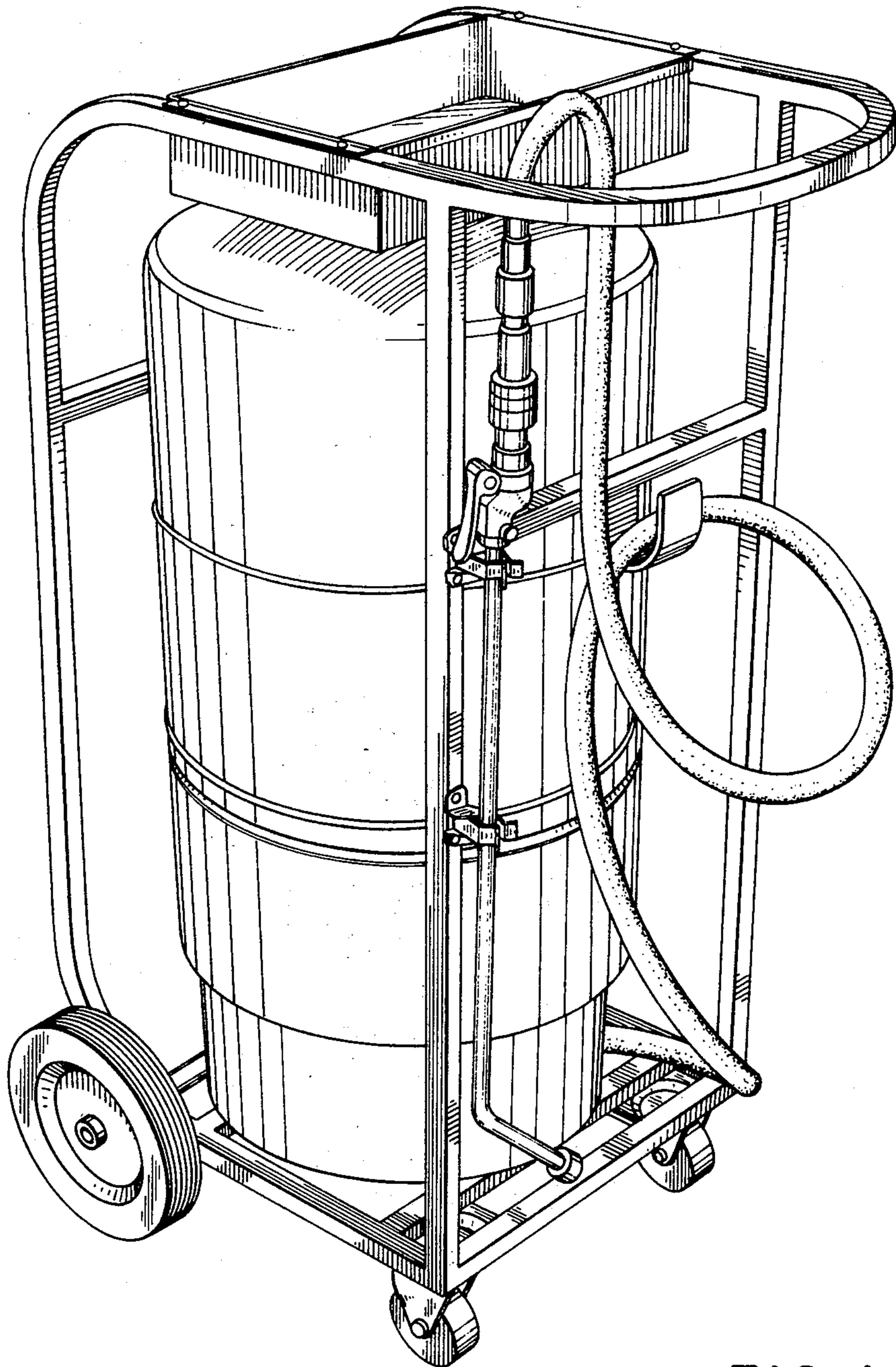


FIG. 1

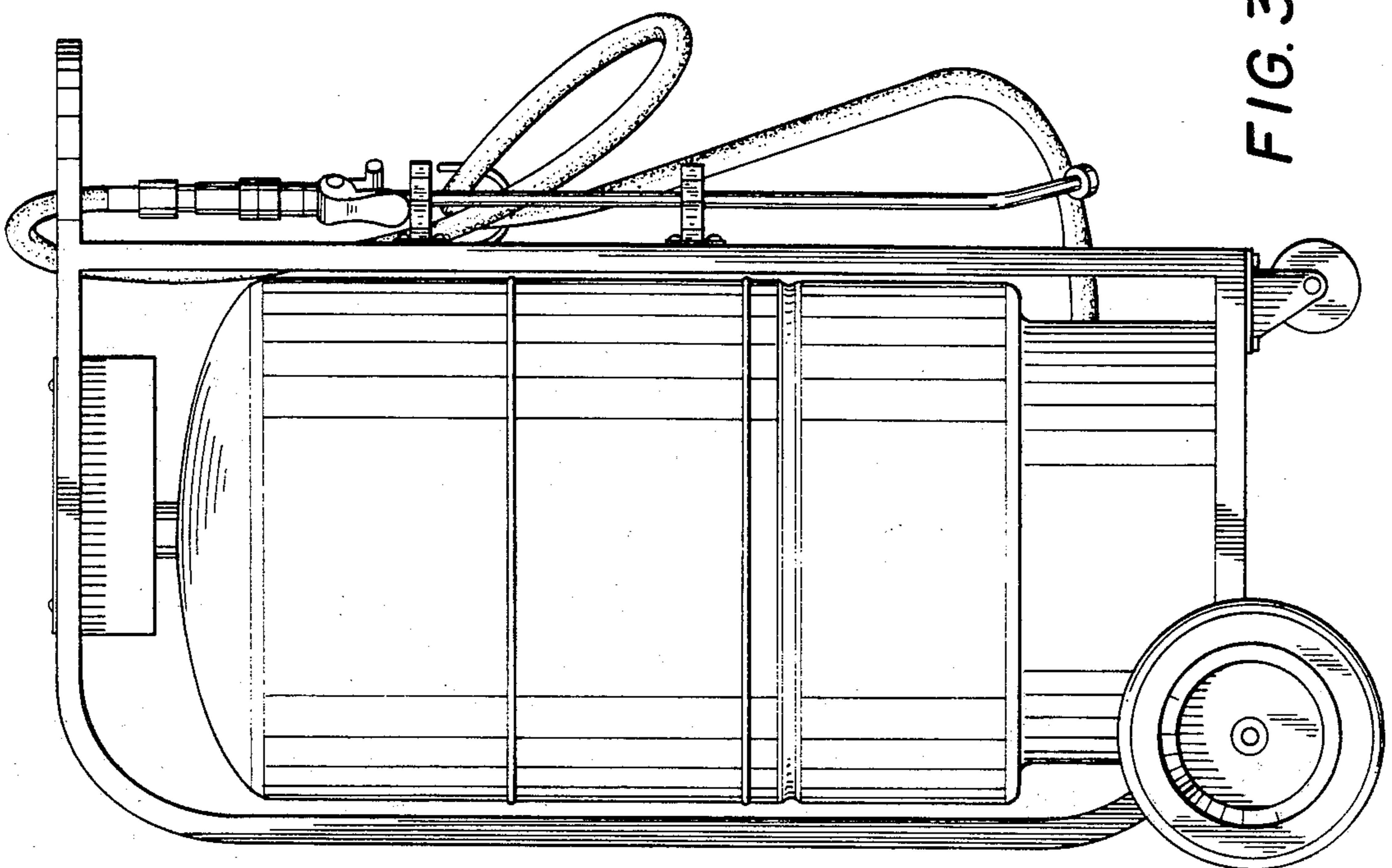


FIG. 3

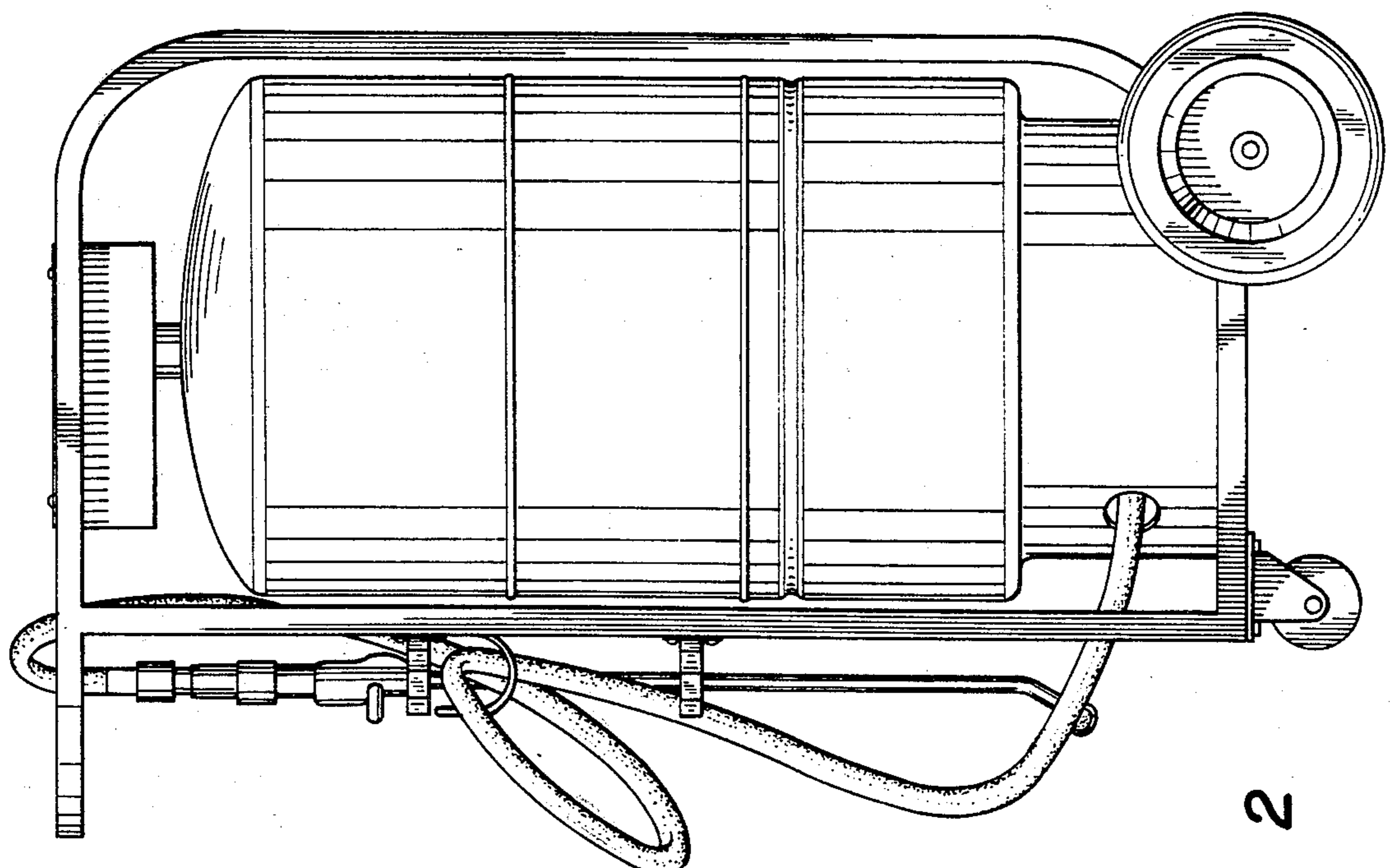


FIG. 2

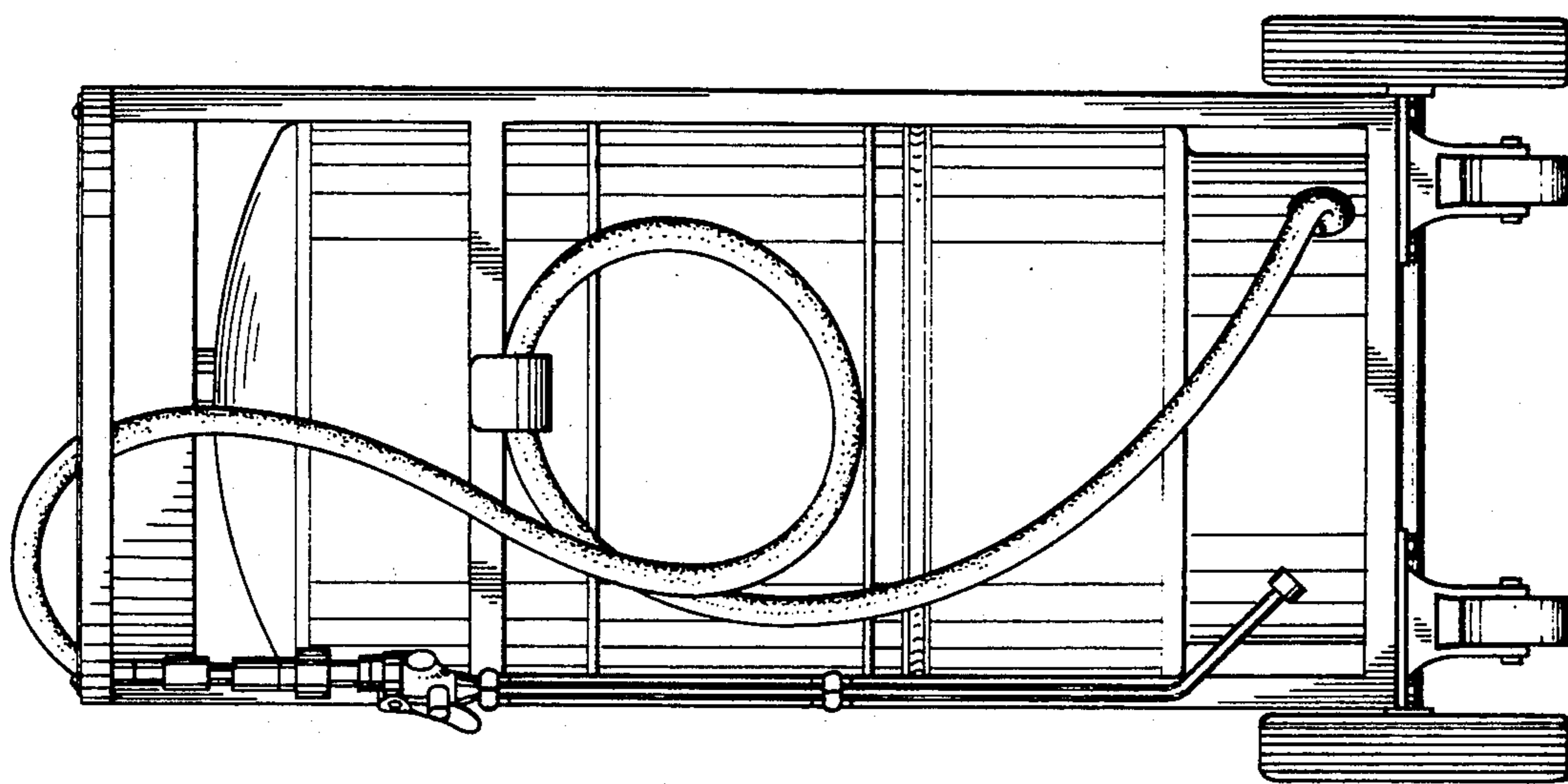


FIG. 5

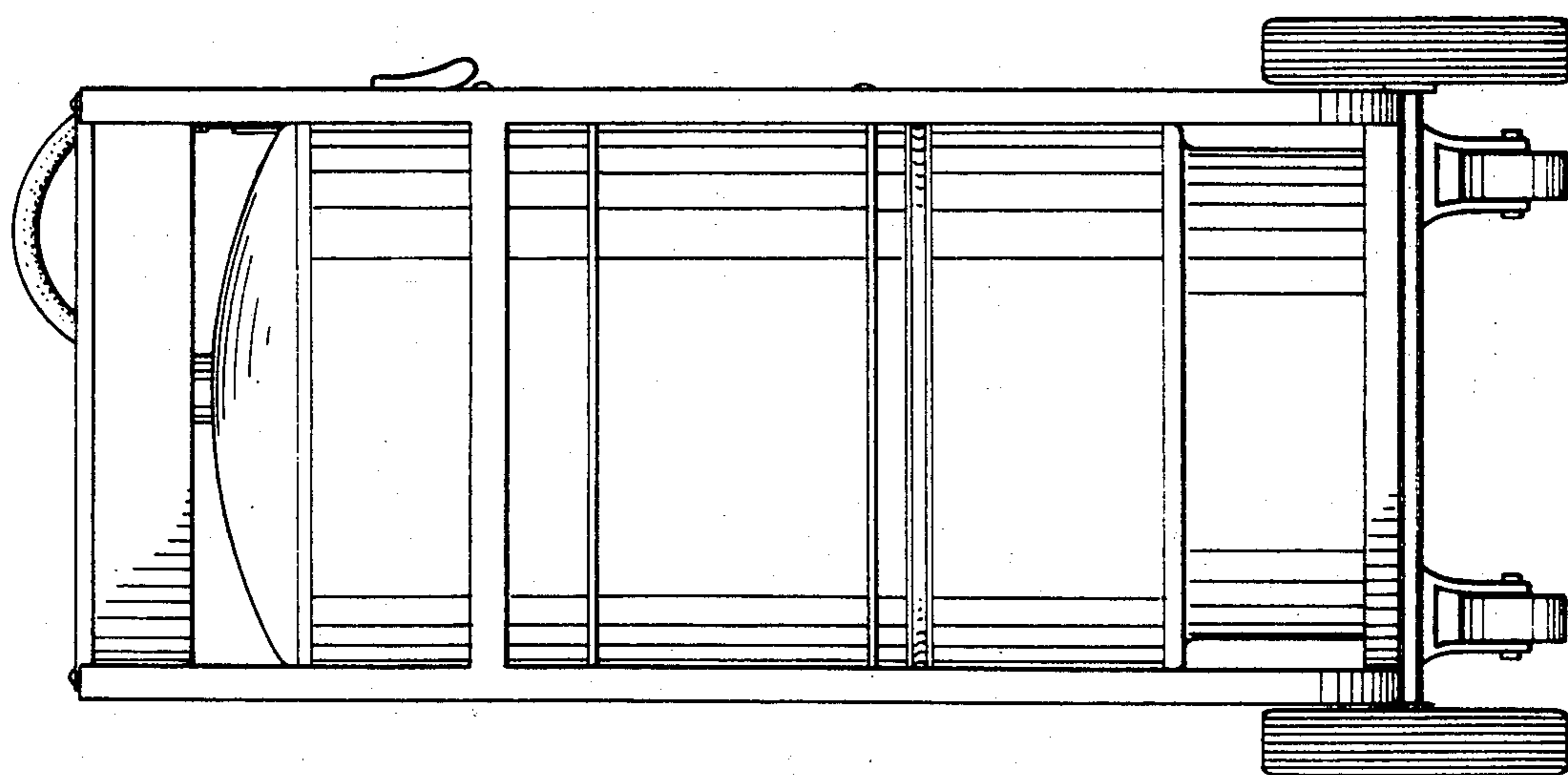
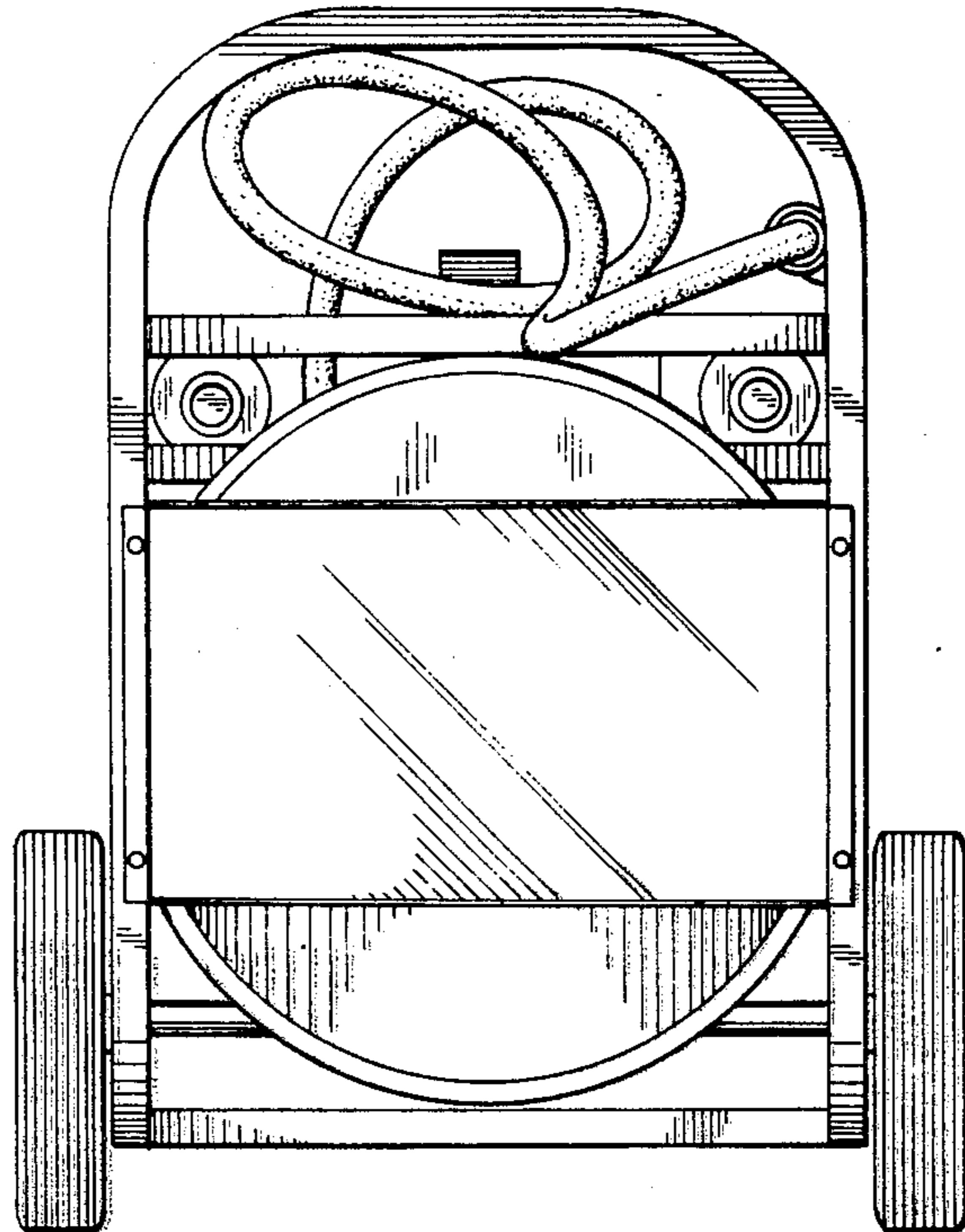


FIG. 4

*FIG. 6*



*FIG. 7*

