

# United States Patent [19]

Iwama et al.

[11] Patent Number: **Des. 284,209**

[45] Date of Patent: **\*\* Jun. 10, 1986**

[54] **FISHING REEL**

[75] Inventors: **Shinichi Iwama, Higashi-kurume; Hideo Nakamura, Musashino, both of Japan**

[73] Assignee: **Daiwa Seiko, Inc., Tokyo, Japan**

[\*\*] Term: **14 Years**

[21] Appl. No.: **456,123**

[22] Filed: **Jan. 6, 1983**

[30] **Foreign Application Priority Data**

Aug. 24, 1982 [JP] Japan ..... 57-38296

[52] U.S. Cl. .... **D22/25**

[58] Field of Search ..... **D22/25; 242/84.1 R, 242/84.1 J, 84.2 R**

[56] **References Cited**

**U.S. PATENT DOCUMENTS**

D. 255,702 7/1980 Iinuma ..... D22/25

D. 258,904 4/1981 Myojo ..... D22/25  
D. 265,497 7/1982 Sakamoto et al. .... D22/25  
D. 266,184 9/1982 Iinuma et al. .... D22/25

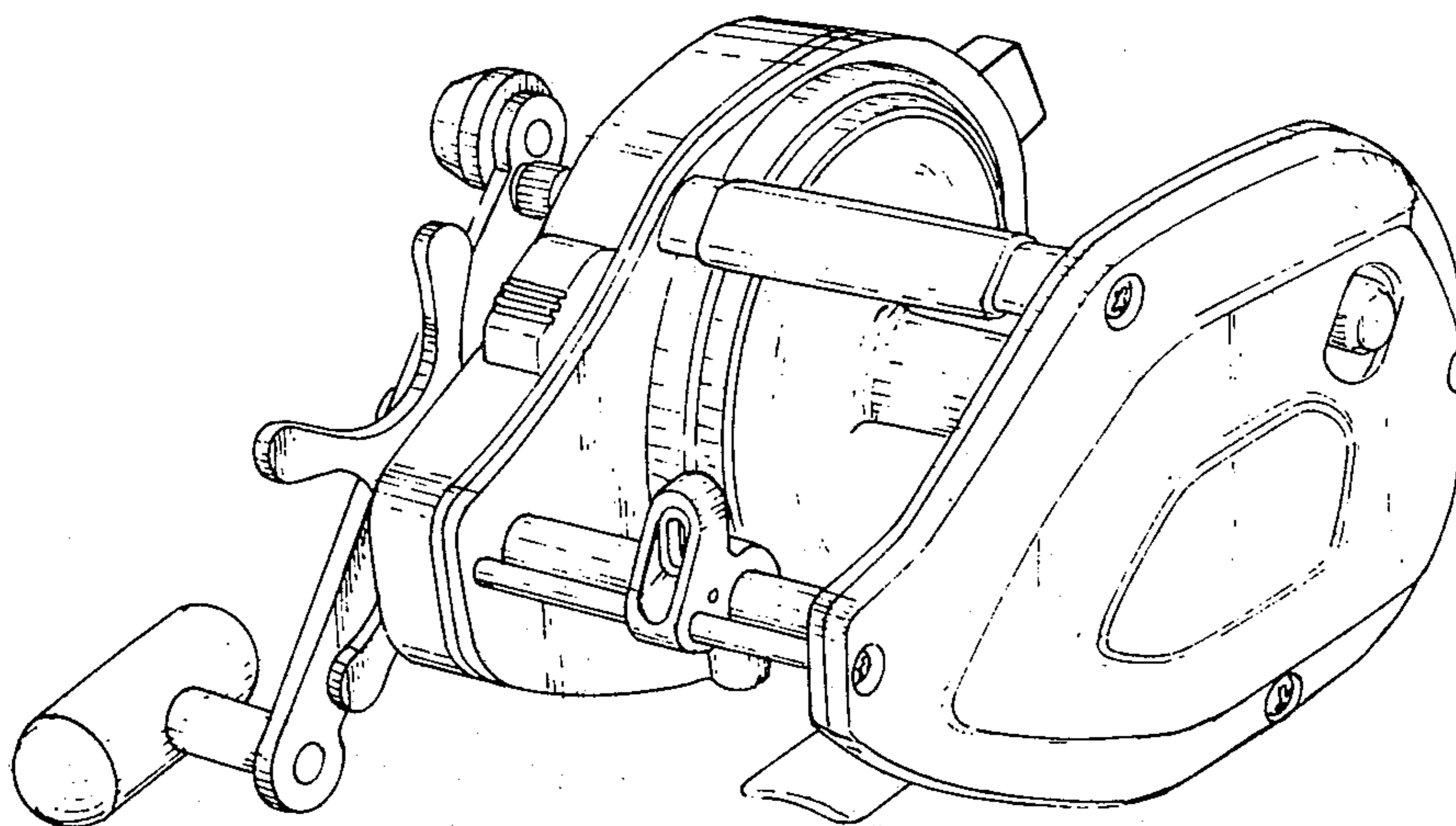
*Primary Examiner*—A. Hugo Word  
*Attorney, Agent, or Firm*—Birch, Stewart, Kolasch & Birch

[57] **CLAIM**

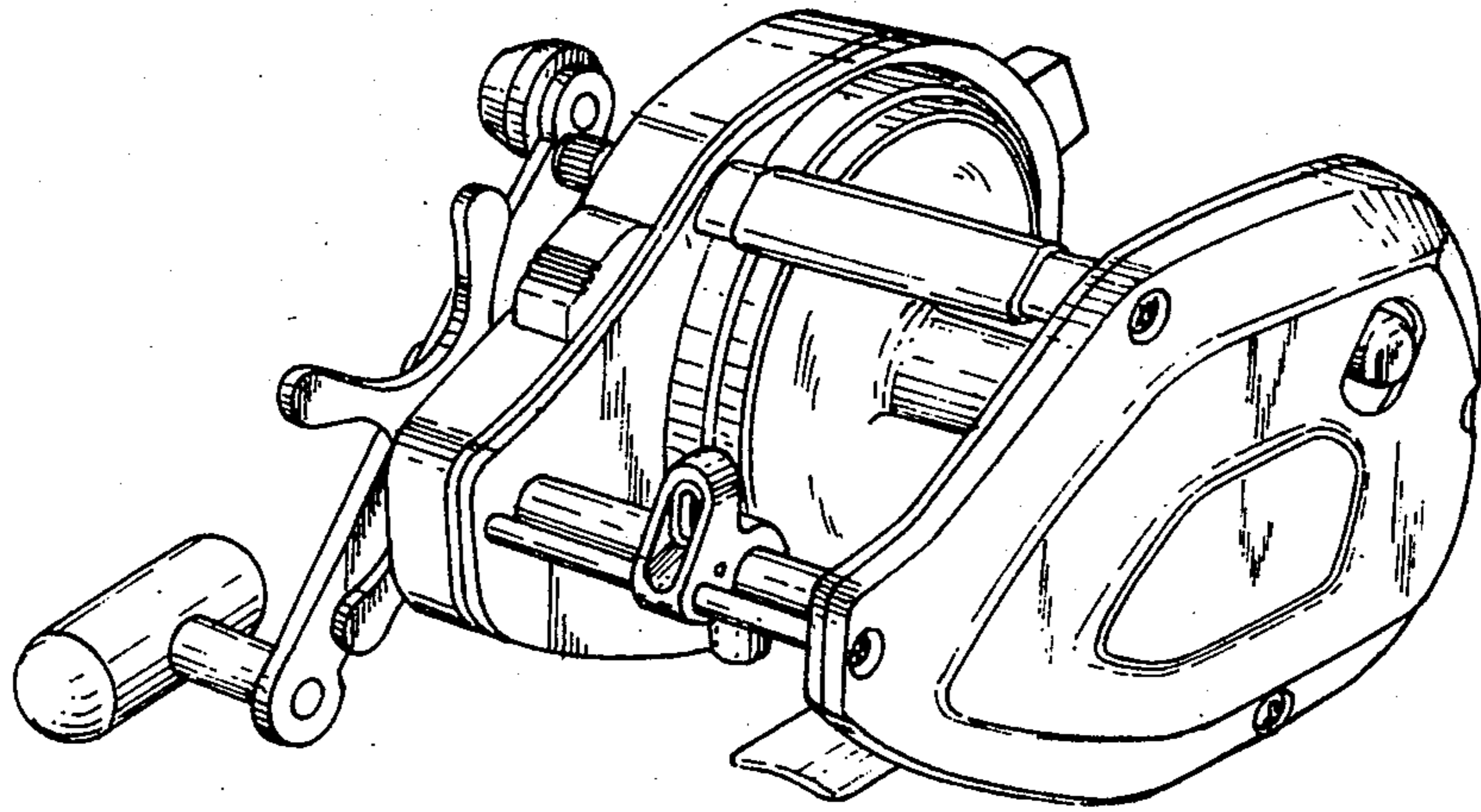
The ornamental design for a fishing reel, as shown and described.

**DESCRIPTION**

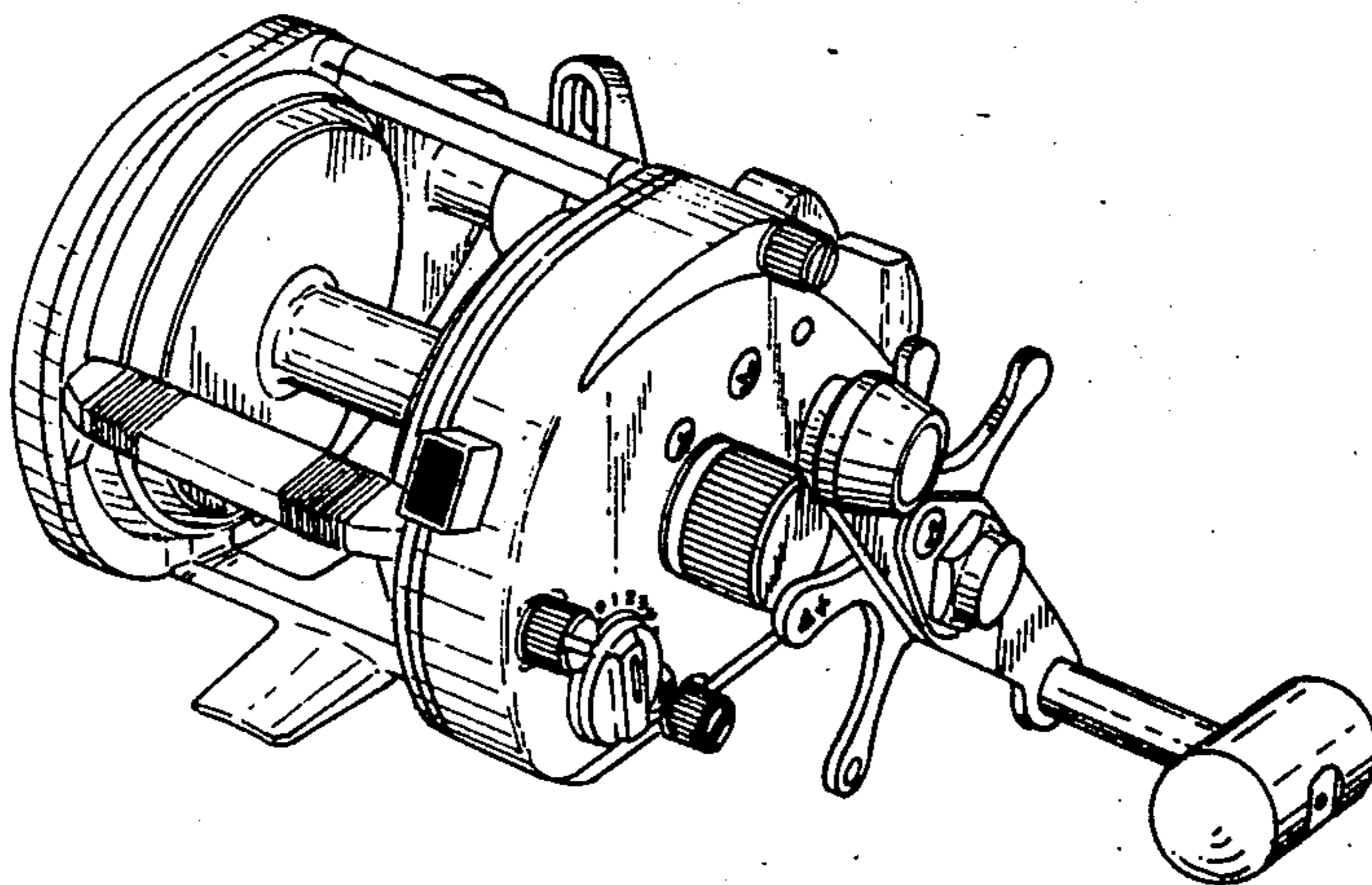
FIG. 1 is a top, rear and right side perspective view of a reel of the subject new design;  
FIG. 2 is a top, front and left side perspective view thereof;  
FIG. 3 is a front view thereof;  
FIG. 4 is a rear view thereof;  
FIG. 5 is a right side view thereof;  
FIG. 6 is a left side view thereof;  
FIG. 7 is a top plan view thereof; and  
FIG. 8 is a bottom plan view thereof.



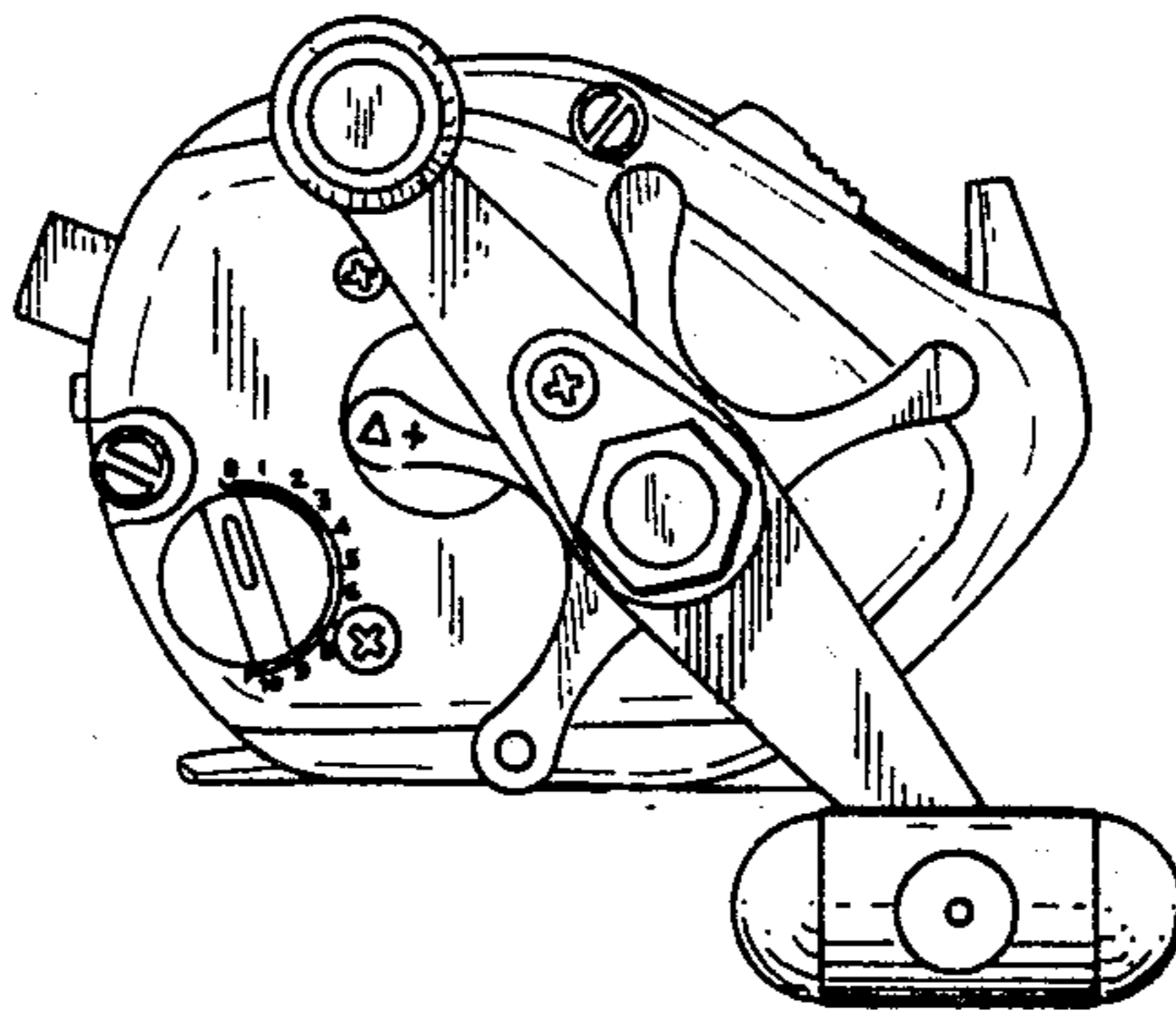
**FIG. 1**



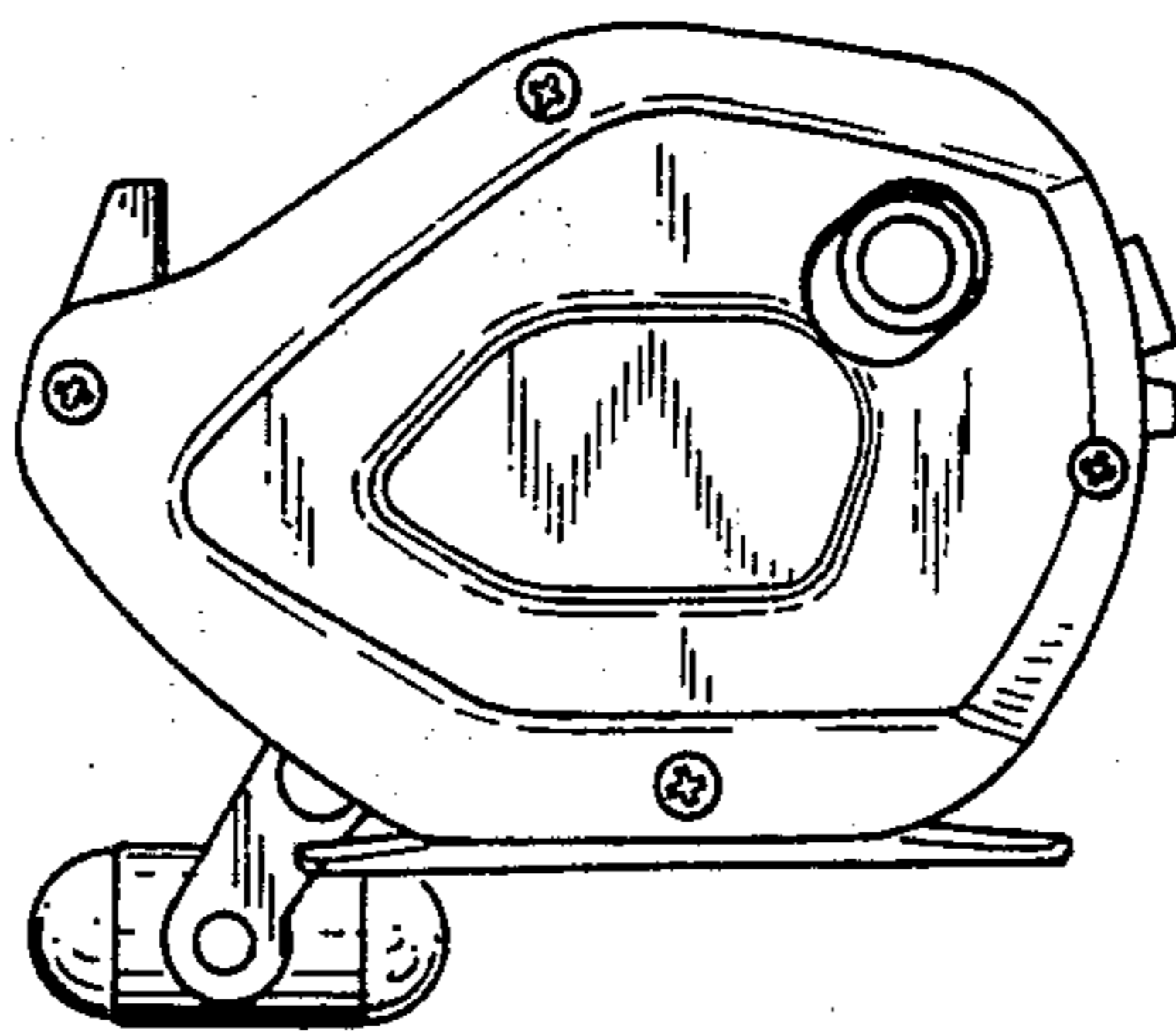
**FIG. 2**



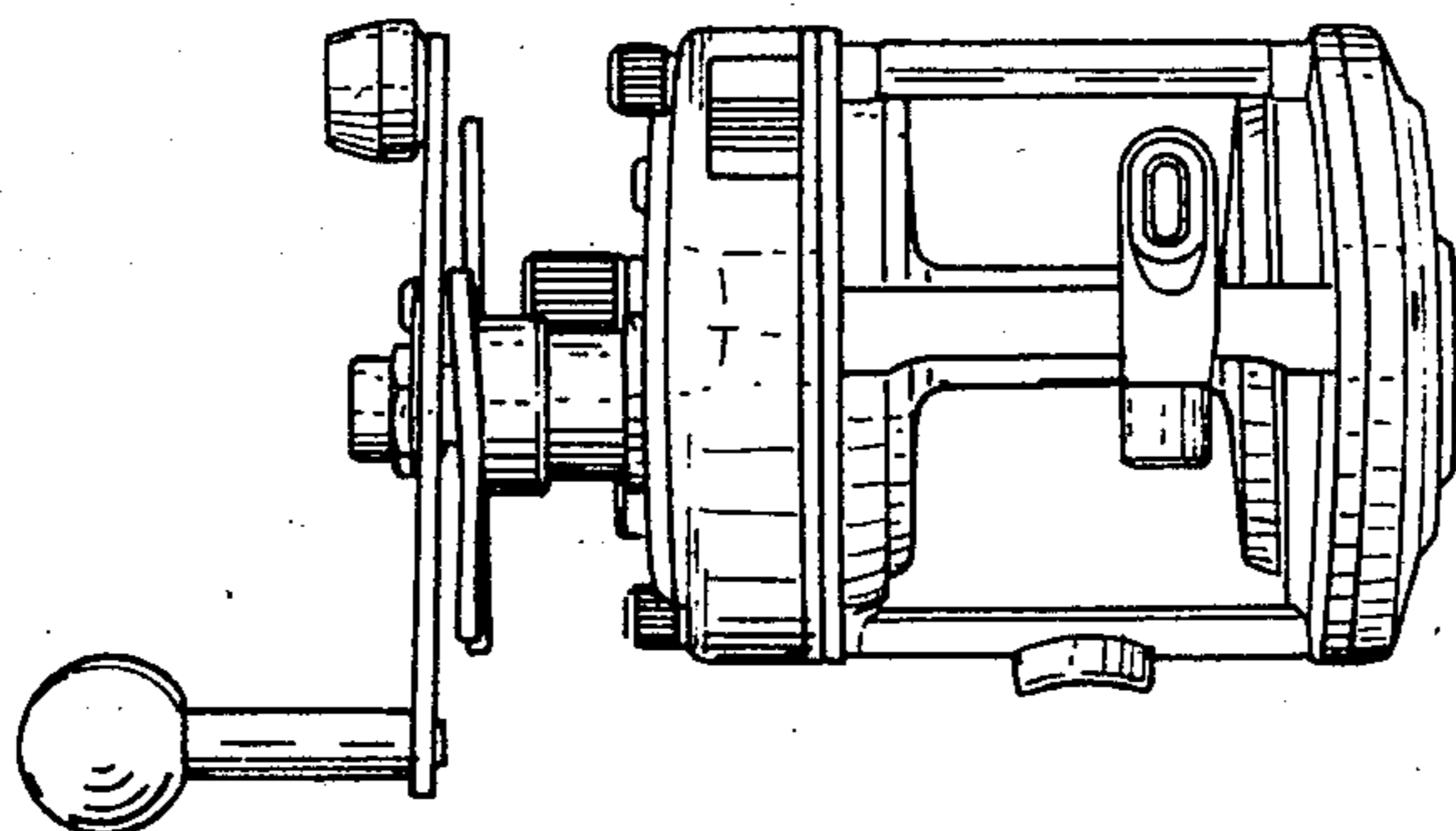
**FIG.3**



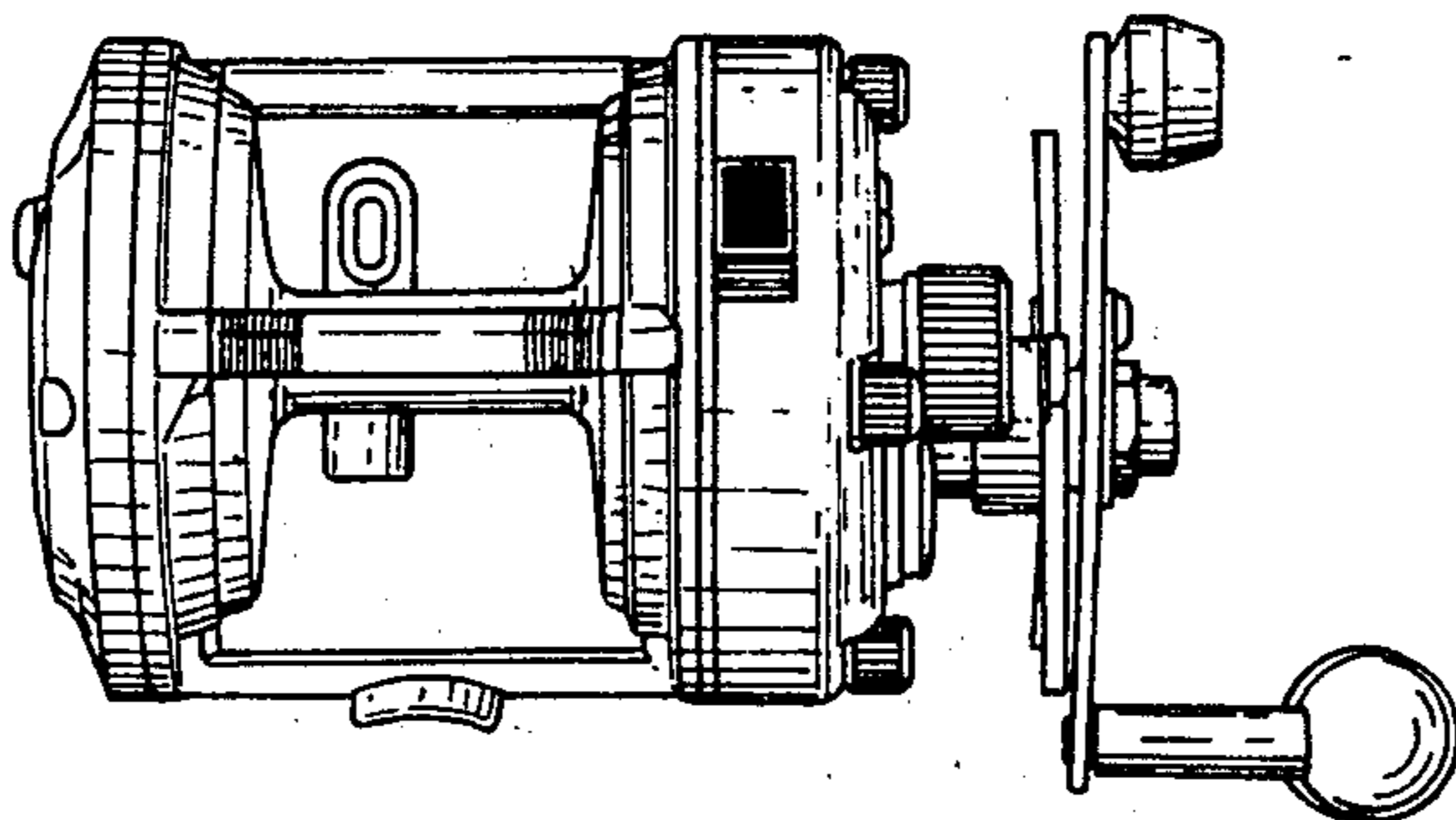
**FIG.4**



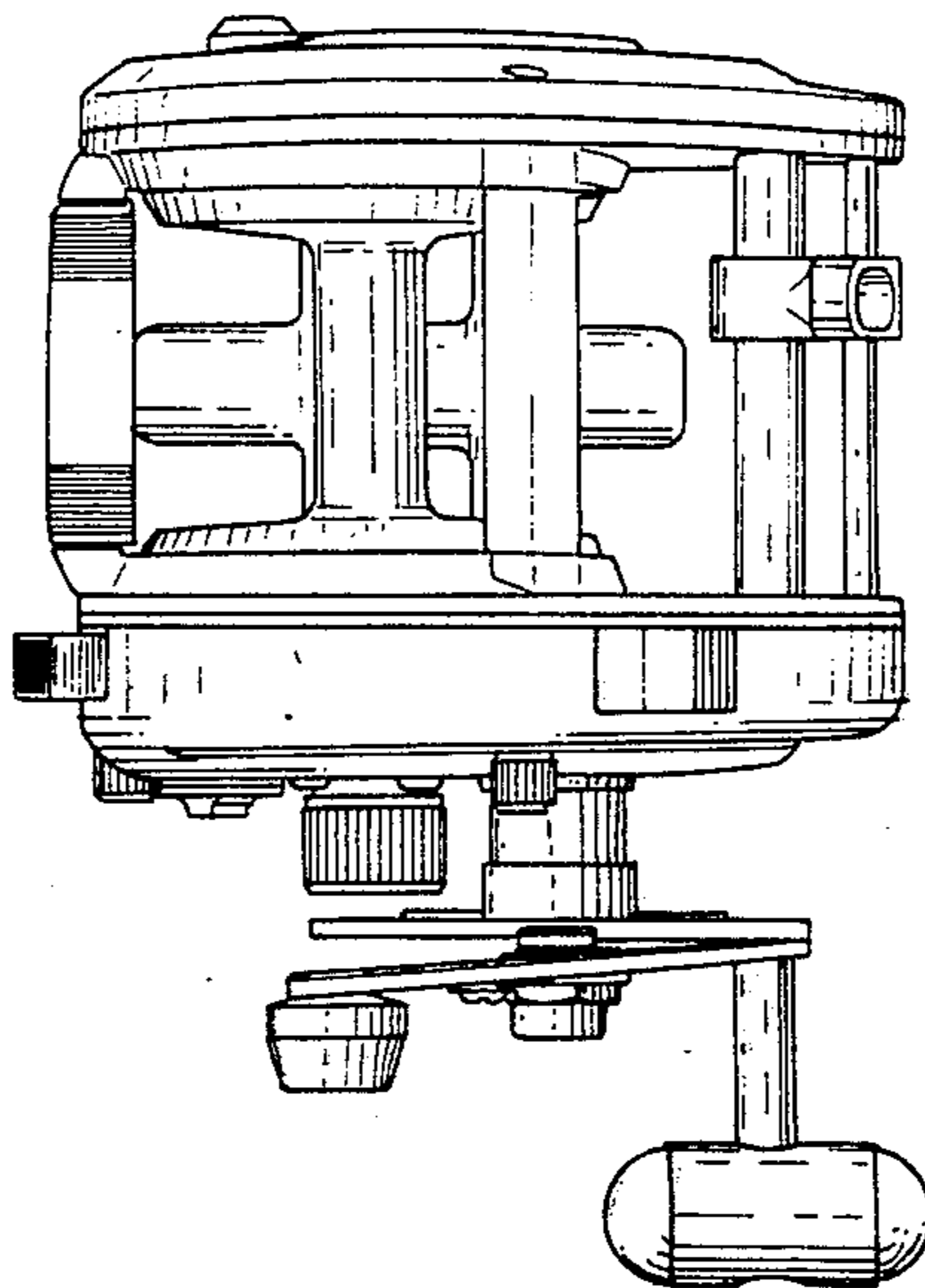
**FIG. 5**



**FIG. 6**



**FIG. 7**



**FIG. 8**

