

United States Patent [19]

Smernoff

[11] Patent Number: **Des. 284,205**

[45] Date of Patent: **** Jun. 10, 1986**

[54] **SUSPENDABLE BAG**

[75] Inventor: **Ronald B. Smernoff, Belmont, Calif.**

[73] Assignee: **Analytical Products, Inc., Belmont, Calif.**

[**] Term: **14 Years**

[21] Appl. No.: **519,374**

[22] Filed: **Aug. 1, 1983**

[52] U.S. Cl. **D19/90; D9/305**

[58] Field of Search **D9/305, 434, 457, 499, D9/443; D19/90, 91; 312/11, 12, 13, 14, 184, 187; 211/46; 248/101; D24/58**

[56] **References Cited**

U.S. PATENT DOCUMENTS

D. 213,479	3/1969	Williams	D9/305
2,165,157	7/1939	Smith	312/184
2,920,670	1/1960	Mohlmann	383/14 X
3,114,497	12/1963	Kugler	D9/305 X
3,459,362	8/1969	Giachi	D9/305 X
3,730,738	5/1973	Cook et al.	312/184
3,863,828	2/1975	King	312/184 X

4,079,533	3/1978	Rohner	D19/90 X
4,171,854	10/1979	Hedstrom et al.	312/184
4,193,218	3/1980	Mermelstein	312/184 X
4,232,918	11/1980	Leber	312/184

FOREIGN PATENT DOCUMENTS

894884 4/1962 United Kingdom .

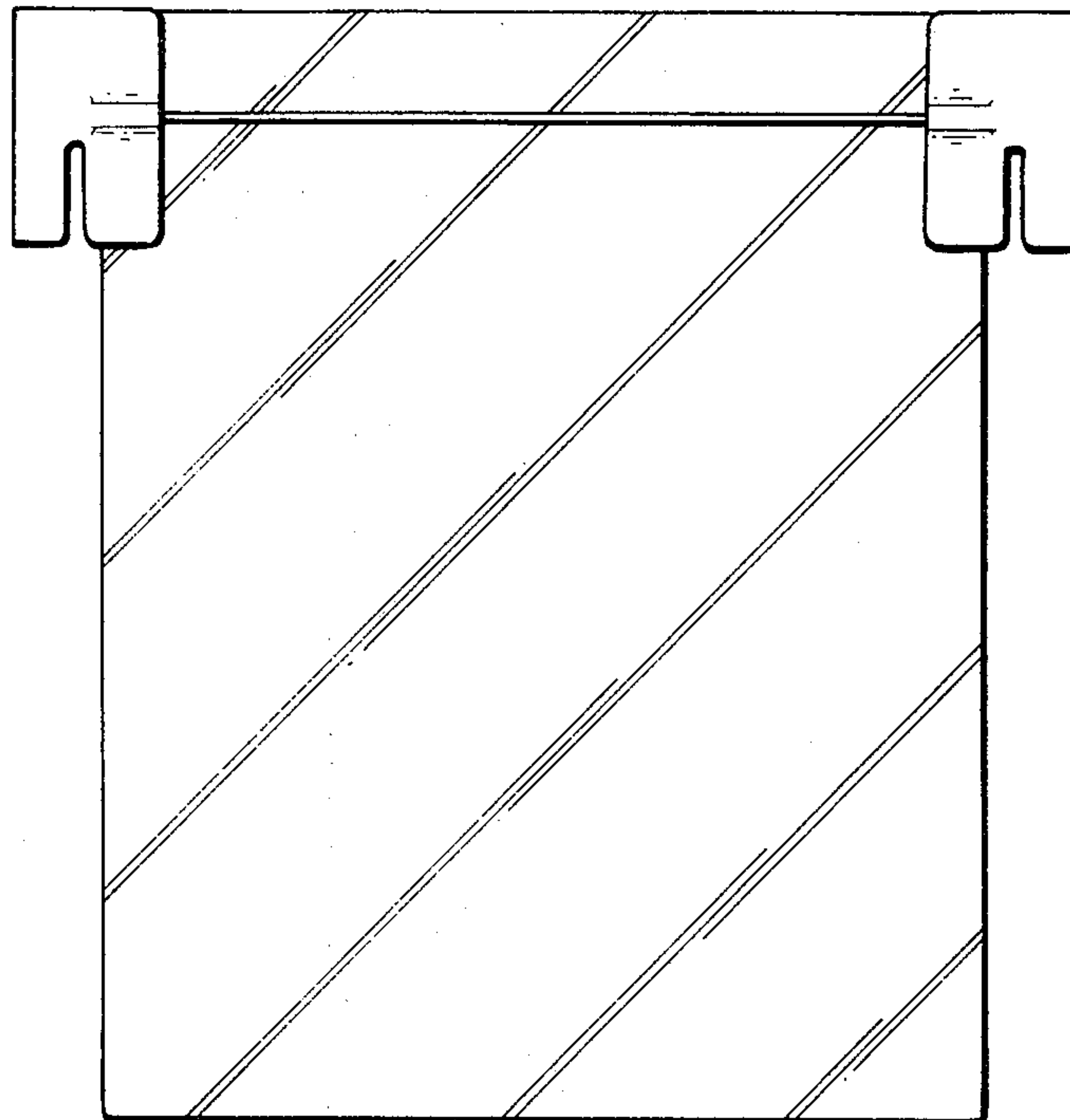
Primary Examiner—Robert C. Spangler
Attorney, Agent, or Firm—Fliesler, Dubb, Meyer & Lovejoy

[57] CLAIM

The ornamental design for a suspendable bag, as shown and described.

DESCRIPTION

FIG. 1 is a perspective view of a suspendable bag showing my new design;
FIG. 2 is a front elevational view, the rear being the same in appearance;
FIG. 3 is a view looking from the right of FIG. 2, the opposite side being the same in appearance;
FIG. 4 is a top plan view; and
FIG. 5 is a bottom plan view.



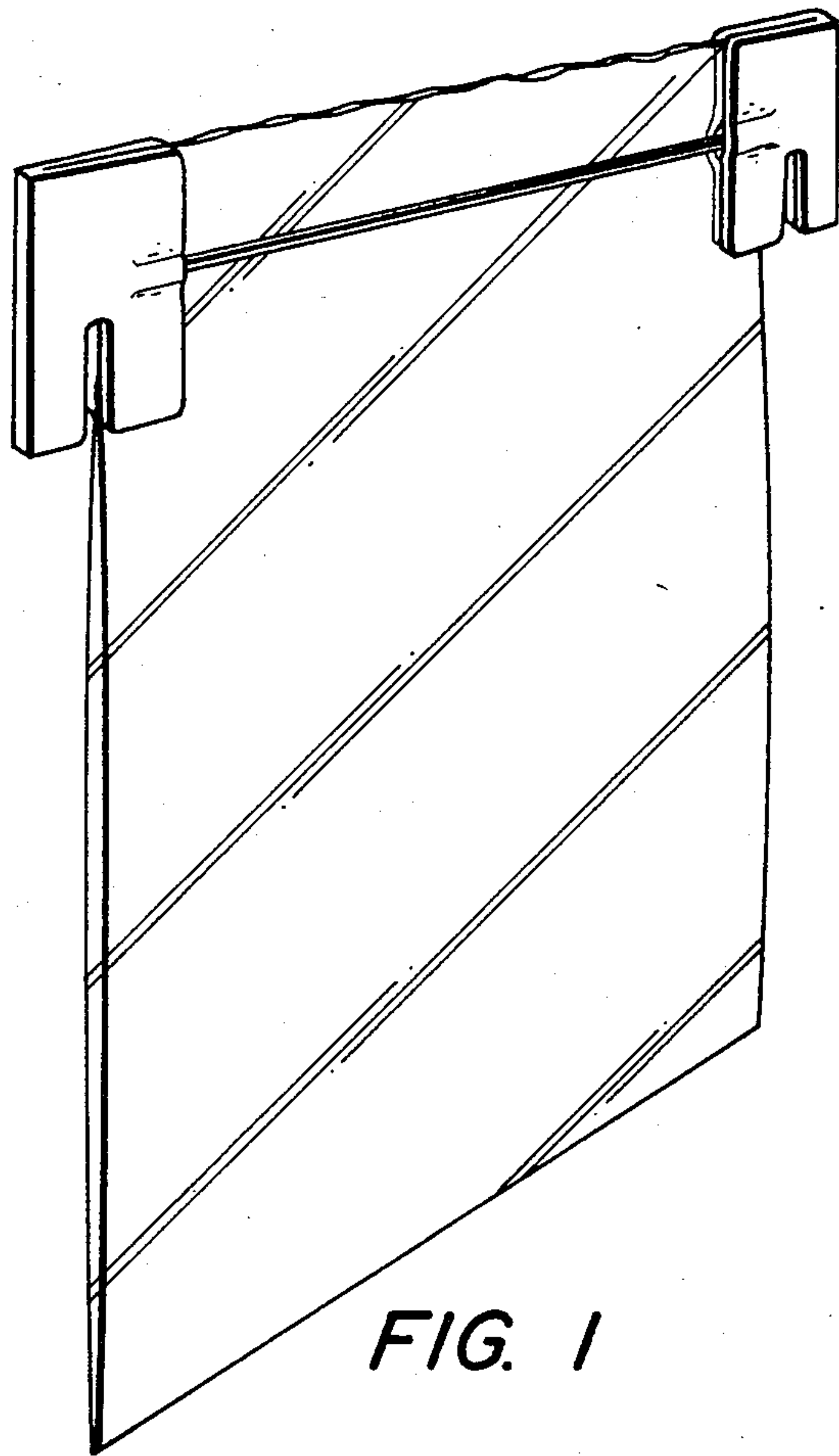


FIG. 1

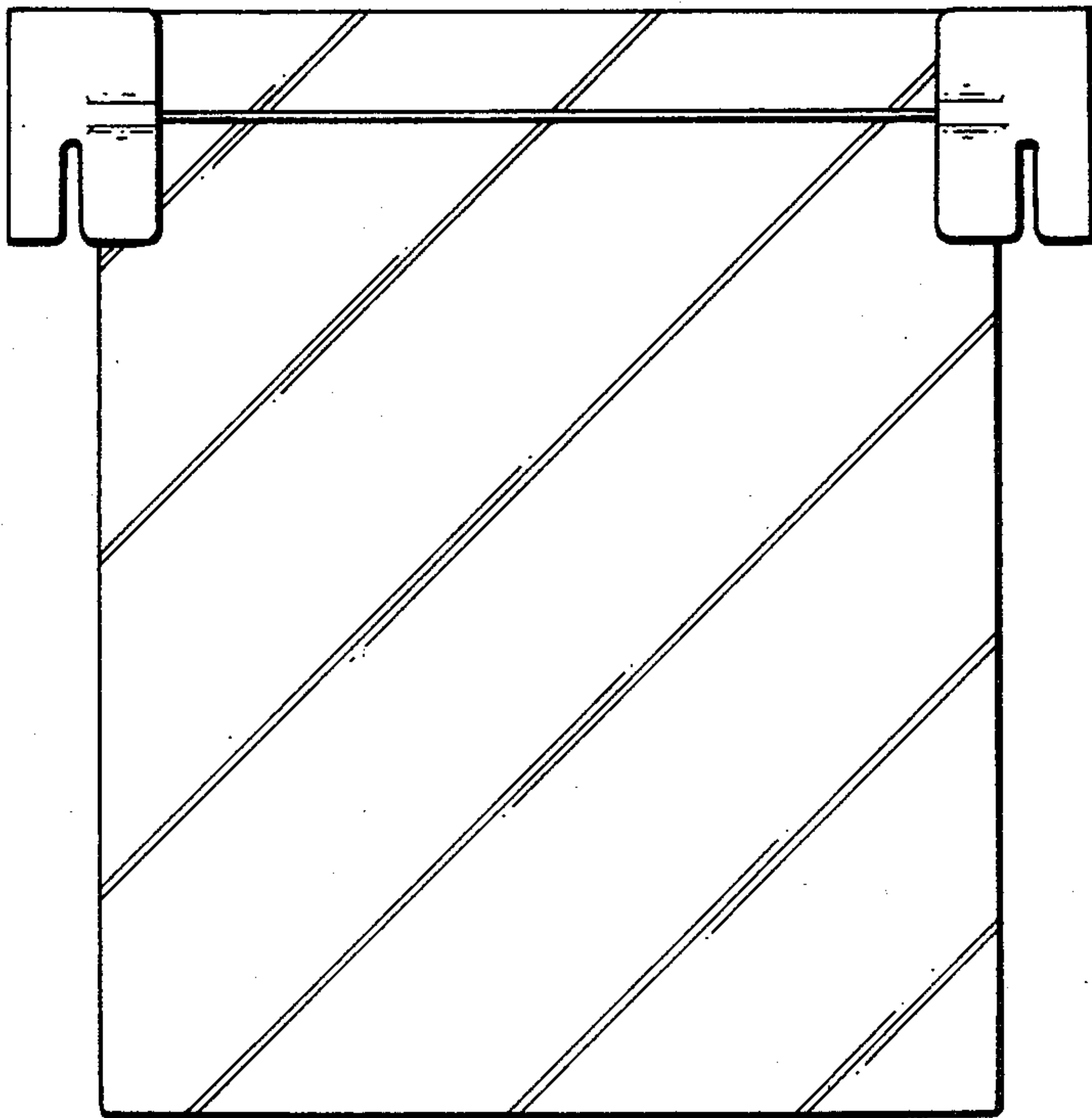


FIG. 2



FIG. 3



FIG. 4

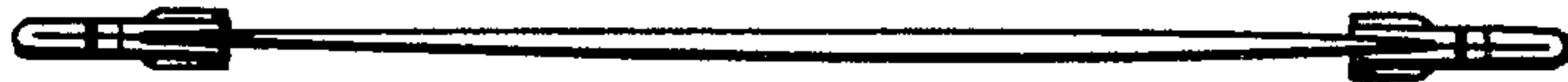


FIG. 5