

[54] INDEX CARD STORAGE CONTAINER

[75] Inventor: Balthasar Kirchner, Eferding, Austria

[73] Assignee: Ernst Stadelmann Gesellschaft mbH, Eferding, Austria

[**] Term: 14 Years

[21] Appl. No.: 584,472

[22] Filed: Feb. 28, 1984

[52] U.S. Cl. D19/76; D3/35; D3/78; D19/90

[58] Field of Search D19/75, 76, 90, 99; D3/33, 35, 78; 206/425, 387, 444; 220/22.1, 22.3

[56] References Cited

U.S. PATENT DOCUMENTS

- D. 171,219 12/1953 Mills D3/35
- D. 180,450 6/1957 Mills D3/35
- D. 254,526 3/1980 Dolphin et al. D19/76

- D. 255,805 7/1980 Hampshire et al. D19/76
- D. 259,496 6/1981 Hampshire et al. D19/76
- D. 276,111 10/1984 Doyel D19/90
- 4,366,904 1/1983 Roskvist 206/425

FOREIGN PATENT DOCUMENTS

- 701894 2/1941 Fed. Rep. of Germany 220/22.3

Primary Examiner—George P. Word

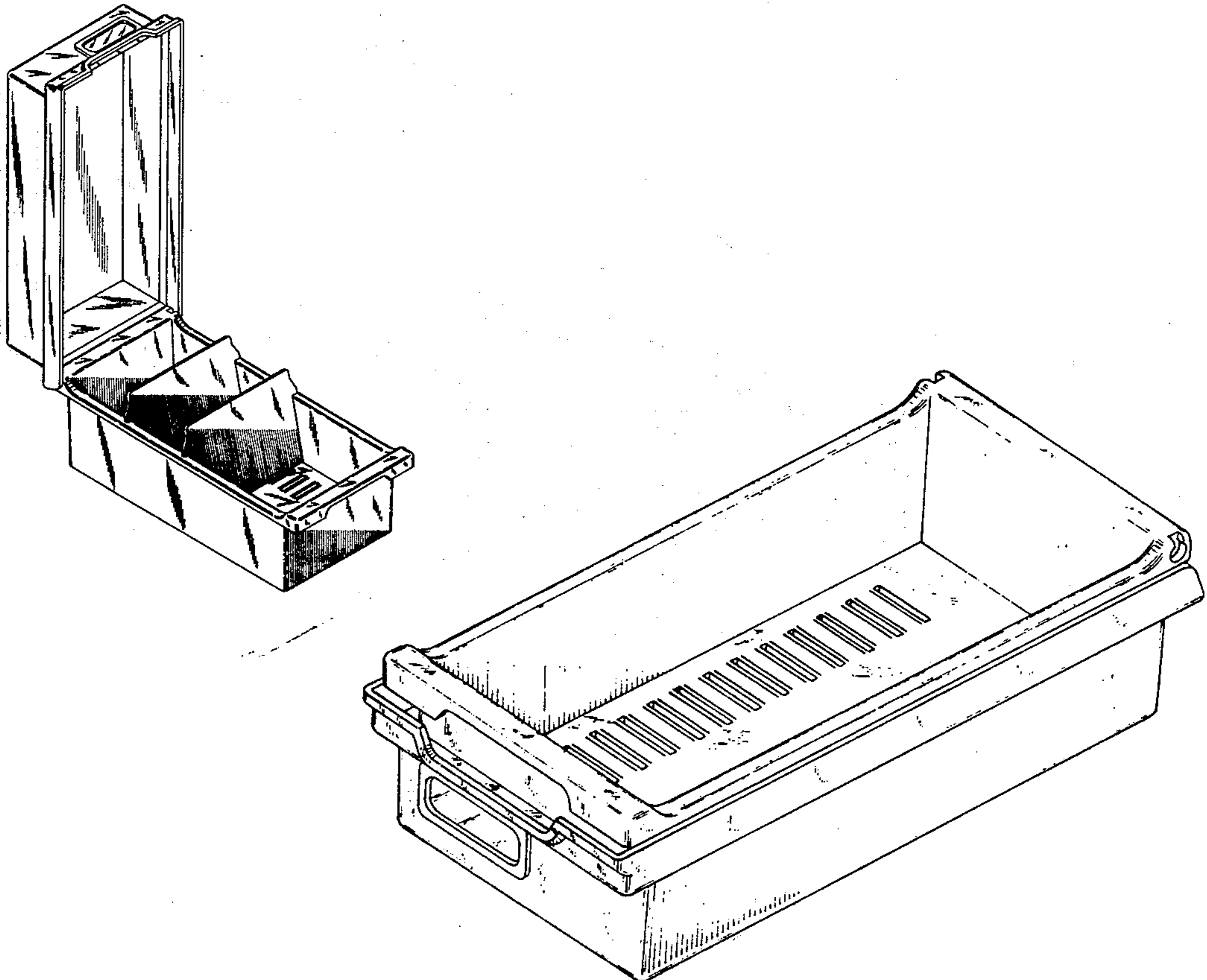
Attorney, Agent, or Firm—Karl F. Ross; Herbert Dubno

[57] CLAIM

The ornamental design for an index card storage container, as shown and described.

DESCRIPTION

FIG. 1 is a right front perspective view of an index card storage container showing my new design;
 FIG. 2 is a left front perspective view thereof with the lid in the open position;
 FIG. 3 is a right front perspective view thereof with the base portion nested in the lid and the dividers removed;
 FIG. 4 is a rear elevational view of FIG. 1; and
 FIG. 5 is a bottom plan view thereof.



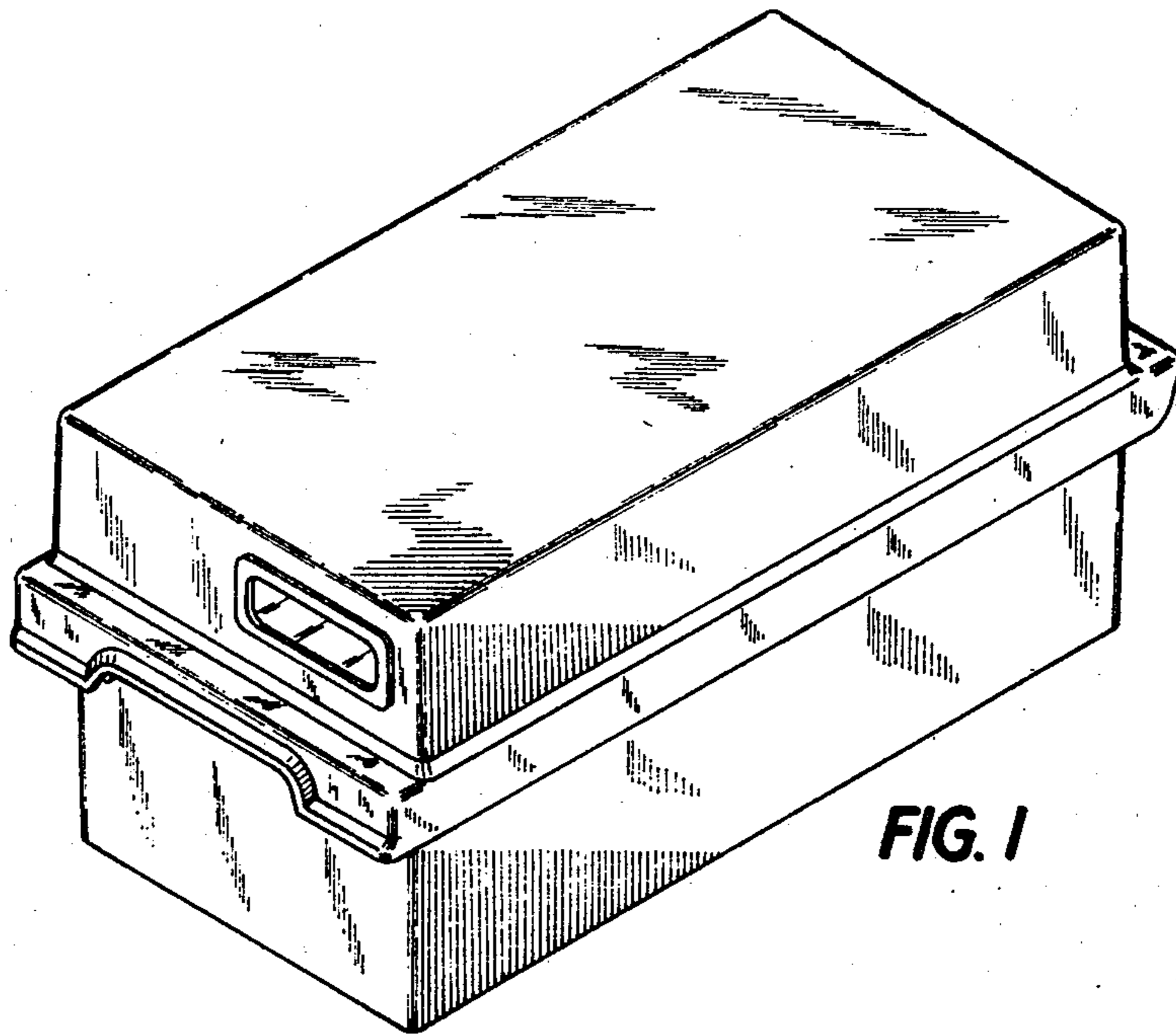


FIG. 1

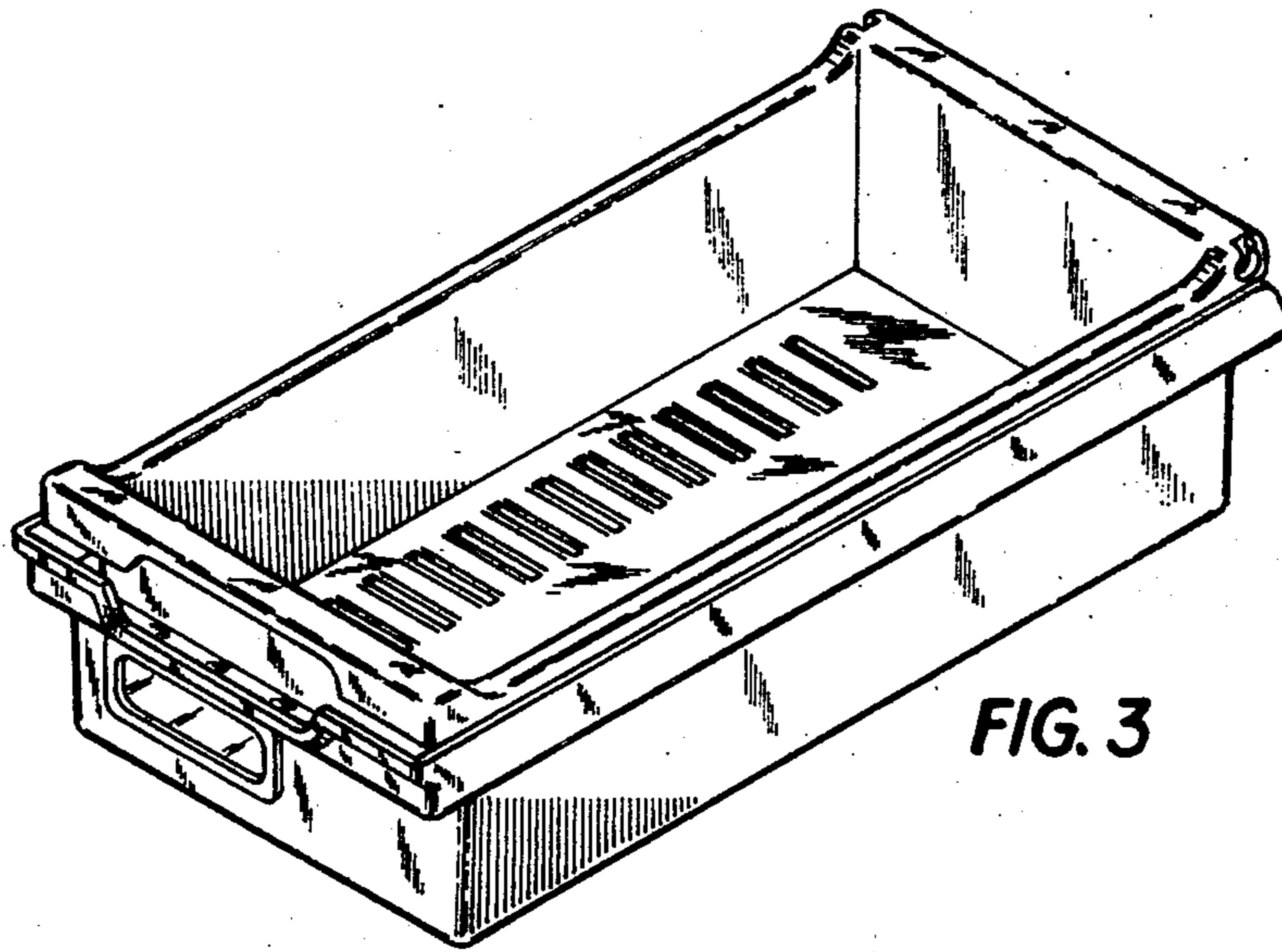


FIG. 3

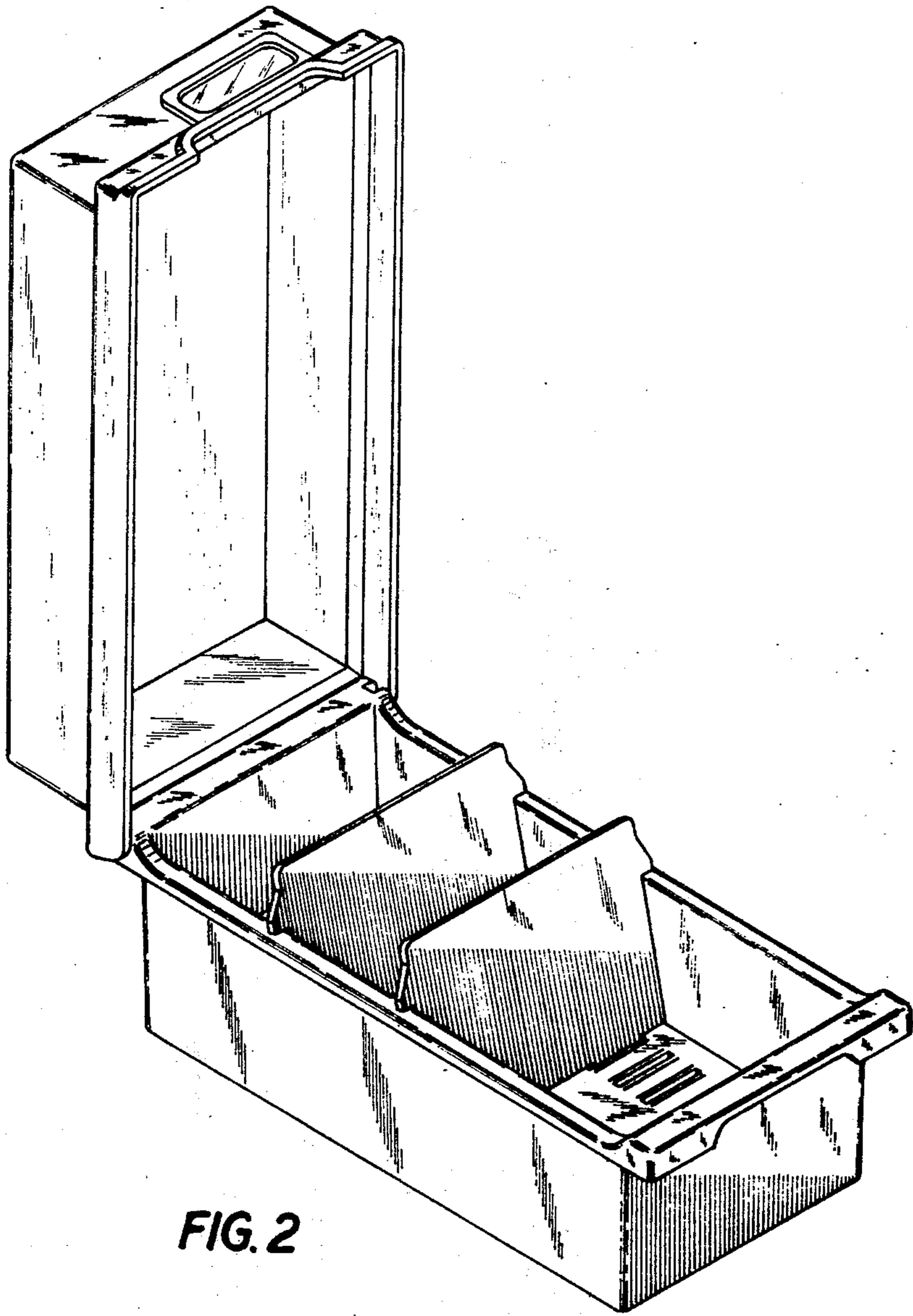


FIG. 2

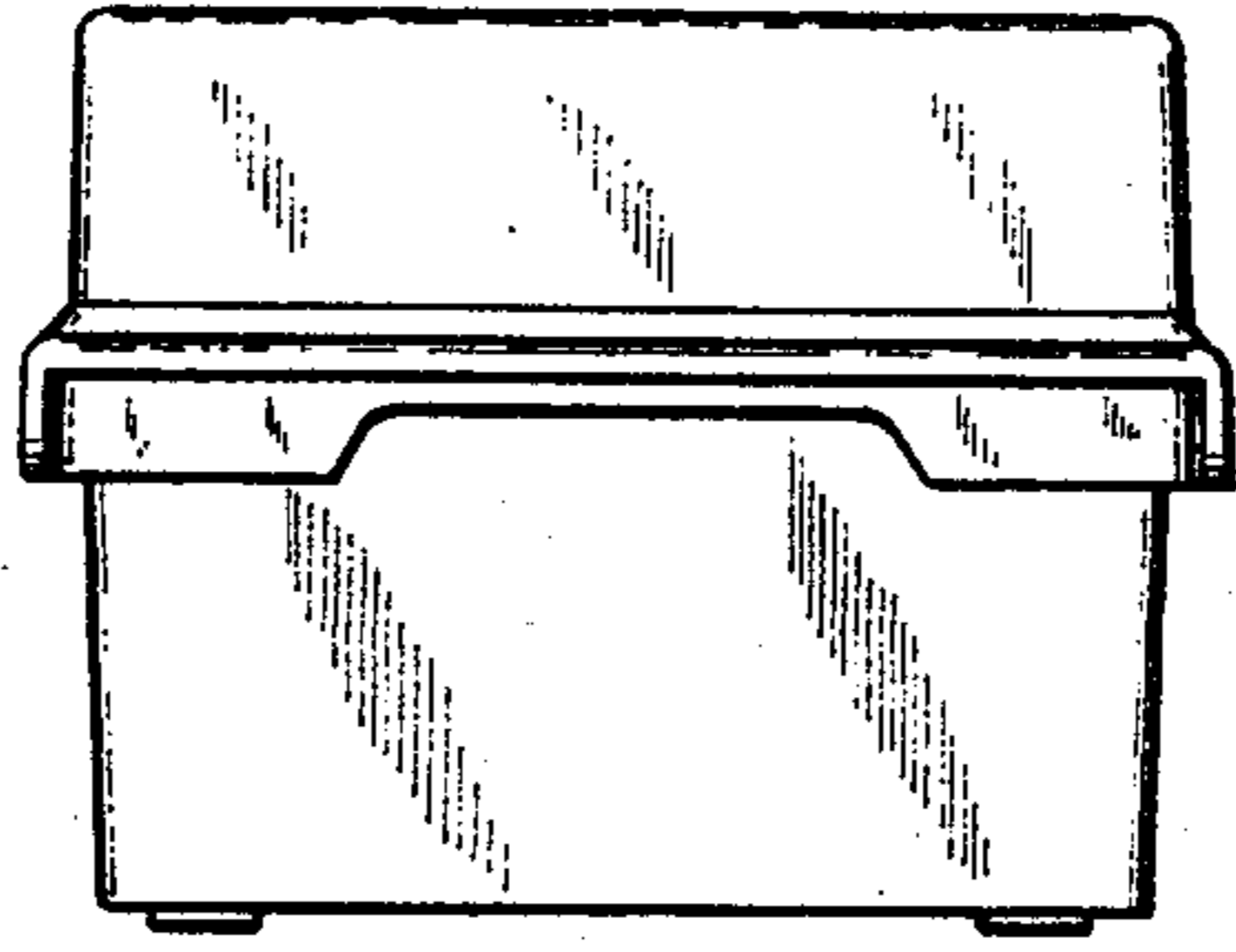


FIG. 4

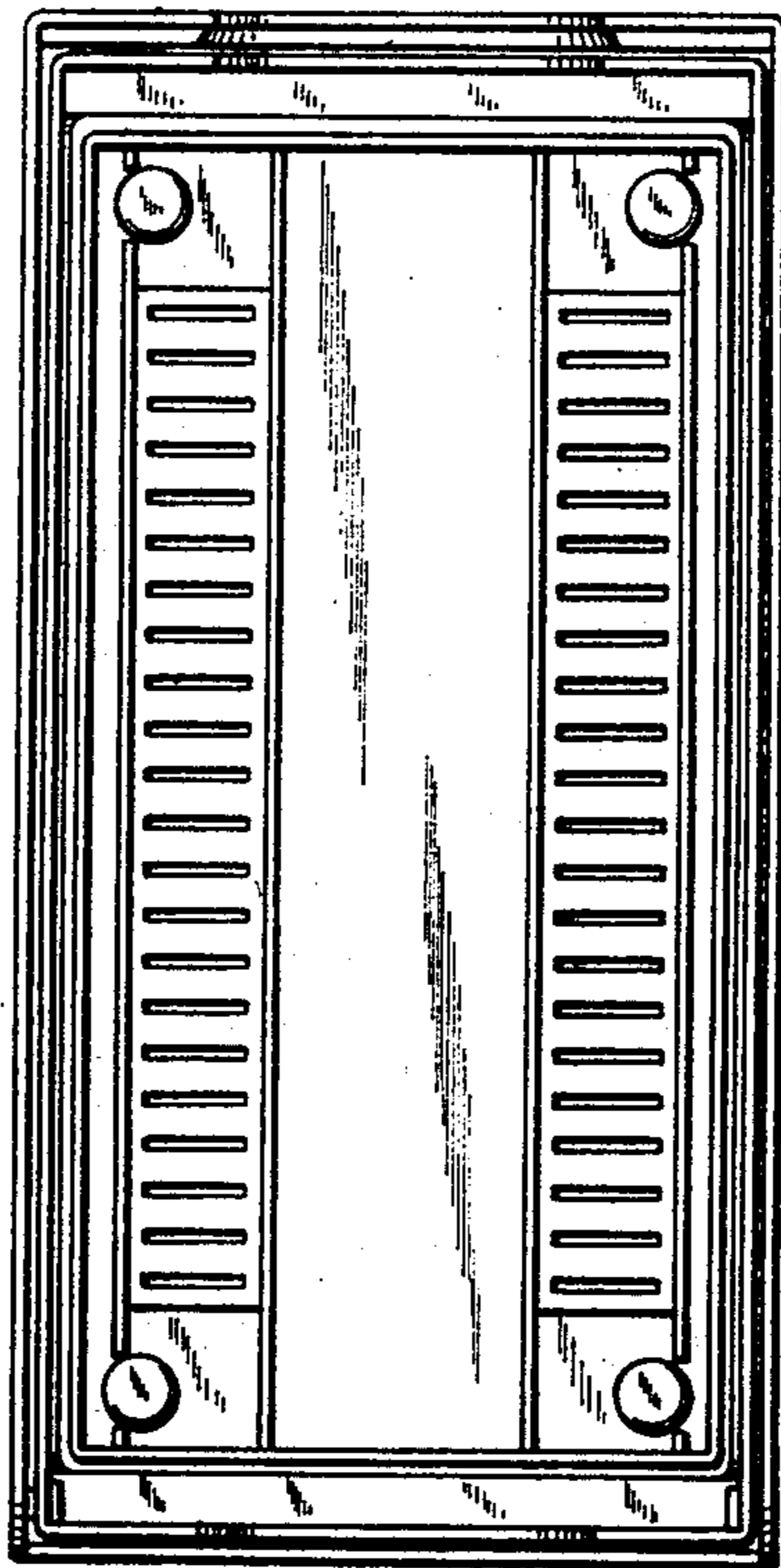


FIG. 5