

[54] FEATURE MODULE FOR A PERSONAL COMPUTER

[75] Inventors: Myron F. Davis; Willis Y. Jordan, III; Robert L. Syler, all of Boca Raton; Harold D. Yeaw, North Palm Beach, all of Fla.

[73] Assignee: International Business Machines Corporation, Armonk, N.Y.

[**] Term: 14 Years

[21] Appl. No.: 529,902

[22] Filed: Sep. 7, 1983

[52] U.S. Cl. D14/114

[58] Field of Search D14/100, 105, 106, 107, D14/114, 115; 364/708; D13/40, 41

[56] References Cited

U.S. PATENT DOCUMENTS

- D. 249,945 10/1978 Freijd D14/115
- D. 264,583 5/1982 Kessler D13/41

OTHER PUBLICATIONS

Atari 800 Personal Computer System Brochure ©1980, Atari 850, Interface Module. Computer Design, 11-1980, p. 84, Bizcomp Intelligent Modem.

Primary Examiner—Susan J. Lucas

[57] CLAIM

The ornamental design for a feature module for a personal computer, as shown and described.

DESCRIPTION

FIG. 1 is a top, front, right side perspective view of a feature module for a personal computer showing our new design;

FIG. 2 is a bottom, rear left side perspective view thereof;

FIG. 3 is a front elevational view thereof on an enlarged scale;

FIG. 4 is a rear elevational view thereof on an enlarged scale;

FIG. 5 is a left side elevational view thereof on a reduced scale;

FIG. 6 is a right side elevational view thereof on a reduced scale;

FIG. 7 is a top plan view thereof on a reduced scale;

FIG. 8 is a bottom plan view thereof on a reduced scale.

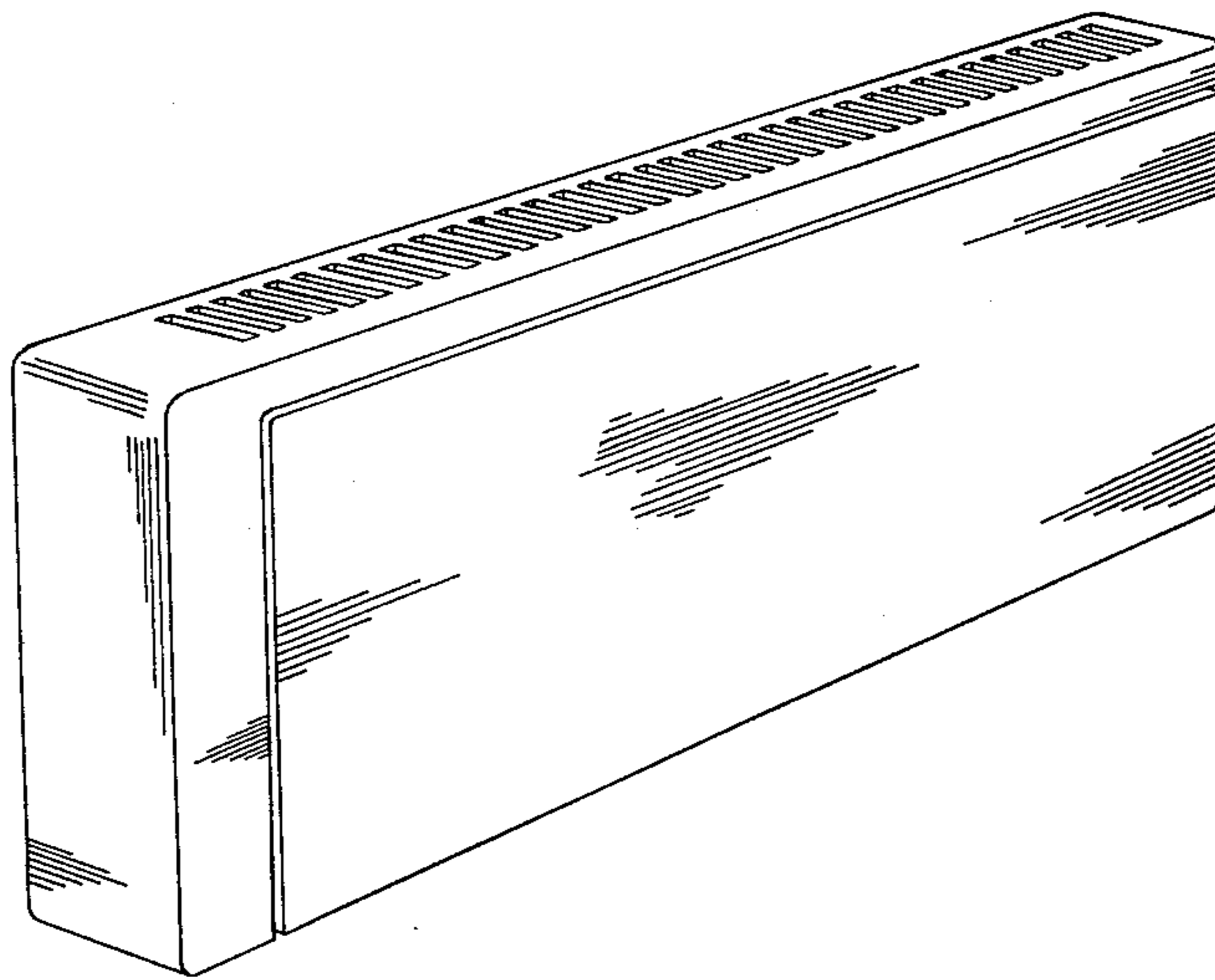


FIG. 1

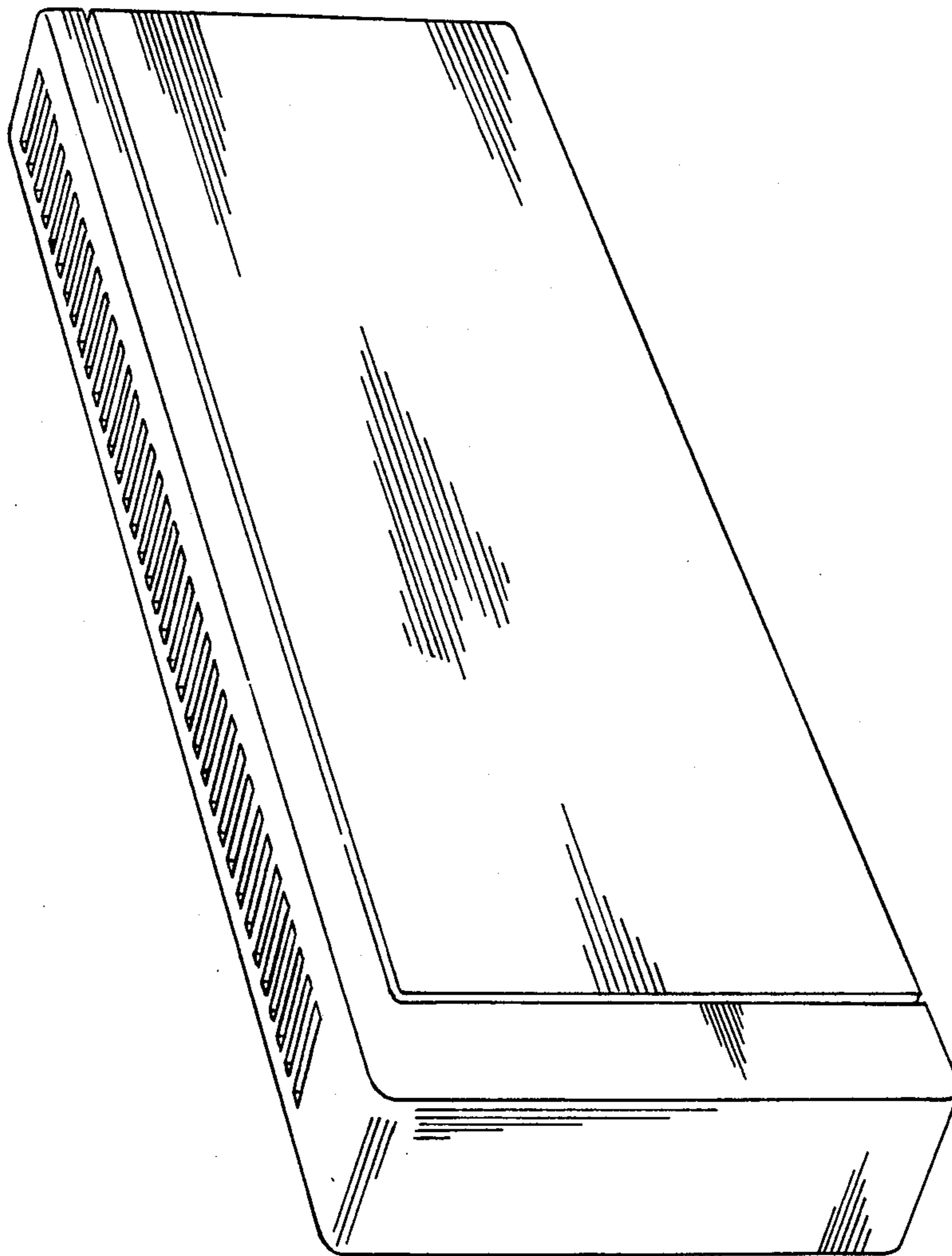


FIG. 2

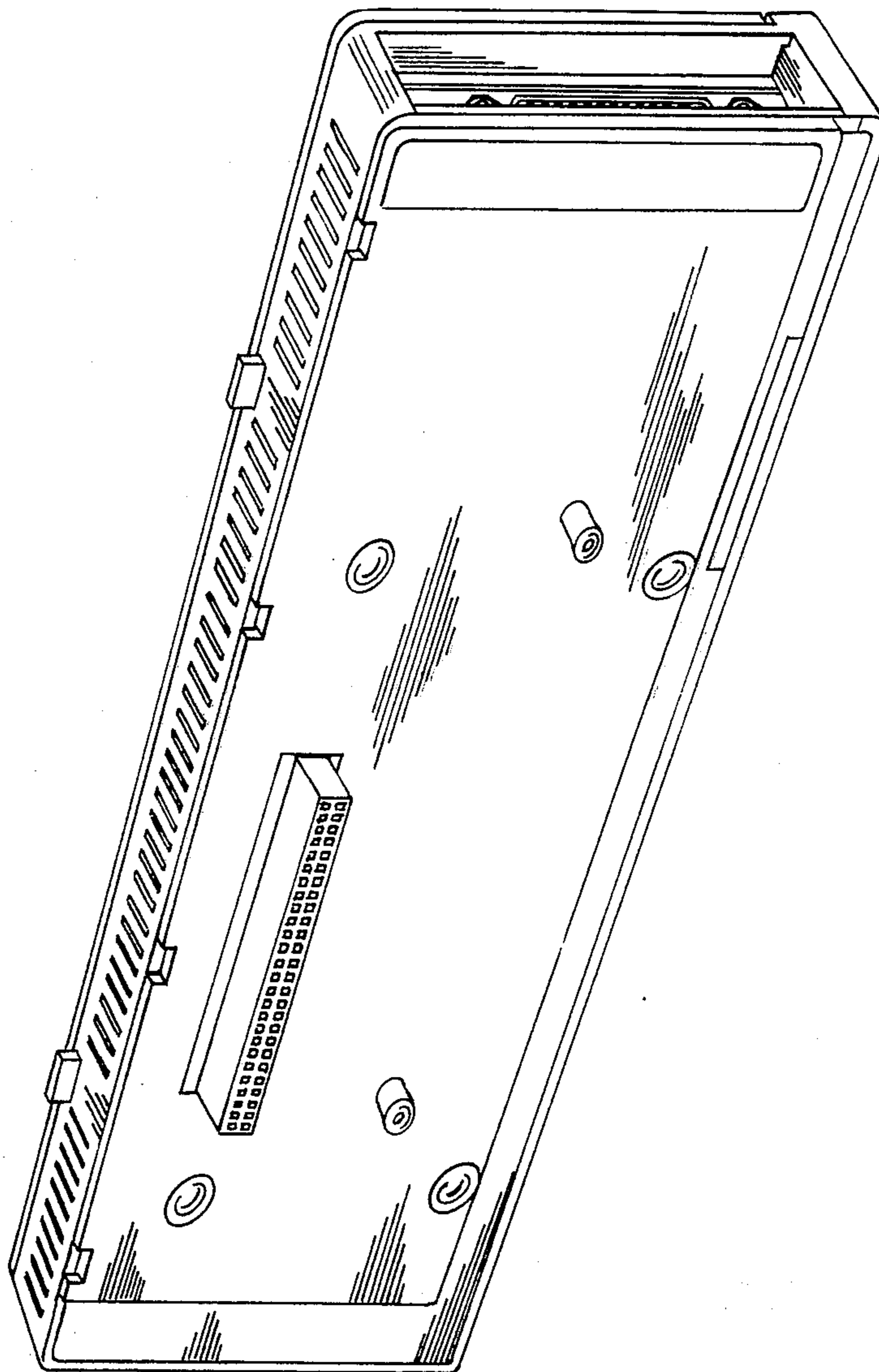


FIG. 3

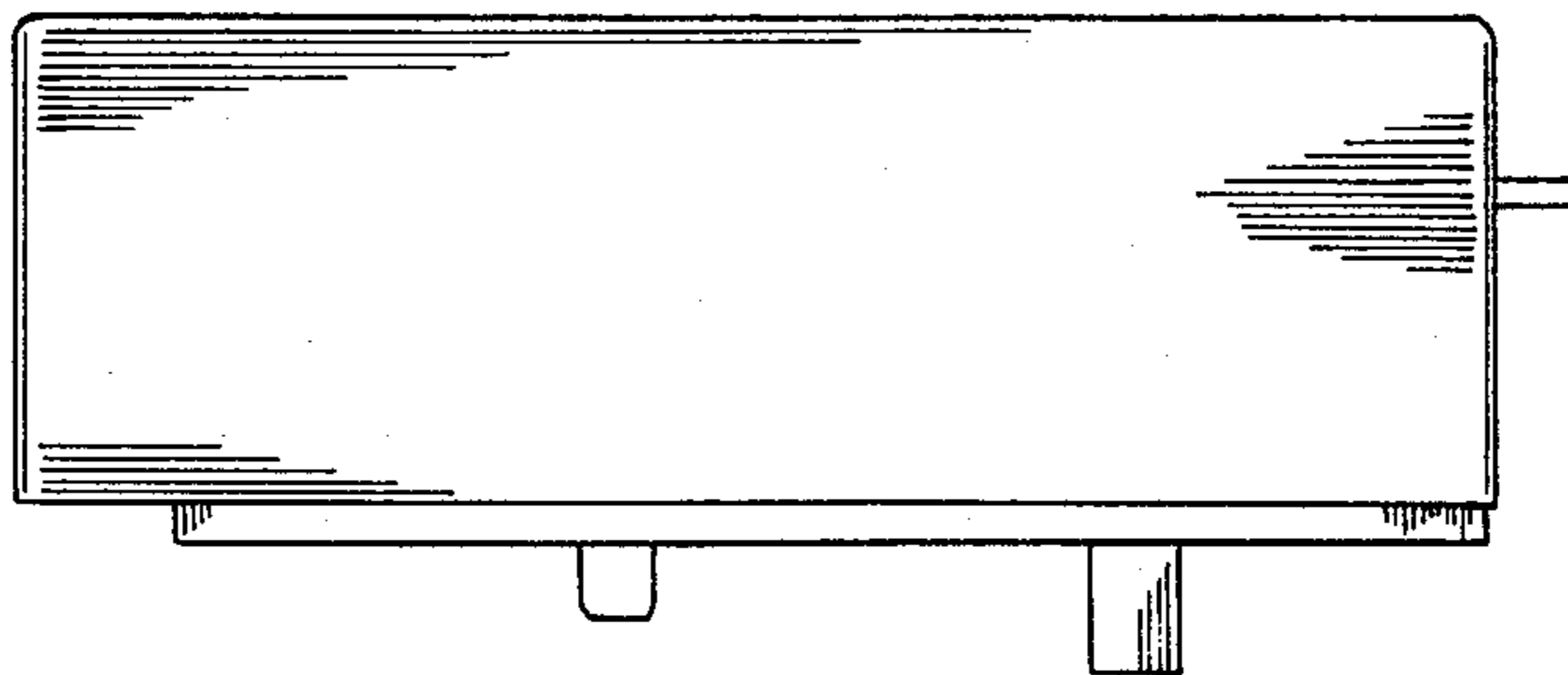


FIG. 4

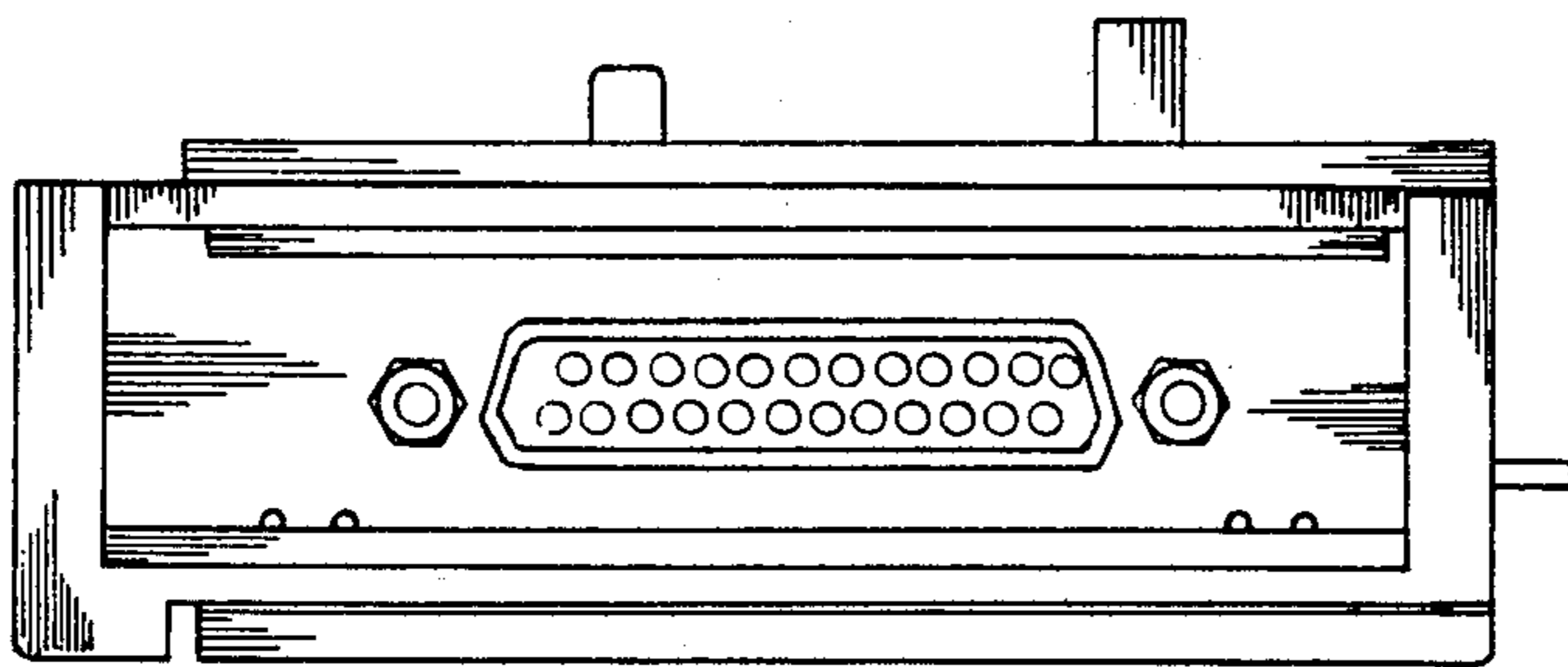


FIG. 5

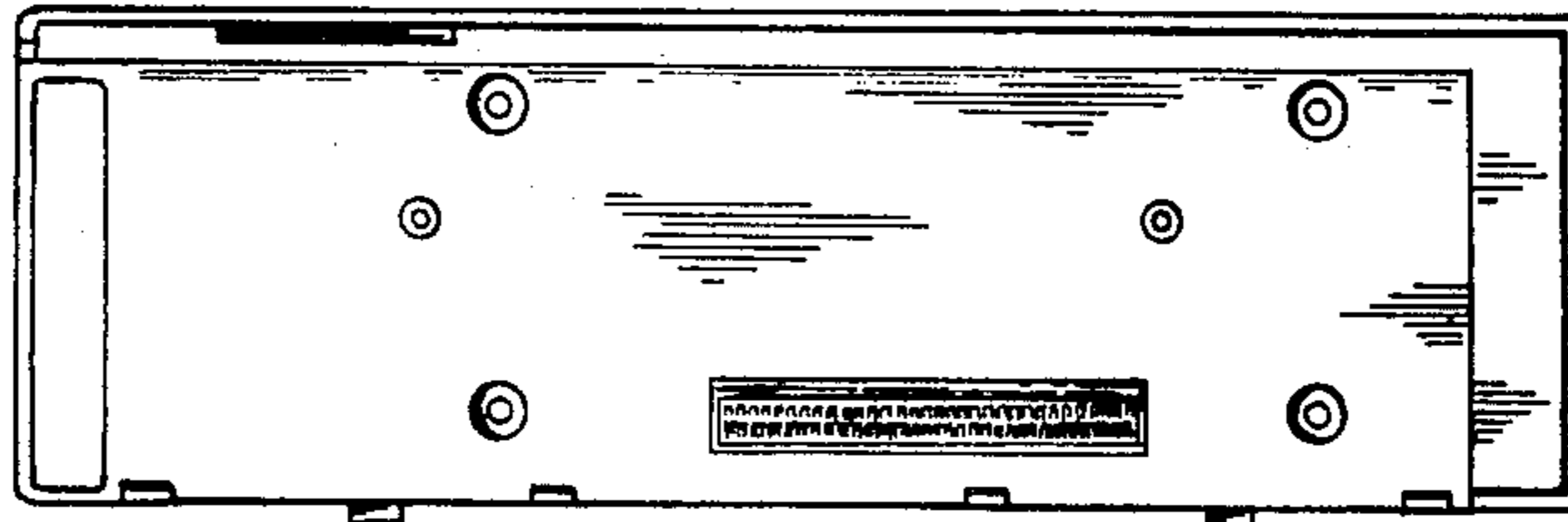


FIG. 6

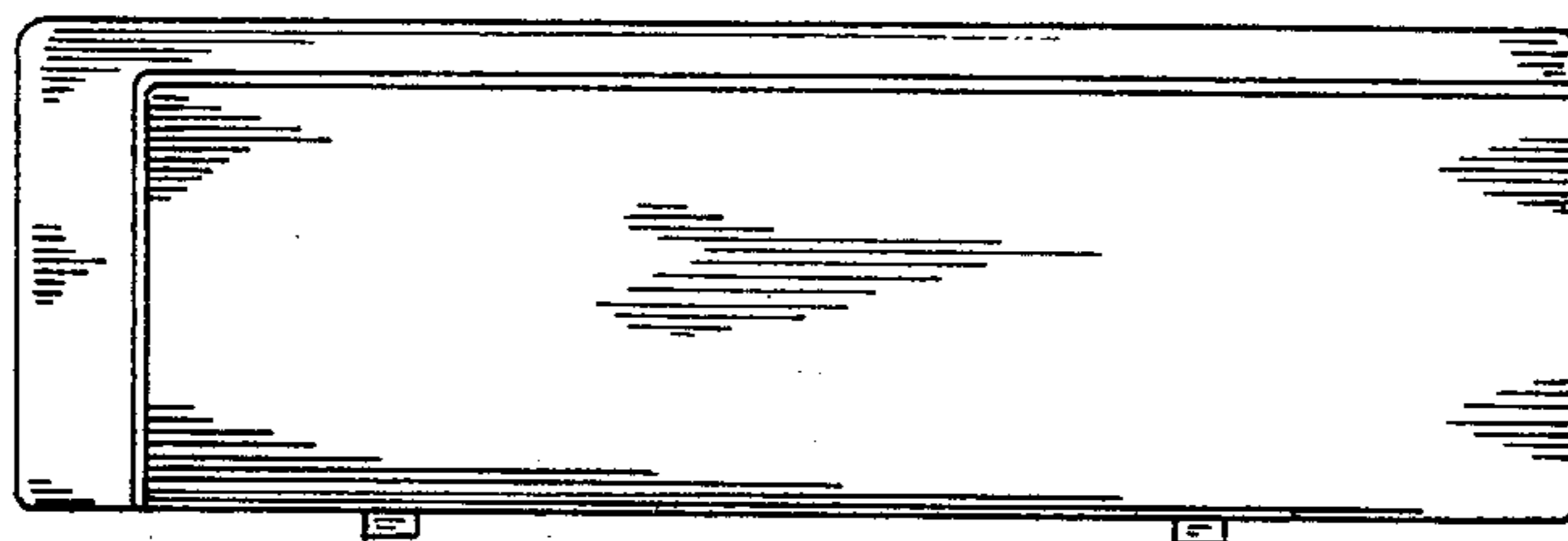


FIG. 7

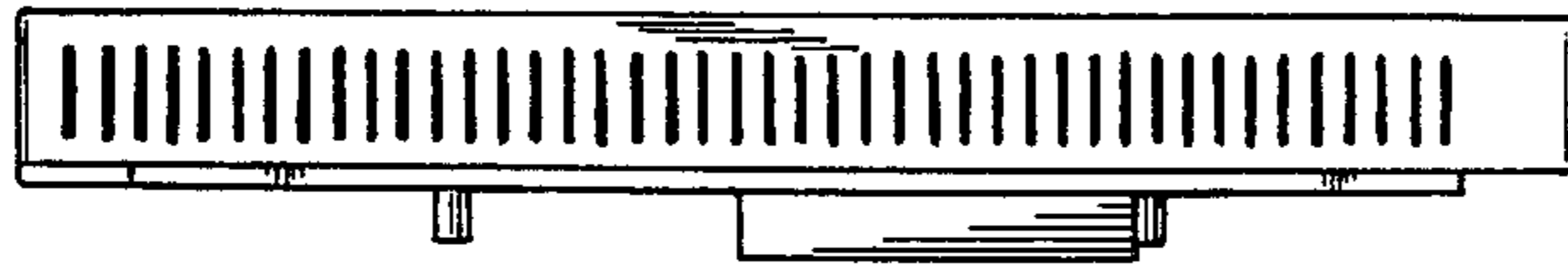


FIG. 8

