

[54] **BOAT**

[75] **Inventors:** Allan B. Hegg; Lloyd S. Makowski, both of Manistee; James S. Phares, Farmington Hills, all of Mich.

[73] **Assignee:** Century Boat Company, Manistee, Mich.

[**] **Term:** 14 Years

[21] **Appl. No.:** 536,858

[22] **Filed:** Sep. 28, 1983

[52] **U.S. Cl.** D12/314

[58] **Field of Search** D12/300-318;
114/56, 355, 357, 283

[56] **References Cited**

U.S. PATENT DOCUMENTS

- D. 219,118 11/1970 Baker D12/300
- D. 261,128 10/1981 Fowler D12/300

OTHER PUBLICATIONS

Hydro Stream '80, Brochure from Marine Specialties.

Primary Examiner—James M. Gandy

Attorney, Agent, or Firm—Price, Heneveld, Huizenga & Cooper

[57] **CLAIM**

The ornamental design for a boat, as shown and described.

DESCRIPTION

FIG. 1 is a perspective view of a boat showing our new design;

FIG. 2 is a top plan view thereof;

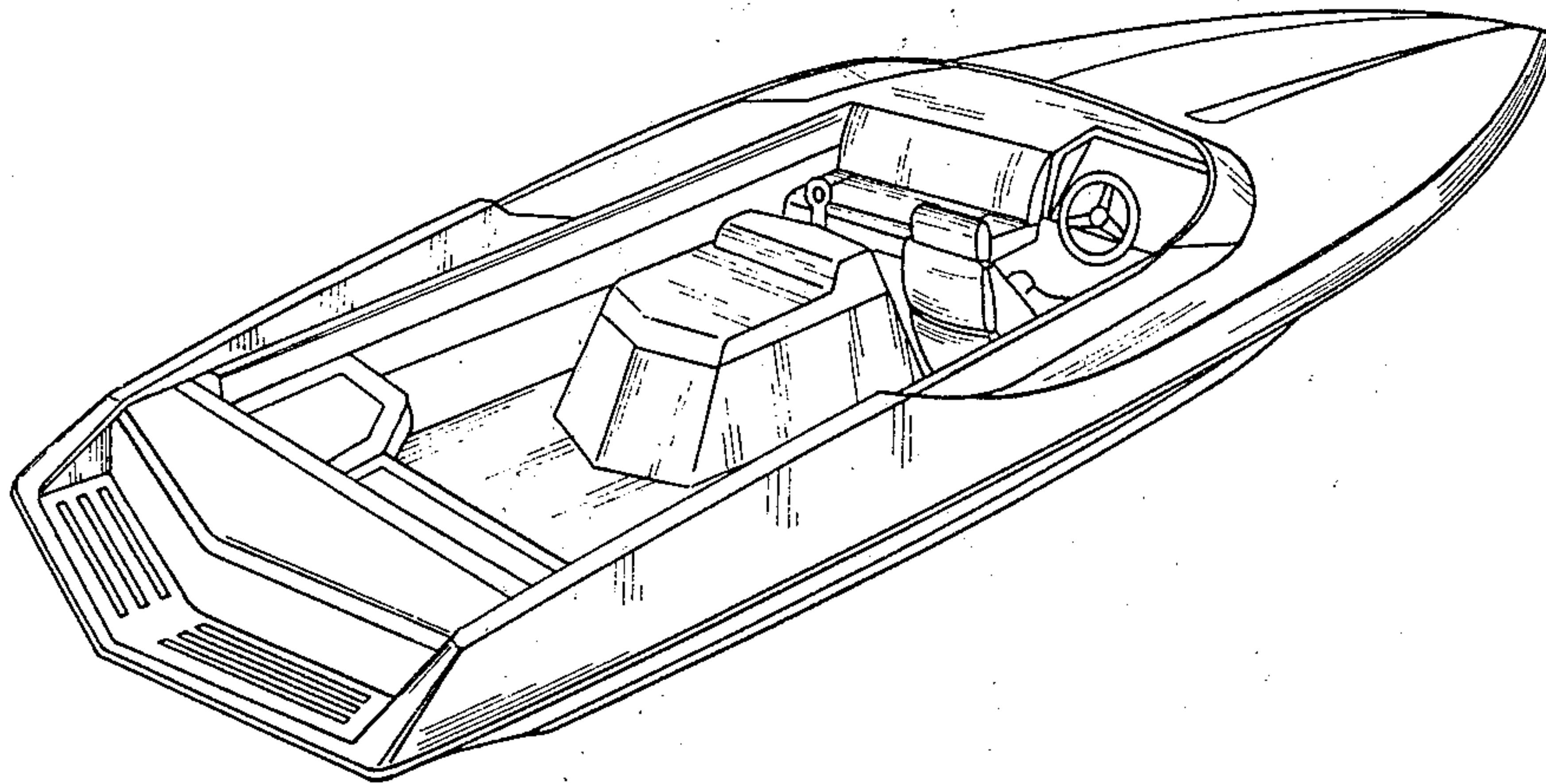
FIG. 3 is a starboard side elevational view thereof;

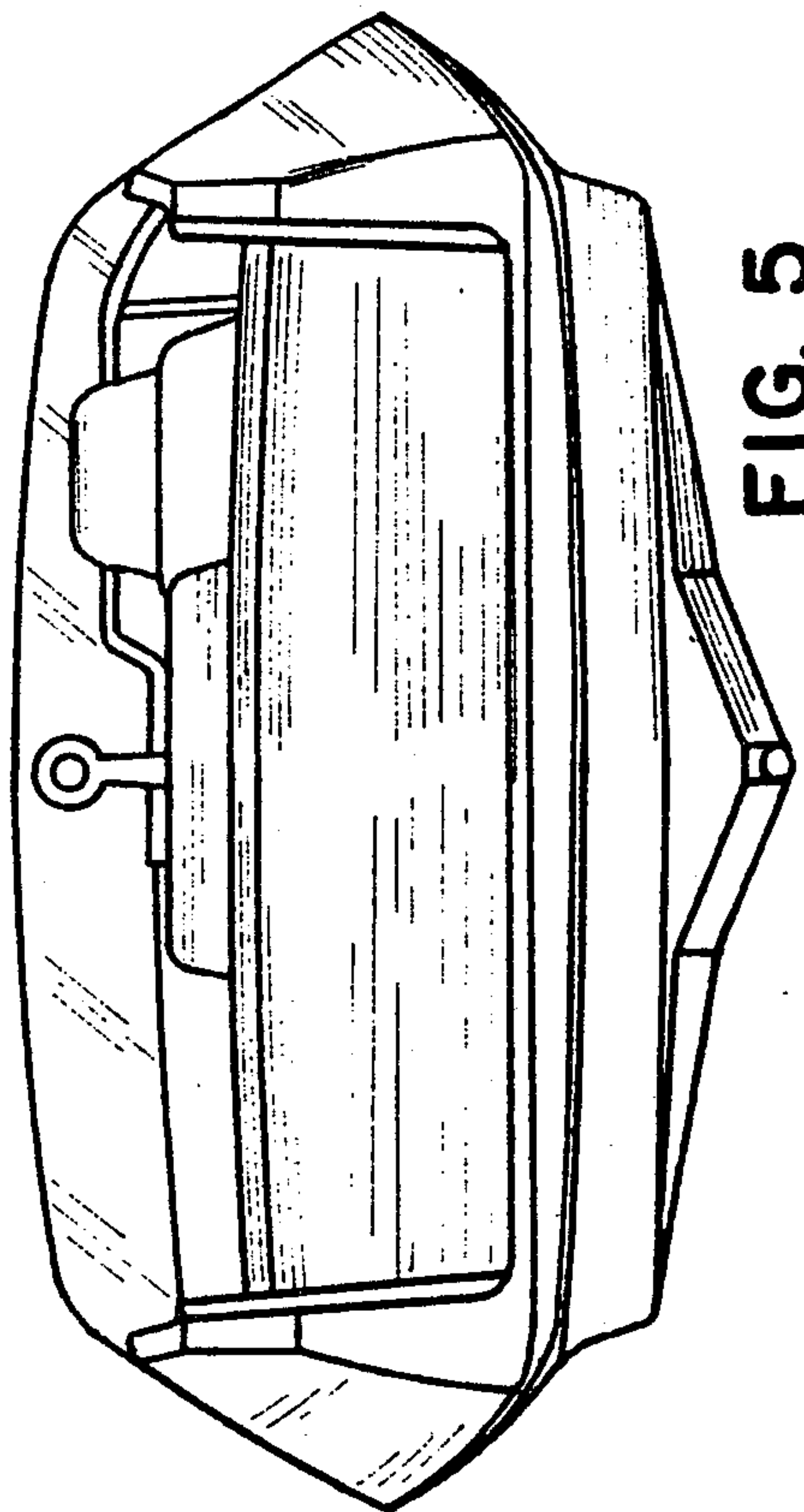
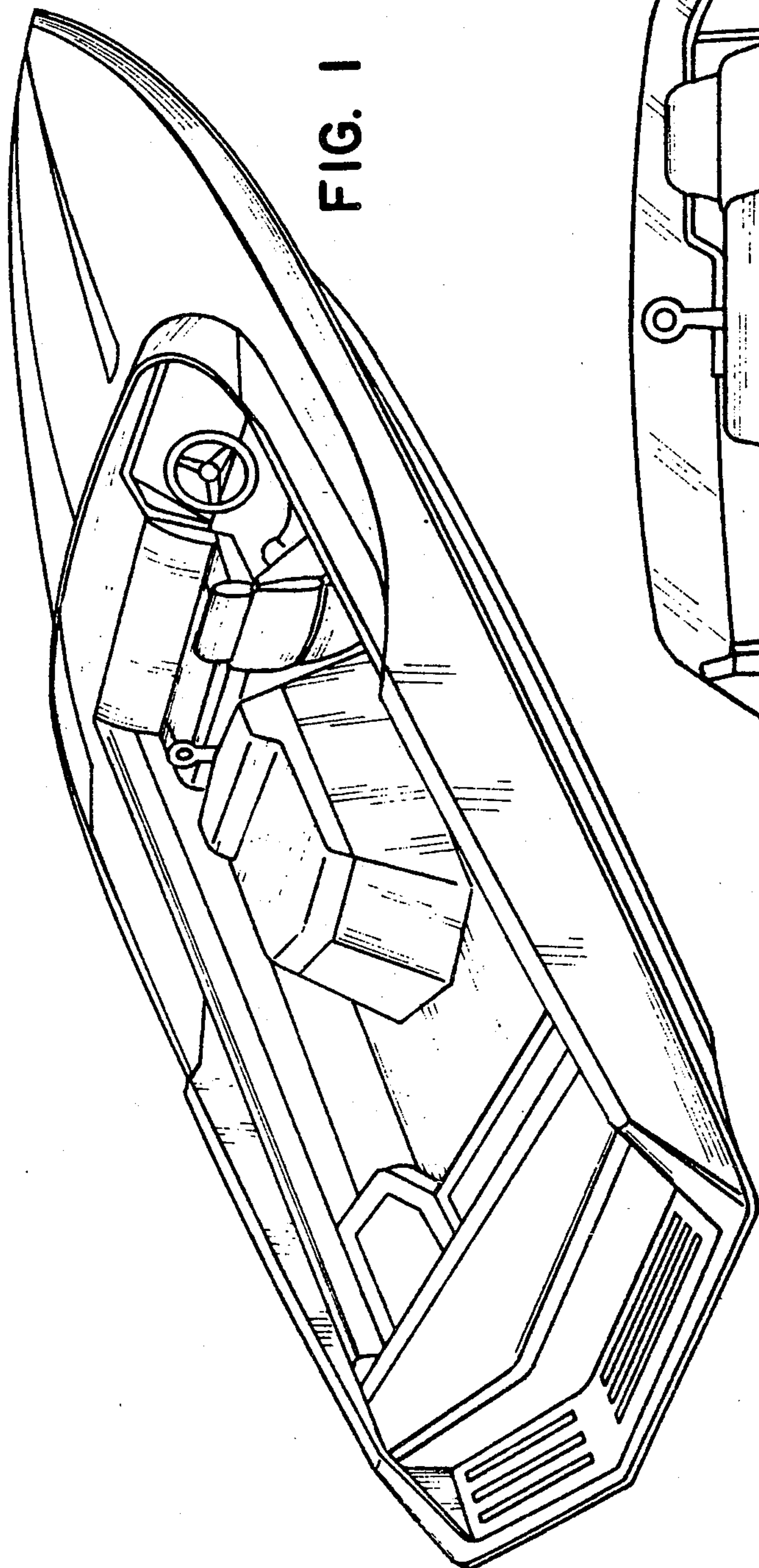
FIG. 4 is a bow elevational view thereof;

FIG. 5 is a stern elevational view thereof; and

FIG. 6 is a bottom plan view thereof.

The port side elevation is symmetrical to the starboard side elevation.





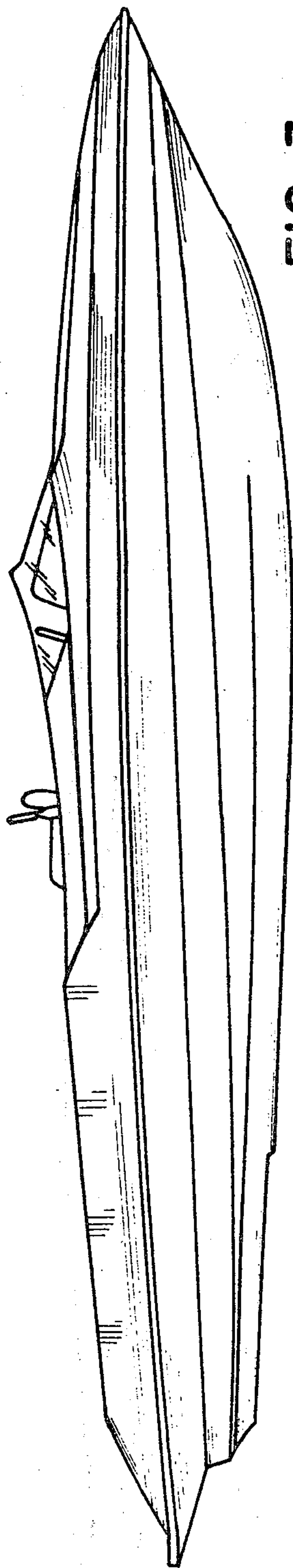


FIG. 3

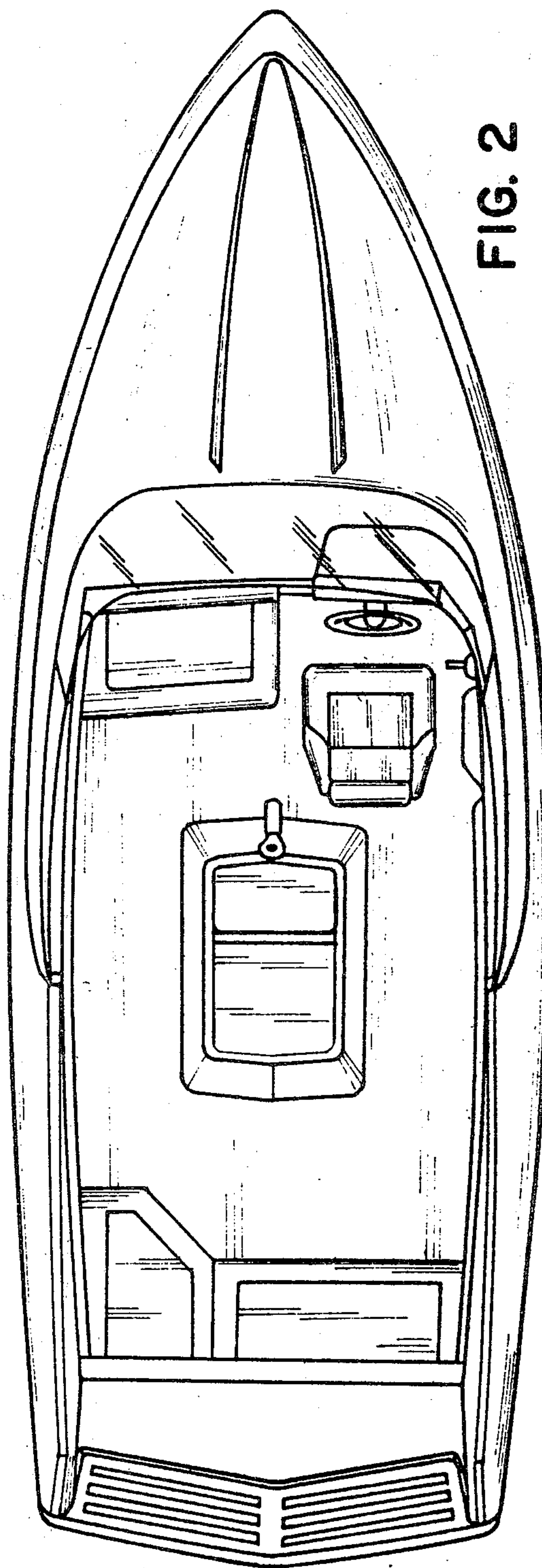


FIG. 2

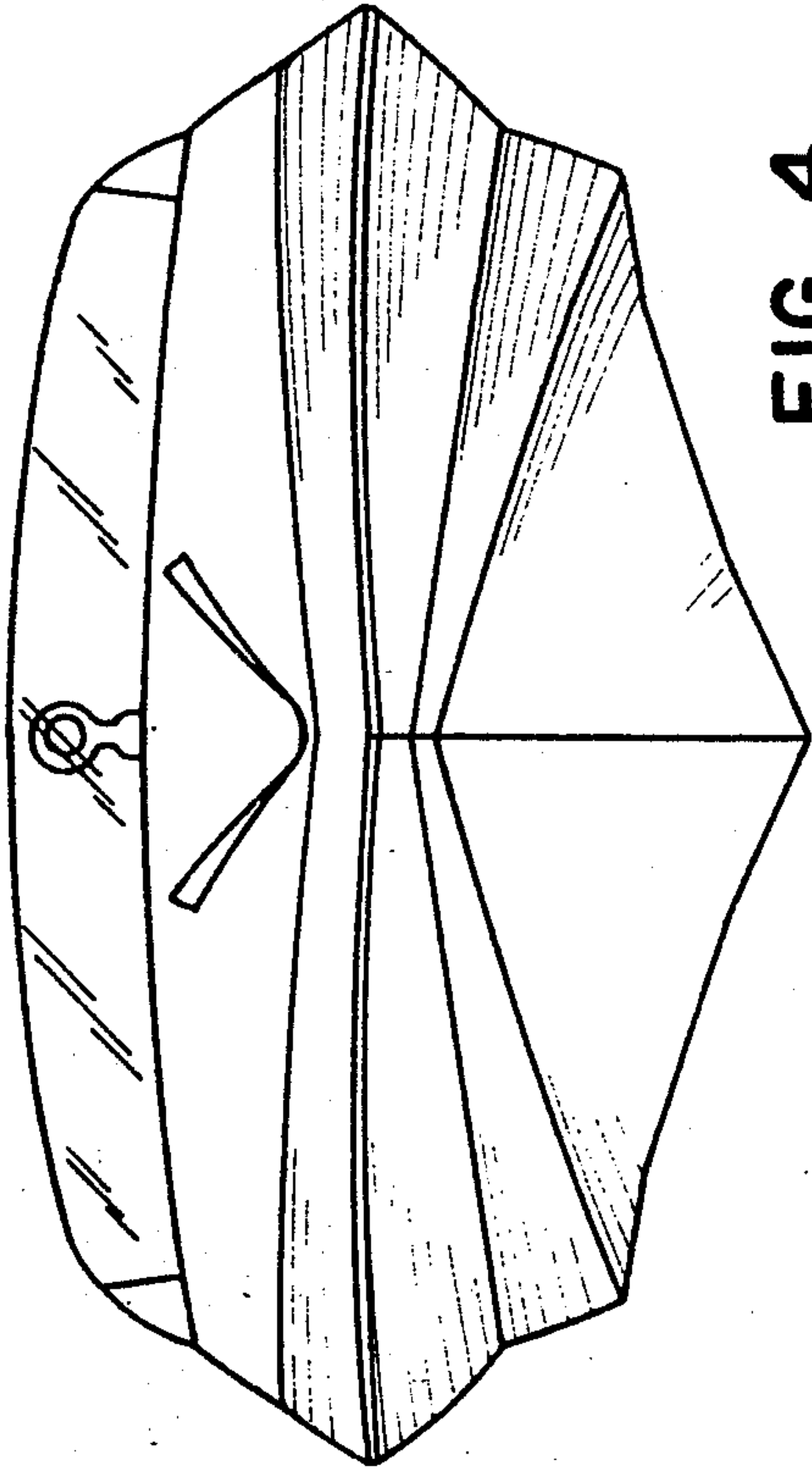


FIG. 4

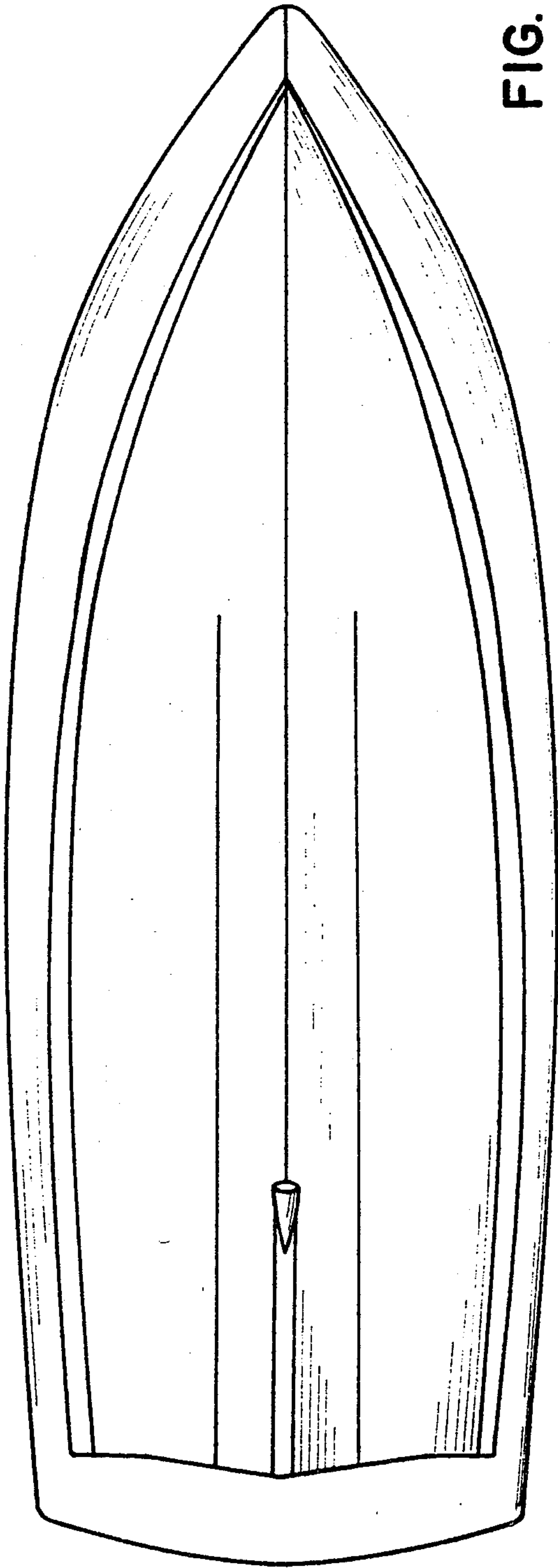


FIG. 6