

[54] COMBINED MOTORCYCLE FAIRING AND REAR VIEW MIRROR DIRECTION INDICATOR UNITS

[75] Inventor: Karl H. Abe, Steinebach/Wörthsee, Fed. Rep. of Germany

[73] Assignee: Bayerische Motoren Werke AG, Patentabteilung, Fed. Rep. of Germany

[**] Term: 14 Years

[21] Appl. No.: 544,374

[22] Filed: Oct. 21, 1983

[30] Foreign Application Priority Data

Apr. 22, 1983 [DE] Fed. Rep. of Germany ... MR 13423

[52] U.S. Cl. D12/182

[58] Field of Search D12/182; 296/78.1; 280/289 S

[56] References Cited

PUBLICATIONS

Cycle World, 11/76, p. 29, BMW R100RS Fairing, top of page.

Cycle World, 4/82, p. 37 Honda Fairing, bottom right side of page.

Cycle World, 4/82, p. 69, Honda Fairing, center of page.

Cycle World, 2/82, p. 61, Suzuki Fairing, center left side of page.

Road & Track, 10/82, p. 103, Front Grille of BMW 635csu, top left side of page.

Primary Examiner—James M. Gandy

Attorney, Agent, or Firm—Craig and Burns

[57] CLAIM

The ornamental design for a combined motorcycle fairing and rear view mirror direction indicator units, as shown and described.

DESCRIPTION

FIG. 1 is a perspective view from one side of the front and above of the combined motorcycle fairing and rear view mirror direction indicator units embodying my novel design;

FIG. 2 is a front elevation view thereof;

FIG. 3 is an elevation view from one side thereof;

FIG. 4 is an elevation view from the other side thereof;

FIG. 5 is a rear elevation view thereof;

FIG. 6 is a top plan view thereof; and

FIG. 7 is a bottom plan view thereof.

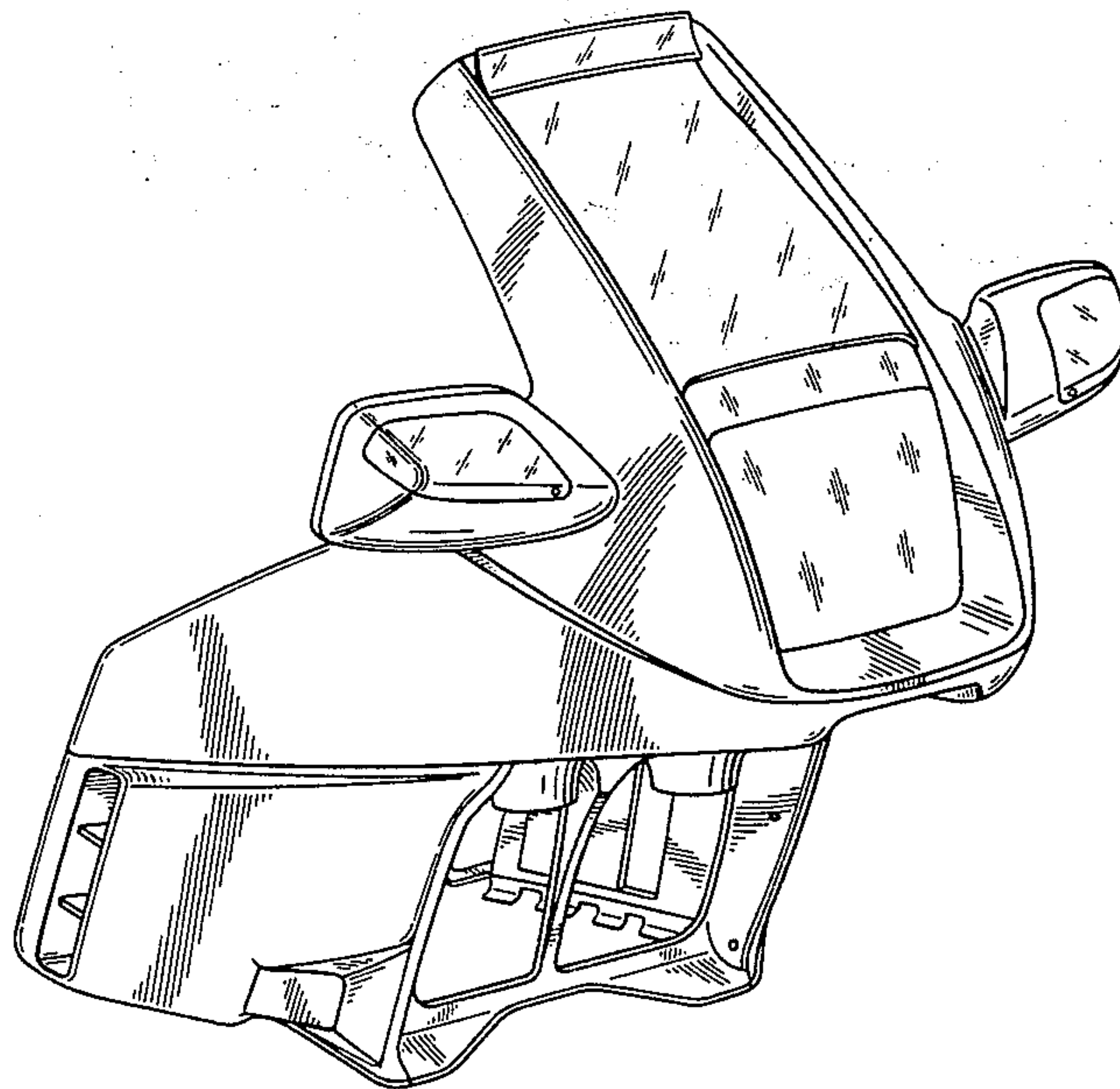


Fig. 1

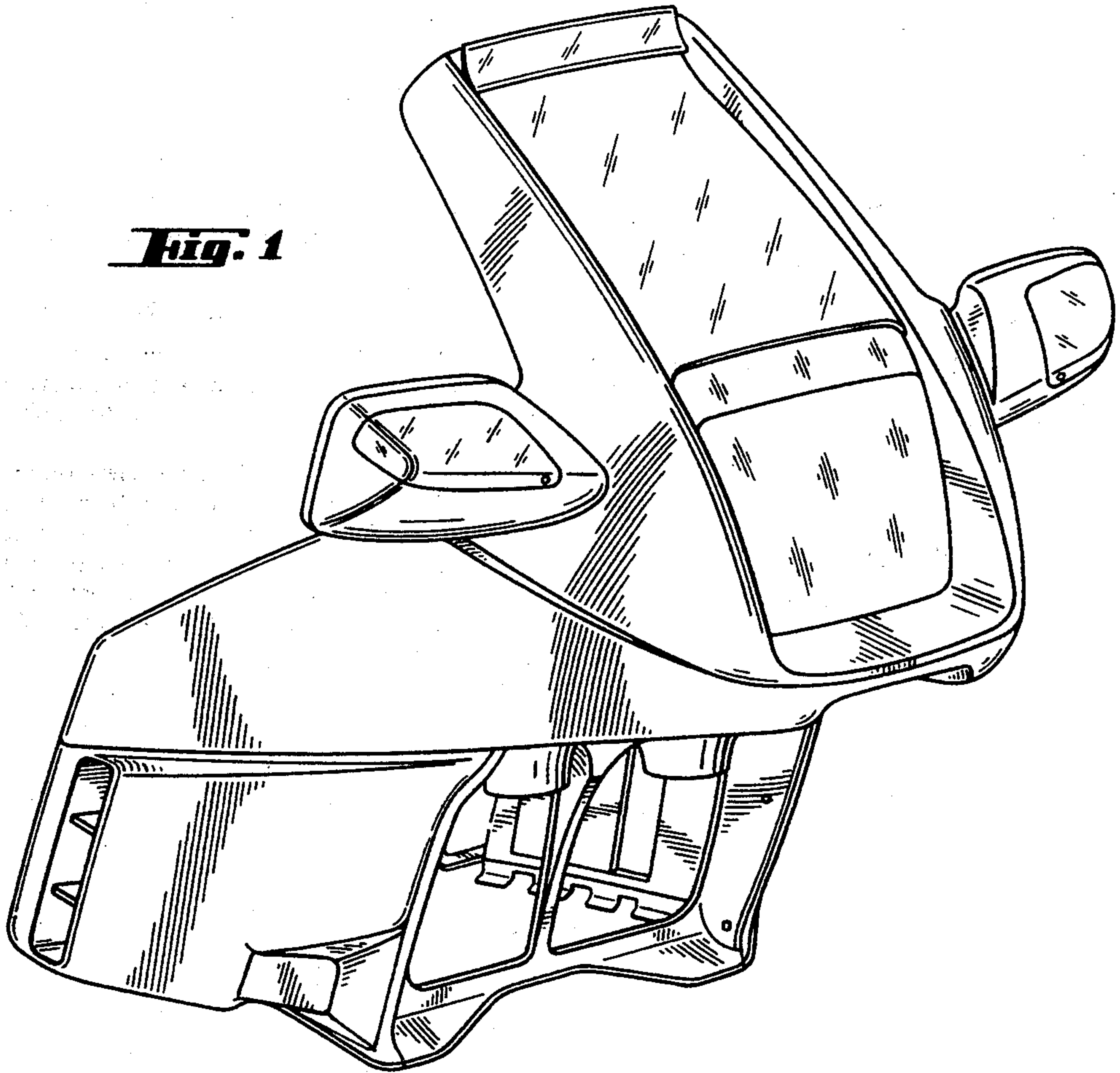


Fig. 2

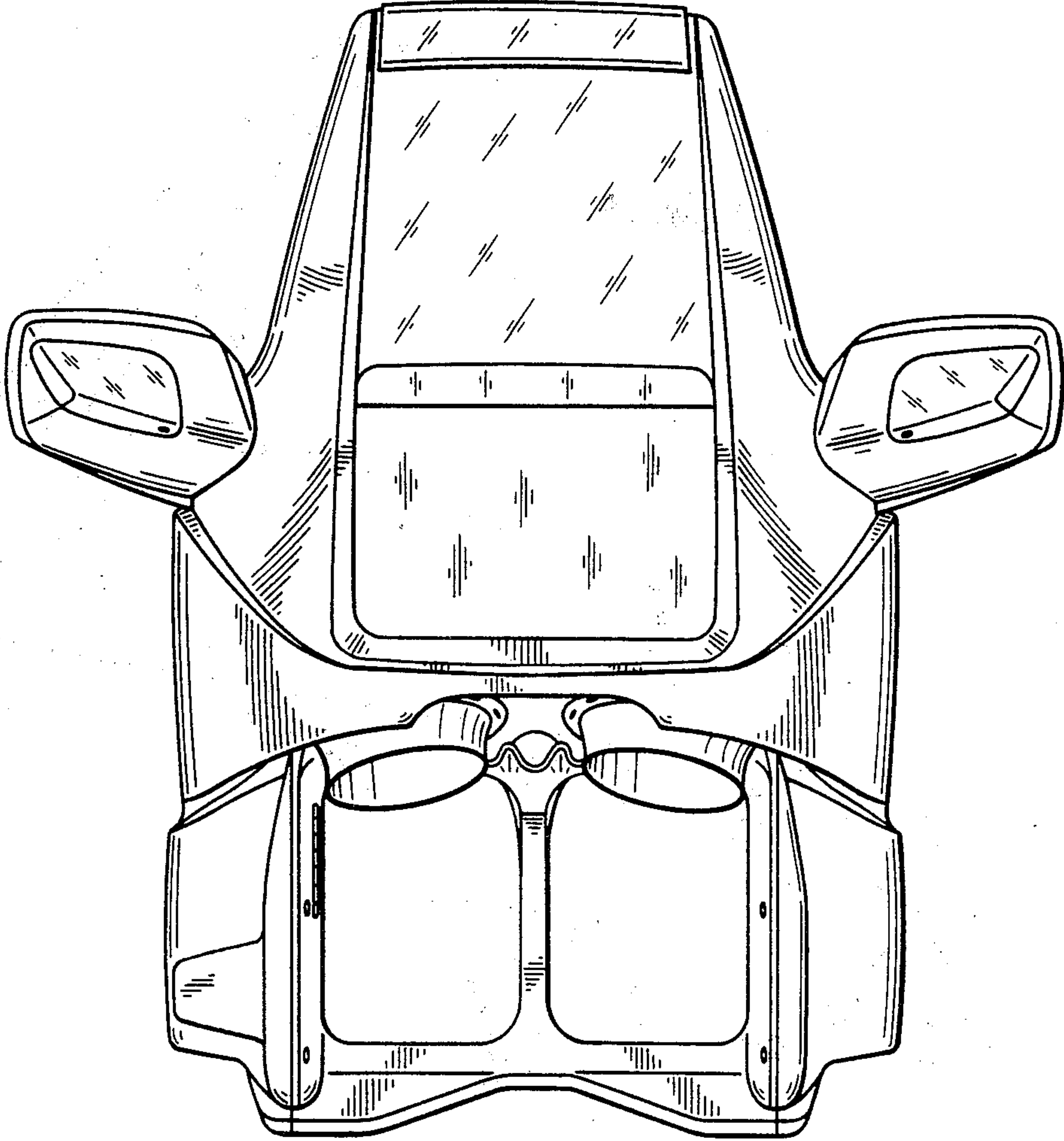
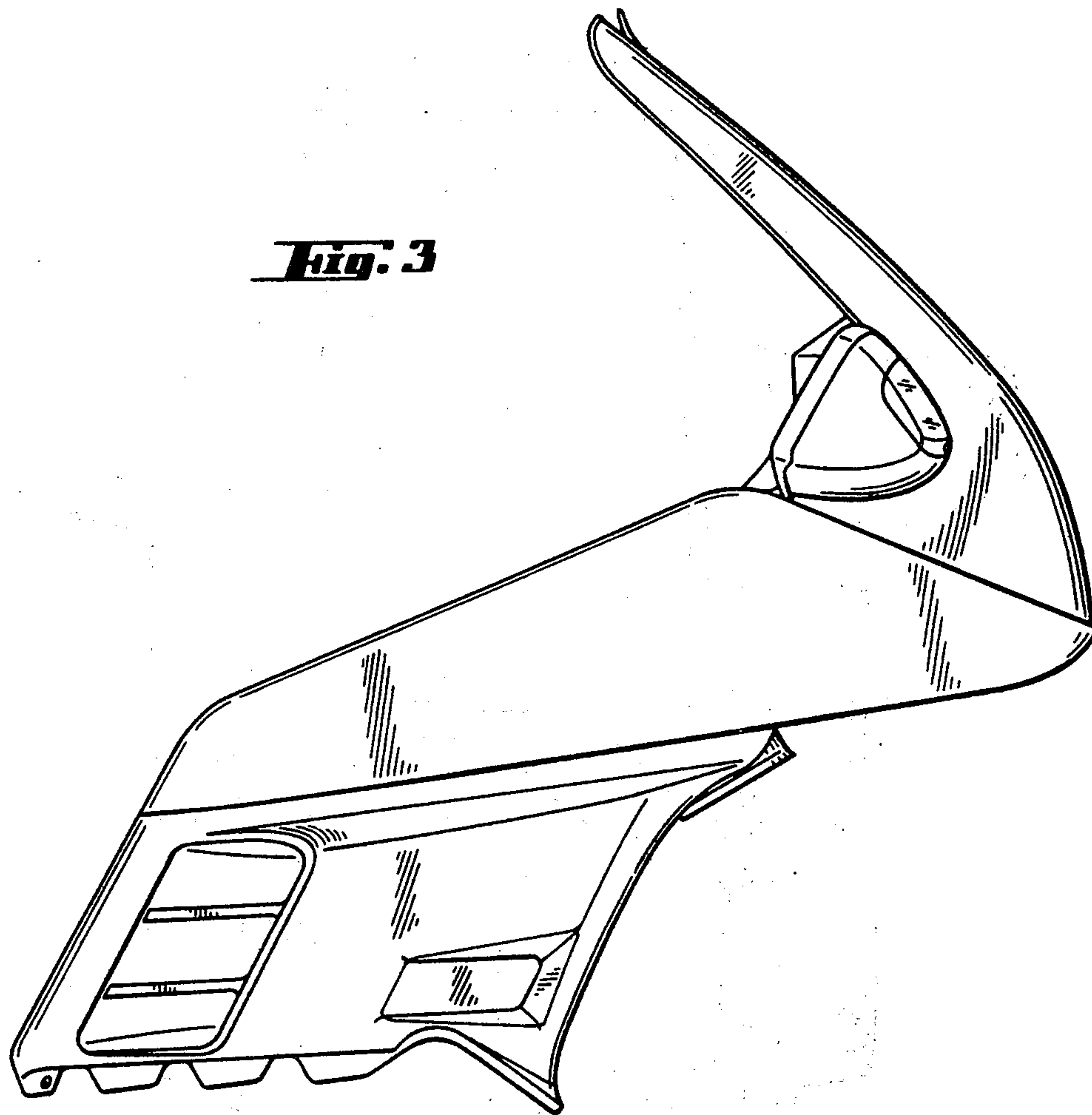


Fig. 3



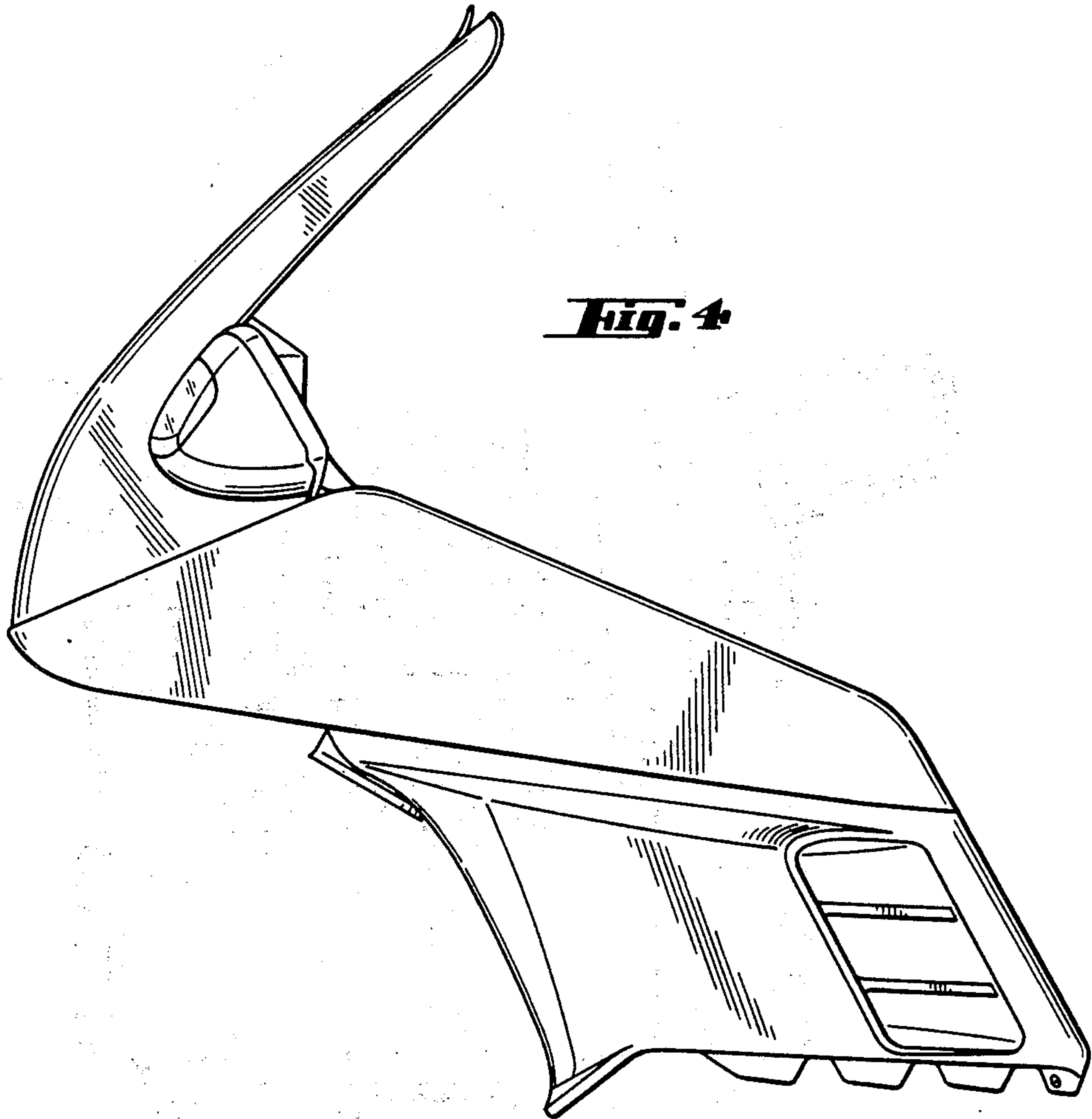


Fig. 5

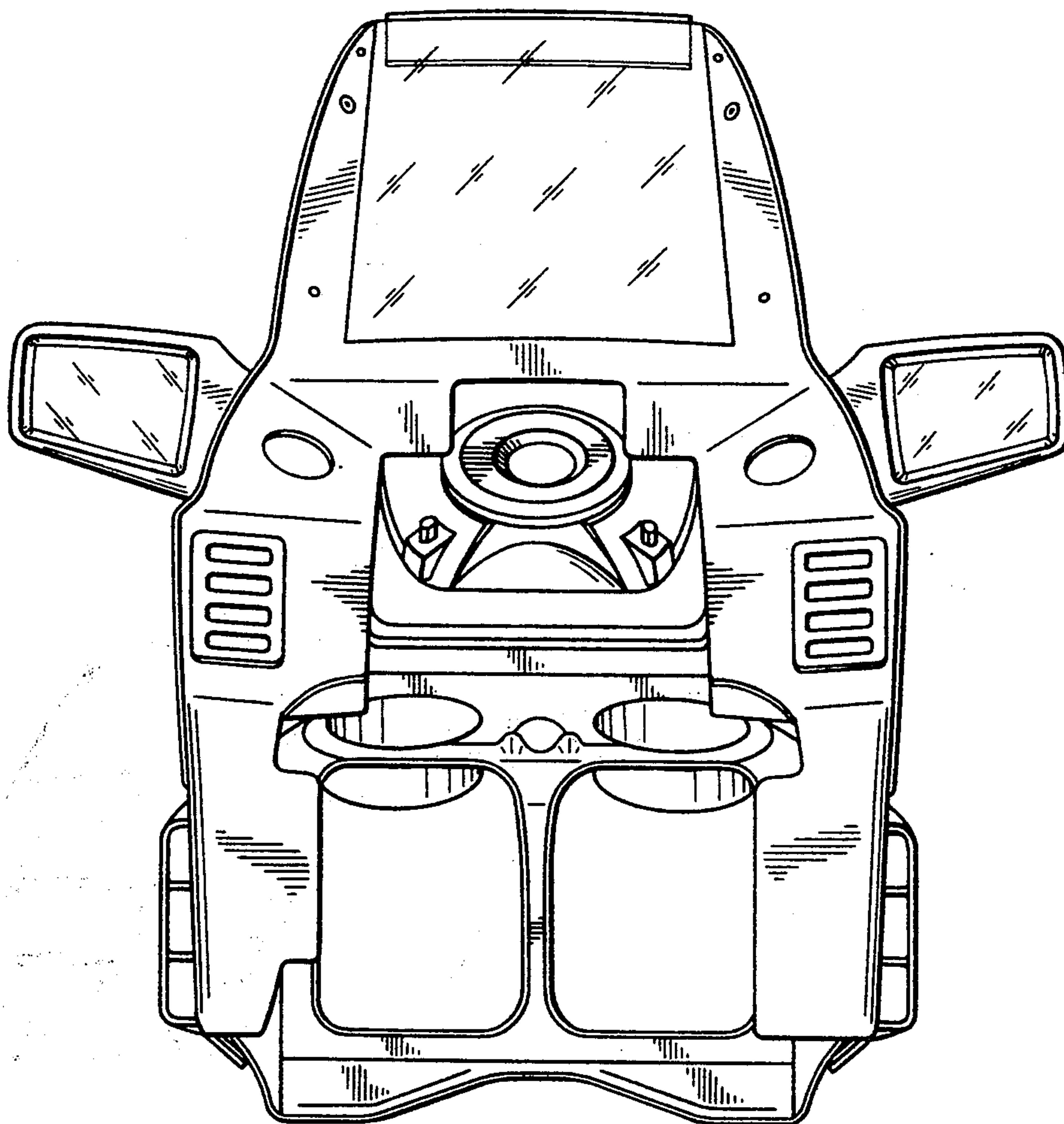


Fig. 6

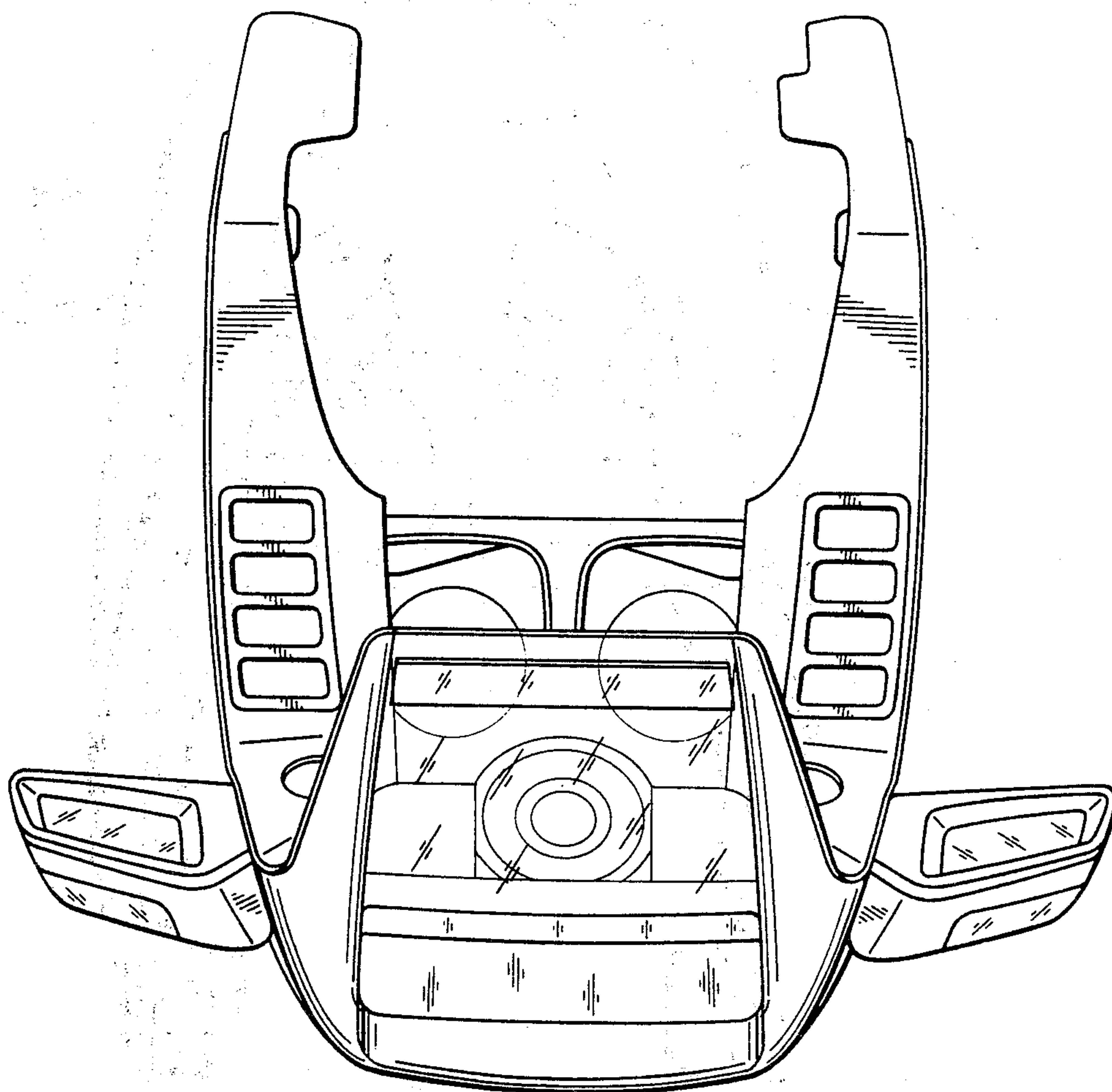


Fig. 7

