

[54] **CABLE TOOL**

[75] **Inventor: Zdzislaw Bieganski, Harpenden,
Great Britain**

[73] **Assignee: ABECO Limited, Woburn, England**

[**] **Term: 14 Years**

[21] **Appl. No.: 504,140**

[22] **Filed: Jun. 14, 1983**

[30] **Foreign Application Priority Data**

Dec. 15, 1982 [GB] United Kingdom 821010330
[52] **U.S. Cl.** **D8/99**
[58] **Field of Search** **D8/14, 32, 44, 51, 52,
D8/55-57, 60, 98, 99, 104-107; 81/9.3, 9.4,
9.41-9.44, 423, 427, 427.5, 367-380; 30/90.1,
90.2, 90.4, 91.1, 91.2, 175; 72/409, 416; 7/107**

[56]

References Cited

U.S. PATENT DOCUMENTS

3,978,582 9/1976 Maytham 81/9.44 X
4,179,804 12/1979 Maytham 30/90.1 X

FOREIGN PATENT DOCUMENTS

440613 2/1927 Fed. Rep. of Germany 72/416
2932773 3/1980 Fed. Rep. of Germany 30/90.4
1102808 2/1968 United Kingdom 30/90.1

Primary Examiner—Susan J. Lucas
Assistant Examiner—Clare E. Heflin
Attorney, Agent, or Firm—C. O. Marshall, Jr.

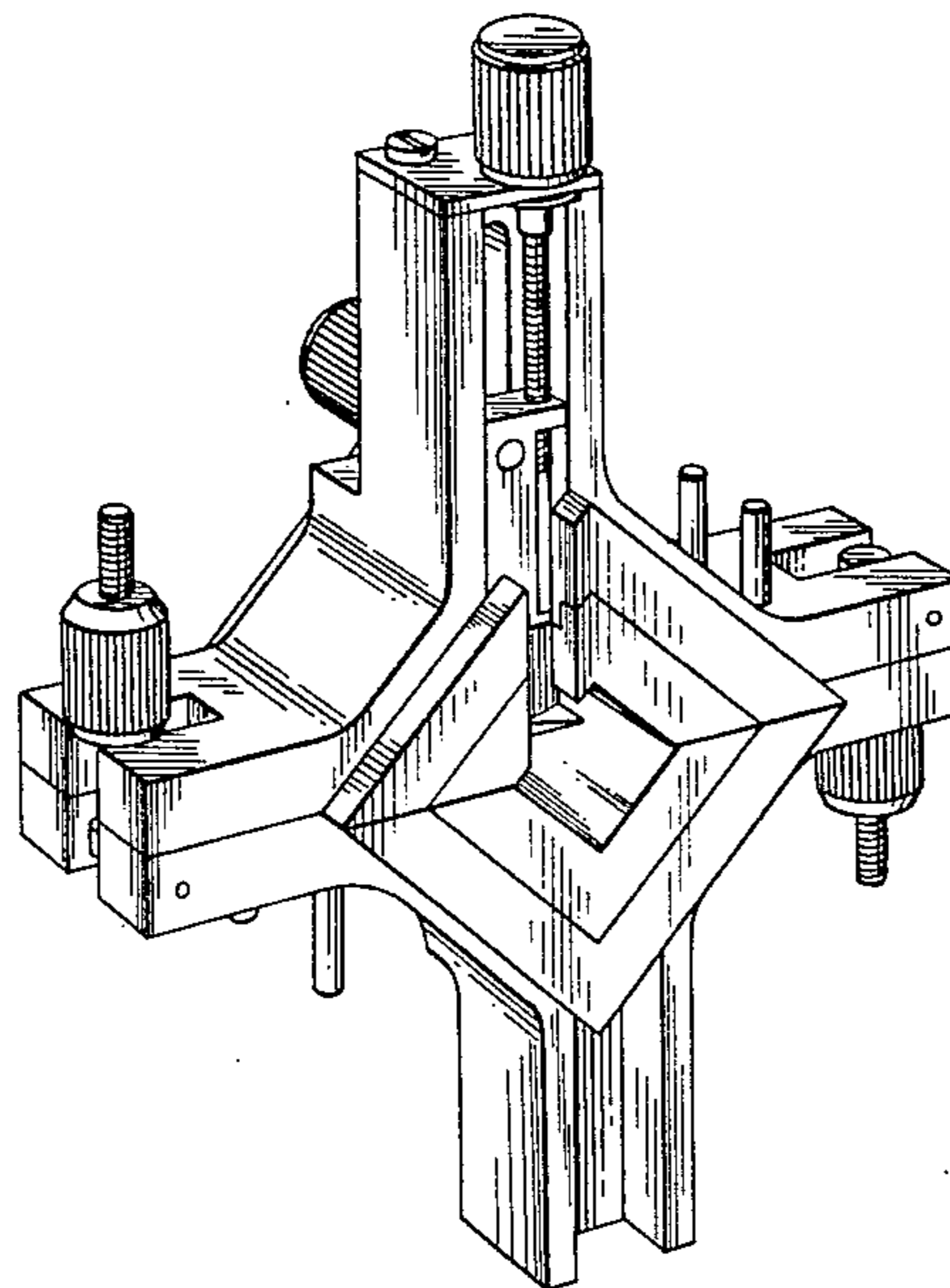
[57]

CLAIM

The ornamental design for a cable tool, as shown.

DESCRIPTION

FIG. 1 is a perspective view of the cable tool showing my new design;
FIG. 2 is a front elevational view thereof;
FIG. 3 is a bottom plan view thereof;
FIG. 4 is a rear elevational view thereof;
FIG. 5 is a right side elevational view thereof.



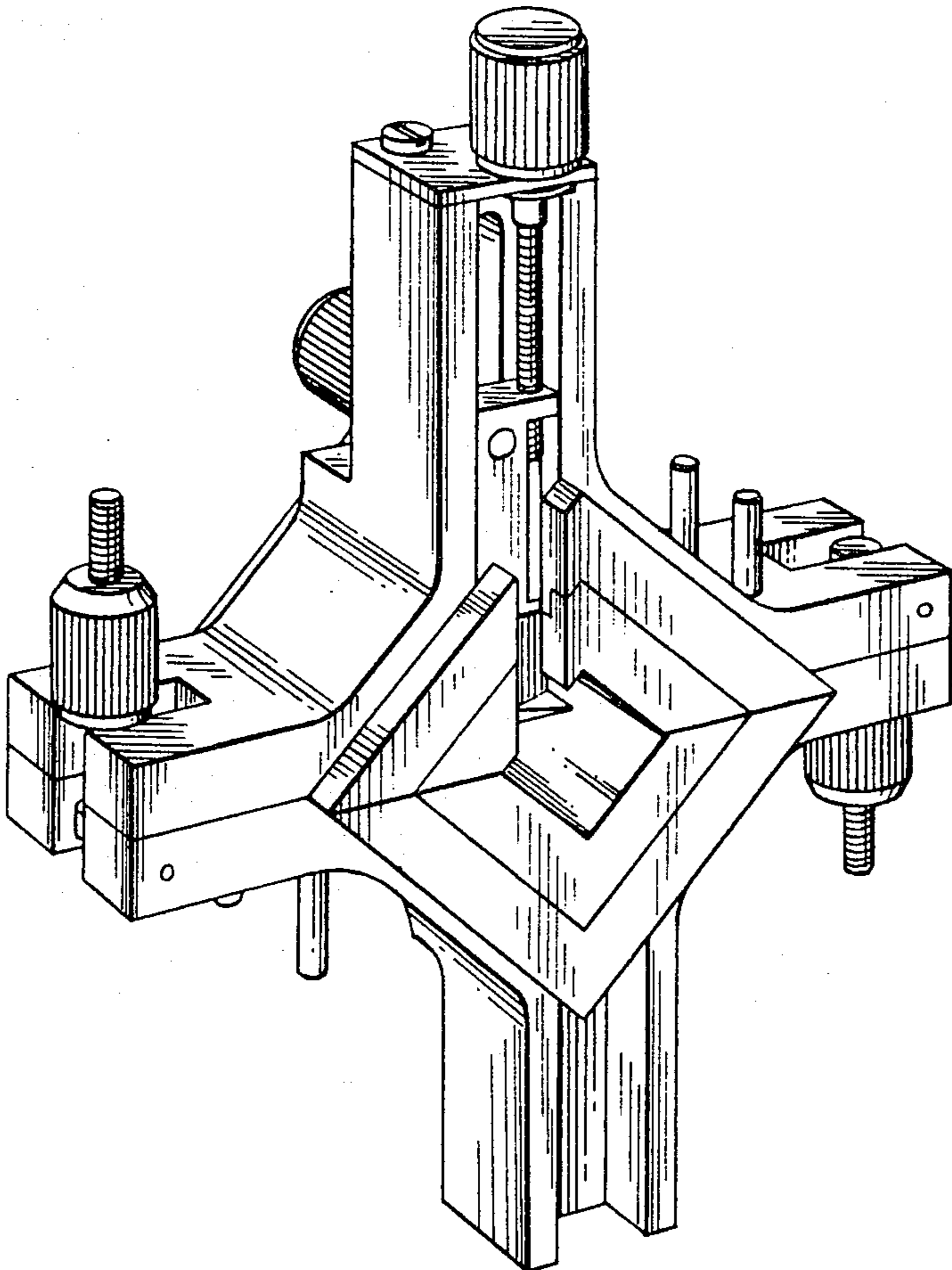


Fig 1

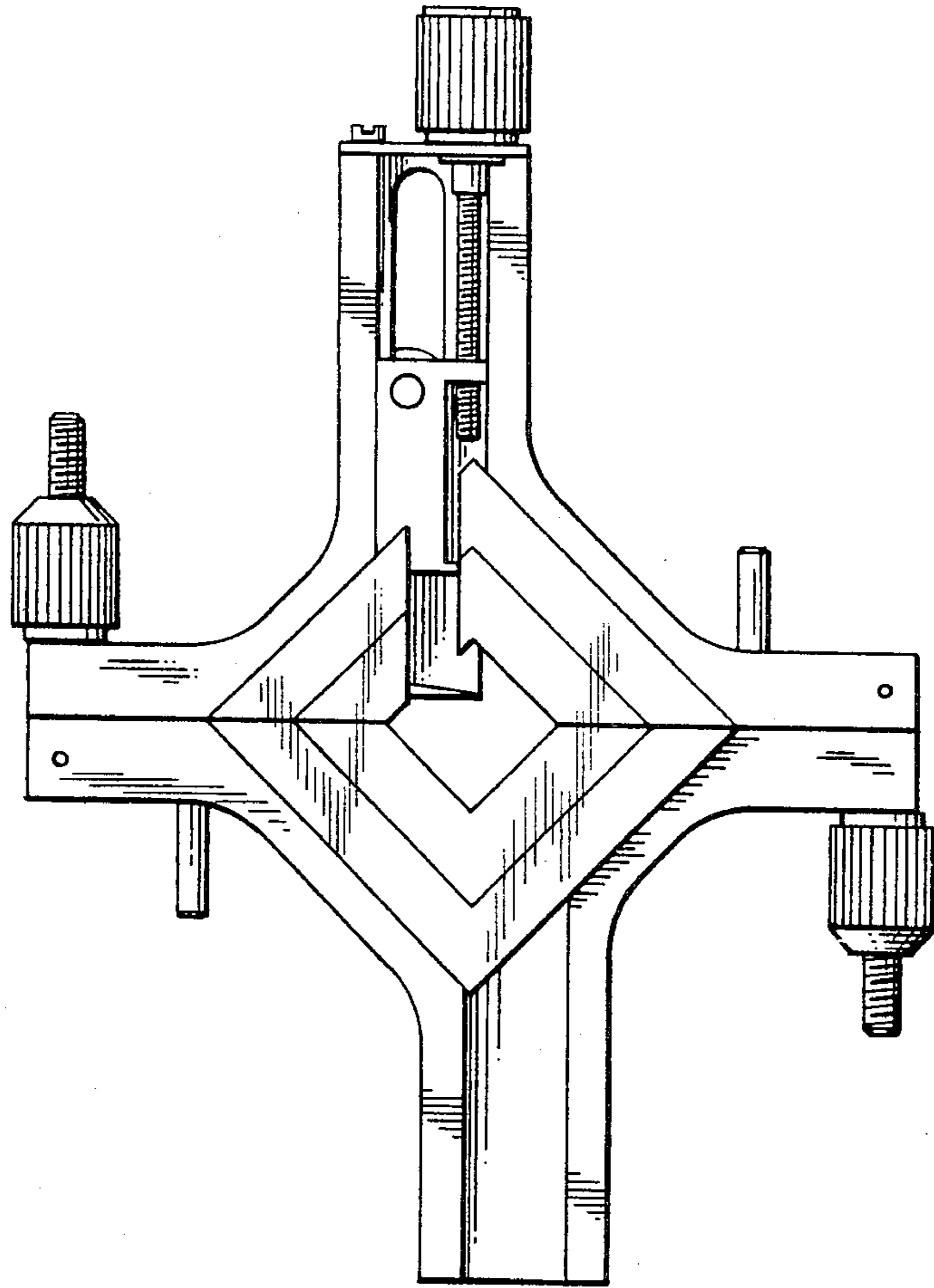


Fig. 2

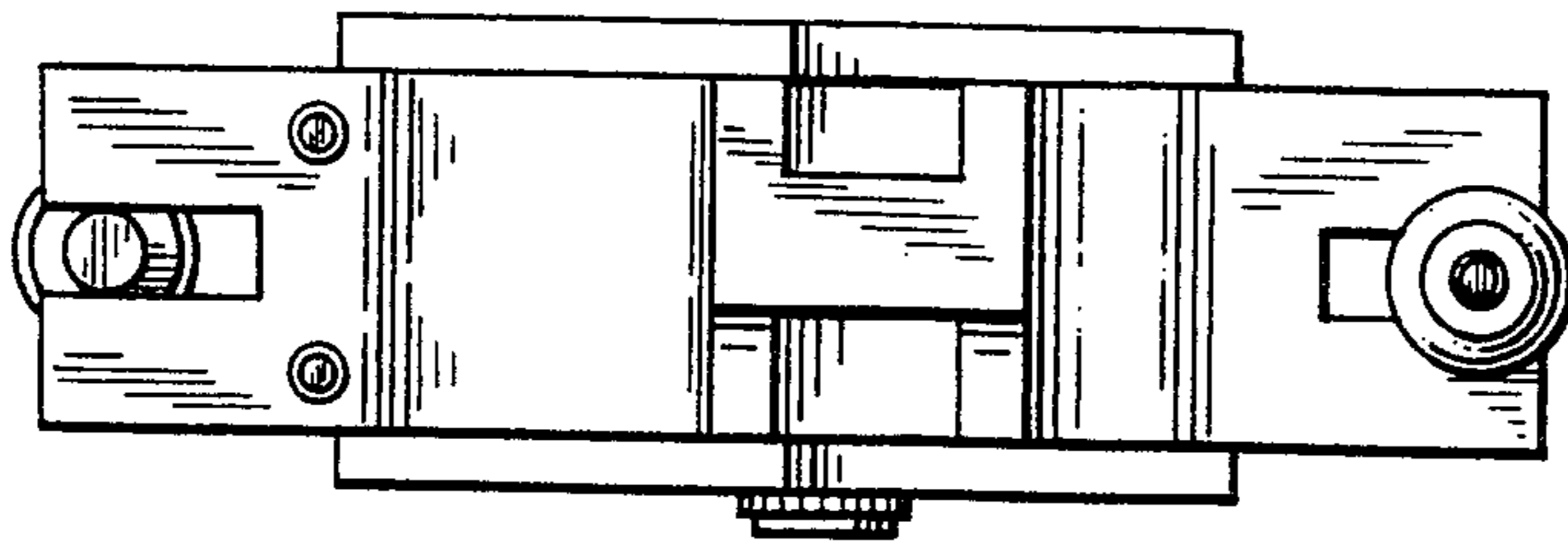


Fig. 3

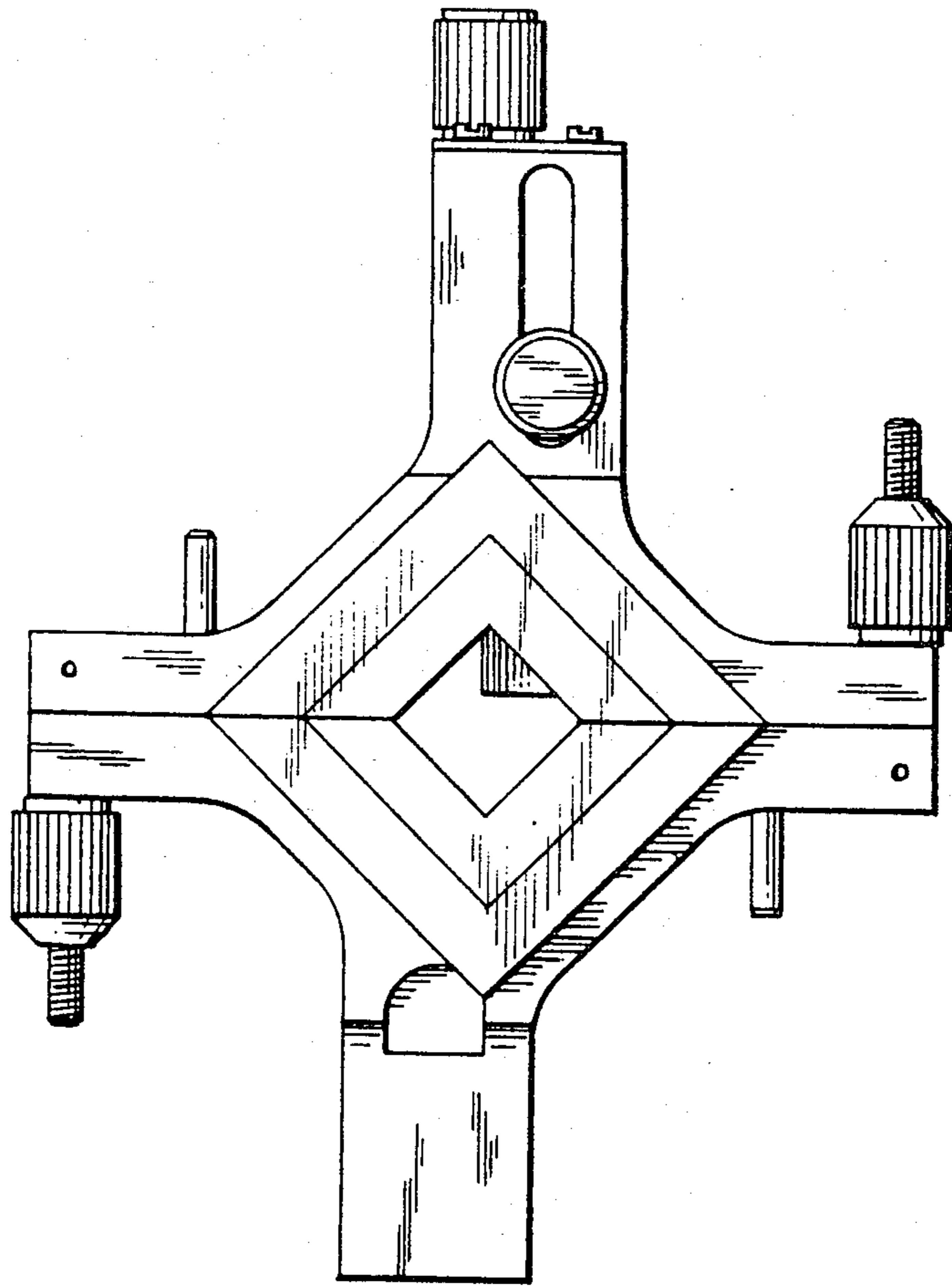


Fig. 4

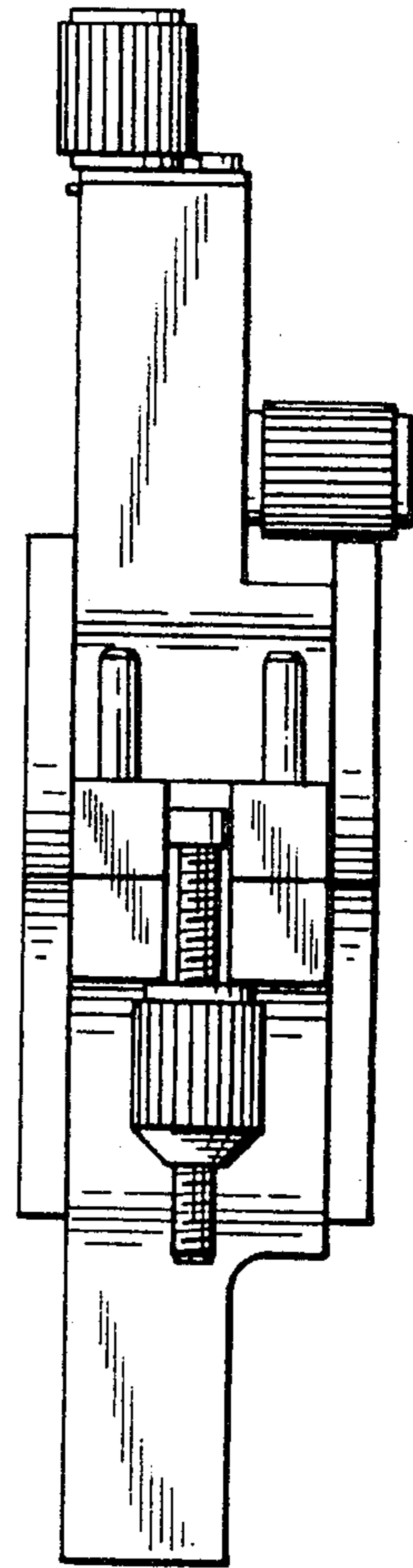


Fig. 5