

United States Patent [19]

Takigawa et al.

[11] Patent Number: **Des. 284,162**

[45] Date of Patent: **** Jun. 10, 1986**

[54] **GRIP SCISSORS**

[75] Inventors: **Shigetsugu Takigawa; Masuhiko Takigawa**, both of Osaka, Japan

[73] Assignee: **Ars Hamono Seizo Kabushikikaisha**, Japan

[**] Term: **14 Years**

[21] Appl. No.: **568,757**

[22] Filed: **Jan. 6, 1984**

[30] **Foreign Application Priority Data**

Jul. 7, 1983 [JP] Japan 58-29861

[52] U.S. Cl. **D8/57**

[58] Field of Search D8/57, 52; 30/254, 253, 30/260

[56] **References Cited**

U.S. PATENT DOCUMENTS

D. 264,018 4/1982 Gingher, Jr. D8/52 X

903,370 11/1908 Frey 30/253

3,772,783 11/1973 Averitt 30/260 X
4,089,113 5/1978 Moritz et al. 30/253

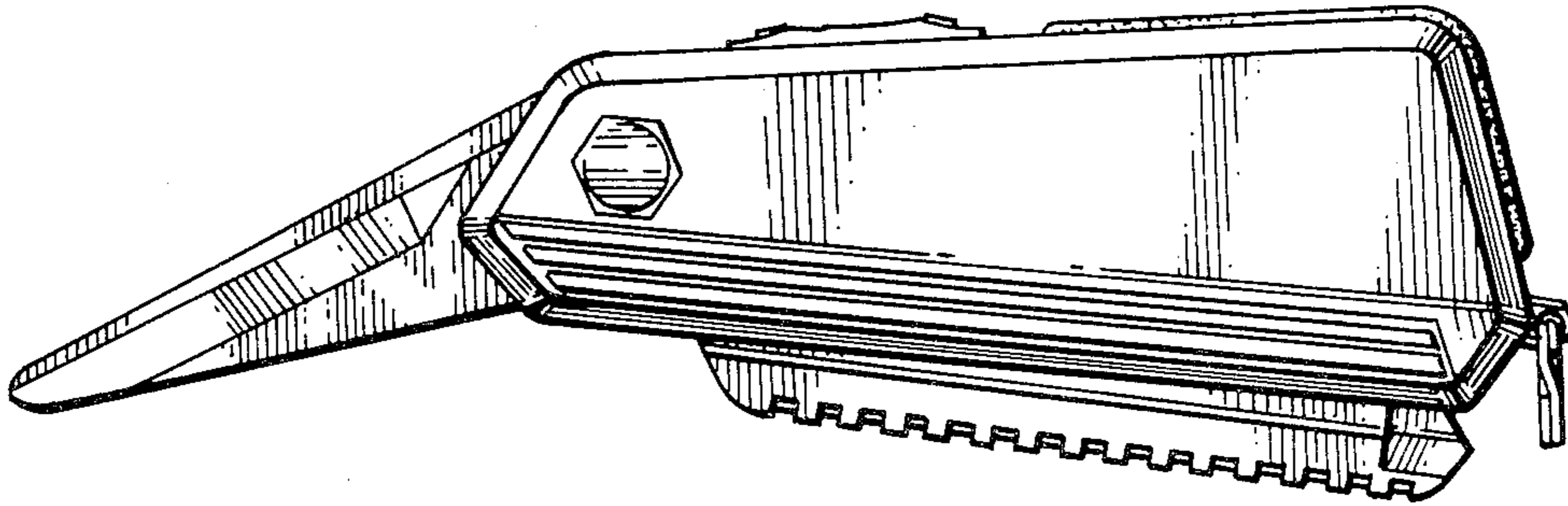
Primary Examiner—Bernard Ansher
Assistant Examiner—Terry Pfeffer
Attorney, Agent, or Firm—Griffin, Branigan, & Butler

[57] **CLAIM**

The ornamental design for grip scissors, as shown and described.

DESCRIPTION

FIG. 1 is a front elevation of the grip scissors showing our new design with the blades in a closed position; FIG. 2 is a rear elevation thereof; FIG. 3 is a left side elevation thereof; FIG. 4 is a right side elevation thereof; FIG. 5 is a top plan view thereof; FIG. 6 is a bottom plan view thereof; FIG. 7 is a front elevation thereof with the blades in an open position; FIG. 8 is a top plan view of that shown in FIG. 7; and FIG. 9 is a right side elevation of that shown in FIG. 7.



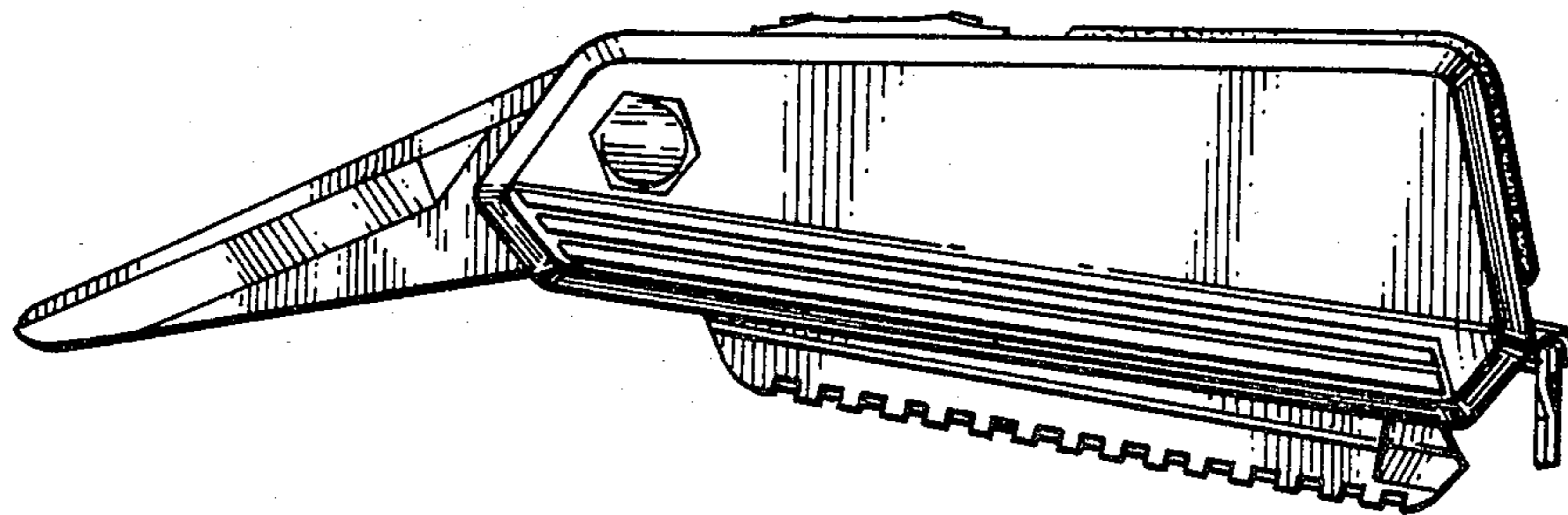


FIG. 1

FIG. 2

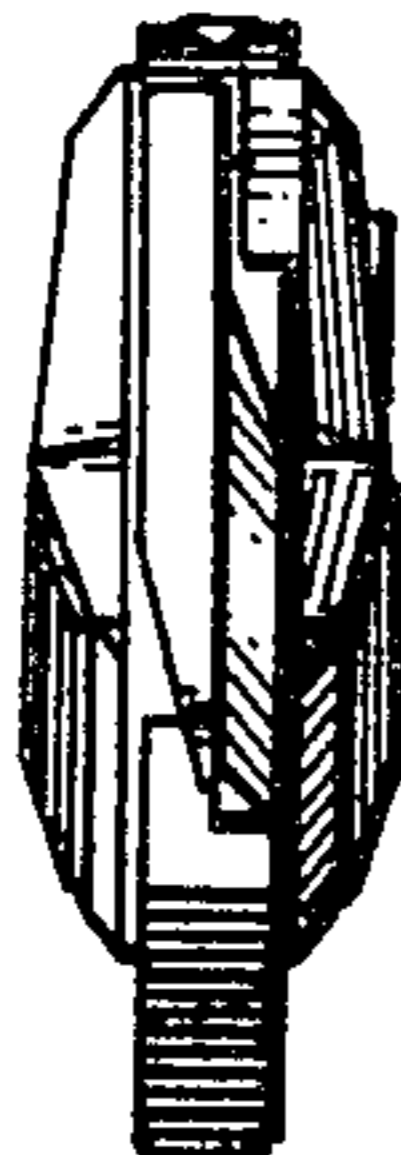
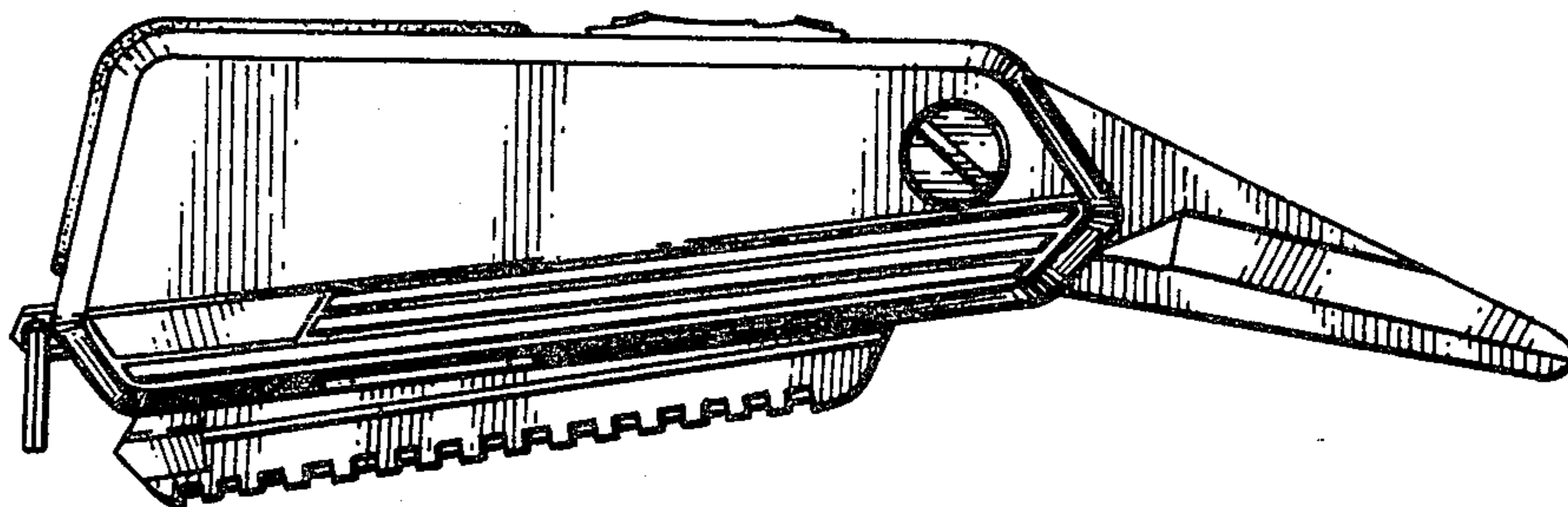


FIG. 3

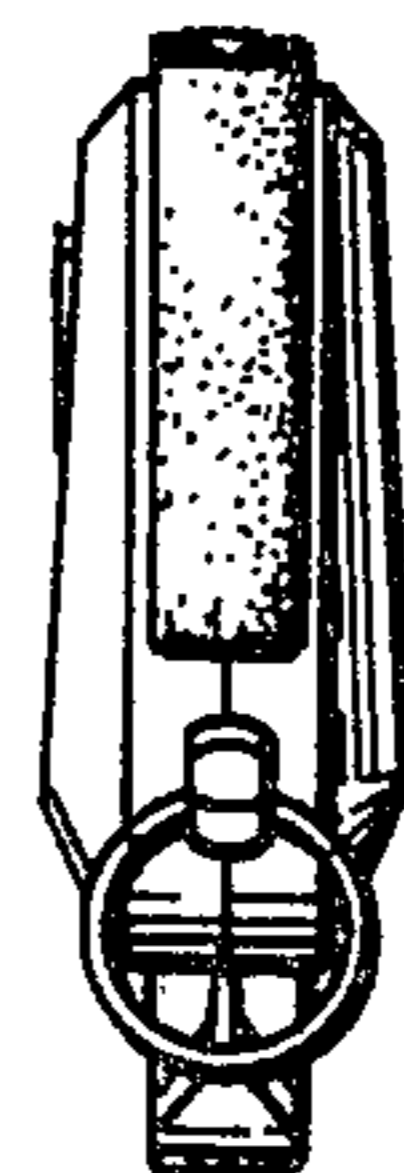


FIG. 4

