

[54] BEVERAGE DISPENSER

[75] Inventors: Samuel C. Crosby, Stone Mountain; William J. Saunders, Atlanta, both of Ga.; Richard T. Kennedy, Palos Heights, Ill.

[73] Assignee: The Coca-Cola Company, Atlanta, Ga.

[**] Term: 14 Years

[21] Appl. No.: 552,387

[22] Filed: Nov. 16, 1983

[52] U.S. Cl. D7/311; D7/308

[58] Field of Search D7/305-309, D7/311, 312, 300; 222/129.1-129.4, 144.5, 181, 185

[56] References Cited

U.S. PATENT DOCUMENTS

D. 206,519 12/1966 Wolfe D7/308

D. 261,390 10/1981 Harvill D7/307
D. 269,516 6/1983 Kiser D7/308
3,531,019 9/1970 Rodgers 222/129.4
3,853,244 12/1974 Neumann 222/129.1

Primary Examiner—Bernard Ansher

Assistant Examiner—Terry Pfeffer

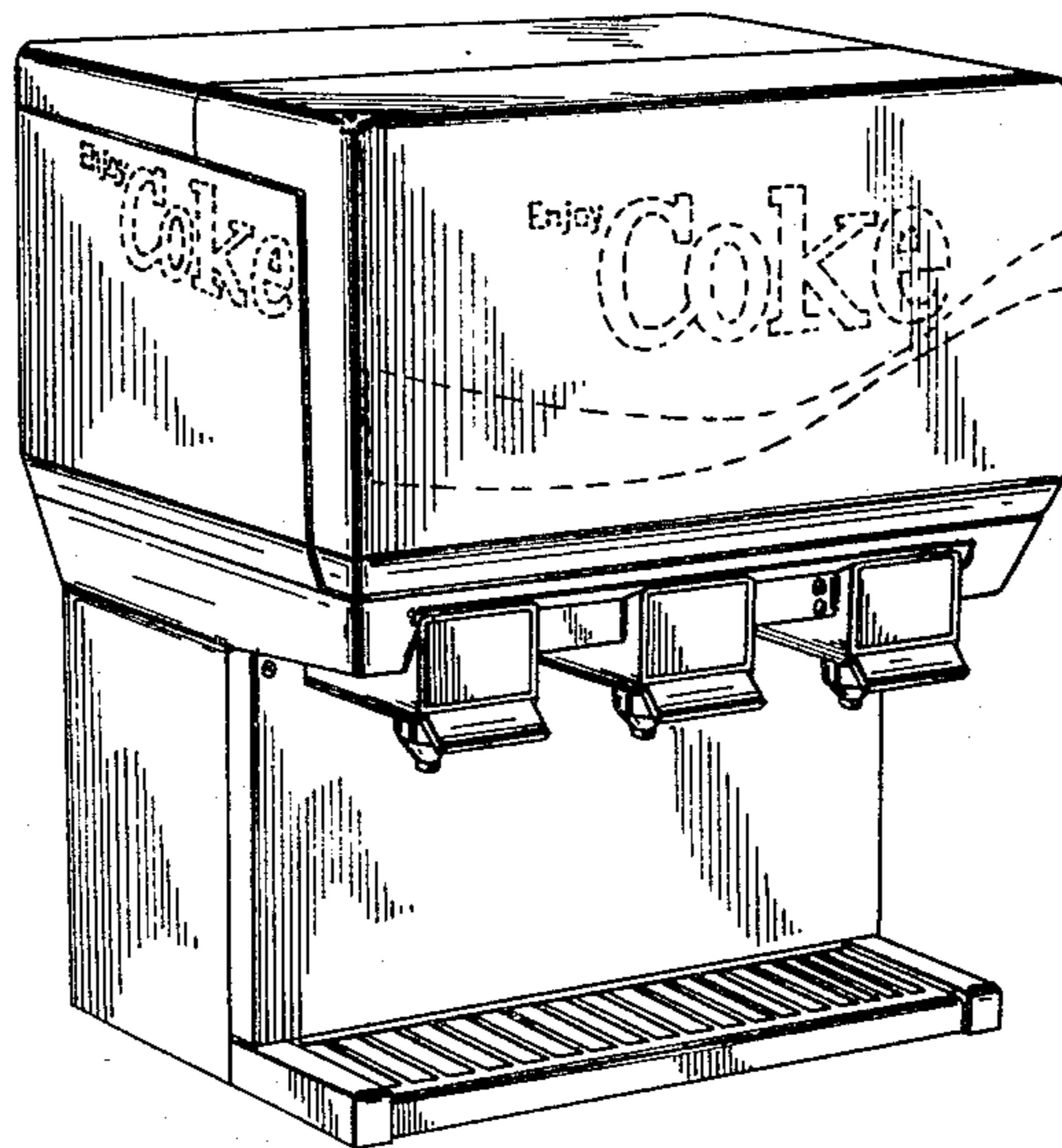
Attorney, Agent, or Firm—Birch, Stewart, Kolasch & Birch

[57] CLAIM

The ornamental design for a beverage dispenser, as shown and described.

DESCRIPTION

FIG. 1 is a top, front, left side perspective view of a beverage dispenser showing our new design; FIG. 2 is a left side elevation thereof; FIG. 3 is a right side elevation thereof; FIG. 4 is a rear elevation thereof; FIG. 5 is a top plan view thereof; and FIG. 6 is a bottom plan view thereof.



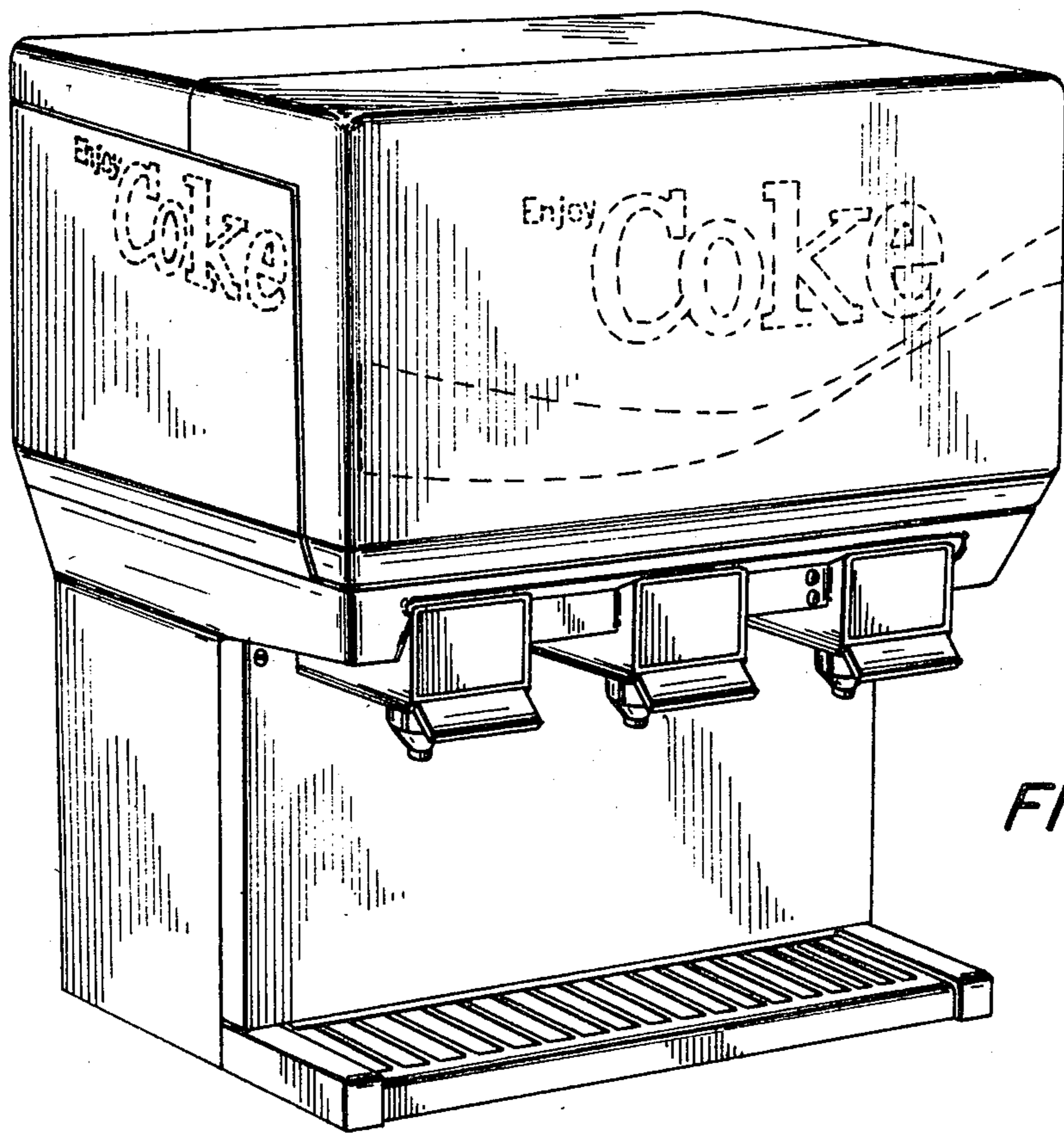


FIG. 1

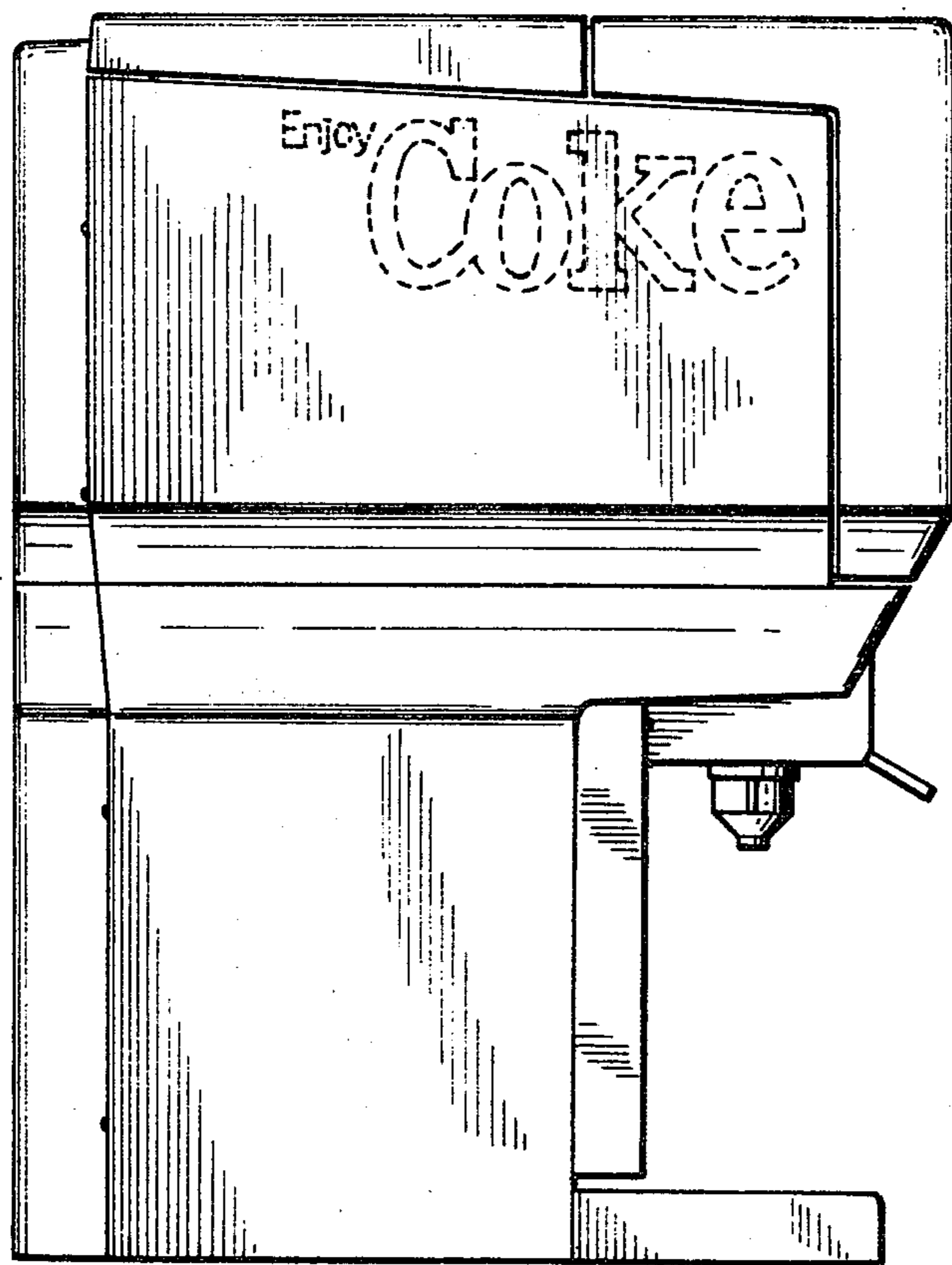


FIG. 2

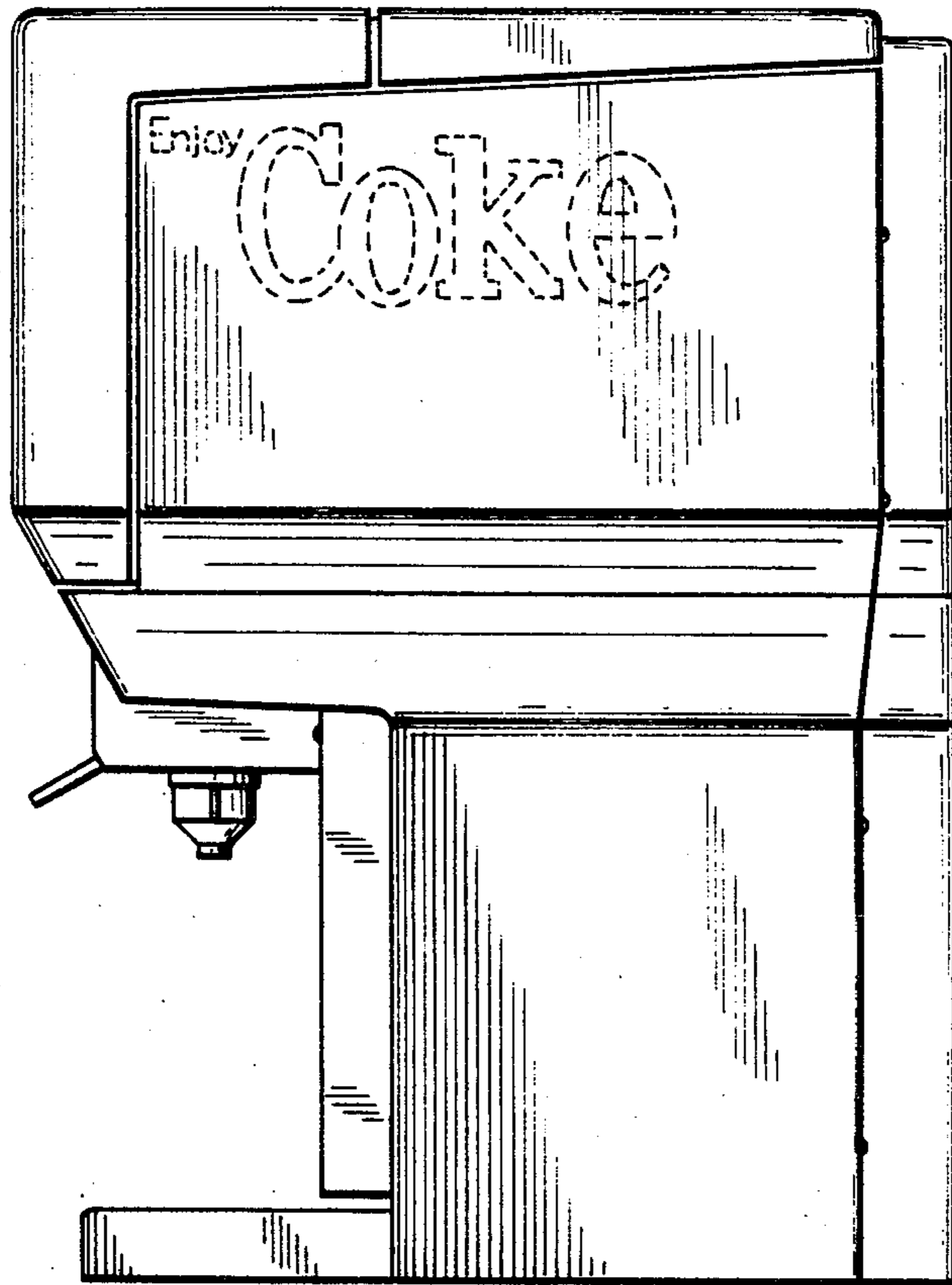


FIG. 3

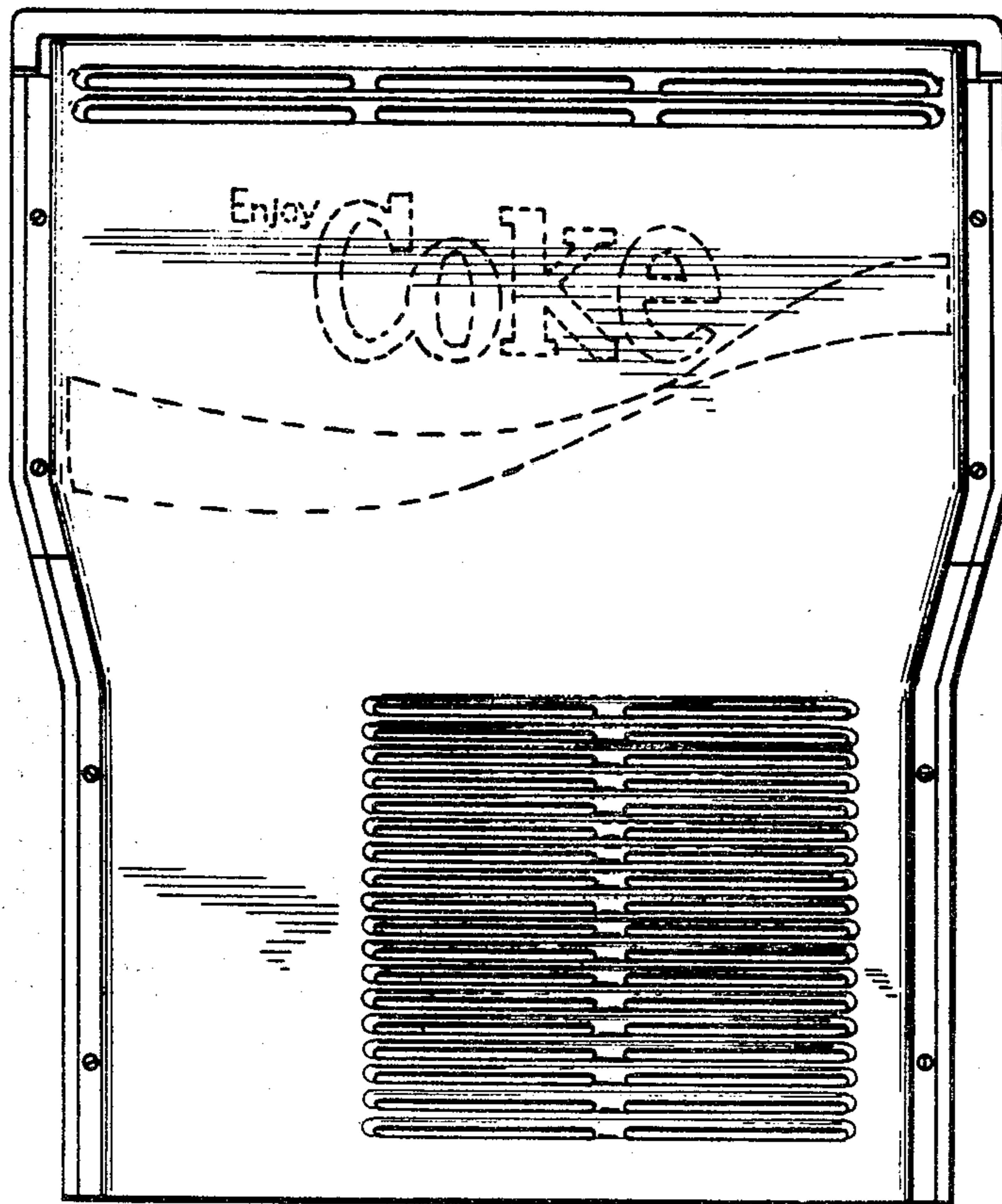


FIG. 4

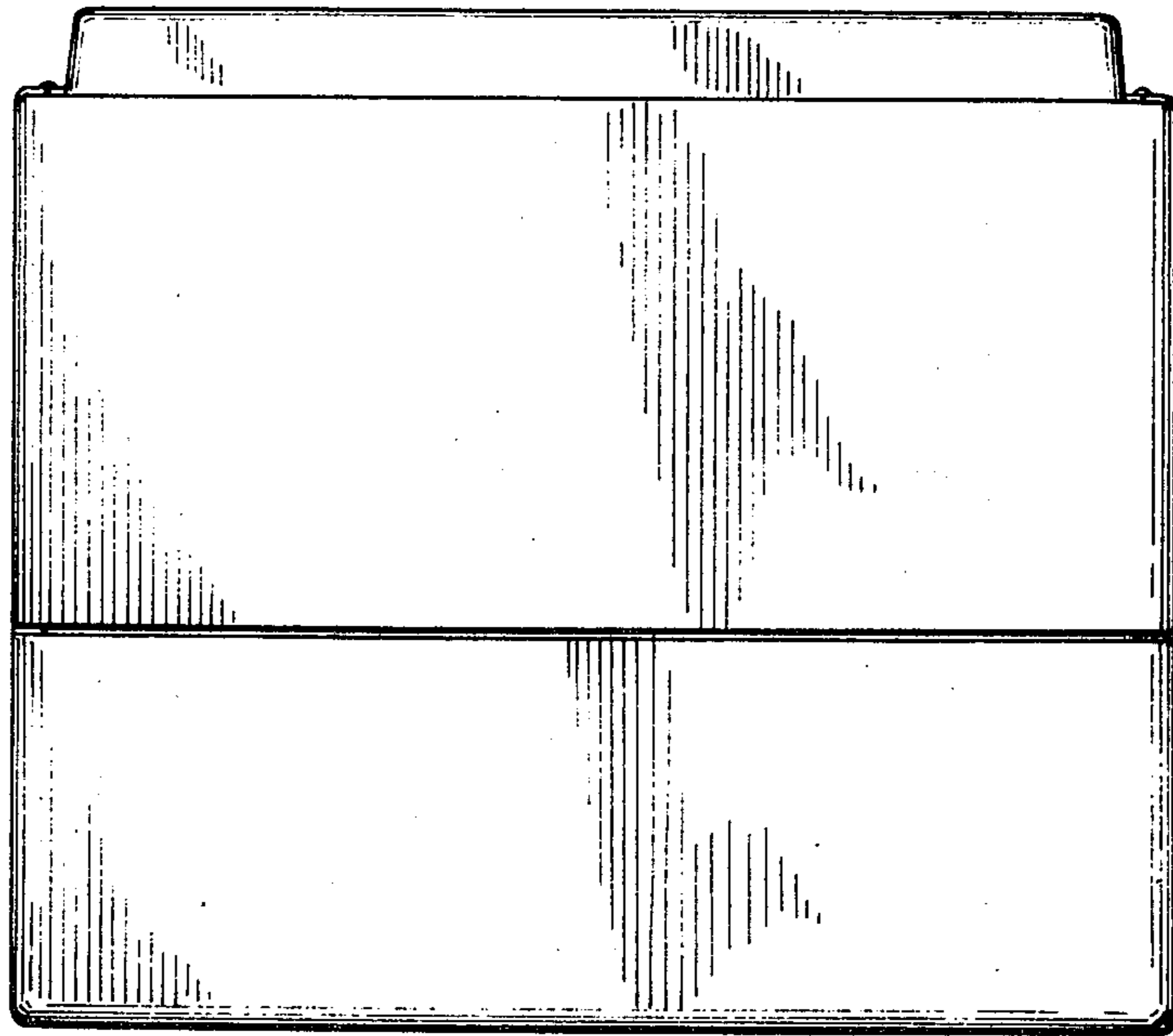


FIG. 5

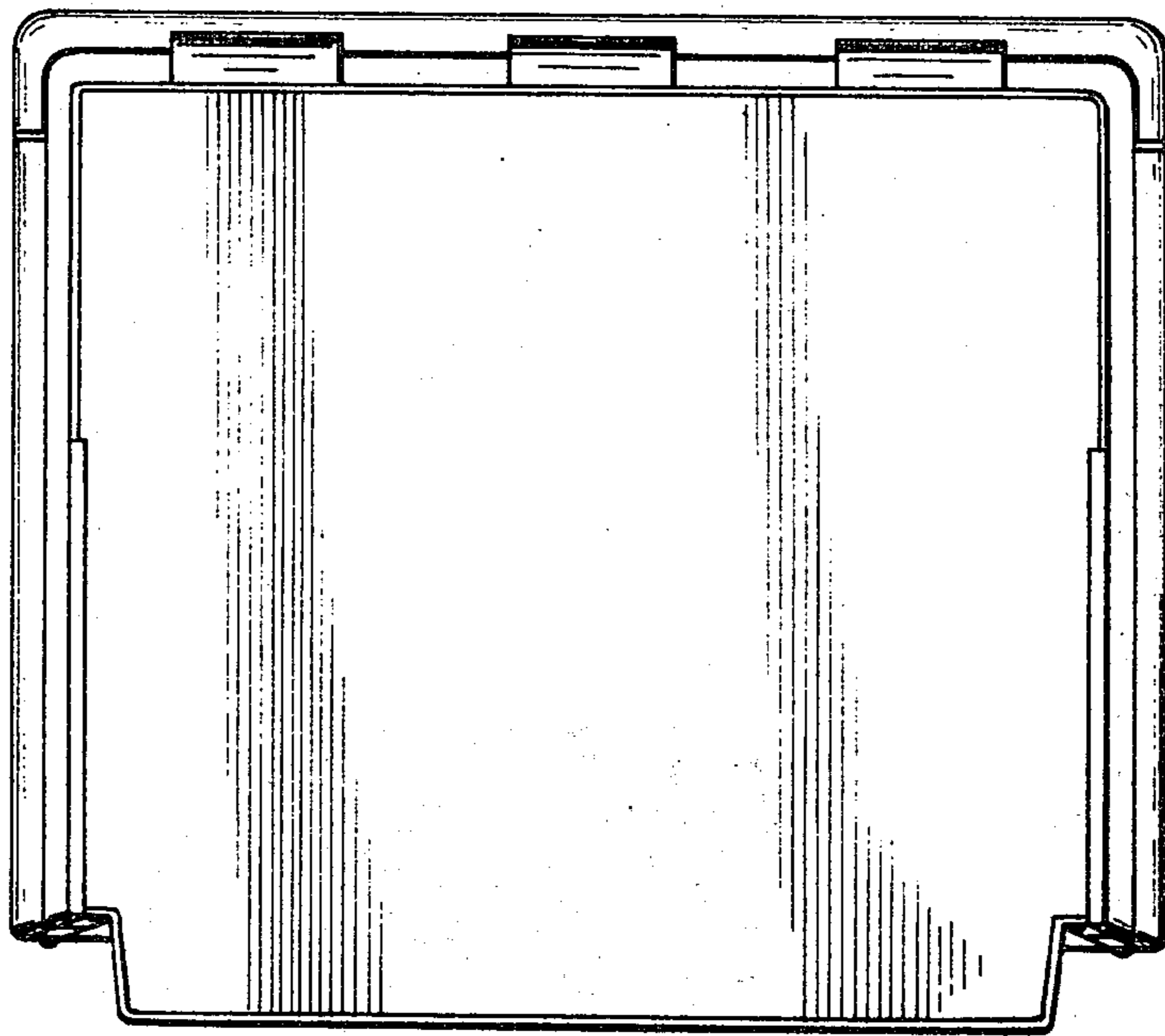


FIG. 6