

[54] CHAIR BASE

[76] Inventor: Donald C. Petitt, 207 W. 86th St., New York, N.Y. 10024

[\*] Notice: The portion of the term of this patent subsequent to Aug. 21, 1998 has been disclaimed.

[\*\*] Term: 14 Years

[21] Appl. No.: 492,289

[22] Filed: May 6, 1983

Related U.S. Application Data

[62] Division of Ser. No. 320,038, Nov. 10, 1981.

[52] U.S. Cl. .... D6/498; D6/366

[58] Field of Search ..... D6/30, 31, 366

[56] References Cited

U.S. PATENT DOCUMENTS

D. 231,286 4/1974 Dittert ..... D6/366

D. 233,712 11/1974 Koepke ..... D6/366  
D. 236,302 8/1975 Prizlow ..... D6/366  
D. 249,203 9/1978 Gill ..... D6/366  
D. 254,104 2/1980 Wilson ..... D6/366

OTHER PUBLICATIONS

Thonet brochure © Oct. 1981, p. 2, chair at center.

Primary Examiner—Bruce W. Dunkins

Attorney, Agent, or Firm—A. Thomas Kammer

[57] CLAIM

The ornamental design for a chair base, as shown and described.

DESCRIPTION

FIG. 1 is a top perspective view of a chair having a base according to the invention, the seat portion thereof being shown in phantom;

FIG. 2 is a side elevation view thereof;

FIG. 3 is a front elevation view thereof;

FIG. 4 is a rear elevation view thereof; and

FIG. 5 is a top sectional view of the base taken along the plane of line 5—5 in FIG. 3.

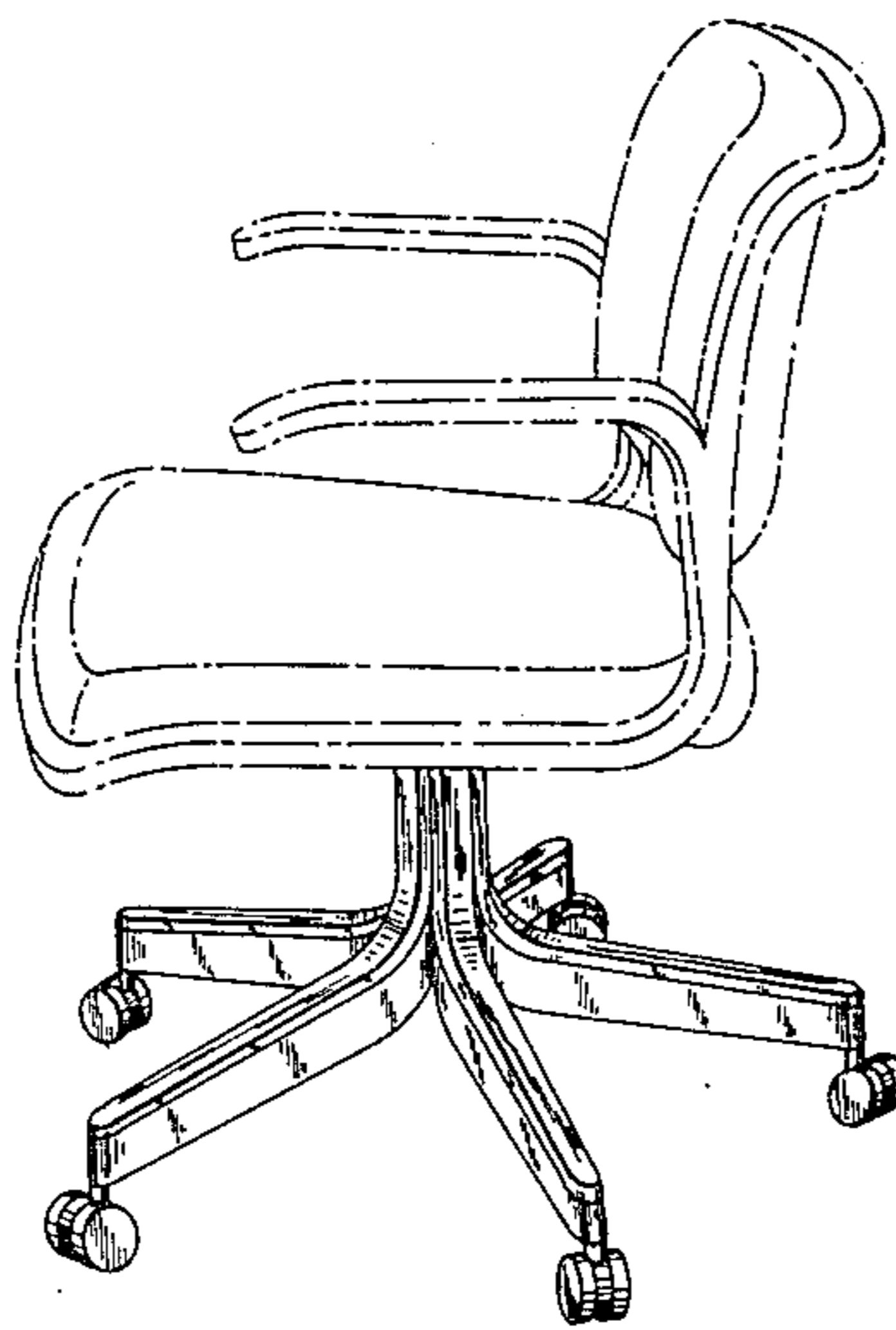


FIG. 1

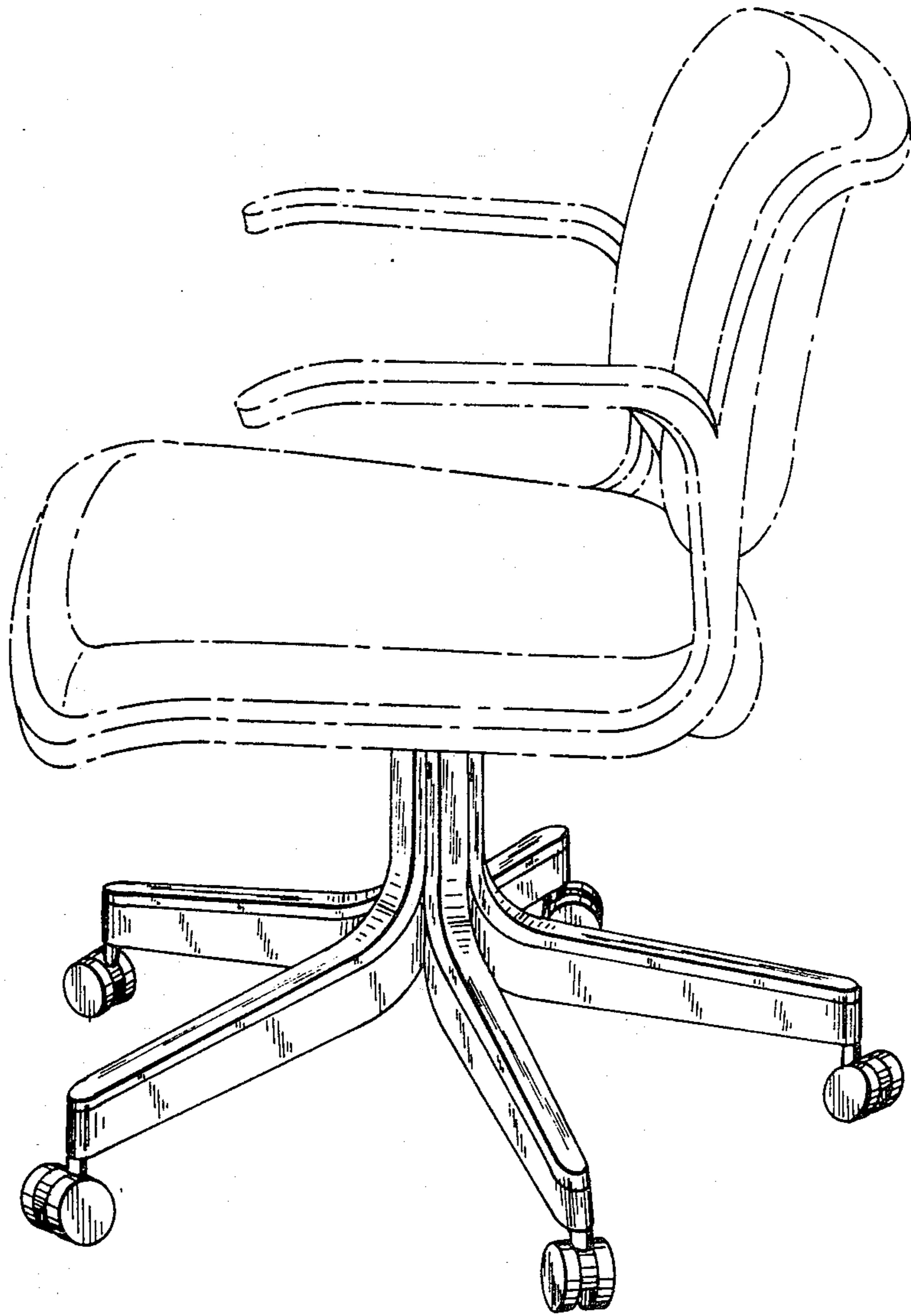


FIG. 3

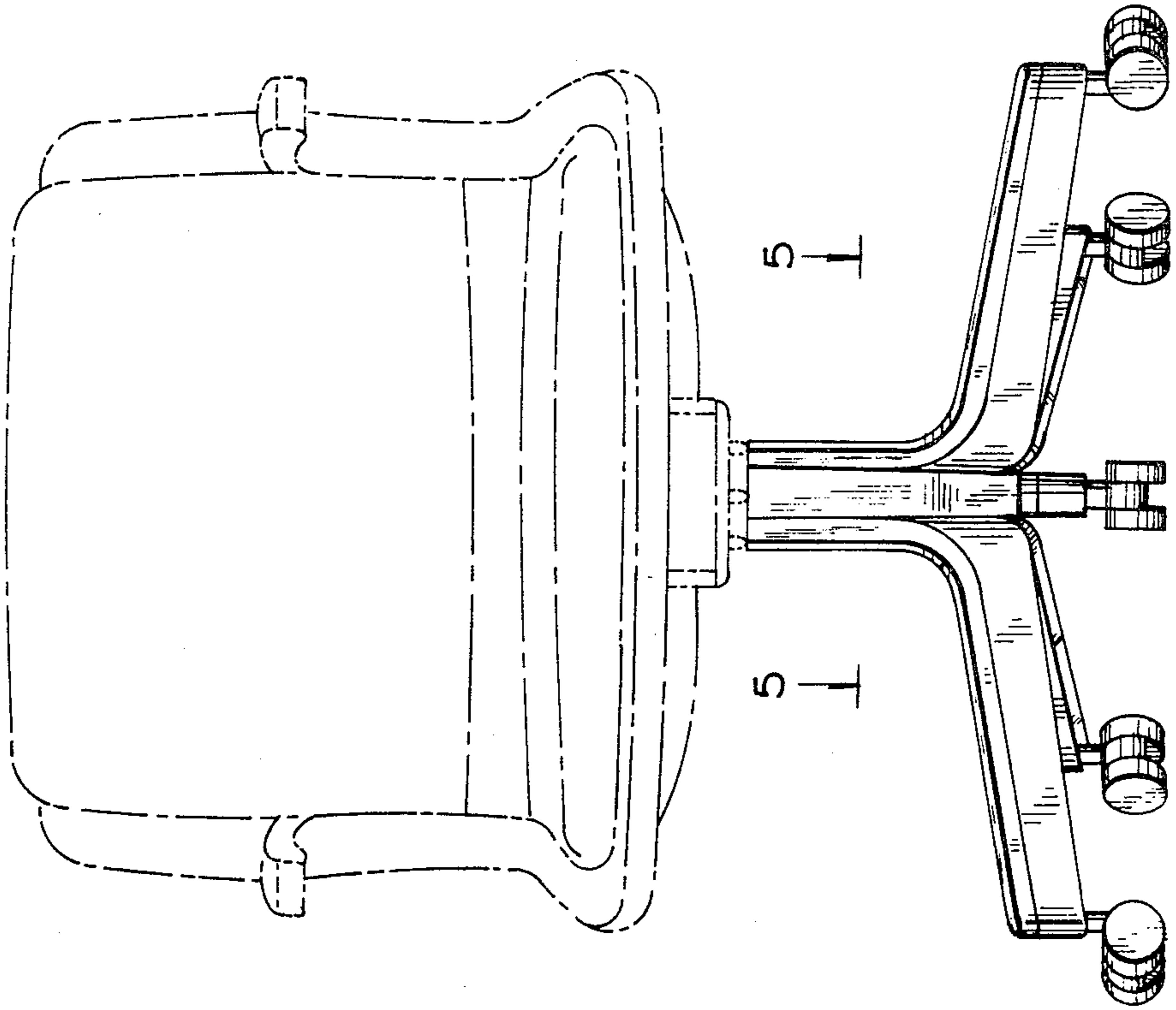


FIG. 2

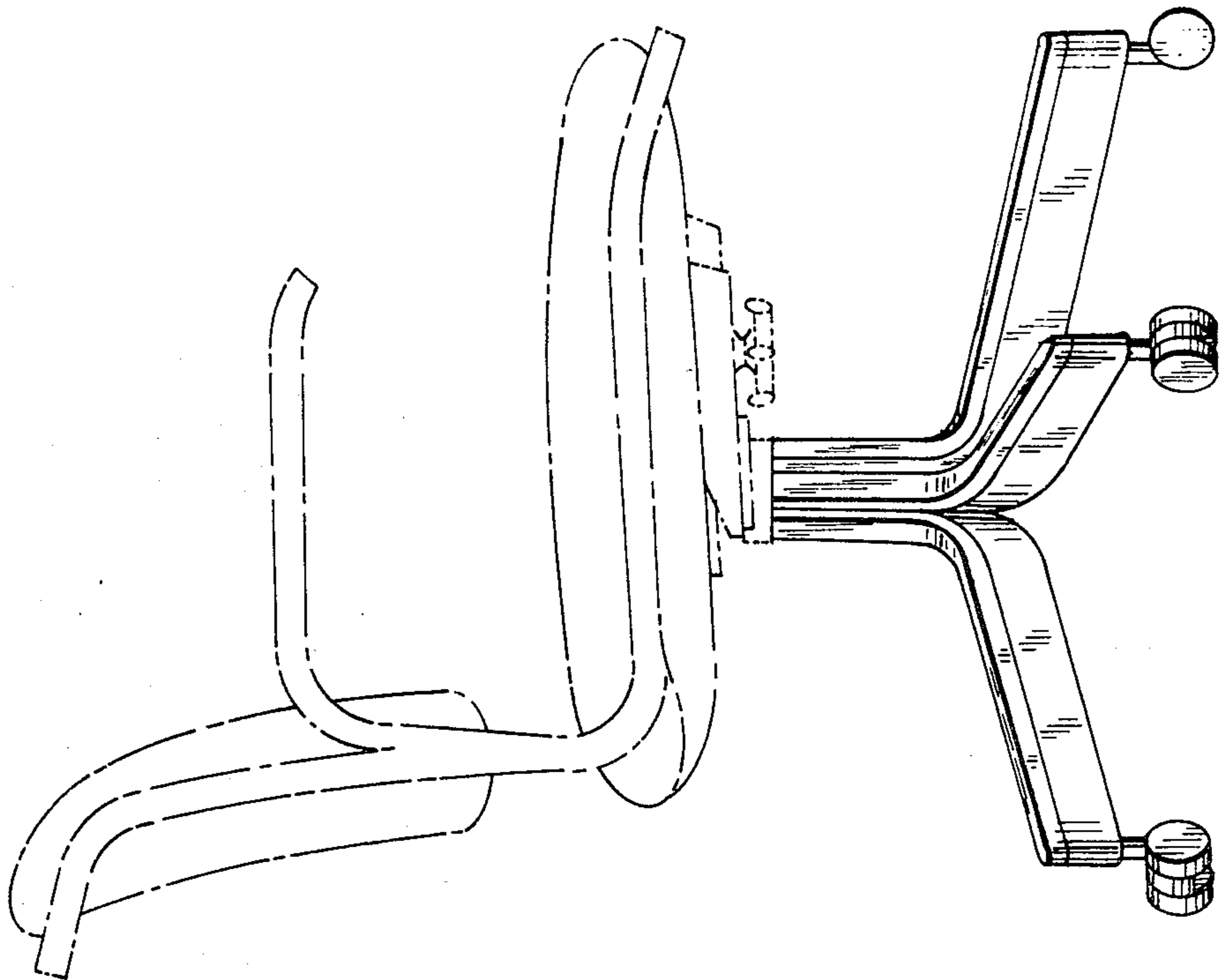


FIG. 5

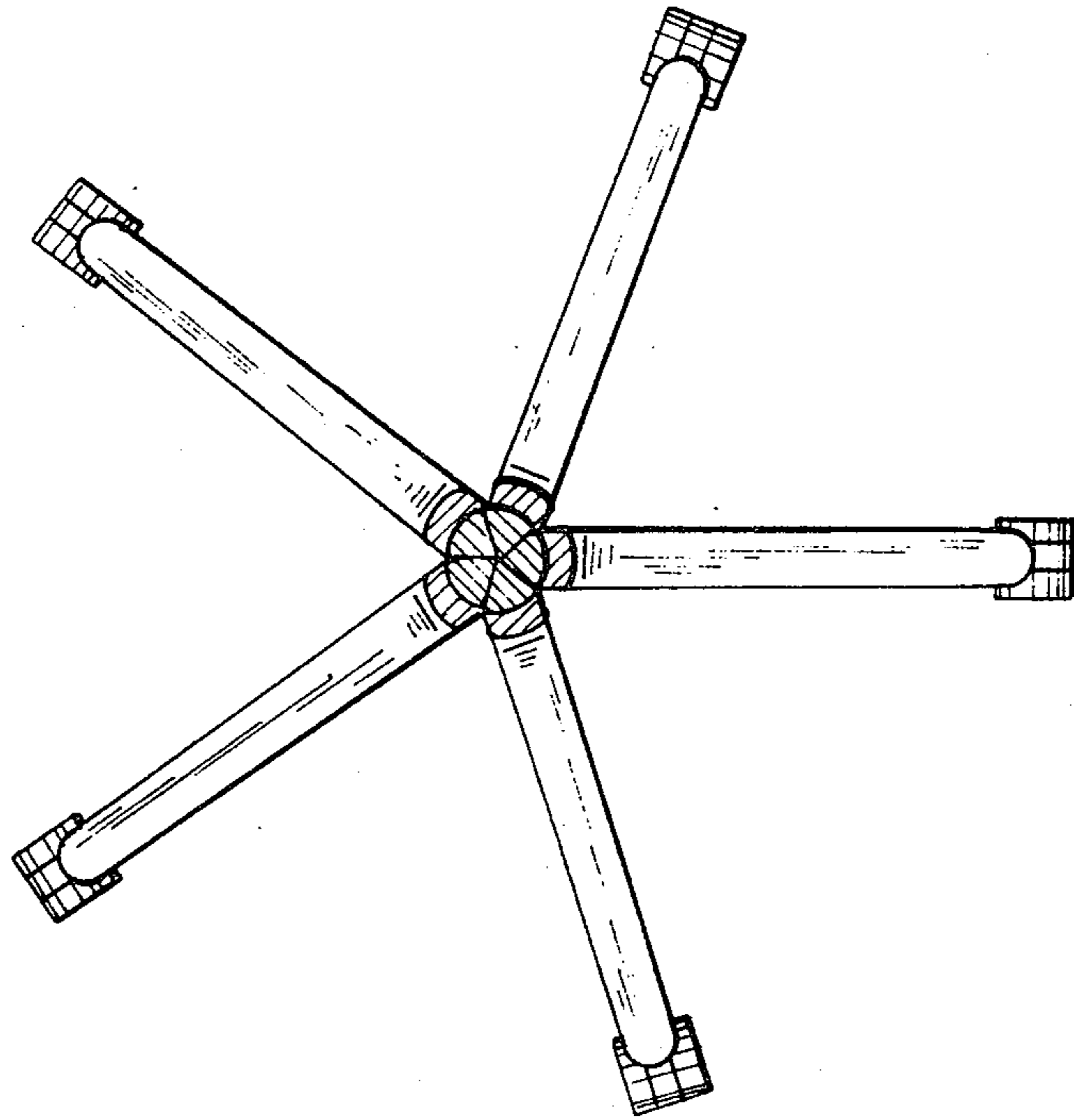


FIG. 4

