

[54] **SUPPORT STAND FOR CARD PLAYERS' ACCESSORIES**

[76] **Inventor:** Richard L. Rose, 3605 E. 144th St., Cleveland, Ohio 44120

[\*\*] **Term:** 14 Years

[21] **Appl. No.:** 532,469

[22] **Filed:** Sep. 15, 1983

[52] **U.S. Cl.** ..... D6/467; D6/419; D6/486

[58] **Field of Search** ..... D6/419, 420, 417, 466, D6/467, 468, 469, 477, 478, 479, 480, 486

[56] **References Cited**

**U.S. PATENT DOCUMENTS**

D. 146,302	2/1947	De Sarro .	
D. 146,886	6/1947	Vigars .....	D27/21 X
D. 148,506	1/1948	Weinberg .....	D6/477 X
D. 151,217	10/1948	Buehren .....	D21/55
D. 158,063	4/1950	Gardenhire .	
D. 159,903	8/1950	Greitzer .	
D. 160,166	9/1950	Greitzer .	
D. 162,276	2/1951	Zemmer .....	D6/419 X
D. 169,041	3/1953	Johnson .....	D27/21
D. 175,300	8/1955	Farbush .....	D6/457
D. 189,535	1/1961	Rath, Jr. ....	D6/469
D. 216,713	3/1970	Buchwach .....	D6/457

D. 234,381	2/1975	Berger .....	D6/469
D. 243,142	1/1977	Chmela .....	D7/45
D. 246,278	11/1977	Forselius .....	D7/38
D. 279,444	7/1985	McDonald .....	D6/478 X
1,846,878	2/1932	Kopp .....	D6/486 X
1,905,123	4/1933	Barbe .....	248/129
2,282,422	5/1942	Gallagher .....	131/241
2,636,632	4/1953	Miller .....	220/1
2,734,515	2/1956	Campbell .....	131/238

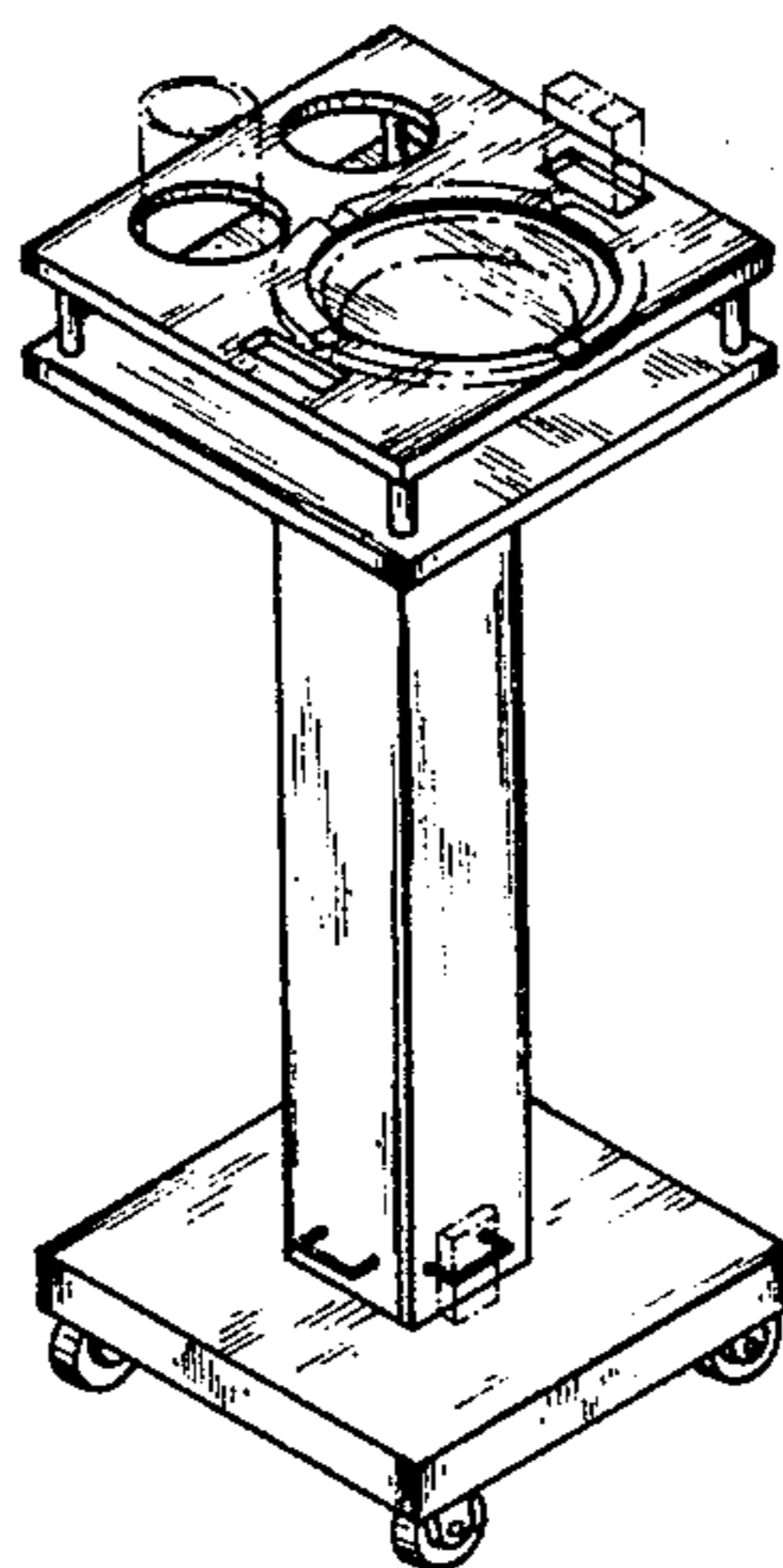
*Primary Examiner*—Bruce W. Dunkins  
*Attorney, Agent, or Firm*—Porter & Bremer Co.

[57] **CLAIM**

The ornamental design for a support stand for card players' accessories, as shown and described.

**DESCRIPTION**

FIG. 1 is a perspective view of a support stand for card players' accessories according to the invention; FIG. 2 is a side elevational view of the card playing accessory of FIG. 1; FIG. 3 is an end elevational view of the card playing accessory of FIG. 1; FIG. 4 is a top plan view of the card playing accessory of FIG. 1; and FIG. 5 is a bottom plan view of the card playing accessory of FIG. 1. The items depicted by means of broken lines in FIG. 1 are shown for illustrative purposes only.



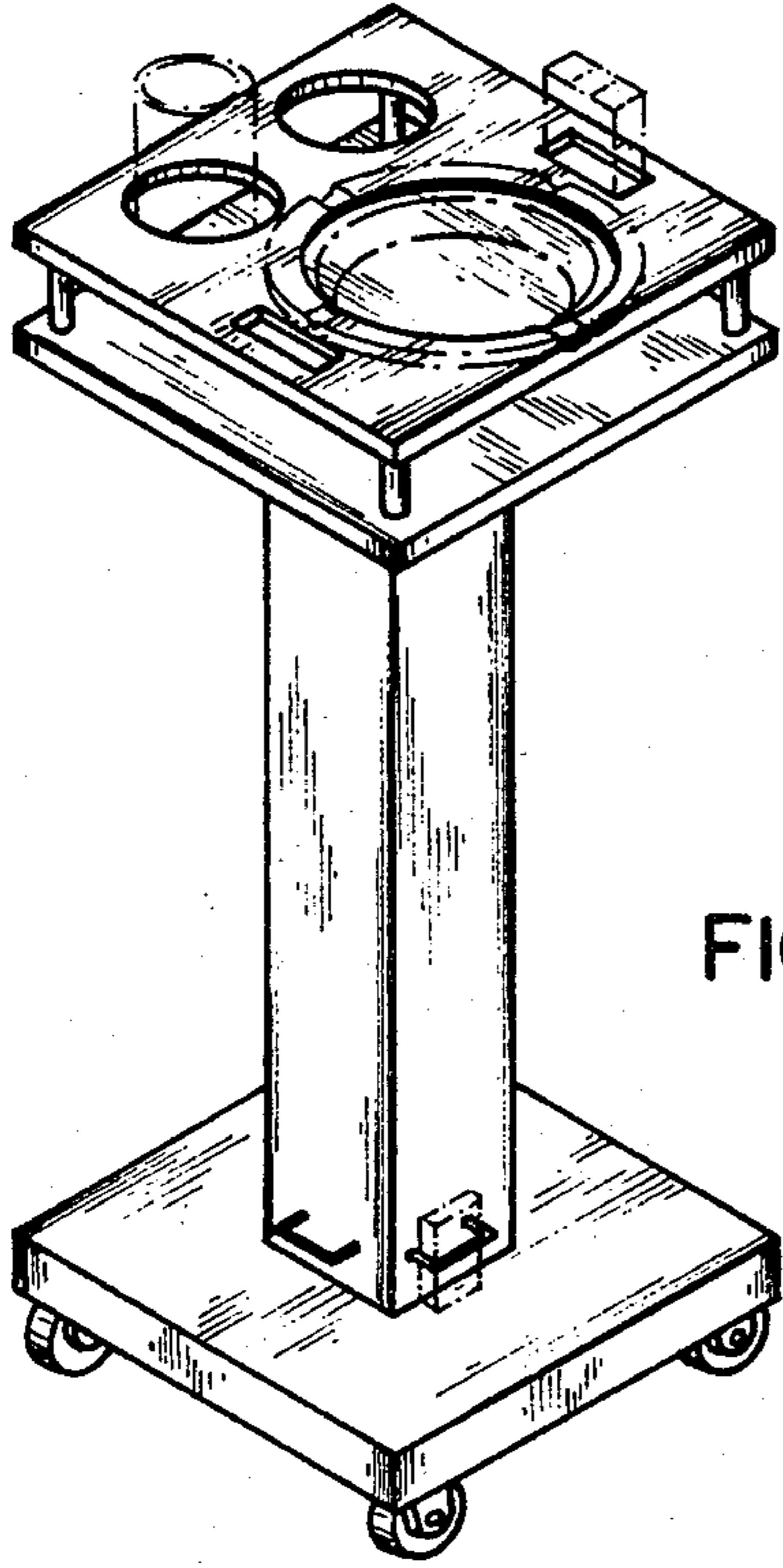


FIG. 1

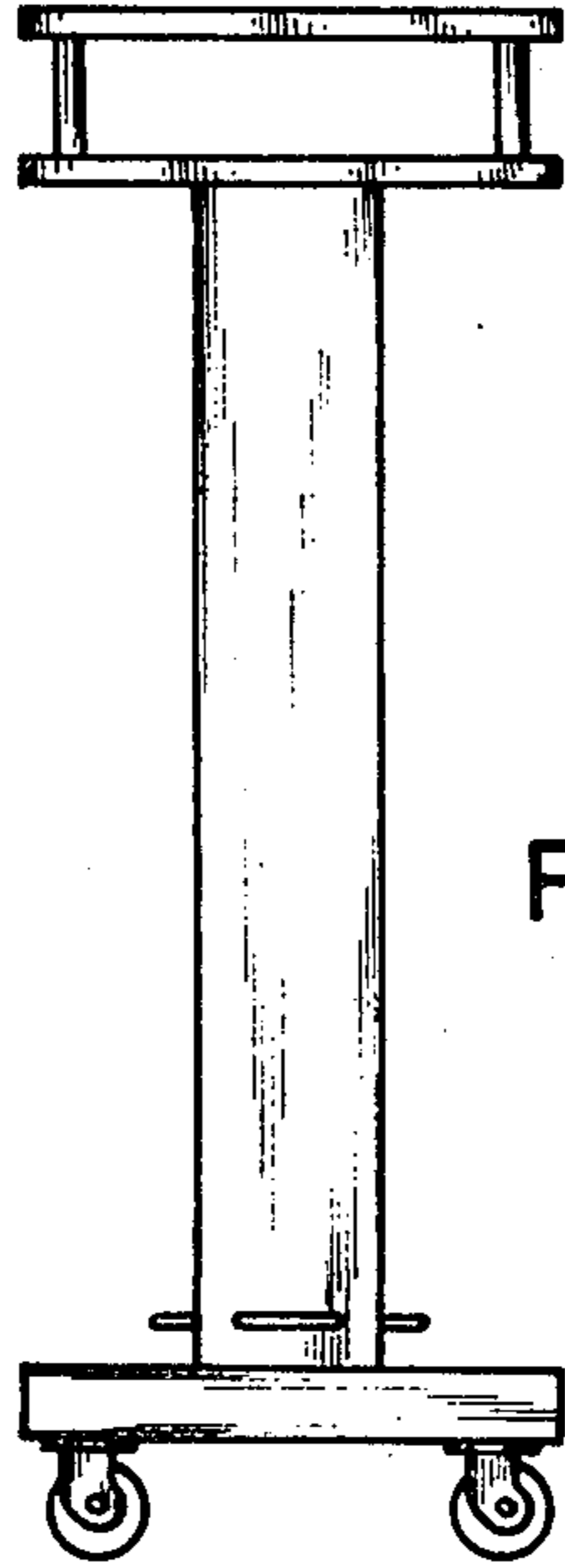


FIG. 2

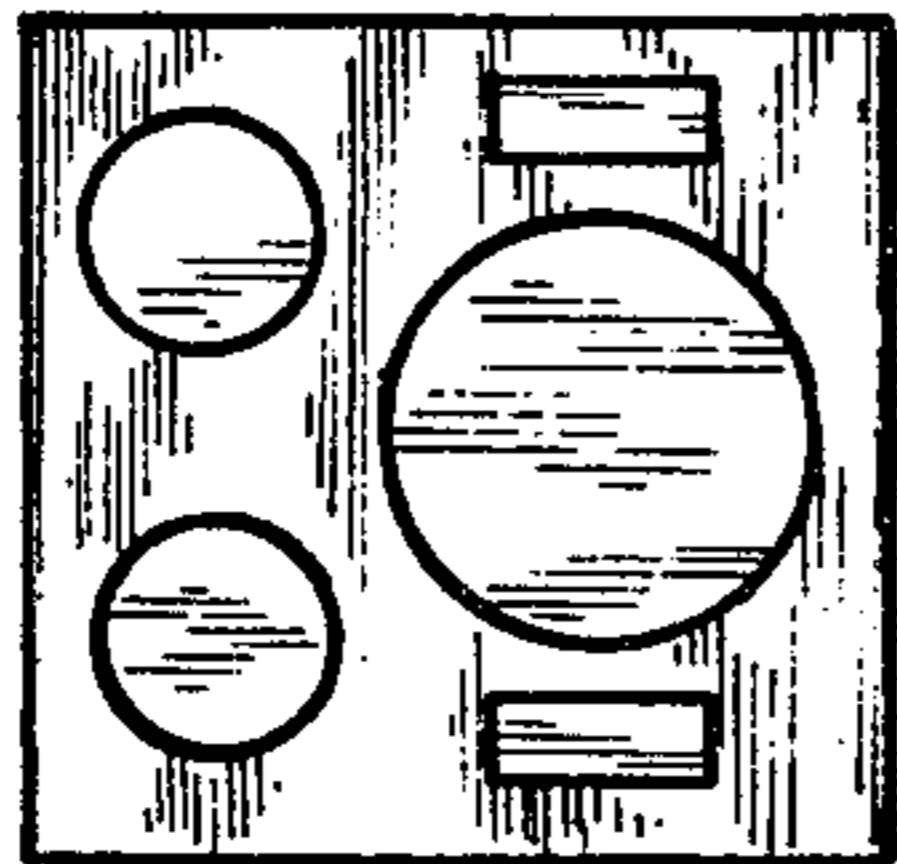


FIG. 4

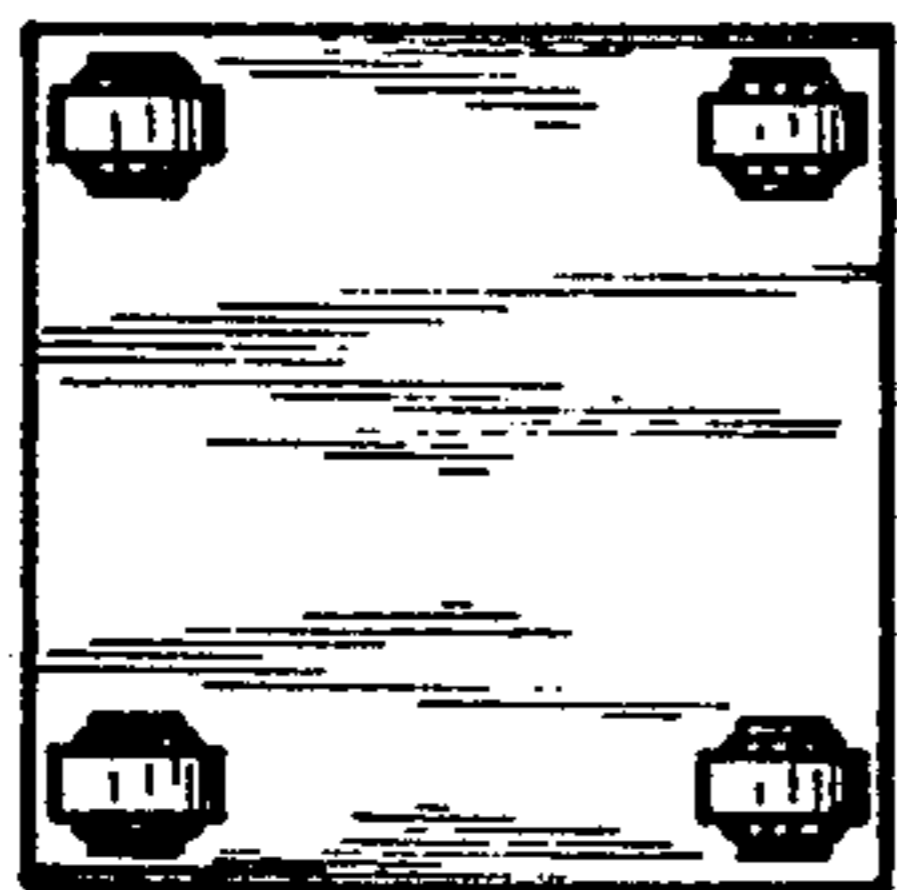


FIG. 5

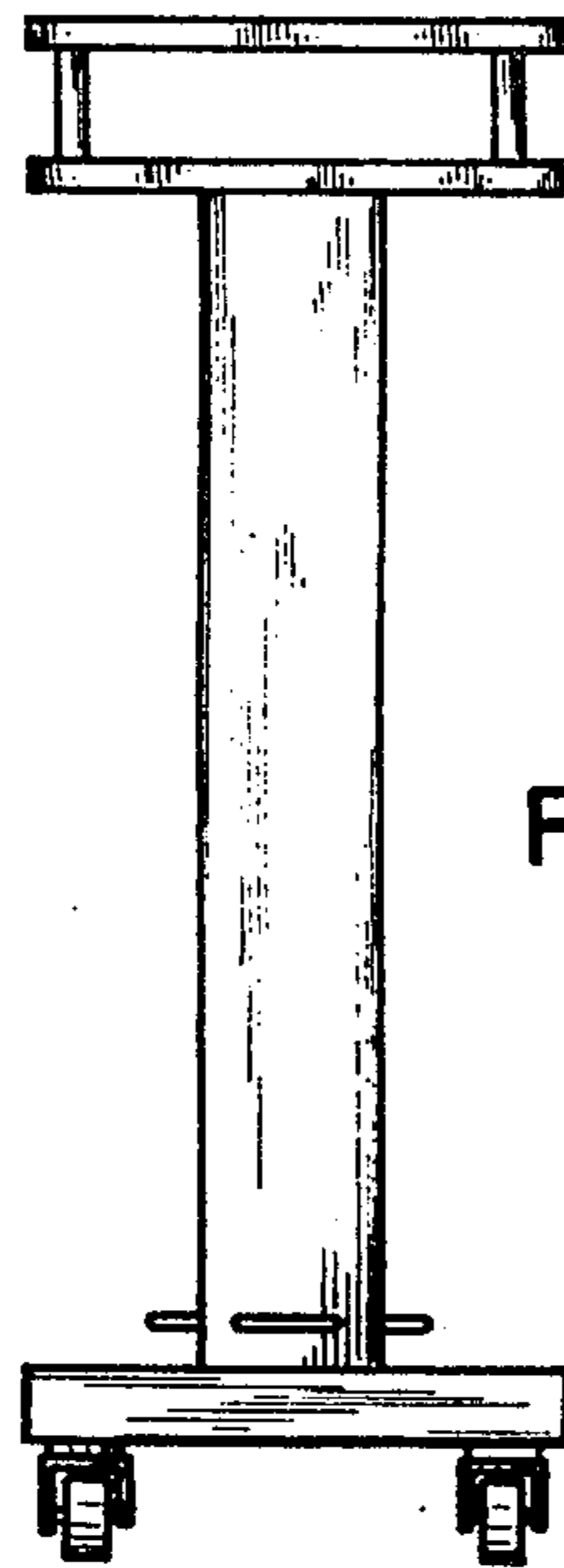


FIG. 3