

[54] SEAT

[75] Inventor: **William B. Raftery**, Arlington, Tex.

[73] Assignee: **Steelcase, Inc.**, Grand Rapids, Mich.

[**] Term: **14 Years**

[21] Appl. No.: **494,299**

[22] Filed: **May 13, 1983**

[52] U.S. Cl. **D6/334; D6/381**

[58] Field of Search **D6/334, 375, 379, 380,
D6/381; 297/218, 229, 440**

[56] **References Cited**

U.S. PATENT DOCUMENTS

D. 240,311	6/1976	Owens	D6/375
D. 244,894	7/1977	Tillberg	D6/381
D. 246,811	1/1978	Klein et al.	D6/375
4,092,049	5/1978	Schoblom	297/440
4,232,899	11/1980	Fister, Jr.	297/229

OTHER PUBLICATIONS

Interiors, Jun. 1980, p. 44, bottom center, chair in panel 8.

Vecta Contract Brochure, Tappo Seating; Miko Seating; Wilkhahn 84 Series.

Primary Examiner—Bruce W. Dunkins

Attorney, Agent, or Firm—Price, Heneveld, Huizenga & Cooper

[57] **CLAIM**

The ornamental design for a seat, as shown and described.

DESCRIPTION

FIG. 1 is a front perspective view of a first embodiment of my design for a seat shown in the form of a chair;

FIG. 2 is a side elevational view thereof, the opposite side being identical in all respects thereto;

FIG. 3 is a back elevational view thereof;

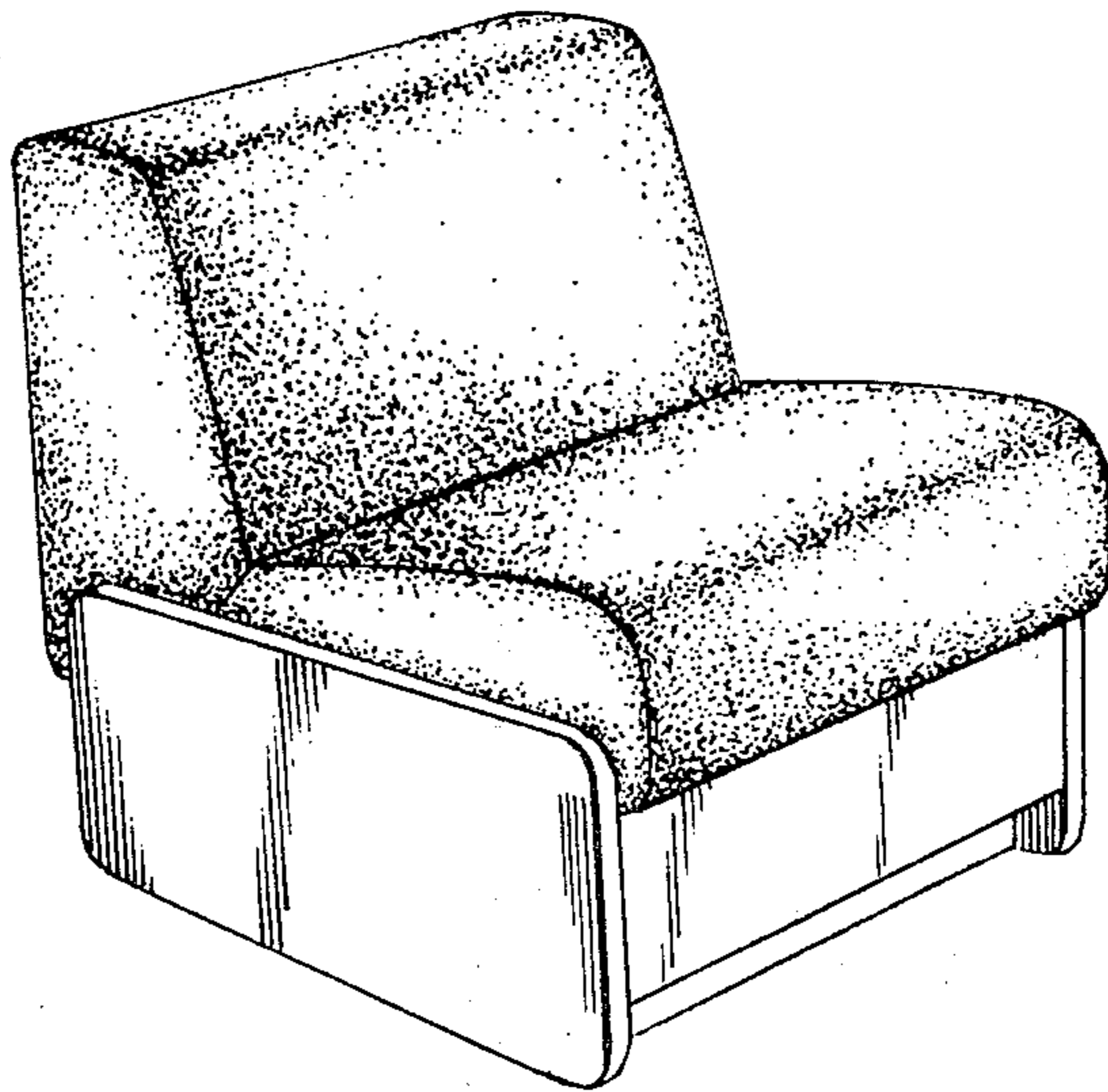
FIG. 4 is a front elevational view thereof;

FIG. 5 is a top plan view thereof;

FIG. 6 is a front perspective view of a second embodiment of my design for a seat shown as a sofa;

FIG. 7 is a rear perspective view thereof;

FIG. 8 is a front perspective view of a third embodiment of my design for a seat shown as a sofa.



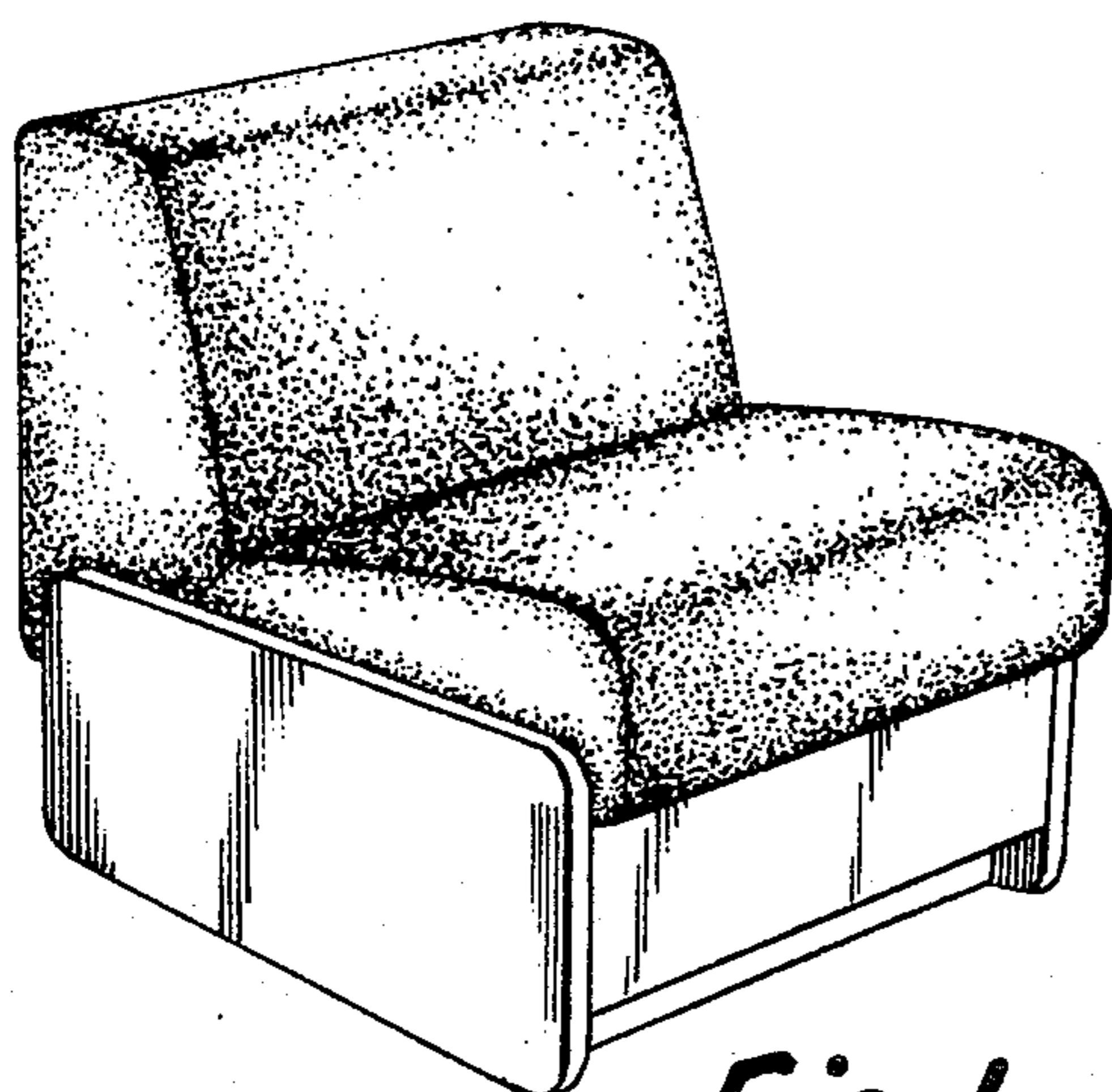


Fig. 1.

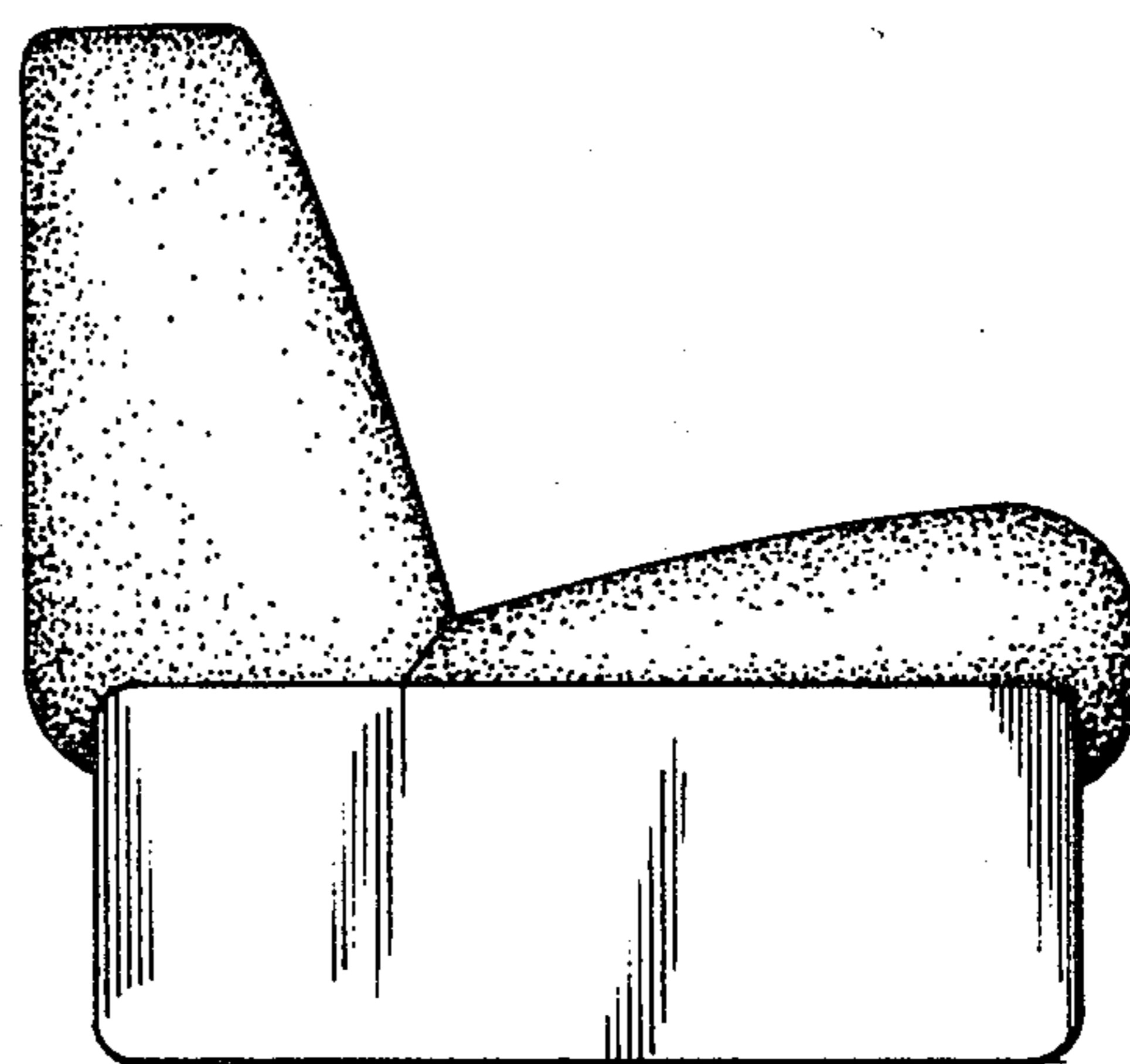


Fig. 2.

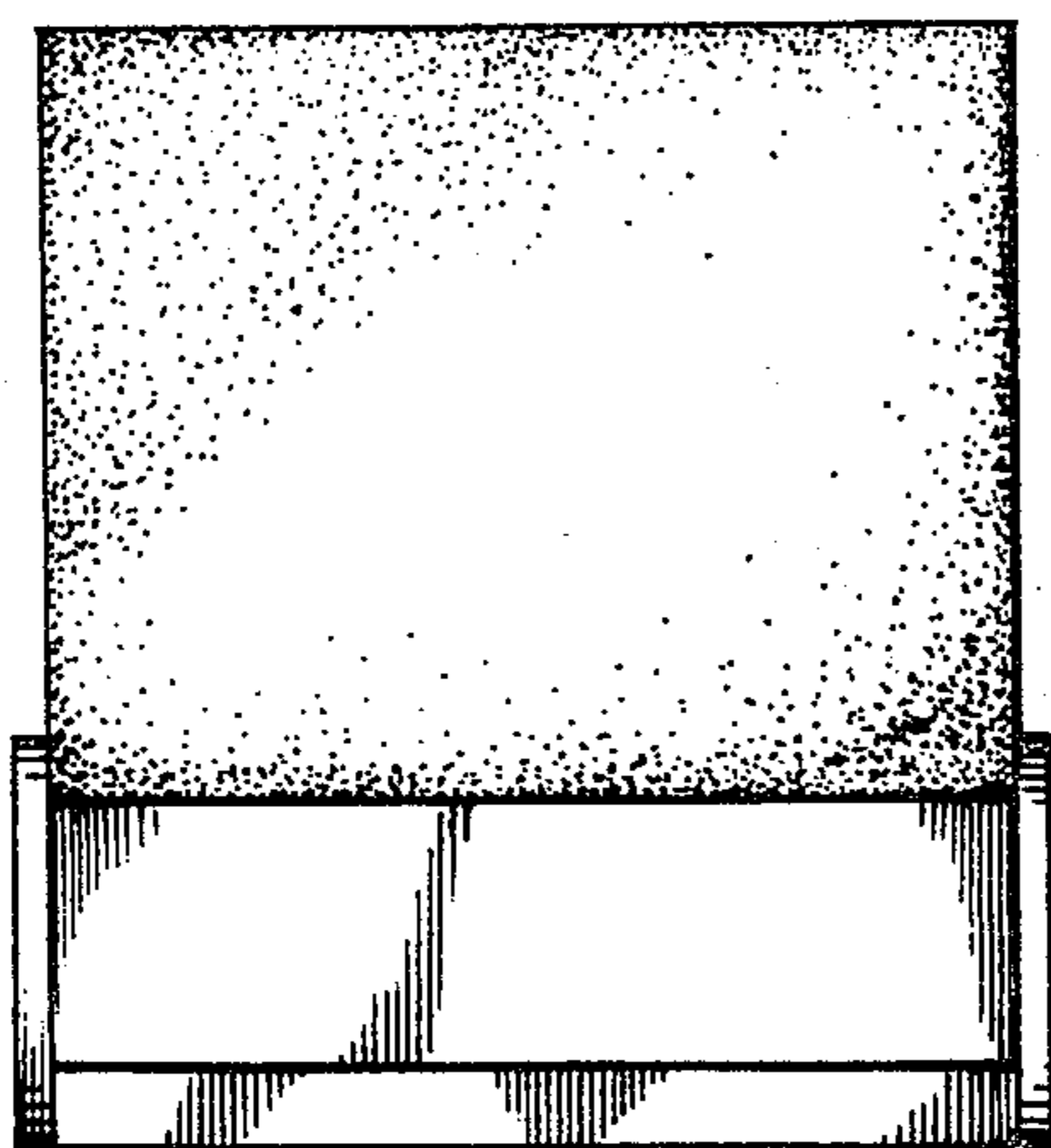


Fig. 3.

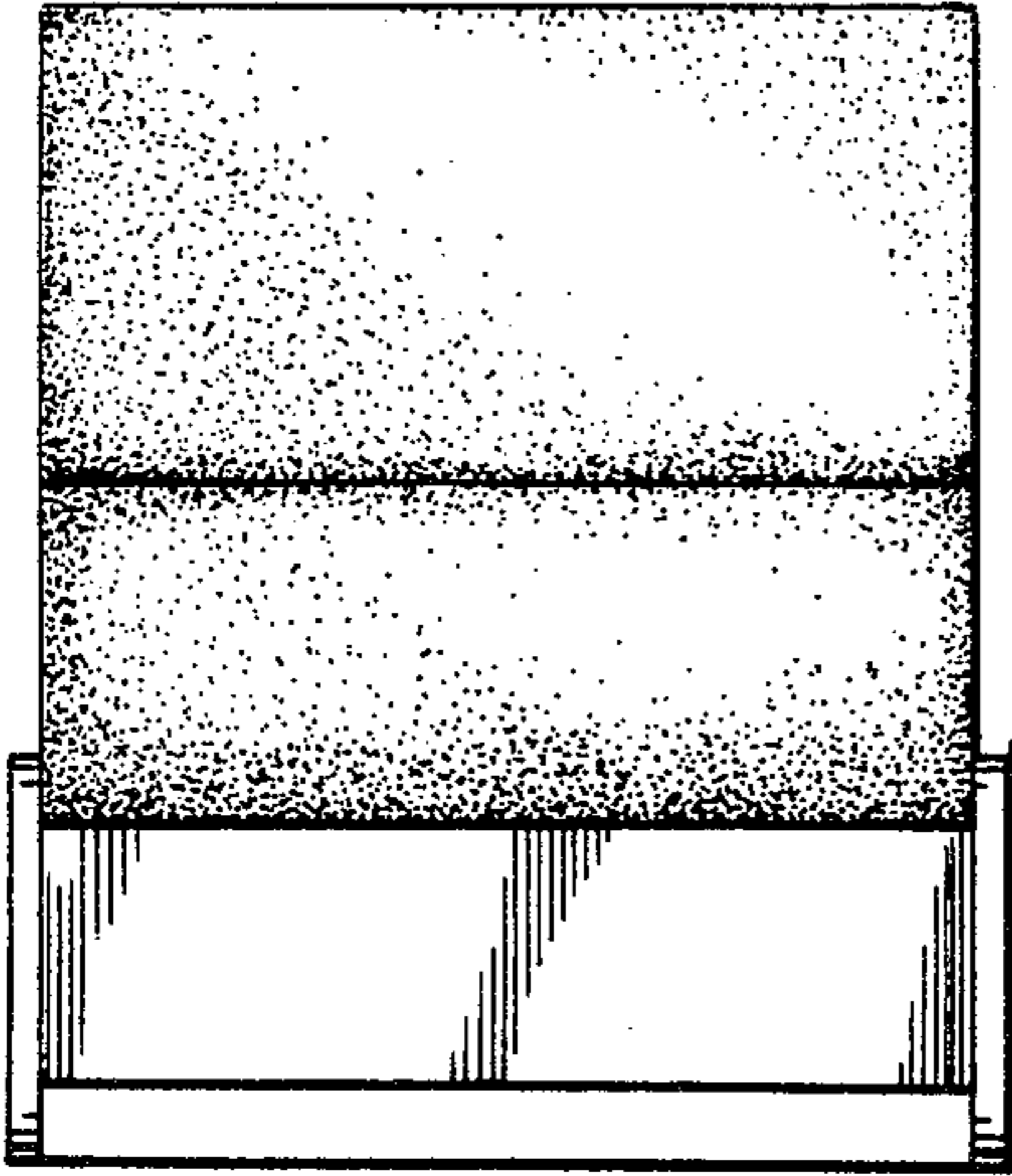


Fig. 4.

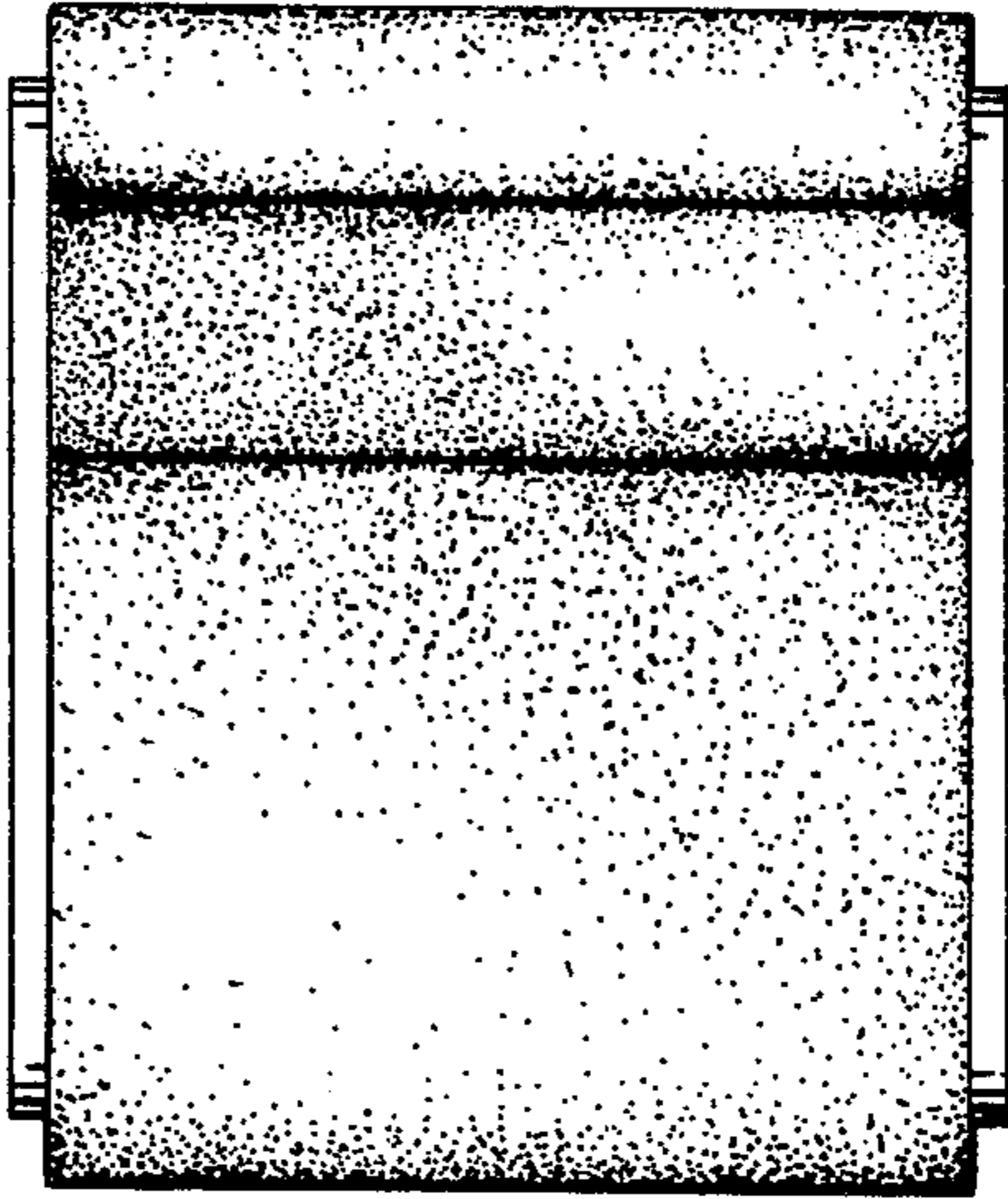


Fig. 5.

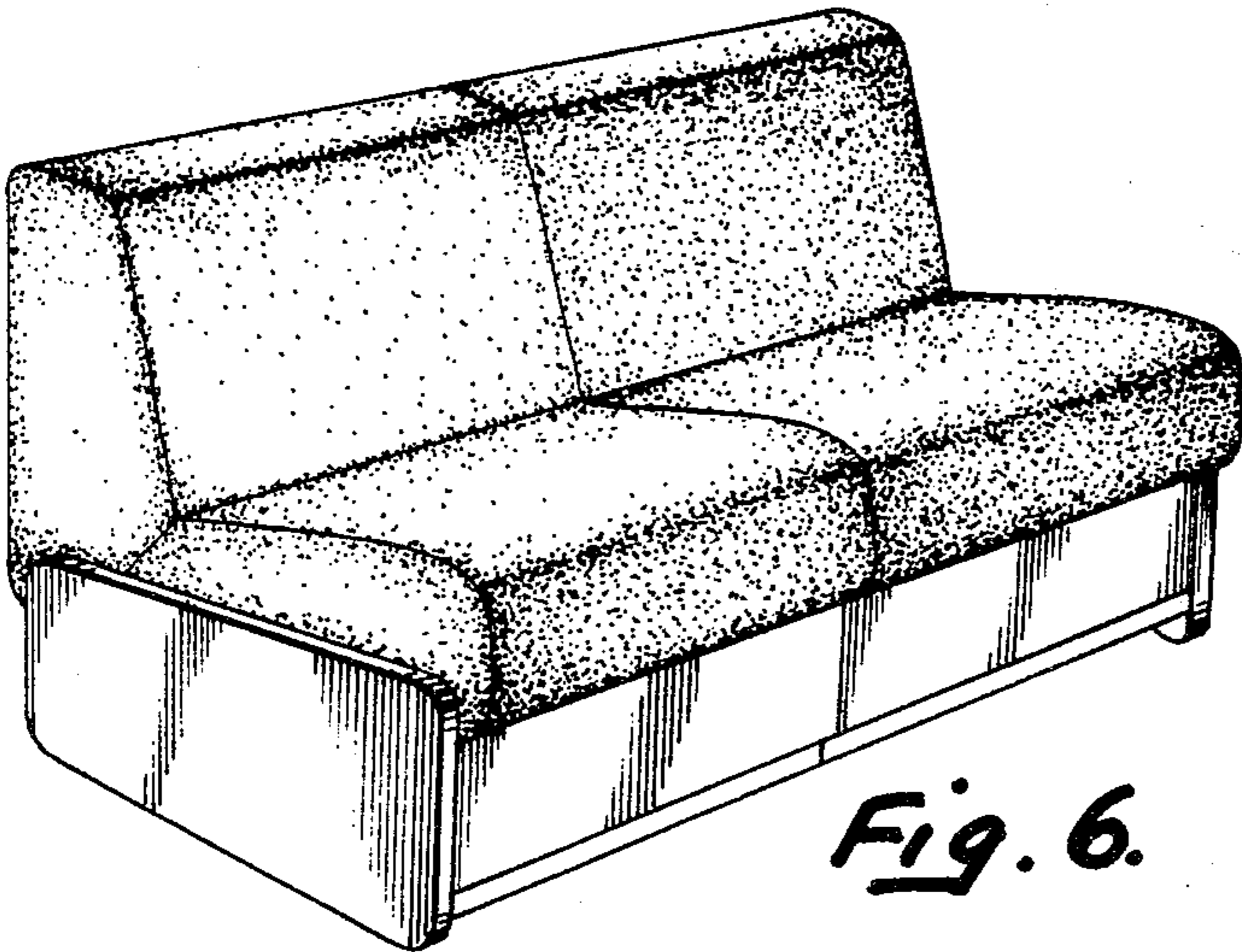


Fig. 6.

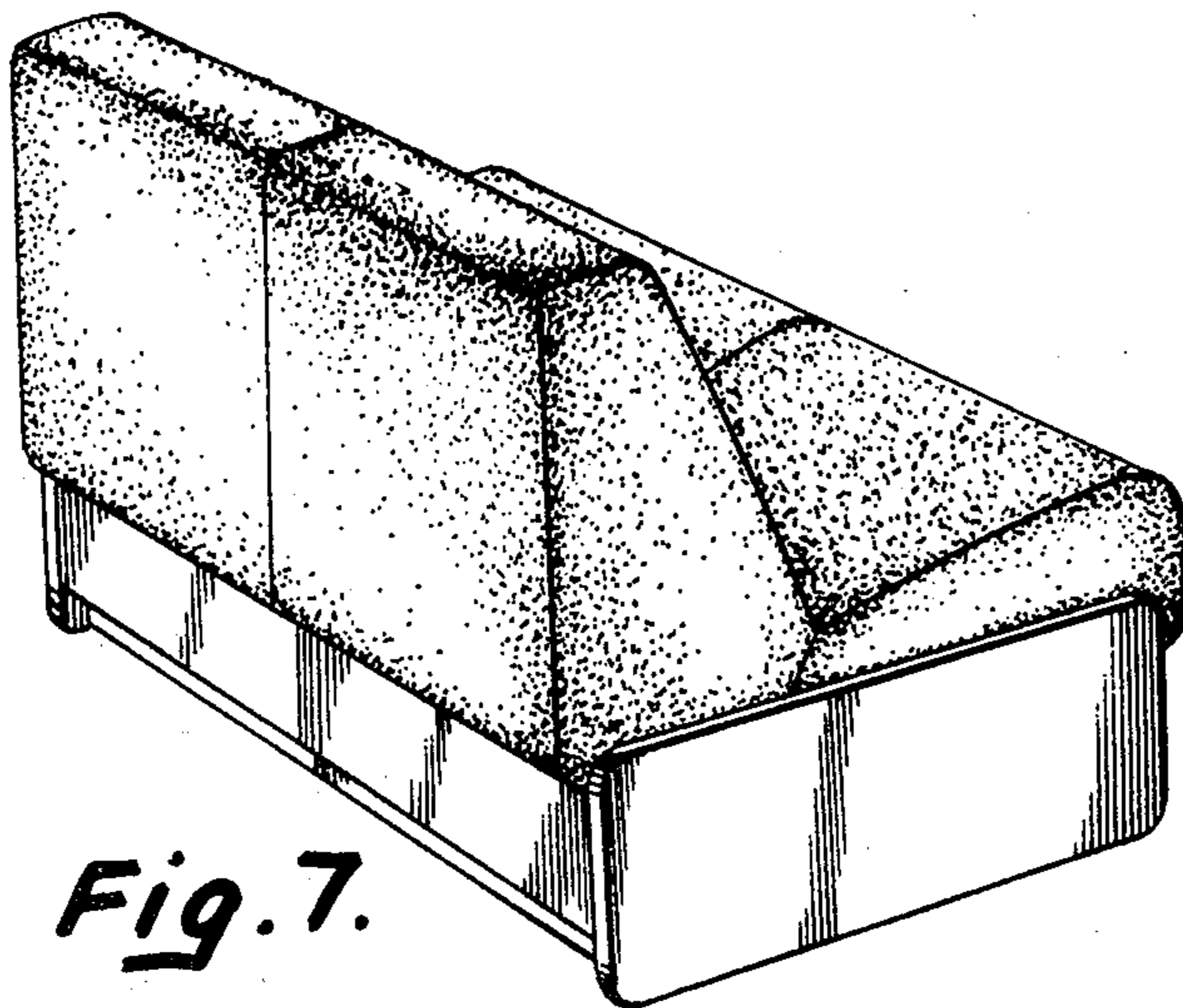


Fig. 7.

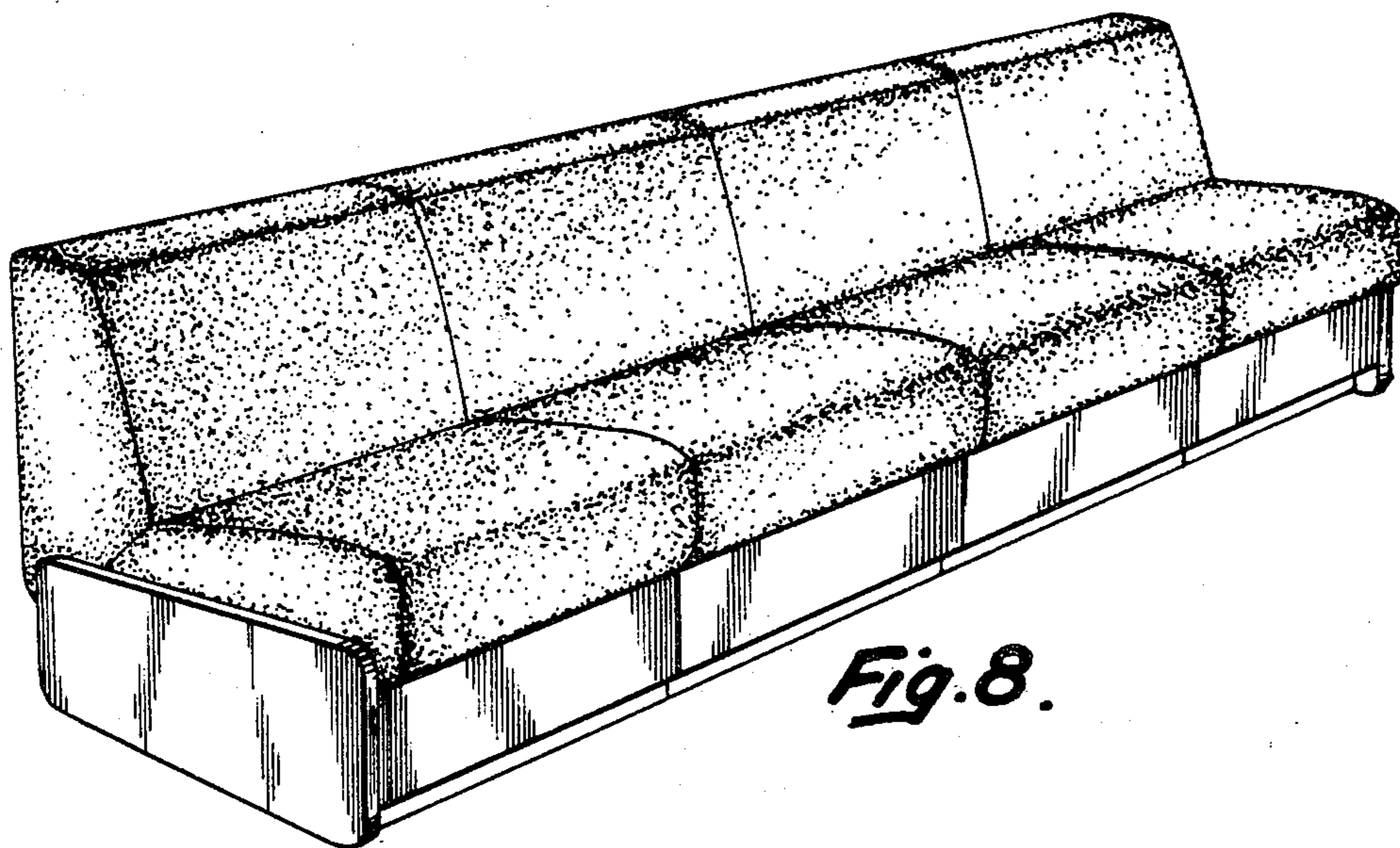


Fig. 8.