

[54] INSERT FOR AN EYEGLASS CASE

4,000,810 1/1977 Leblanc D16/129

[76] Inventor: Ronald Scopettone, 25 Redfearn La., Alamo, Calif. 94507

Primary Examiner—George P. Word
Attorney, Agent, or Firm—Paul L. Hickman

[**] Term: 14 Years

[57] CLAIM

[21] Appl. No.: 573,310

The ornamental design for an insert for an eyeglass case, as shown and described.

[22] Filed: Jan. 23, 1984

[52] U.S. Cl. D3/34; D16/129

DESCRIPTION

[58] Field of Search D3/30.1, 33, 34; D16/129; 206/5 R; 248/DIG. 2

FIG. 1 is a front elevational view of an insert for an eyeglass case showing my new design;

FIG. 2 is a top plan view;

FIG. 3 is a right side elevational view, the left side being a mirror image thereof;

FIG. 4 is a cross-sectional view taken through line 4—4 of FIG. 2;

FIG. 5 is a rear elevational view thereof;

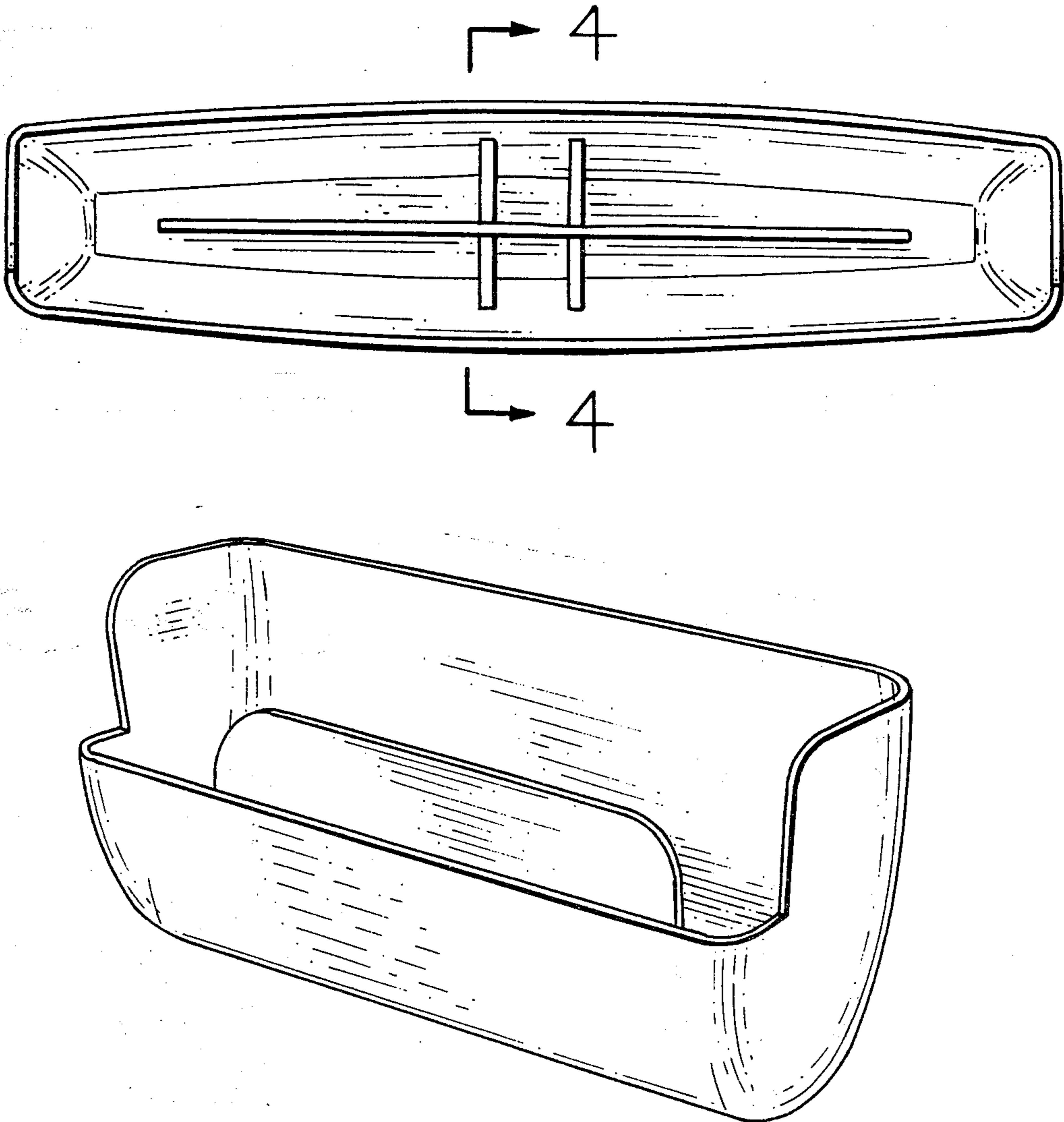
FIG. 6 is a bottom plan view; and

FIG. 7 is a perspective view thereof.

[56] References Cited

U.S. PATENT DOCUMENTS

D. 172,458	6/1954	Baratelli	D3/34
D. 186,135	9/1959	Watkins	D3/34
D. 229,098	11/1973	Reed	D16/129
2,805,766	9/1957	Nathan	206/5 R
2,942,724	6/1960	Hueber et al.	D3/34



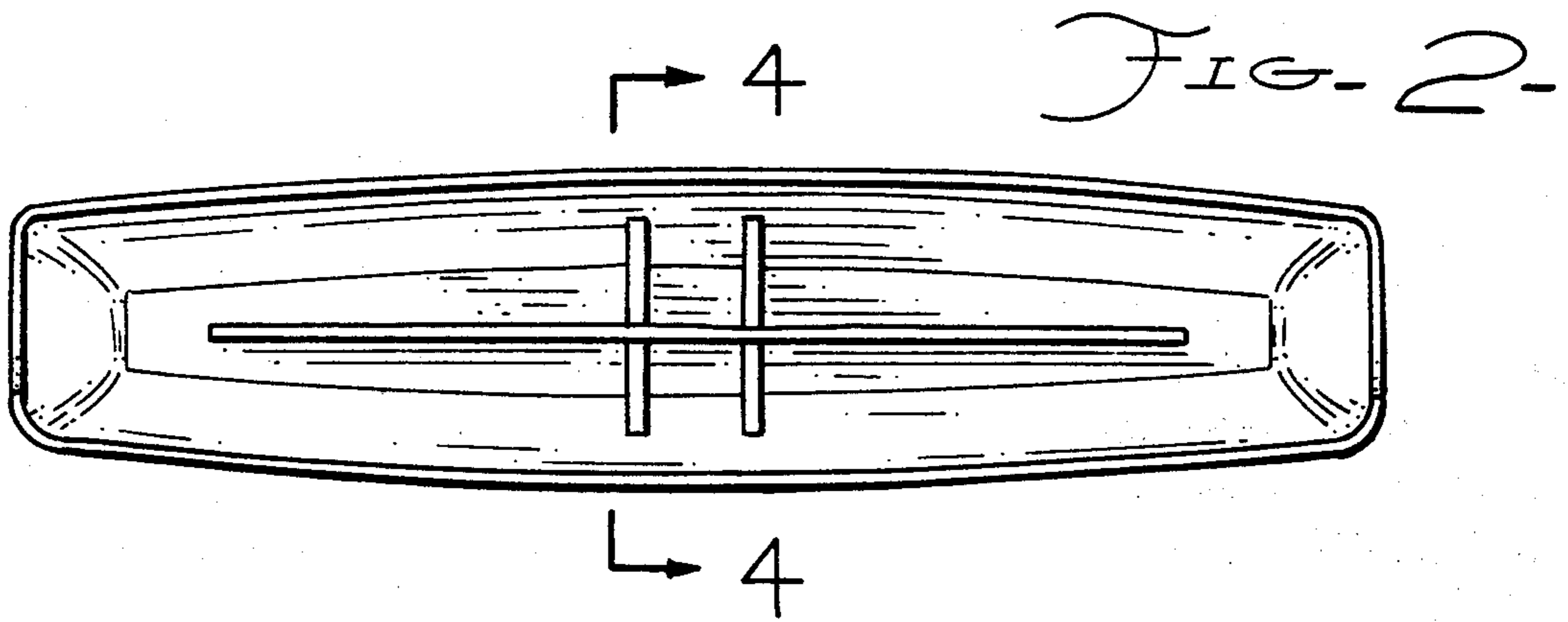


FIG-1-

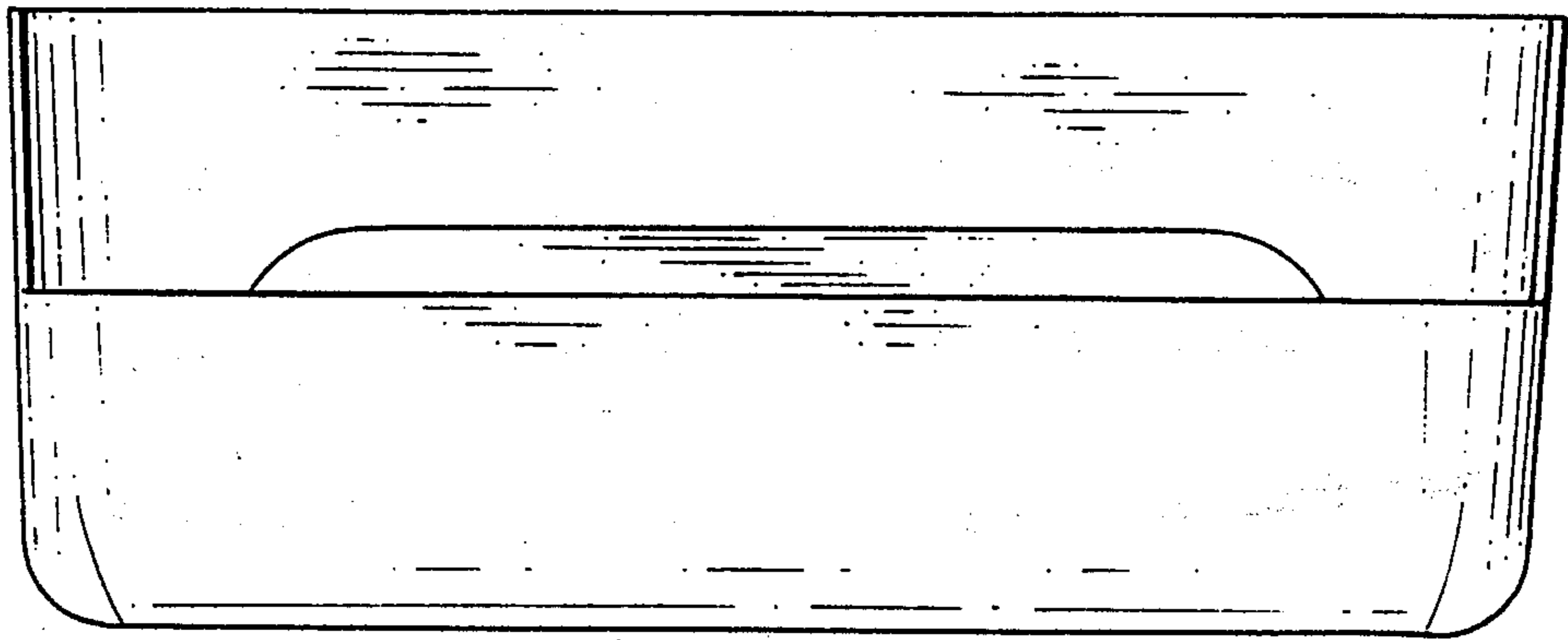


FIG-4-

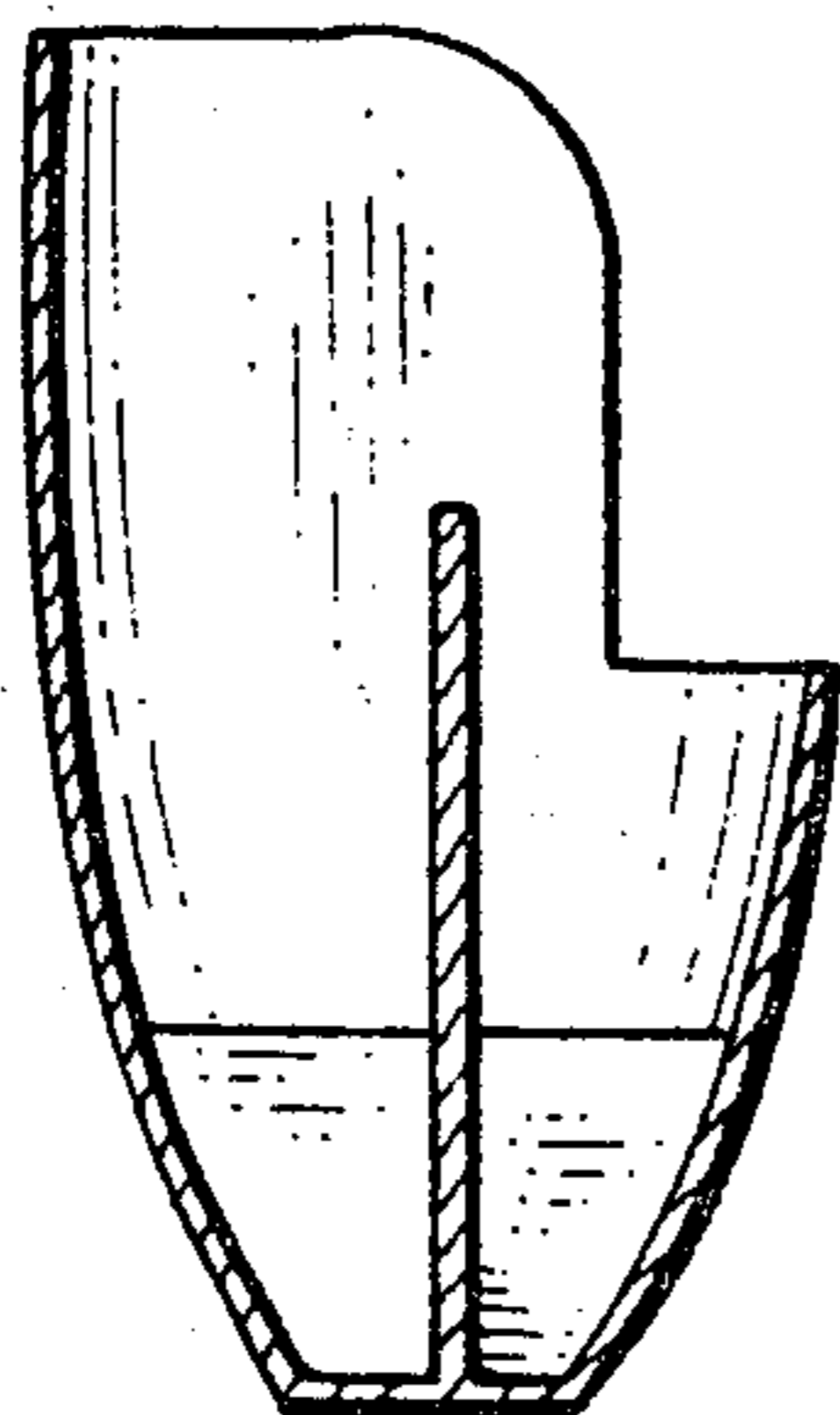
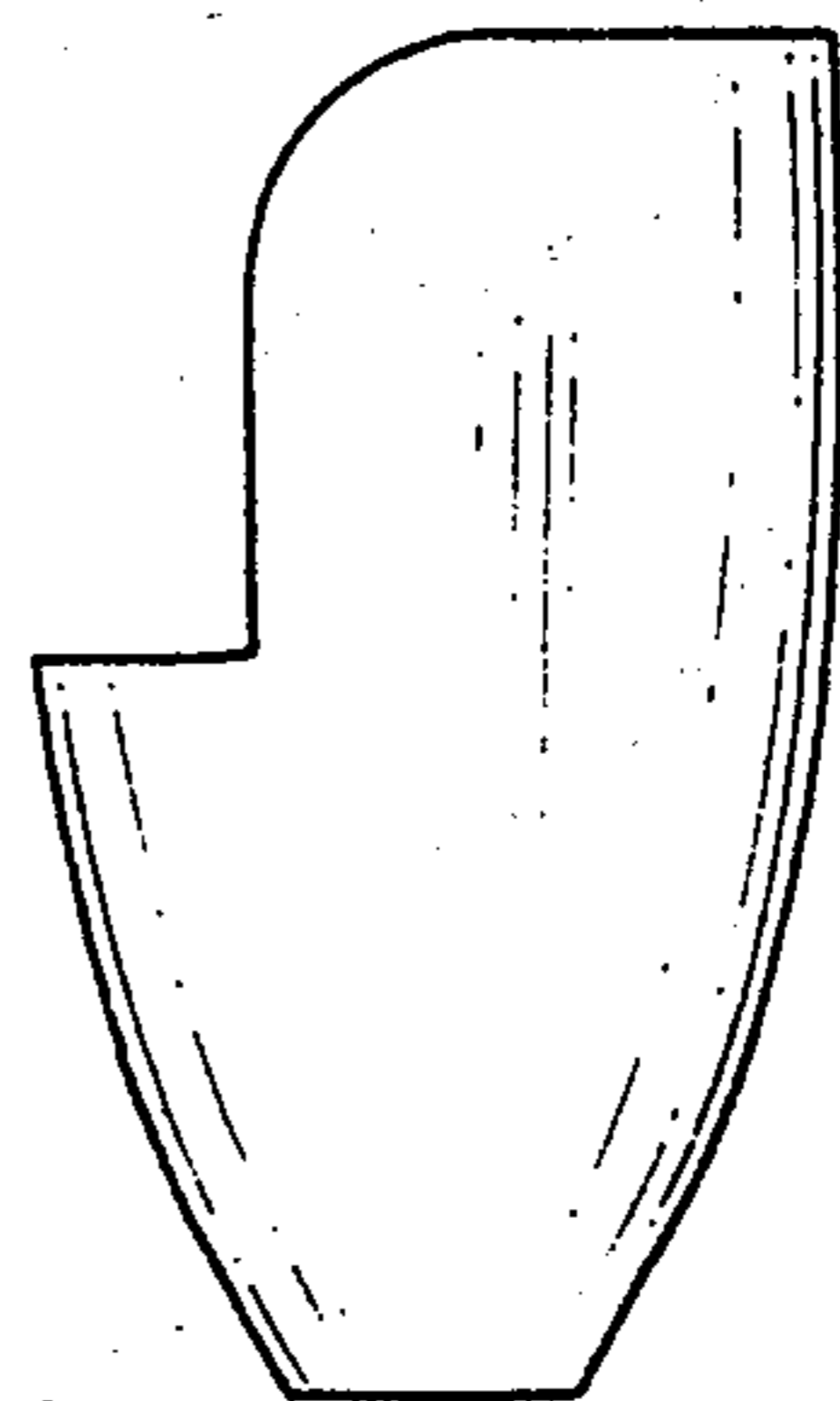


FIG-3-



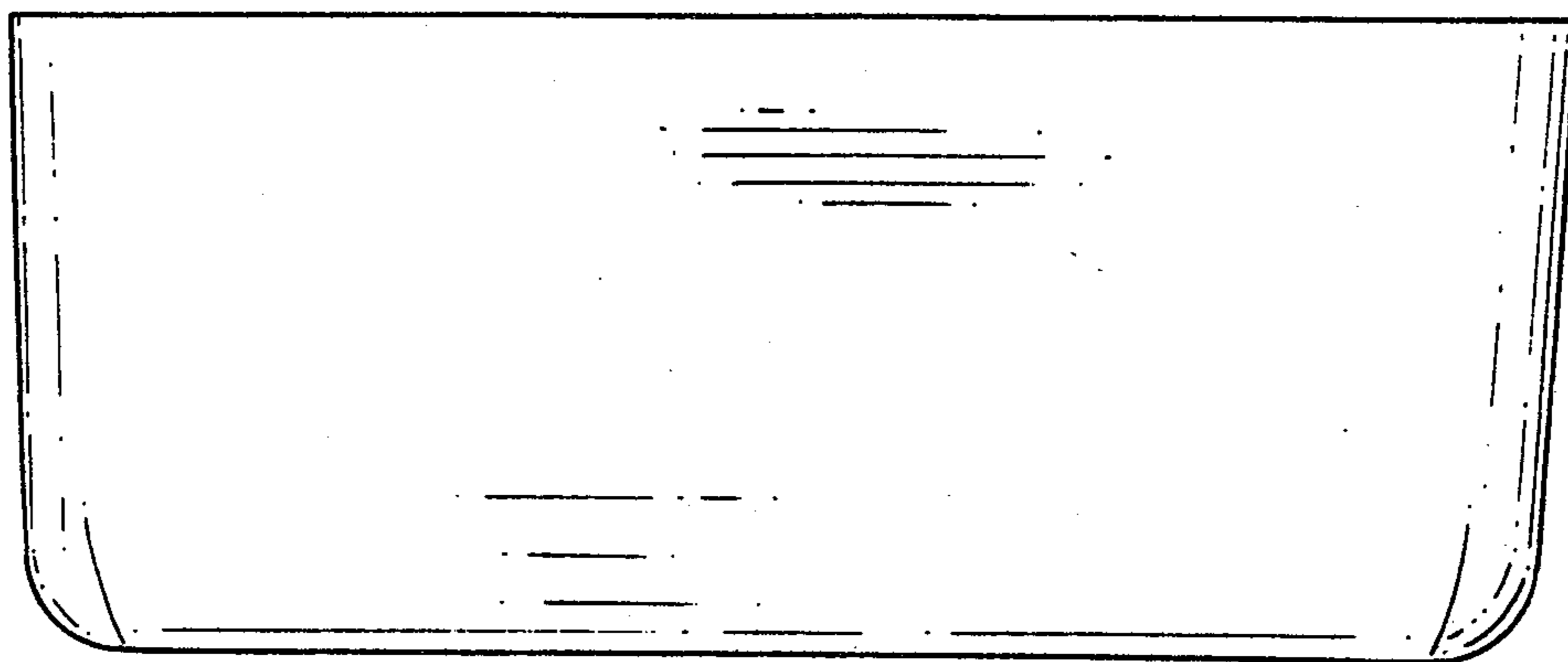


FIG. 5-

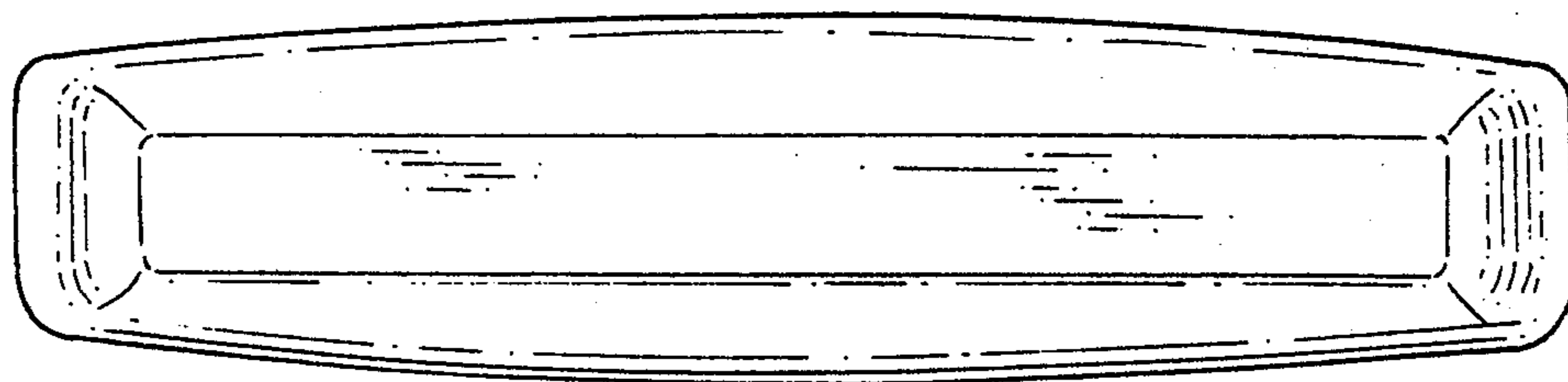


FIG. 6-

FIG. 7-

